



US00D588955S

(12) **United States Design Patent**
Green, Jr.

(10) **Patent No.:** **US D588,955 S**
(45) **Date of Patent:** **** Mar. 24, 2009**

(54) **HOOD FOR AN ARMORED VEHICLE**

(75) Inventor: **Paul C. Green, Jr.**, Mt. Pleasant, SC
(US)

(73) Assignee: **Force Protection Technologies, Inc.**,
Ladson, SC (US)

(**) Term: **14 Years**

(21) Appl. No.: **29/287,484**

(22) Filed: **Aug. 14, 2007**

(51) **LOC (9) Cl.** **12-13**

(52) **U.S. Cl.** **D12/14; D12/173**

(58) **Field of Classification Search** D12/86-89,
D12/12, 91, 92, 1-4, 98-100, 184, 13, 82,
D12/84, 85, 93, 95, 101, 106, 122, 400, 414,
D12/164, 163, 167, 168, 169, 172, 173, 181,
D12/202, 196; D21/533, 539, 548-552,
D21/557-60, 579, 580-583, 442, 436, 447,
D21/560, 86, 91; 180/232, 242, 89.12, 449;
410/57; 89/36.8, 35.09, 37.03, 38, 40.03,
89/36 F, 36 H, 4 B, 36.1, 36.13; 446/471,
446/487; 296/181.3, 1.01, 183, 24.1, 37.6,
296/185, 186, 204, 186.1; 280/838, 839

See application file for complete search history.

(56) **References Cited**

U.S. PATENT DOCUMENTS

4,242,951 A * 1/1981 Bemiss 454/146
D270,526 S * 9/1983 Legueu D12/12
D315,327 S * 3/1991 Tisten et al. D12/173
D323,305 S * 1/1992 Smith D12/12
D427,119 S * 6/2000 Sousamian D12/163
D474,716 S * 5/2003 Wakao D12/91
D476,273 S * 6/2003 Hill et al. D12/173

D484,438 S * 12/2003 Knoth et al. D12/12
D488,749 S * 4/2004 Ikuma et al. D12/169
D493,753 S * 8/2004 Metros et al. D12/173
D510,305 S * 10/2005 Chiang D12/173
D518,761 S * 4/2006 Chiang D12/173
D520,418 S * 5/2006 Platto et al. D12/173
D538,210 S * 3/2007 Pfeiffer D12/173
D541,198 S * 4/2007 Levy D12/173
D548,646 S * 8/2007 Green et al. D12/12
D548,647 S * 8/2007 Green et al. D12/12
D548,651 S * 8/2007 Chiang D12/173
D552,507 S * 10/2007 Hammick D12/12
D556,090 S * 11/2007 Hammick D12/12
D563,272 S * 3/2008 Hammick et al. D12/12
D563,293 S * 3/2008 Pfeiffer D12/173
D570,753 S * 6/2008 Sato et al. D12/173

* cited by examiner

Primary Examiner—T. Chase Nelson

Assistant Examiner—Ania K Dworzecka

(74) *Attorney, Agent, or Firm*—Finnegan, Henderson,
Farabow, Garrett & Dunner, L.L.P.

(57) **CLAIM**

The ornamental design for a hood for an armored vehicle, as shown and described.

DESCRIPTION

FIG. 1 is front perspective view of a hood for an armored vehicle of my new design;

FIG. 2 is a left side view thereof;

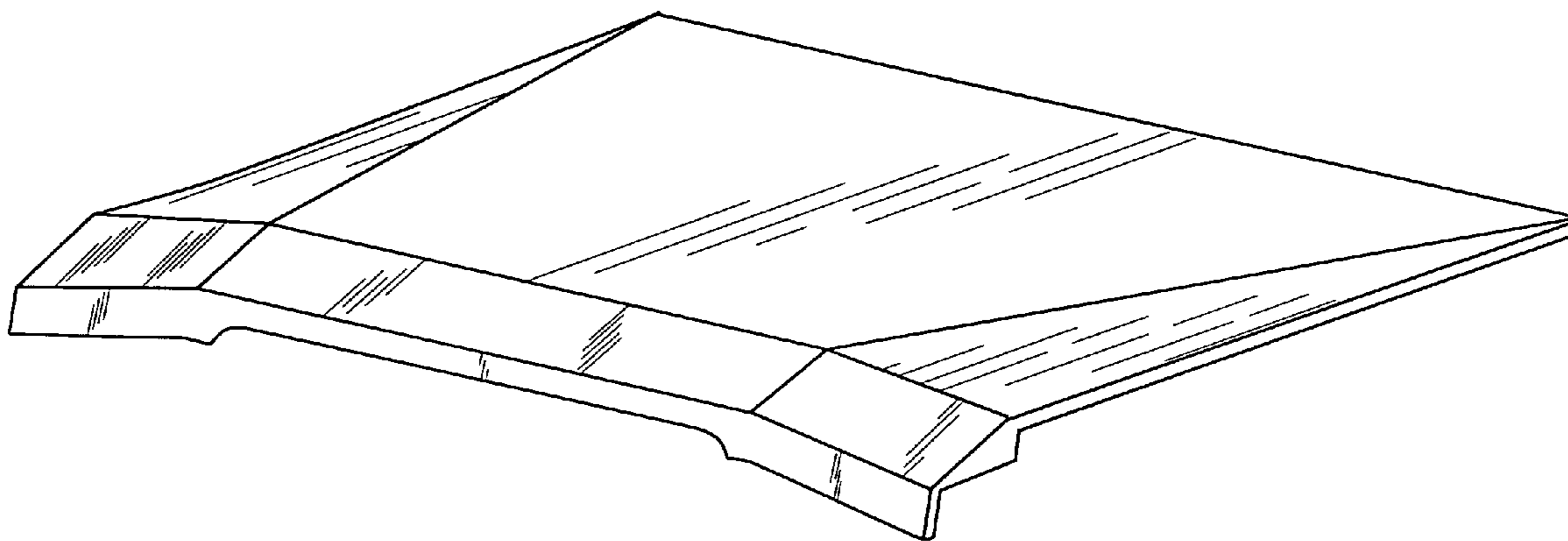
FIG. 3 is a right side view thereof;

FIG. 4 is a front view thereof;

FIG. 5 is a rear view thereof; and,

FIG. 6 is a top plan view thereof.

1 Claim, 4 Drawing Sheets



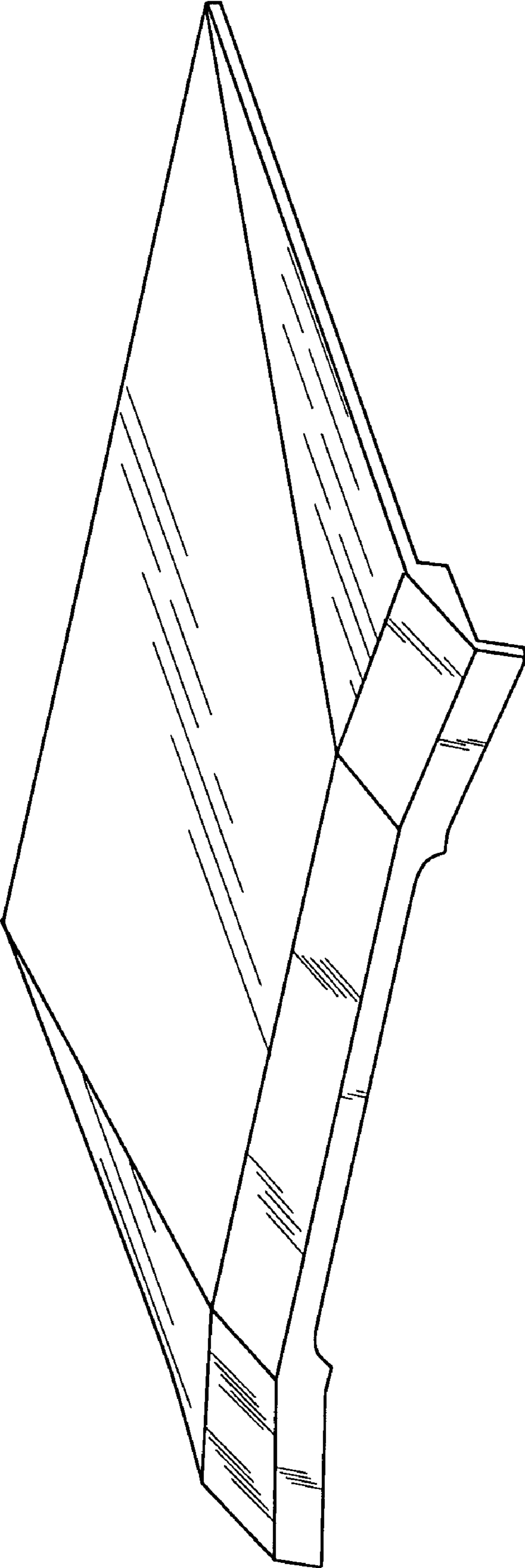


FIG. 1

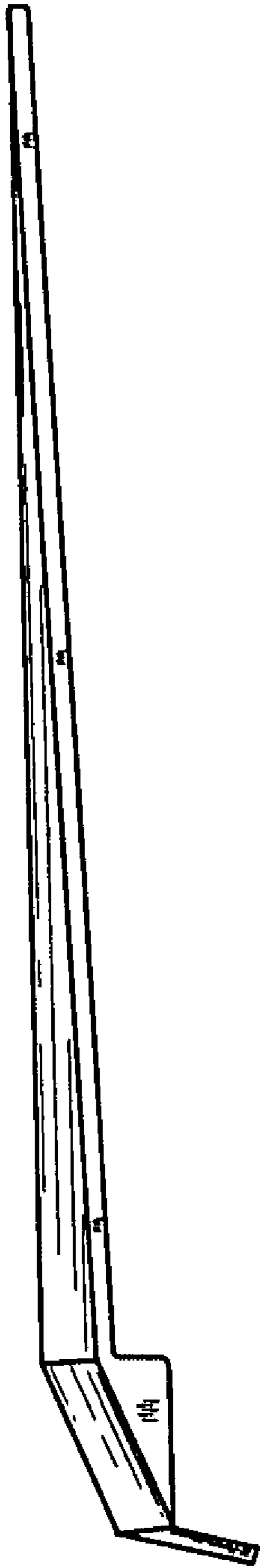


FIG. 2



FIG. 3

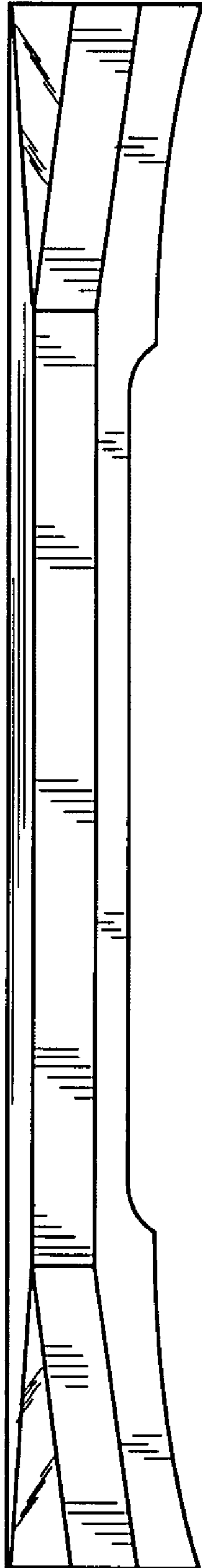


FIG. 4

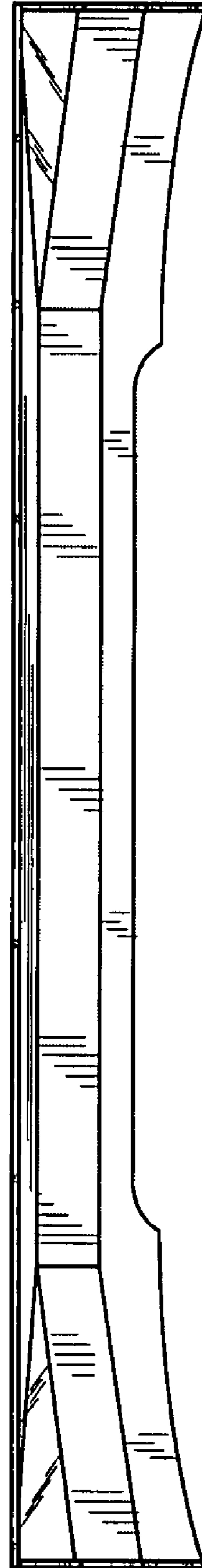


FIG. 5

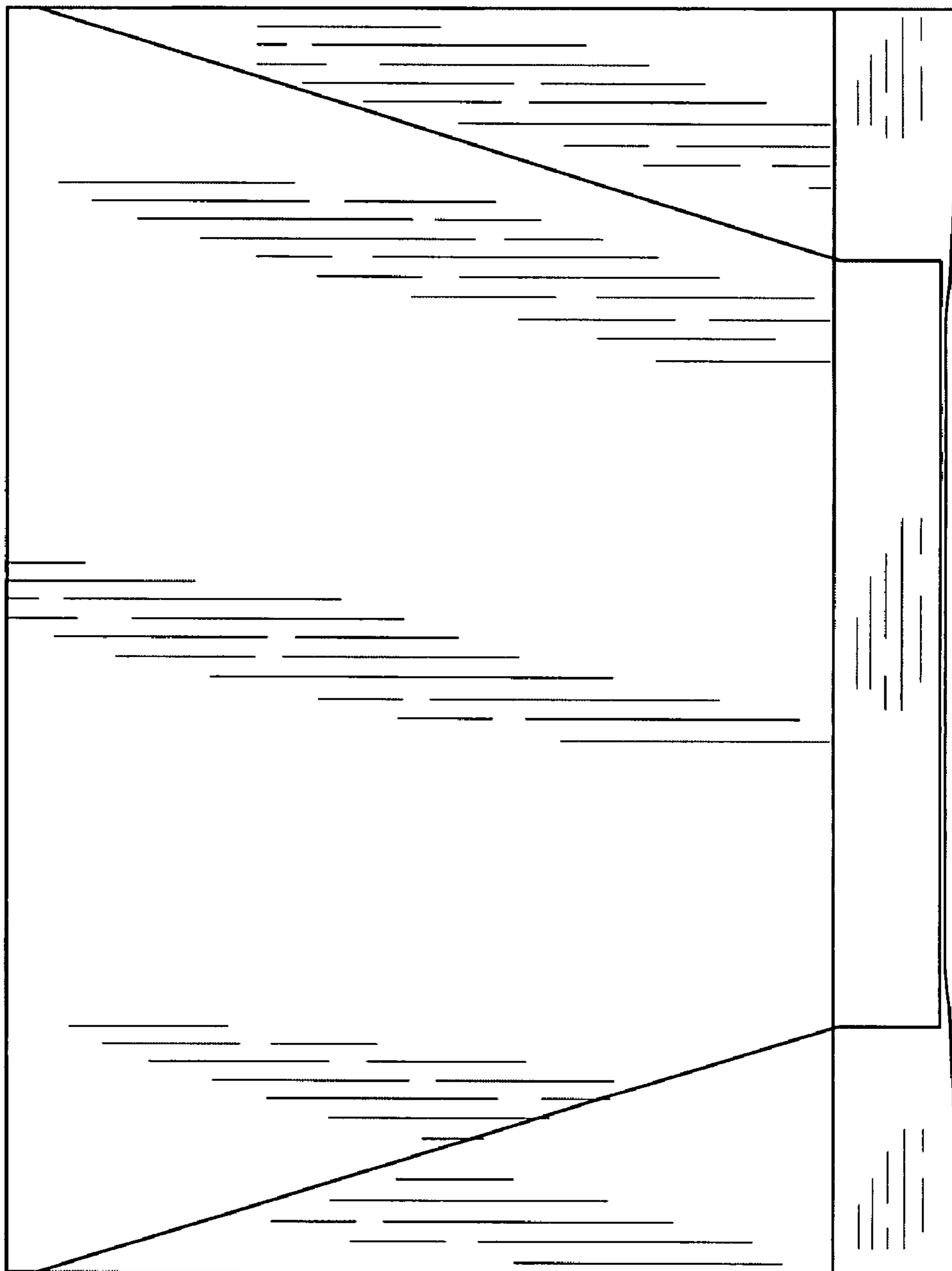


FIG. 6