



US00D588954S

(12) **United States Design Patent**
Hammick

(10) **Patent No.:** **US D588,954 S**
(45) **Date of Patent:** **** Mar. 24, 2009**

(54) **REAR FENDER FOR AN ARMORED VEHICLE**

(75) Inventor: **Murray P. Hammick**, Mt. Pleasant, SC (US)

(73) Assignee: **Force Protection Technologies, Inc.**, Ladson, SC (US)

(**) Term: **14 Years**

(21) Appl. No.: **29/287,483**

(22) Filed: **Aug. 14, 2007**

(51) **LOC (9) Cl.** **12-13**

(52) **U.S. Cl.** **D12/12; D12/181**

(58) **Field of Classification Search** D12/86-89, D12/12, 91, 92, 1-4, 98-100, 184, 13, 82, D12/84, 85, 93, 95, 101, 106, 122, 400, 414, D12/164, 163, 167, 168, 169, 172, 173, 181, D12/202, 196; D21/533, 539, 548-552, D21/557-60, 579, 580-583, 442, 436, 447, D21/560, 86, 91; 180/232, 242, 89.12, 449; 410/57; 89/36.8, 36.09, 37.03, 38, 40.03, 89/36 F, 36 H, 4 B, 36.1, 36.13; 446/471, 446/487; 296/181.3, 1.01, 183, 24.1, 37.6, 296/185, 186, 204, 186.1; 280/838, 839

See application file for complete search history.

(56) **References Cited**

U.S. PATENT DOCUMENTS

2,868,310 A * 1/1959 Lee 180/89.17
D245,000 S * 7/1977 Longeau D12/12
D253,763 S * 12/1979 Legueu D12/164
D270,526 S * 9/1983 Legueu D12/12
D272,524 S * 2/1984 Legueu D12/84

D287,112 S * 12/1986 Legueu D12/84
D315,535 S * 3/1991 Lockhart D12/12
D321,160 S * 10/1991 Kingsley D12/184
D393,436 S * 4/1998 Williams D12/173
6,076,949 A * 6/2000 Holdsworth et al. 362/500
D505,896 S * 6/2005 Devitt D12/184
D515,468 S * 2/2006 Inui et al. D12/107
D548,646 S * 8/2007 Green et al. D12/12
D548,647 S * 8/2007 Green et al. D12/12
D552,507 S * 10/2007 Hammick D12/12
D560,583 S * 1/2008 Simons et al. D12/196
D563,272 S * 3/2008 Hammick et al. D12/12
D573,507 S * 7/2008 Moushegian et al. D12/91

* cited by examiner

Primary Examiner—T. Chase Nelson

Assistant Examiner—Ania K Dworzecka

(74) *Attorney, Agent, or Firm*—Finnegan, Henderson, Farabow, Garrett & Dunner, L.L.P.

(57) **CLAIM**

The ornamental design for a rear fender for an armored vehicle, as shown and described.

DESCRIPTION

FIG. 1 is front perspective view of a rear fender for an armored vehicle of my new design;

FIG. 2 is a right side view thereof;

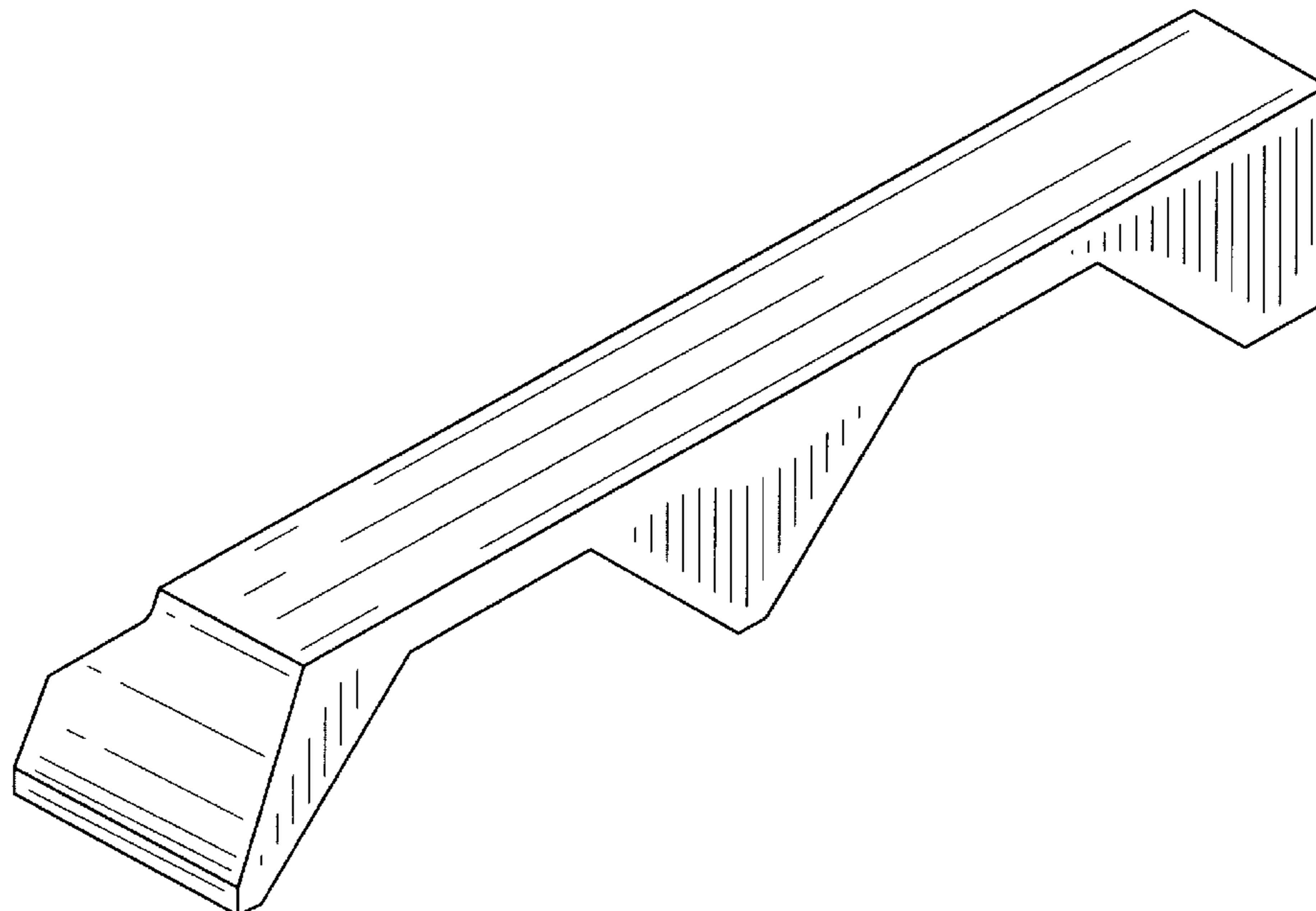
FIG. 3 is a front view thereof;

FIG. 4 is a rear view thereof; and,

FIG. 5 is a top plan view thereof.

The inside of the fender of my design forms no part of the claimed design. My design includes a mirror image of the embodiment depicted.

1 Claim, 4 Drawing Sheets



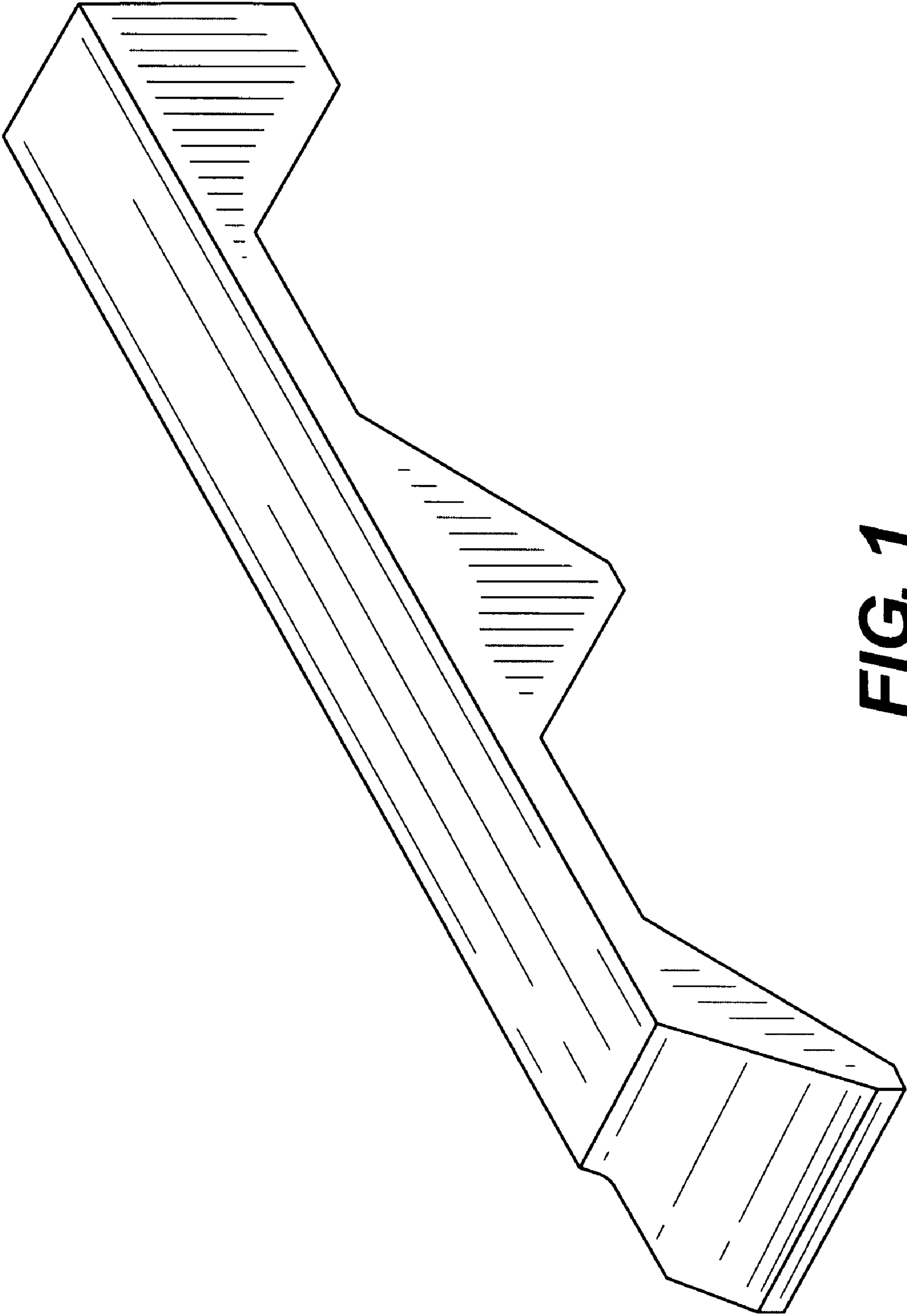


FIG. 1

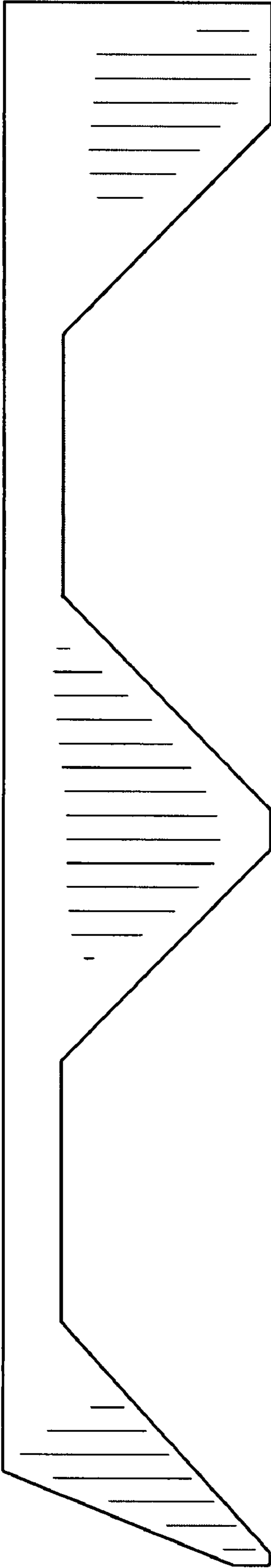


FIG. 2

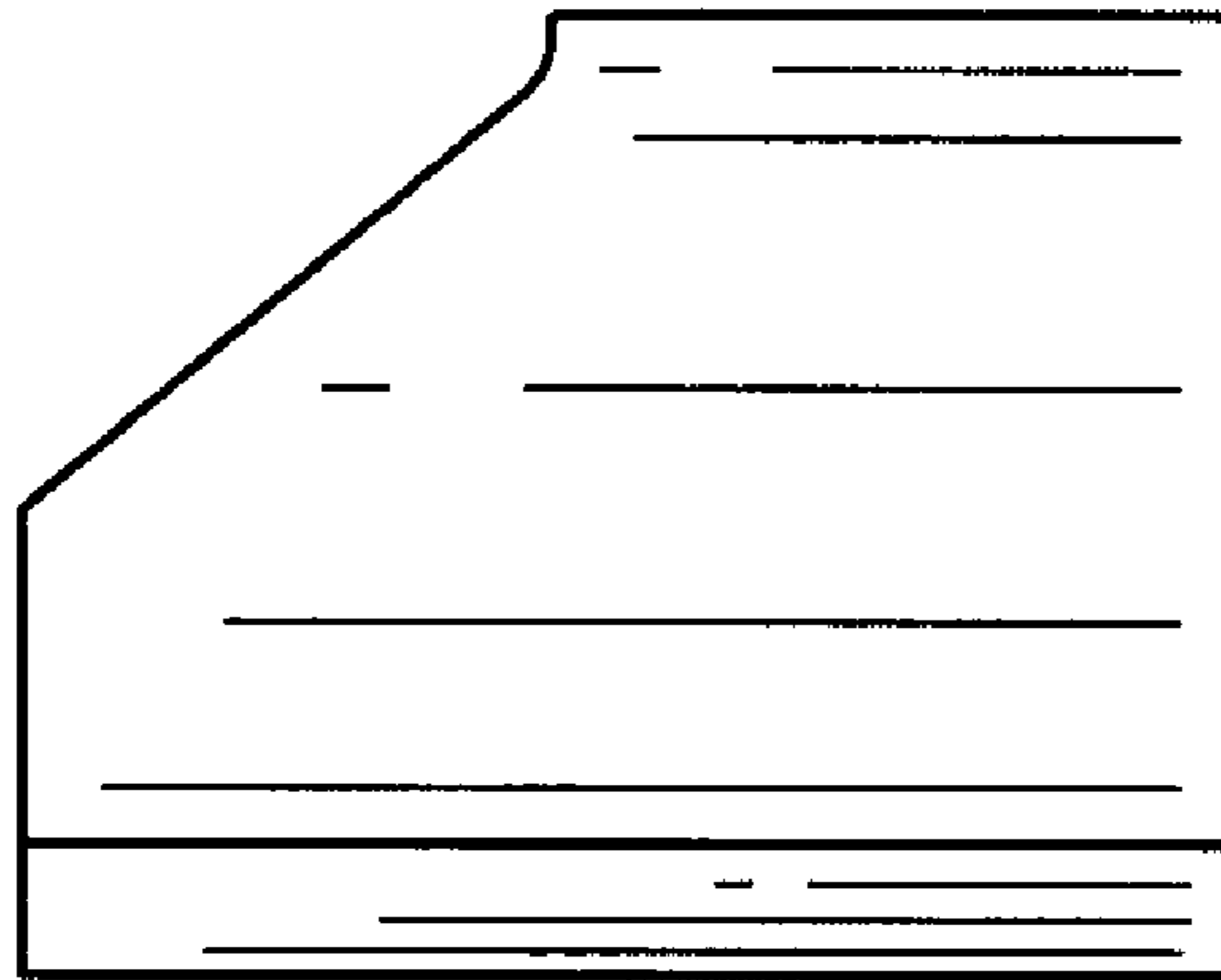


FIG. 3

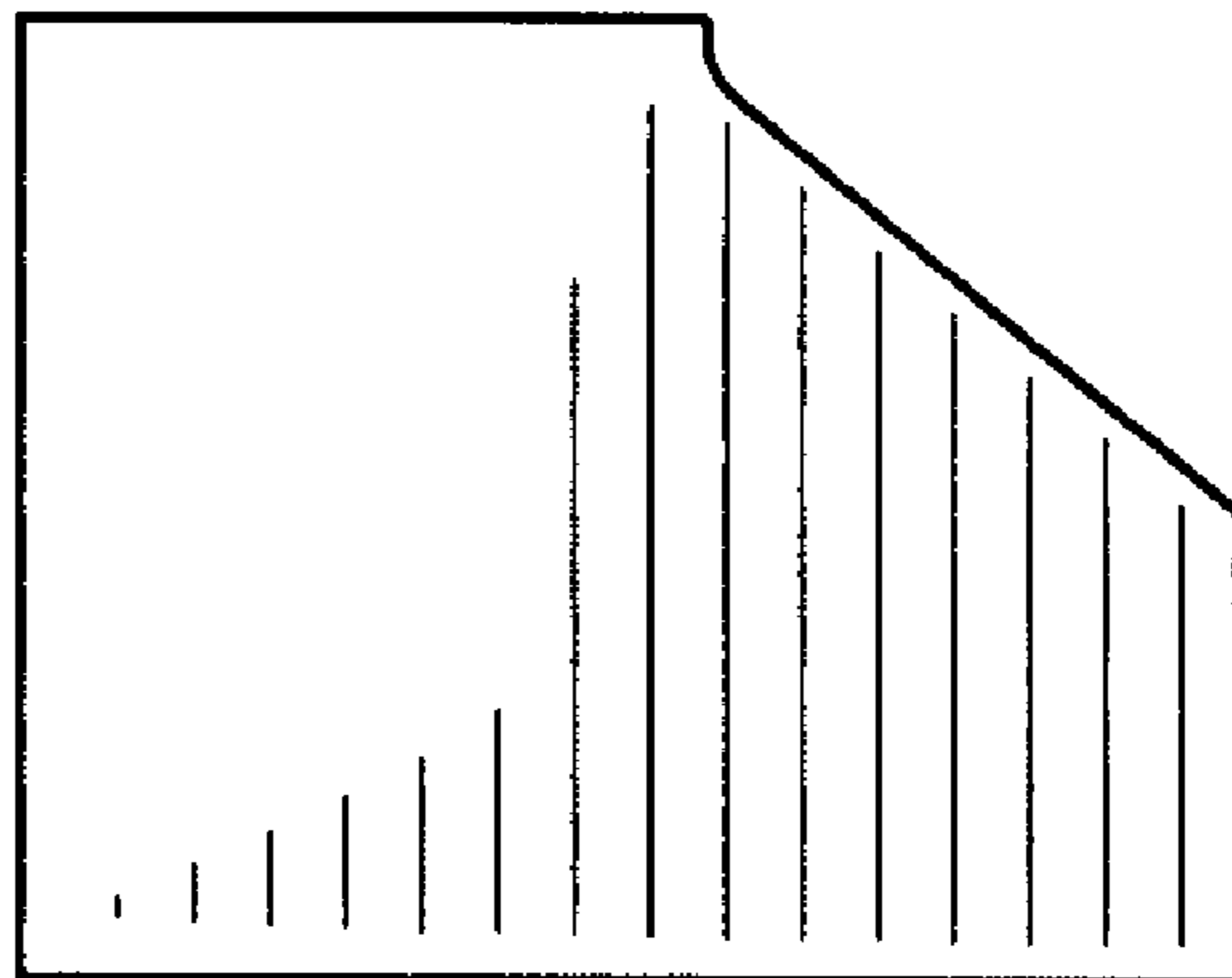


FIG. 4

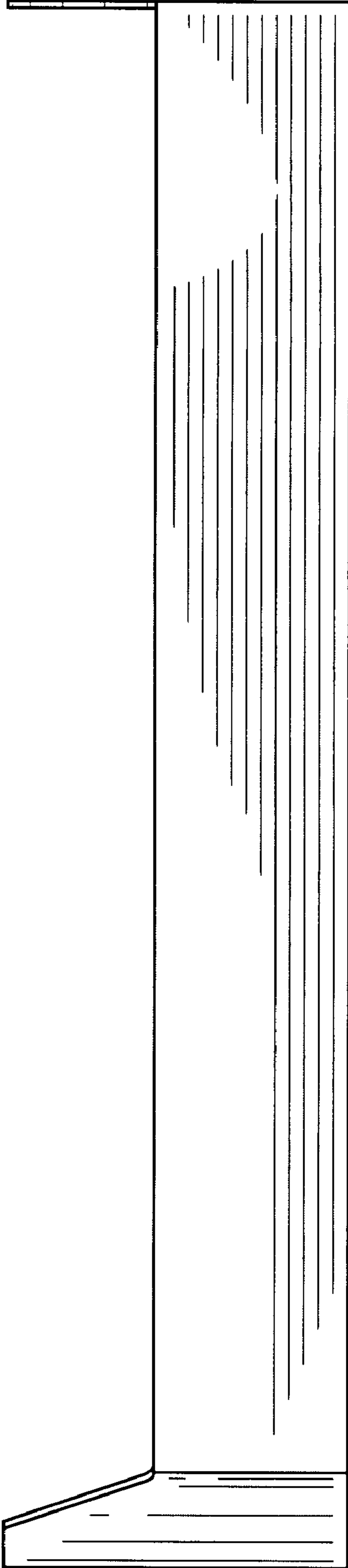


FIG. 5