



US00D588949S

(12) **United States Design Patent**
Ueda

(10) **Patent No.:** **US D588,949 S**
(45) **Date of Patent:** **** Mar. 24, 2009**

- (54) **SPEEDOMETER FOR A BICYCLE**
- (75) Inventor: **Takashi Ueda**, Osaka (JP)
- (73) Assignee: **CatEye Co., Ltd.**, Osaka (JP)
- (**) Term: **14 Years**
- (21) Appl. No.: **29/272,593**
- (22) Filed: **Feb. 12, 2007**
- (30) **Foreign Application Priority Data**
Aug. 29, 2006 (JP) 2006-022820
- (51) **LOC (9) Cl.** **10-04**
- (52) **U.S. Cl.** **D10/98**
- (58) **Field of Classification Search** D10/98;
73/490, 493, 514.39, 527; 235/95 R; 324/160-180,
324/207.13, 207.22, 207.25; 340/432; 702/145-148
See application file for complete search history.

JP	D1204310	5/2004
JP	D1241545	6/2005
JP	D1270216	5/2006
JP	D1300620	5/2007
TW	568529	12/2003
TW	D104499	5/2005
TW	D109594	3/2006

* cited by examiner

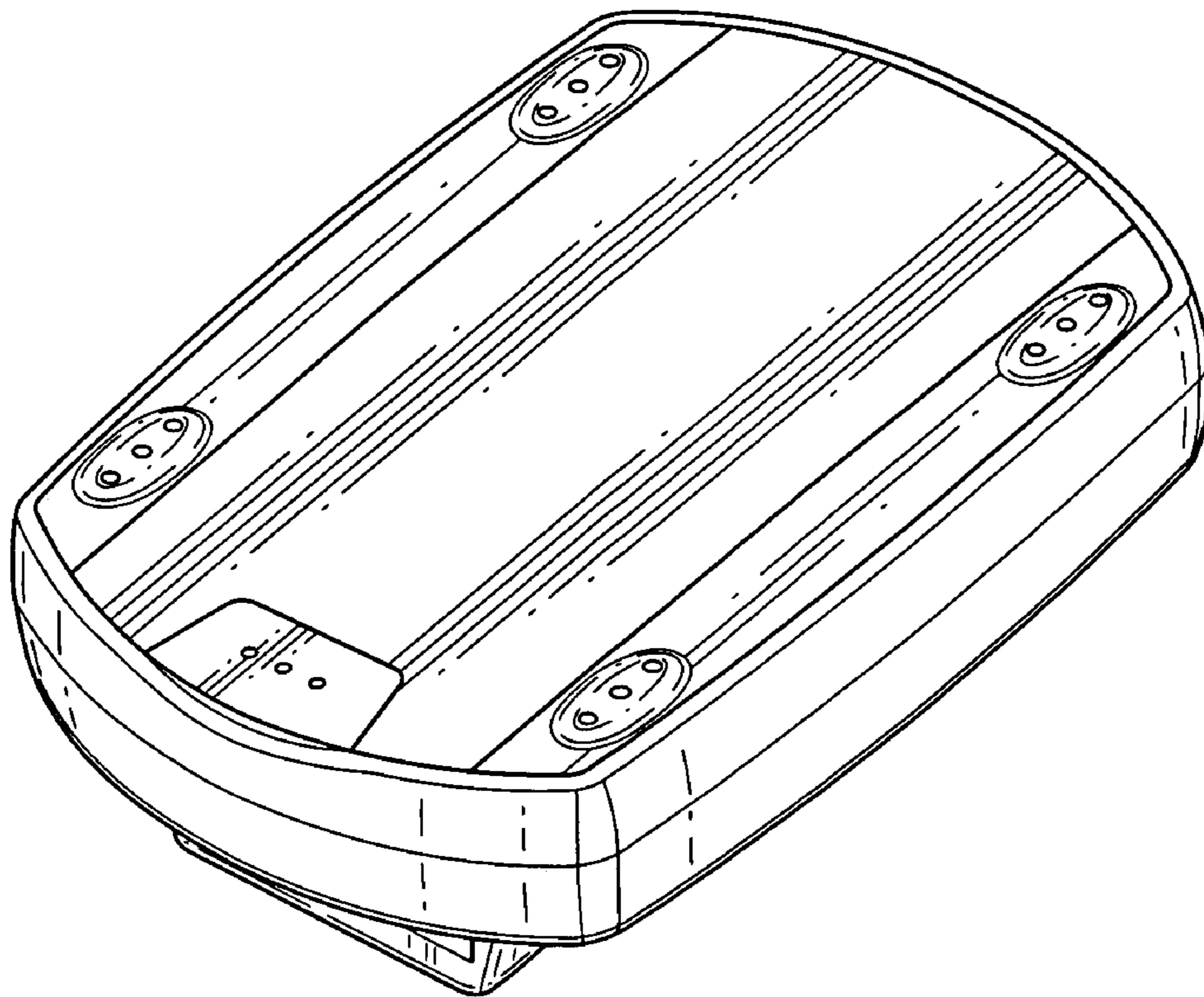
Primary Examiner—Antoine D. Davis
(74) *Attorney, Agent, or Firm*—Olson & Cepuritis, Ltd.

- (56) **References Cited**
U.S. PATENT DOCUMENTS
D486,410 S 2/2004 Ueda
D522,394 S * 6/2006 Okuda et al. D10/98
D522,896 S * 6/2006 Okuda et al. D10/98
FOREIGN PATENT DOCUMENTS
JP D1178726 7/2003

(57) **CLAIM**
The ornamental design for a speedometer for a bicycle, as shown.

DESCRIPTION
FIG. 1 is a perspective view of a speedometer for a bicycle showing my new design;
FIG. 2 is a front view thereof;
FIG. 3 is a rear view thereof;
FIG. 4 is a top plan view thereof;
FIG. 5 is a bottom plan view thereof;
FIG. 6 is a right side view thereof; and,
FIG. 7 is a left side view thereof.

1 Claim, 5 Drawing Sheets



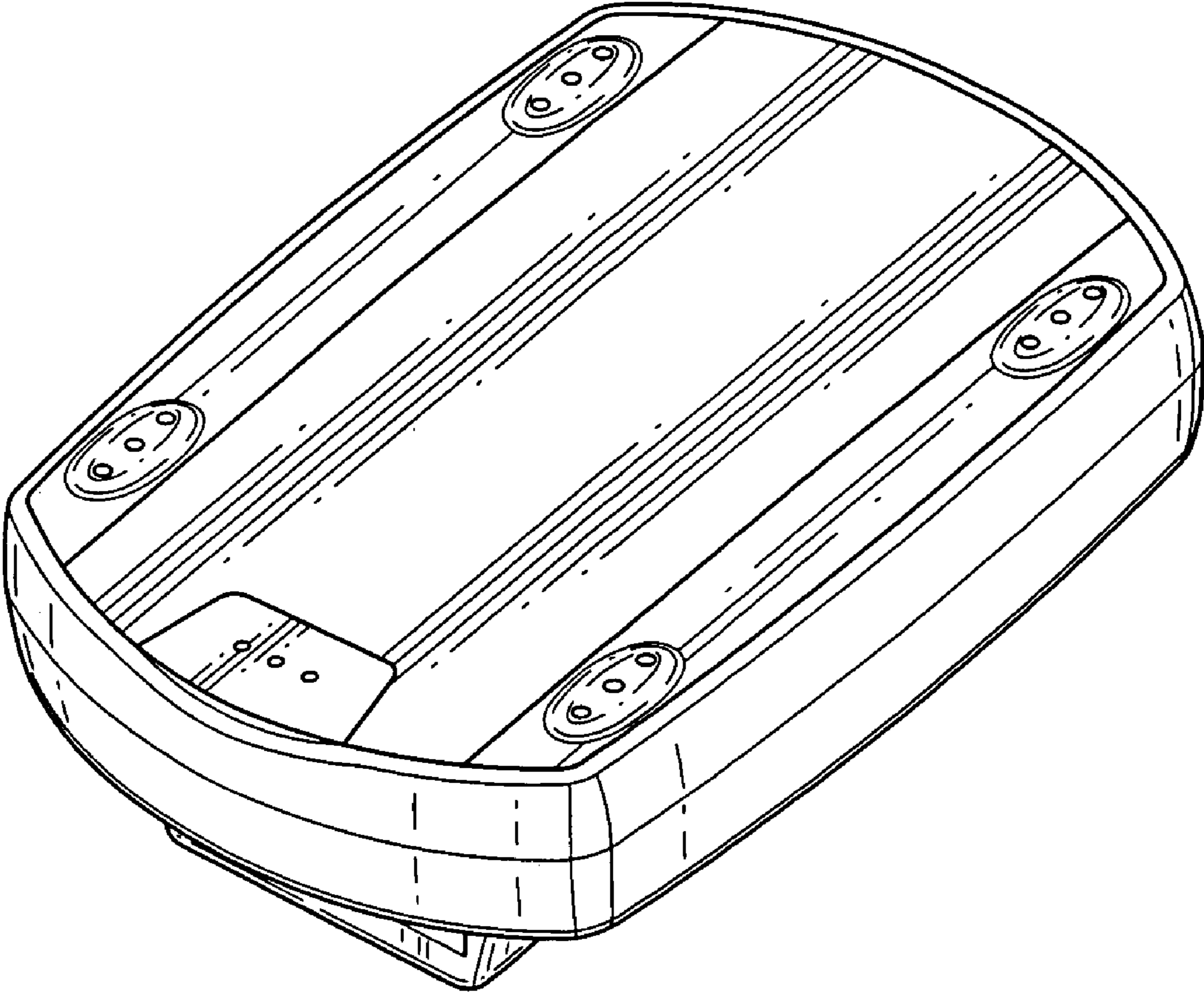


Fig. 1

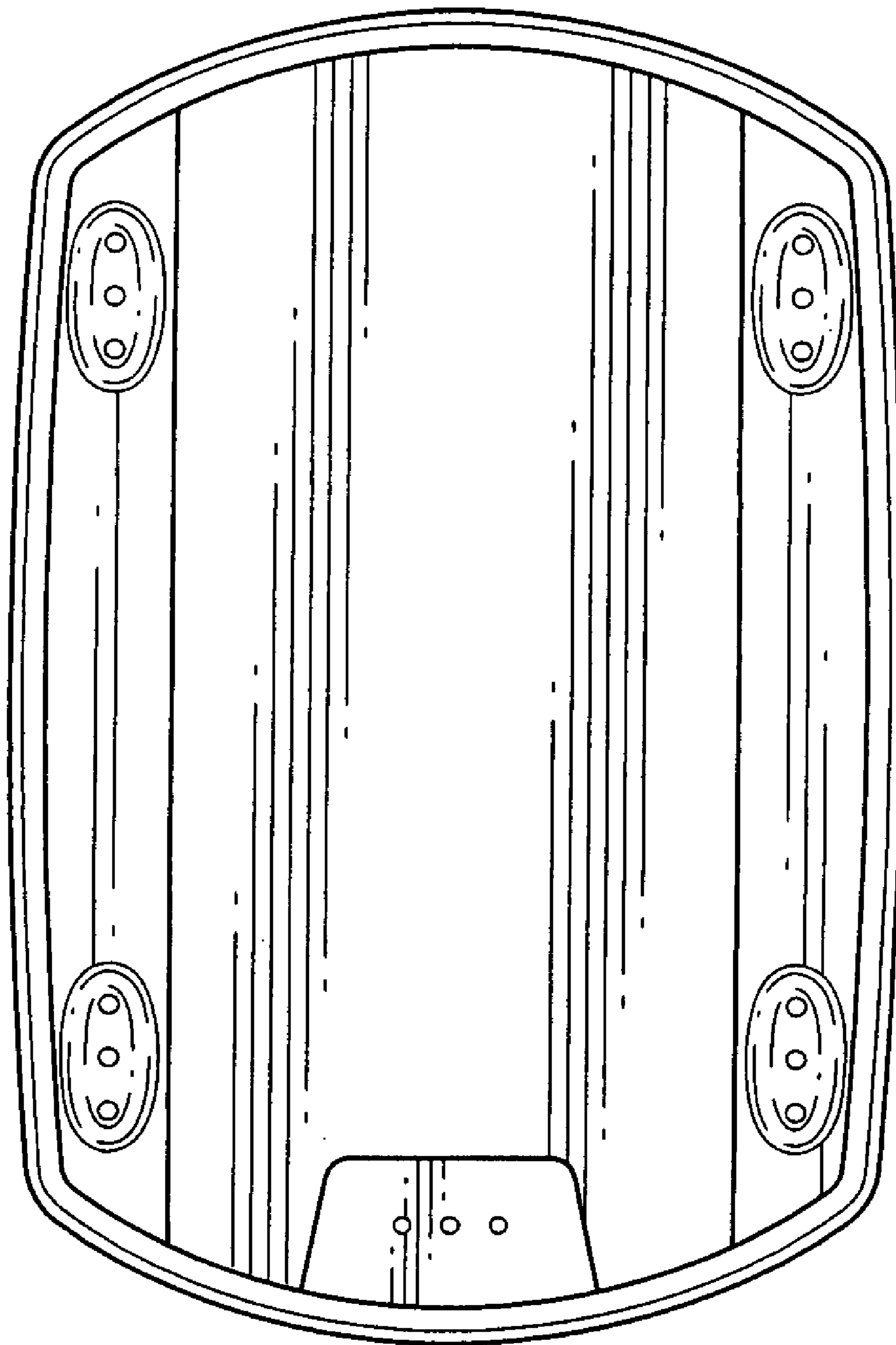


Fig. 2

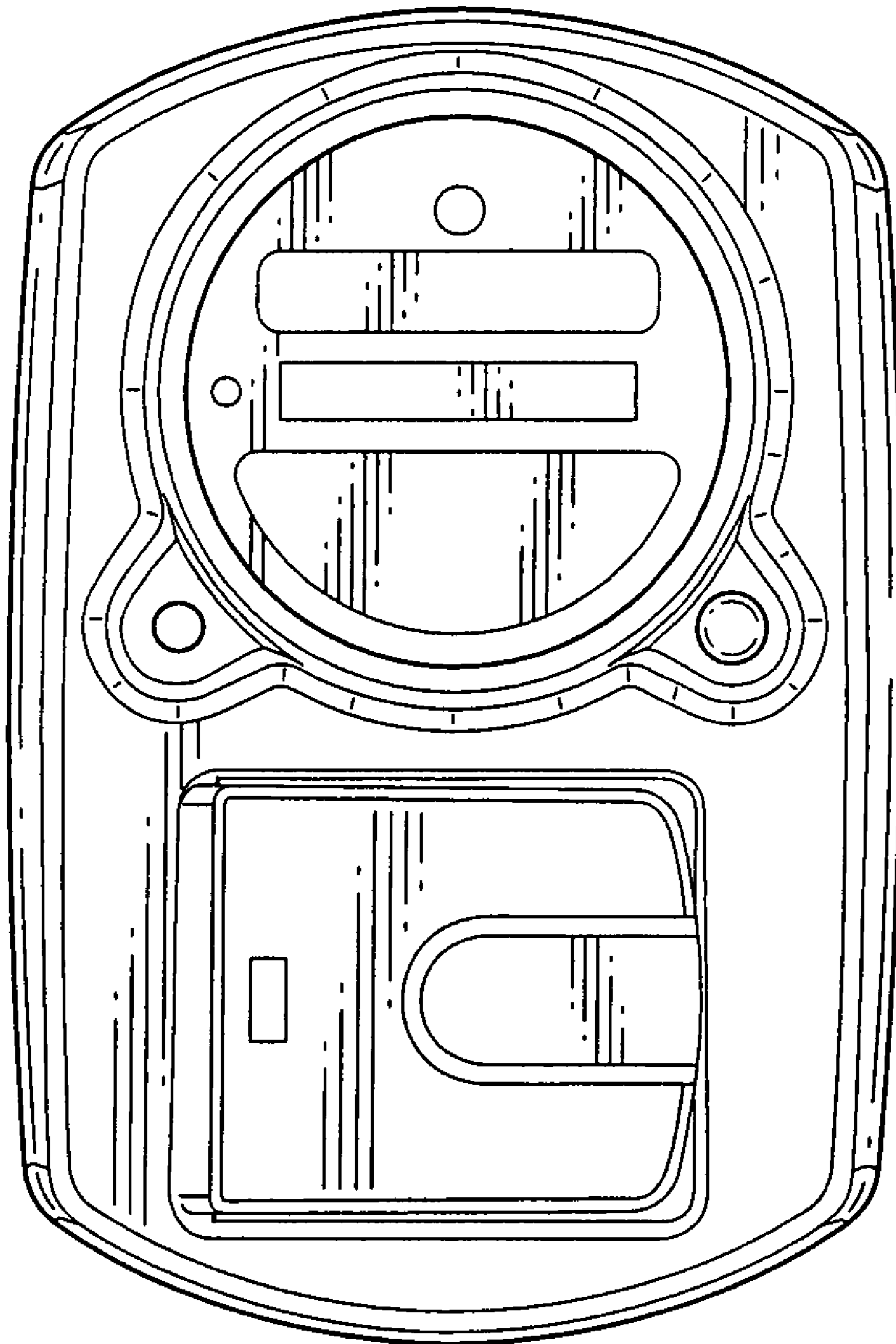


Fig. 3

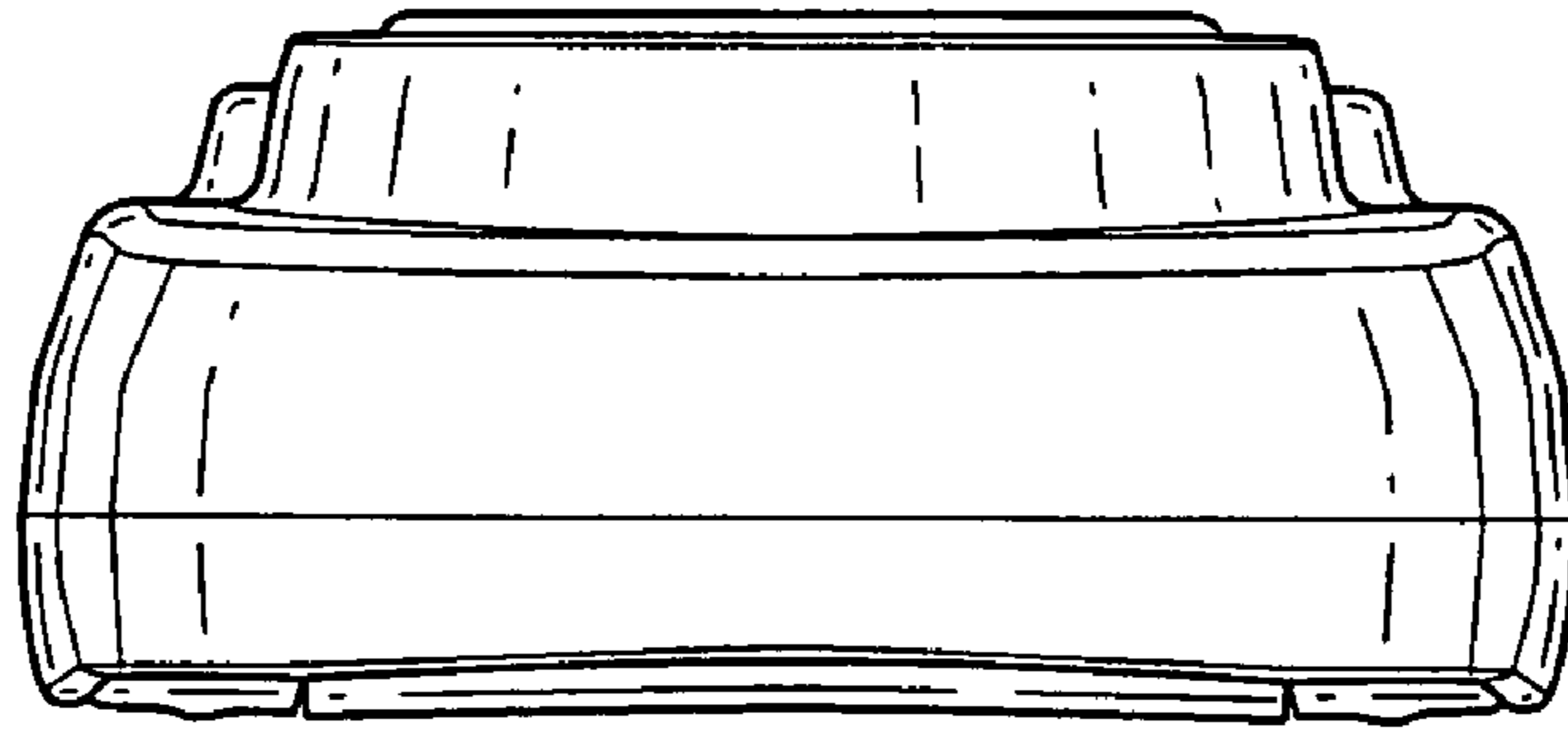


Fig. 4

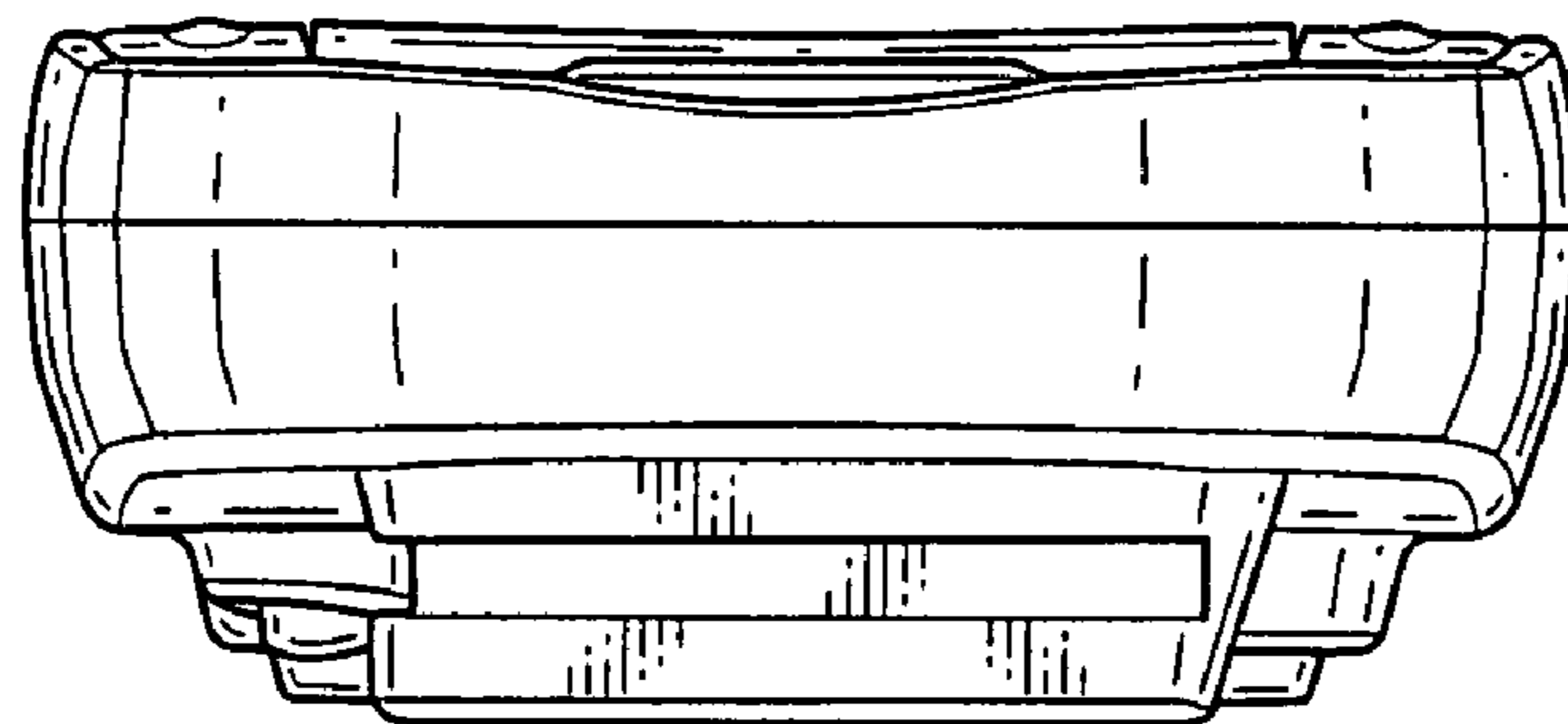


Fig. 5

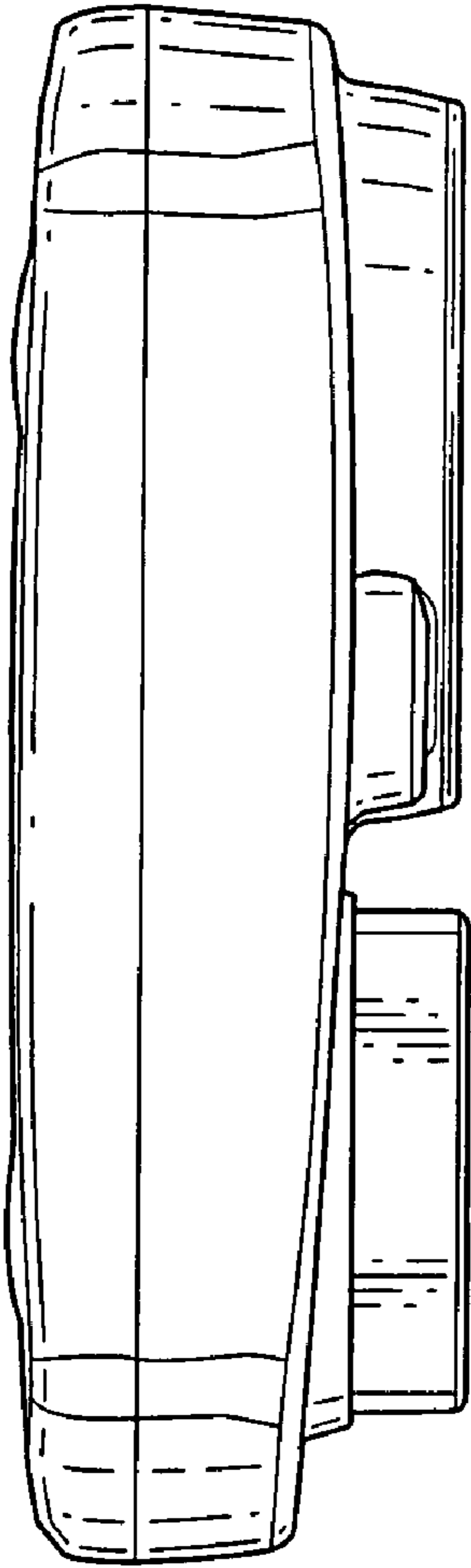


Fig. 6

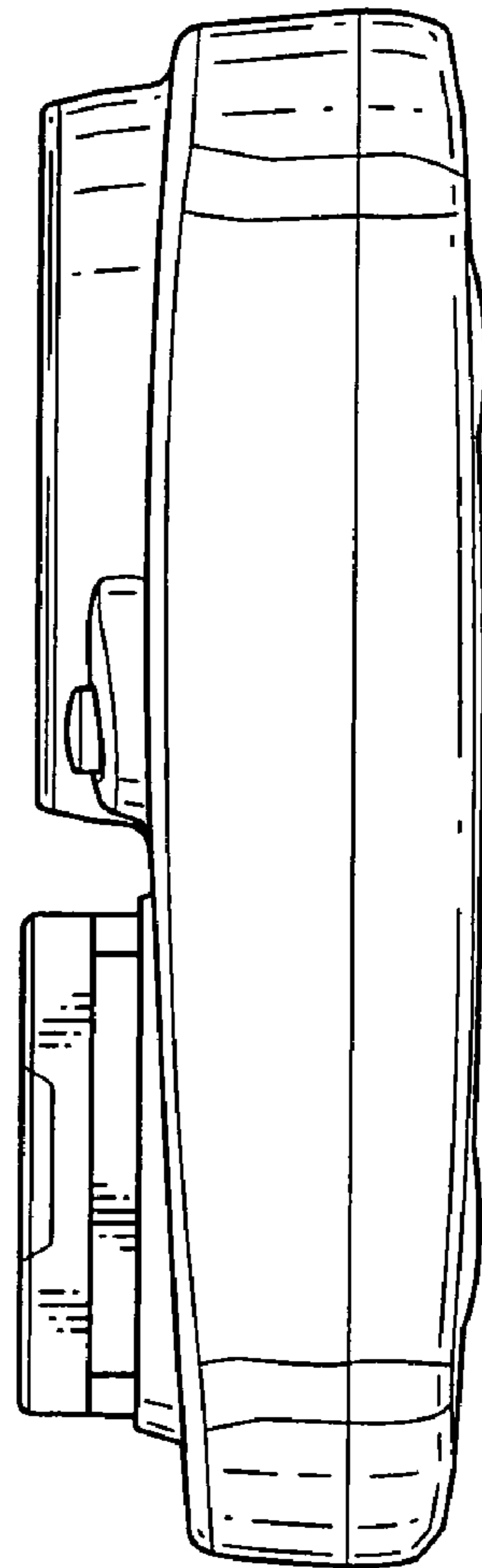


Fig. 7