



US00D588946S

(12) **United States Design Patent**  
**Huang**

(10) **Patent No.:** **US D588,946 S**

(45) **Date of Patent:** **\*\* Mar. 24, 2009**

(54) **TIRE TESTER**

6,600,326 B2 \* 7/2003 Weiss ..... 324/558

(76) Inventor: **Feng-Tsun Huang**, 5F-2, No. 181, Sec. 2, Mei Tsun Rd., South District, Taichung City (TW)

\* cited by examiner

*Primary Examiner*—Antoine D. Davis

(\*\*) Term: **14 Years**

(57) **CLAIM**

(21) Appl. No.: **29/252,750**

The ornamental design for a tire tester, as shown and described.

(22) Filed: **Jan. 27, 2006**

**DESCRIPTION**

(51) **LOC (9) Cl.** ..... **10-04**

(52) **U.S. Cl.** ..... **D10/46**

(58) **Field of Classification Search** ..... D10/46,  
D10/86; D15/199; 73/862.042–862.045,  
73/8, 45.6, 146, 600, 618, 709, 732; 152/209.1,  
152/531, 532; 324/558

See application file for complete search history.

FIG. 1 is a perspective view of a tire tester showing my new design,

FIG. 2 is a front elevational view thereof;

FIG. 3 is a rear elevational view thereof;

FIG. 4 is a left side view thereof;

FIG. 5 is a right side view thereof;

FIG. 6 is a top plan view thereof;

FIG. 7 is a bottom plan view thereof; and,

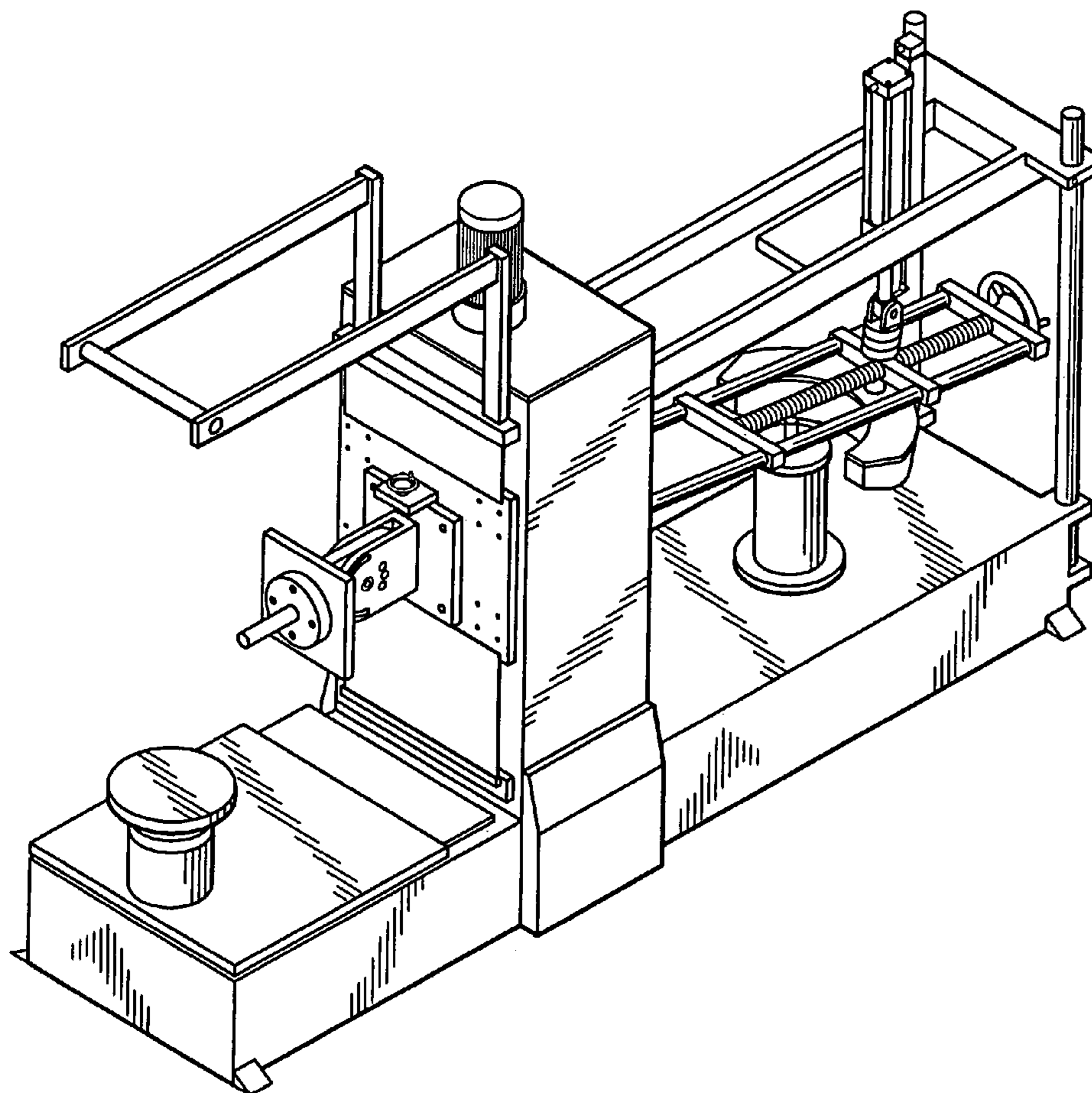
FIG. 8 shows one application of the present invention, where those indicated by dashed lines are not claimed in the present invention.

(56) **References Cited**

**U.S. PATENT DOCUMENTS**

- D244,601 S \* 6/1977 Cunningham et al. .... D15/199
- 4,344,324 A \* 8/1982 Langer ..... 73/146
- D269,879 S \* 7/1983 Holladay et al. .... D15/199
- 6,269,688 B1 \* 8/2001 Kroll et al. .... 73/146

**1 Claim, 6 Drawing Sheets**



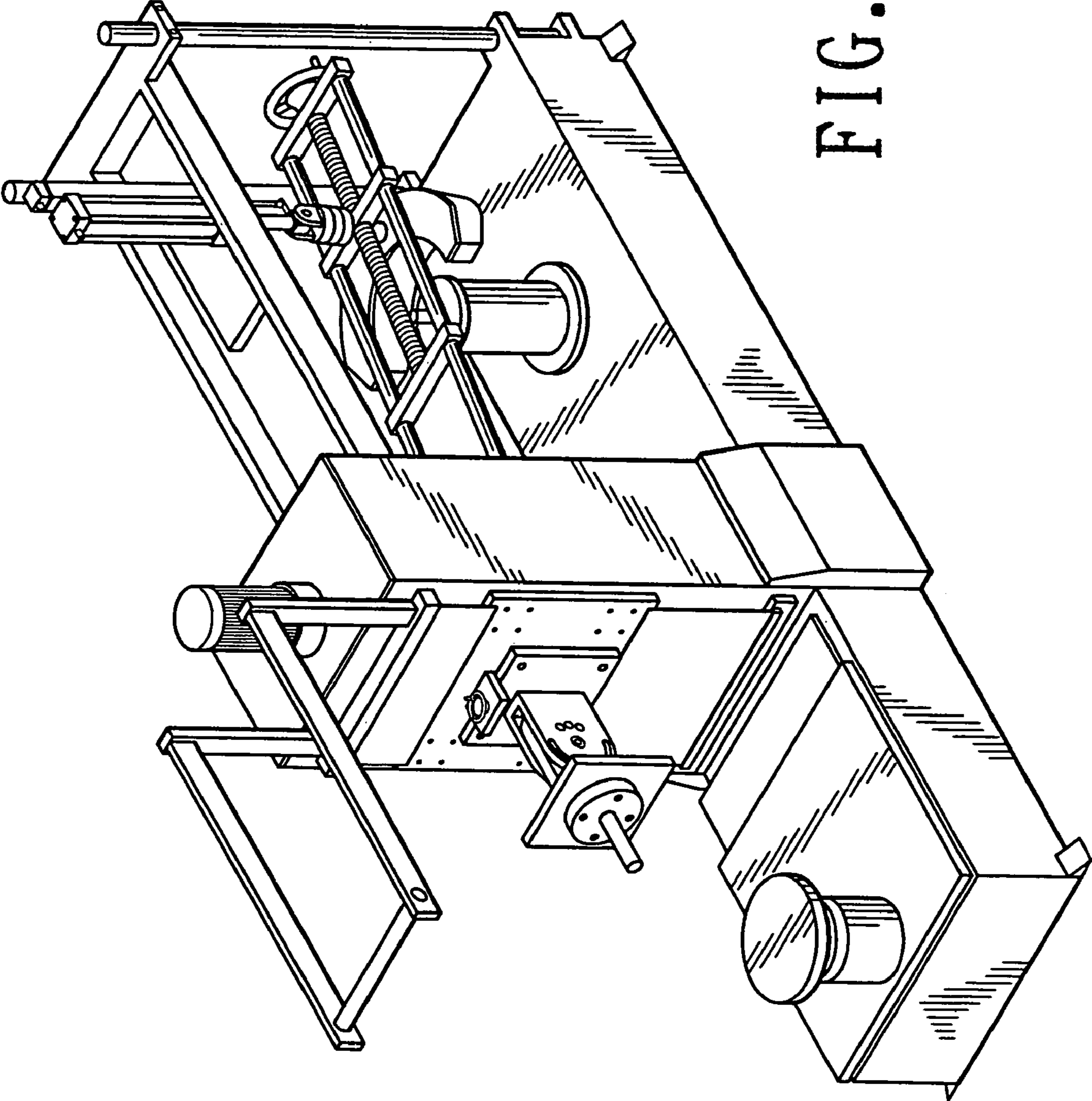


FIG. 1

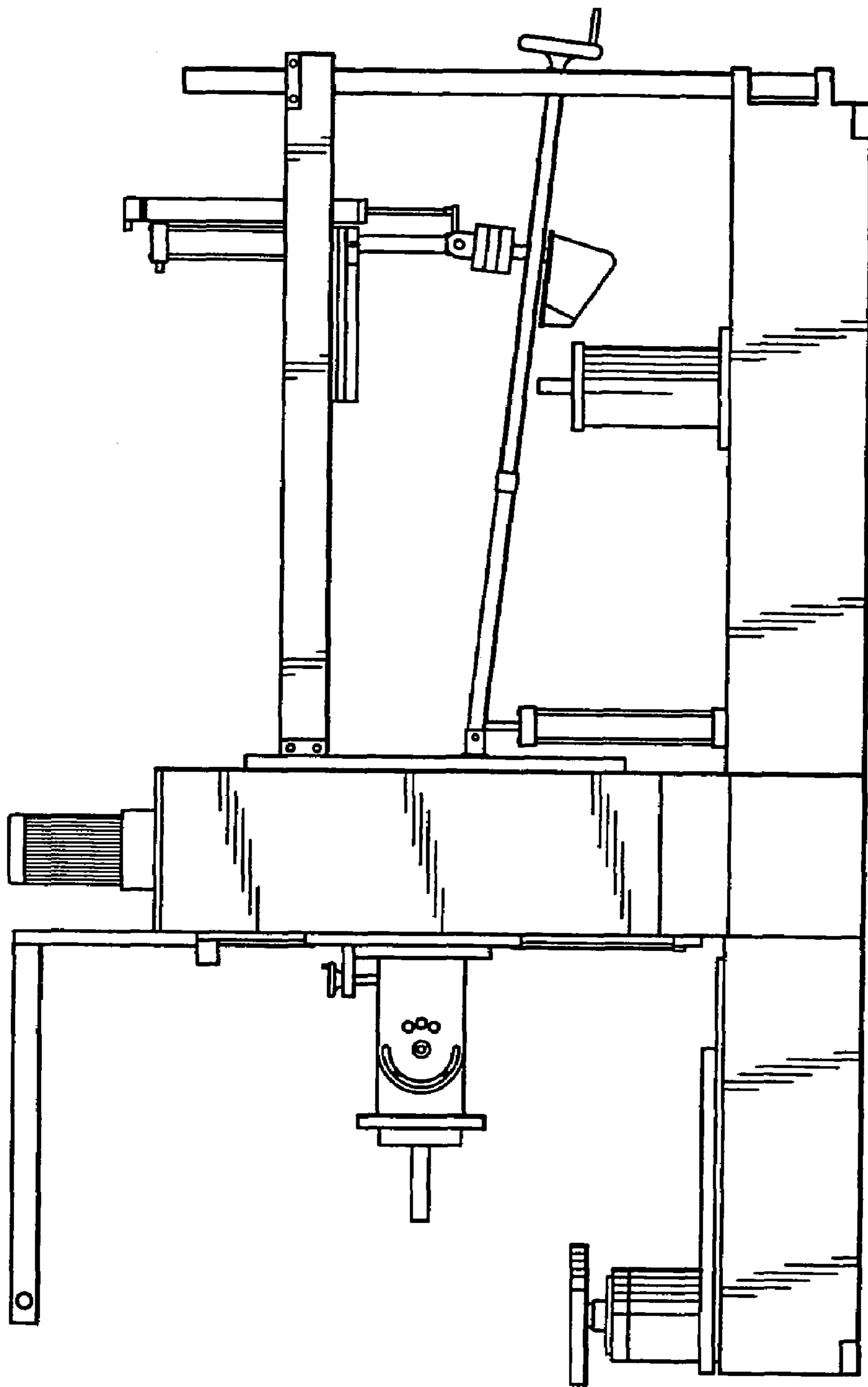


FIG. 2

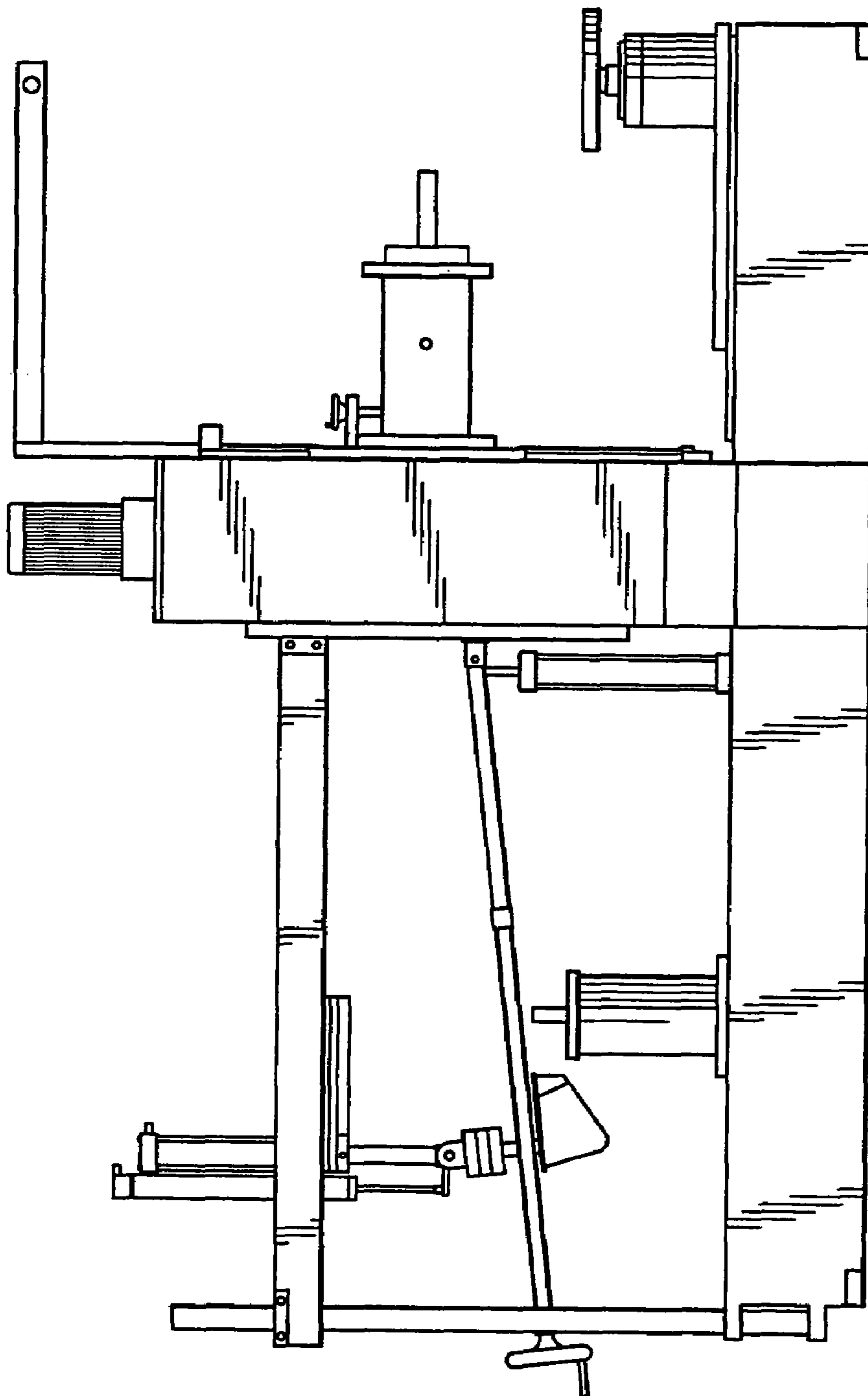


FIG. 3

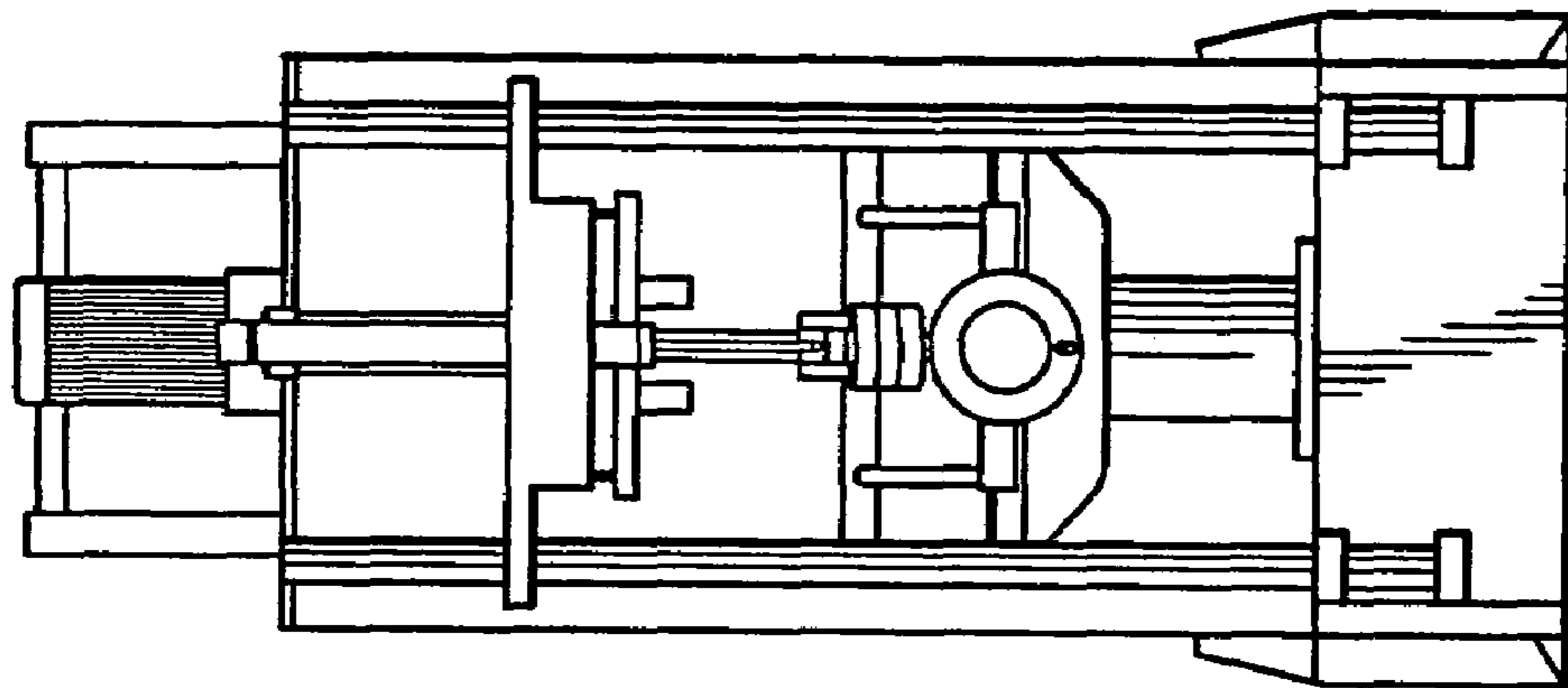


FIG. 4

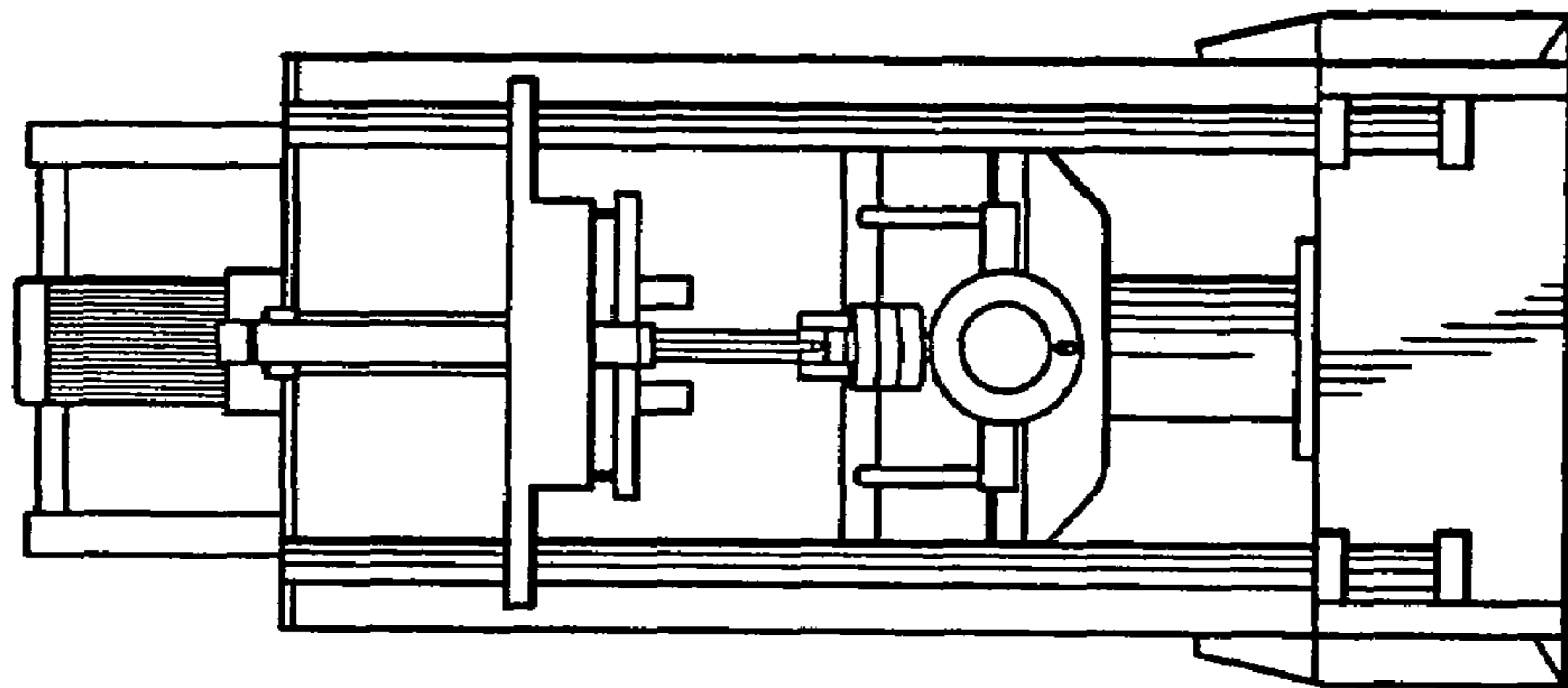


FIG. 5

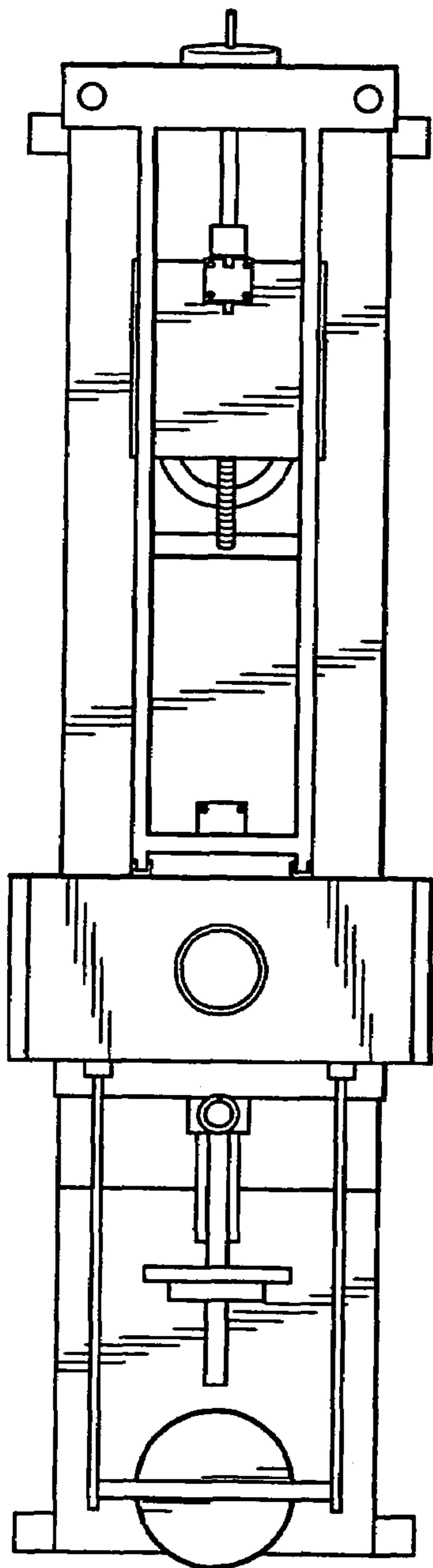


FIG. 6

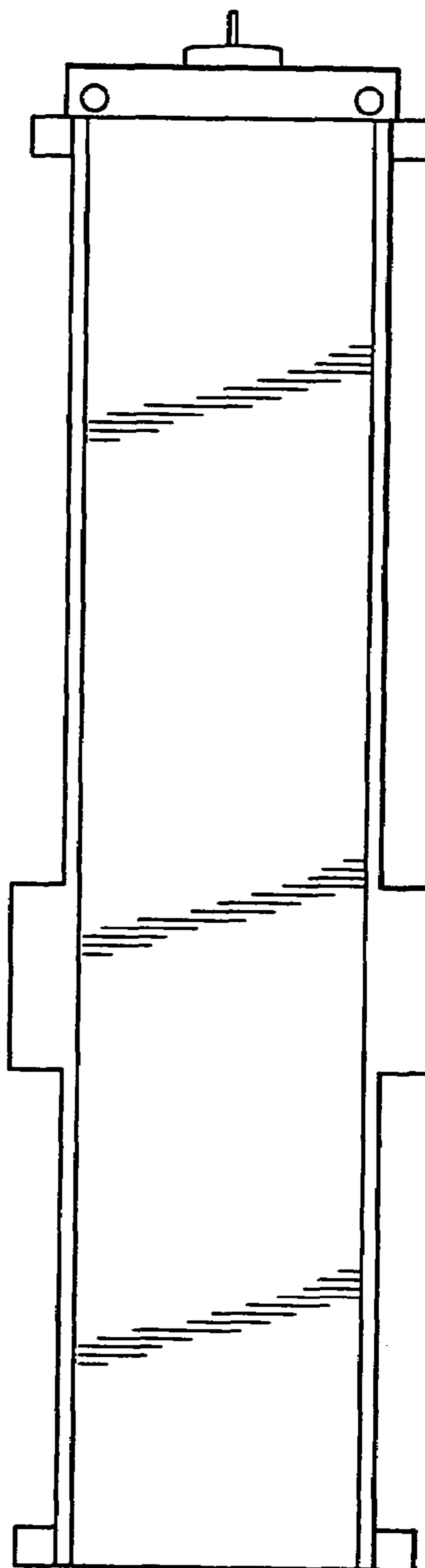


FIG. 7

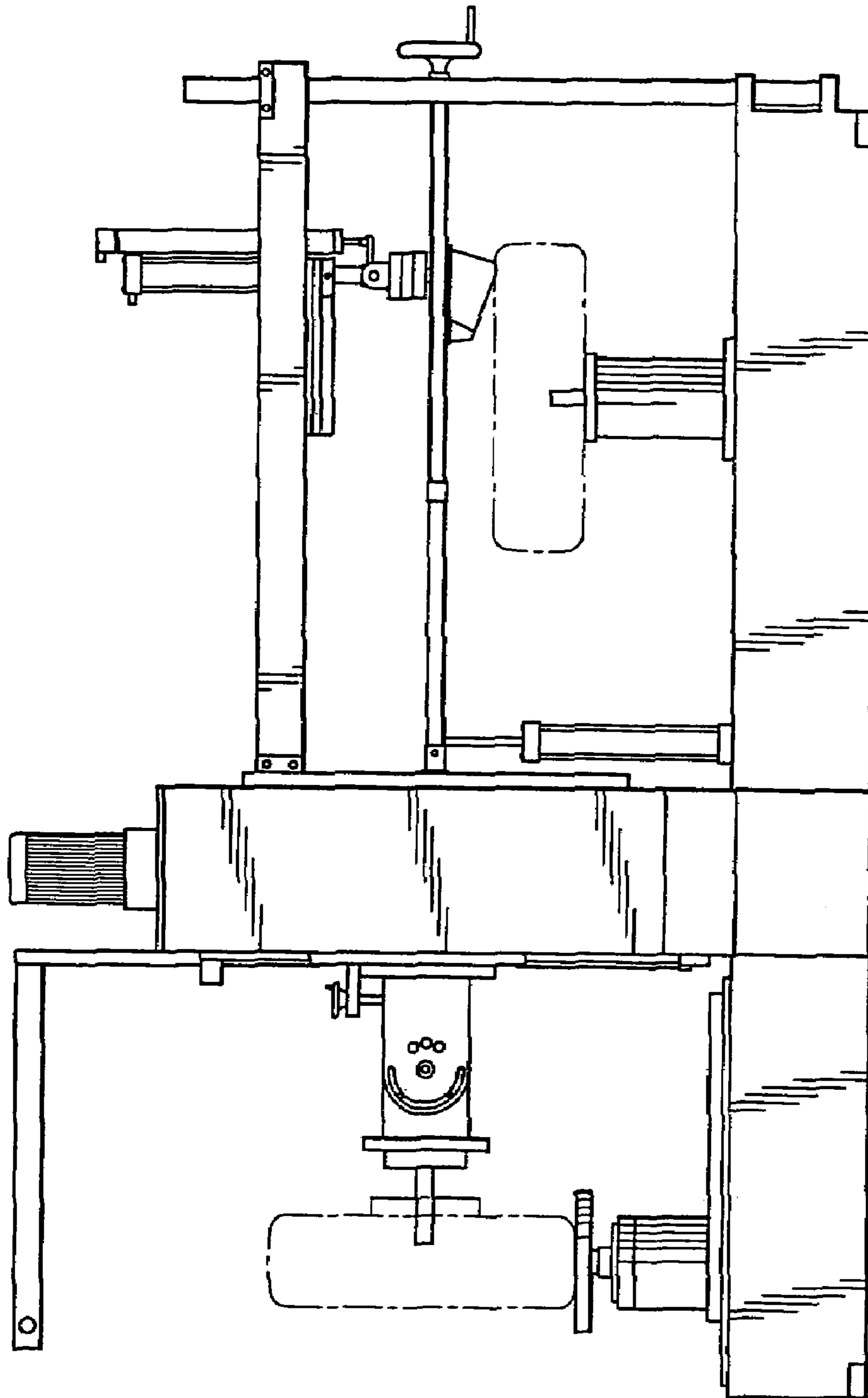


FIG. 8