



US00D588944S

(12) **United States Design Patent**  
**Graff**

(10) **Patent No.:** **US D588,944 S**

(45) **Date of Patent:** **\*\* Mar. 24, 2009**

(54) **WATCH CASE**

D493,730 S \* 8/2004 Monachon ..... D10/32  
D536,268 S \* 2/2007 Asakawa et al. .... D10/38  
D546,204 S \* 7/2007 Wunderman ..... D10/33

(75) Inventor: **Laurence Graff, Gstaad (CH)**

(73) Assignee: **Venberg SA (CH)**

\* cited by examiner

(\*\*) Term: **14 Years**

*Primary Examiner*—Lucy Lieberman  
(74) *Attorney, Agent, or Firm*—Galbreath Law Office, P.C.;  
John A. Galbreath

(21) Appl. No.: **29/325,593**

(22) Filed: **Oct. 3, 2008**

(57) **CLAIM**

(51) **LOC (9) Cl.** ..... **10-02**

The ornamental design for a watch case, as shown and described.

(52) **U.S. Cl.** ..... **D10/38**

(58) **Field of Classification Search** ..... D10/30–39;  
368/276, 281, 282, 285, 295

See application file for complete search history.

**DESCRIPTION**

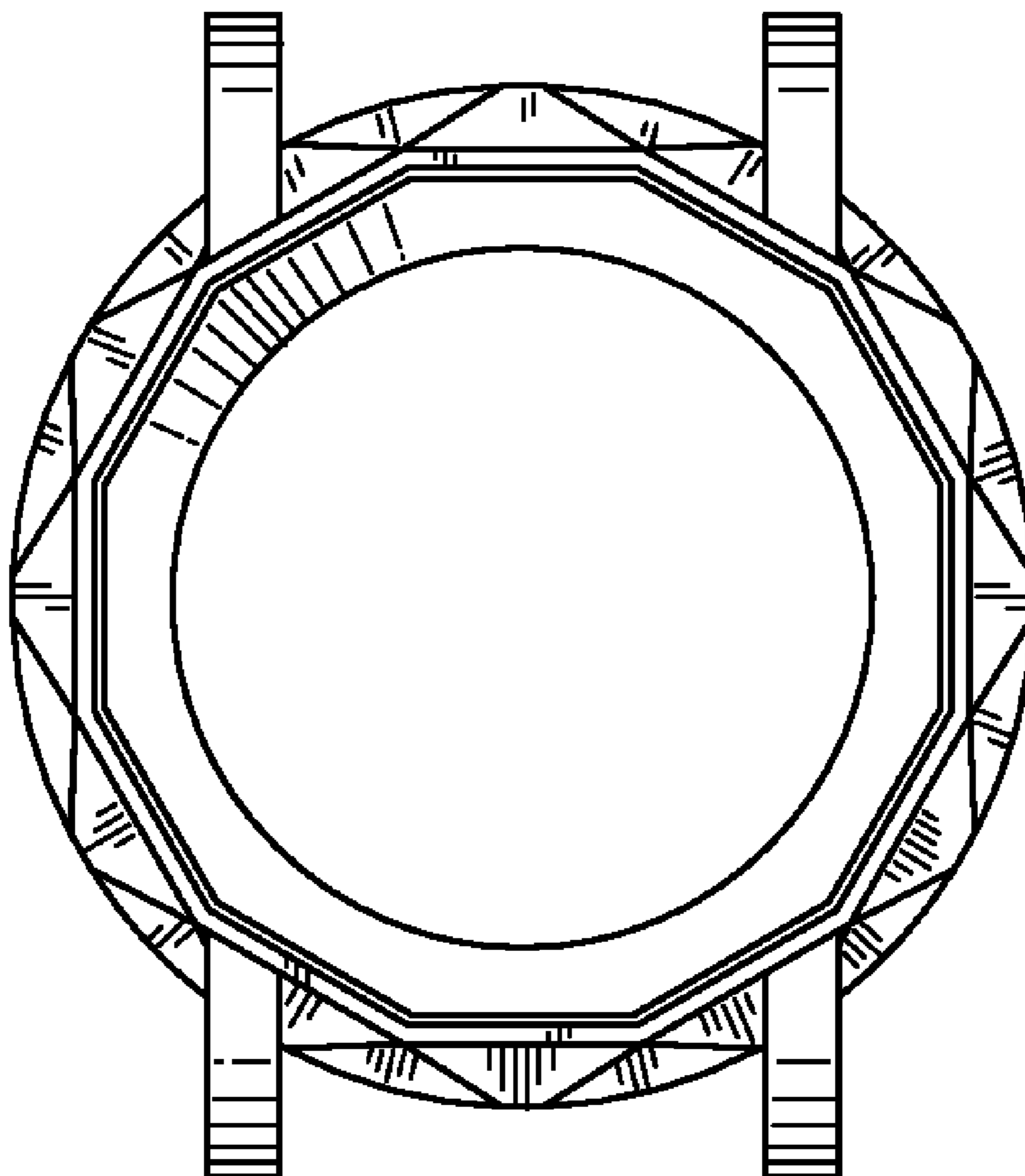
(56) **References Cited**

FIG. 1 is a perspective view of the invention;  
FIG. 2 is a top view of the invention;  
FIG. 3 is a bottom view of the invention;  
FIG. 4 is a side view of the invention;  
FIG. 5 is another side view of the invention, showing the side opposite that shown in FIG. 4;  
FIG. 6 is a front view of the invention; and,  
FIG. 7 is a back view of the invention.

**U.S. PATENT DOCUMENTS**

D302,797 S \* 8/1989 Glauser ..... D10/32  
D348,845 S \* 7/1994 Dumas ..... D10/39  
D350,288 S \* 9/1994 Giardiello ..... D10/30  
D368,664 S \* 4/1996 Schick et al. .... D10/39  
D371,082 S \* 6/1996 Oba ..... D10/39  
D384,295 S \* 9/1997 Riley ..... D10/30  
D447,063 S \* 8/2001 Scheufele ..... D10/30  
D473,472 S \* 4/2003 Wunderman ..... D10/32

**1 Claim, 1 Drawing Sheet**



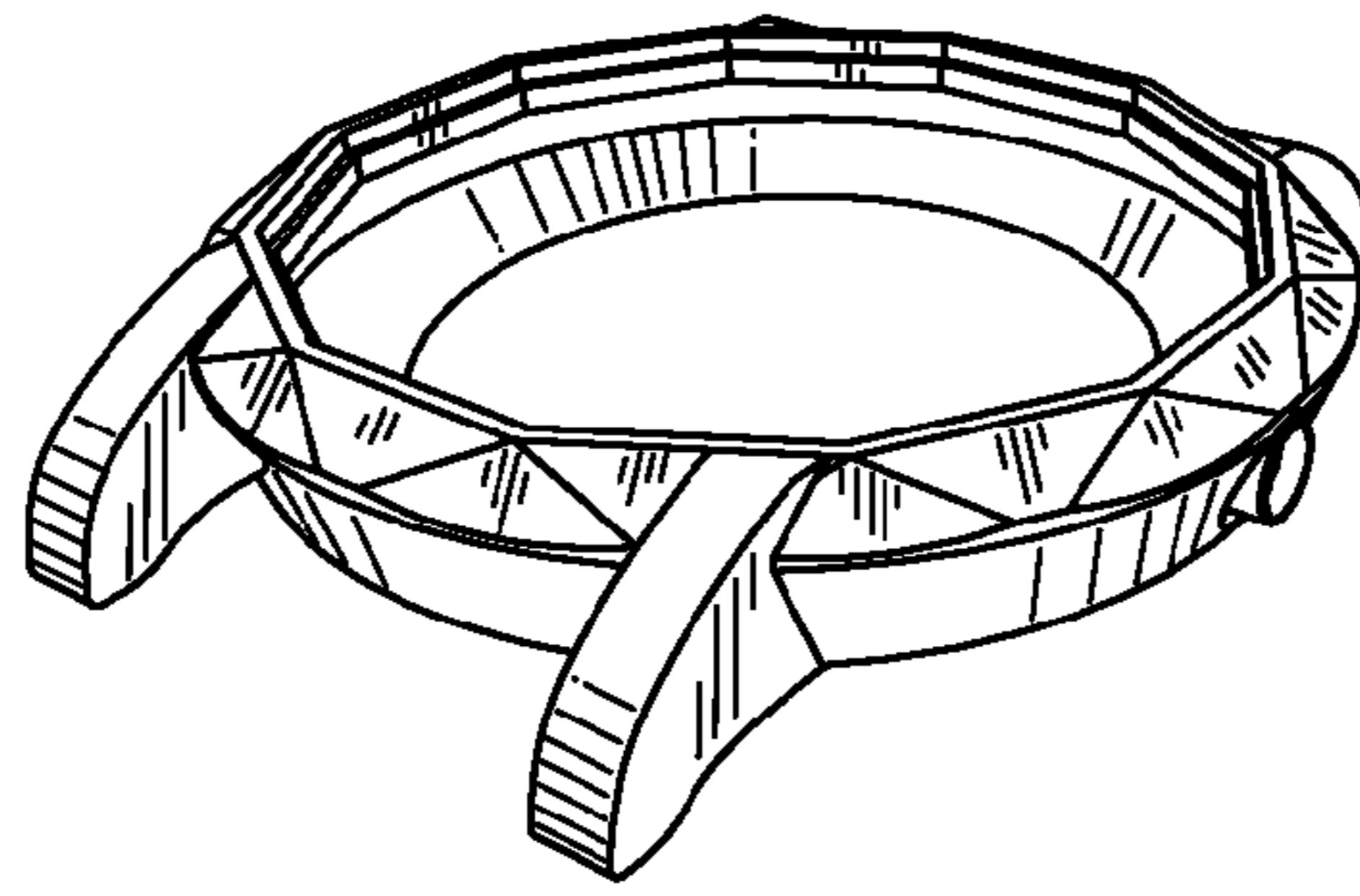


Fig. 1

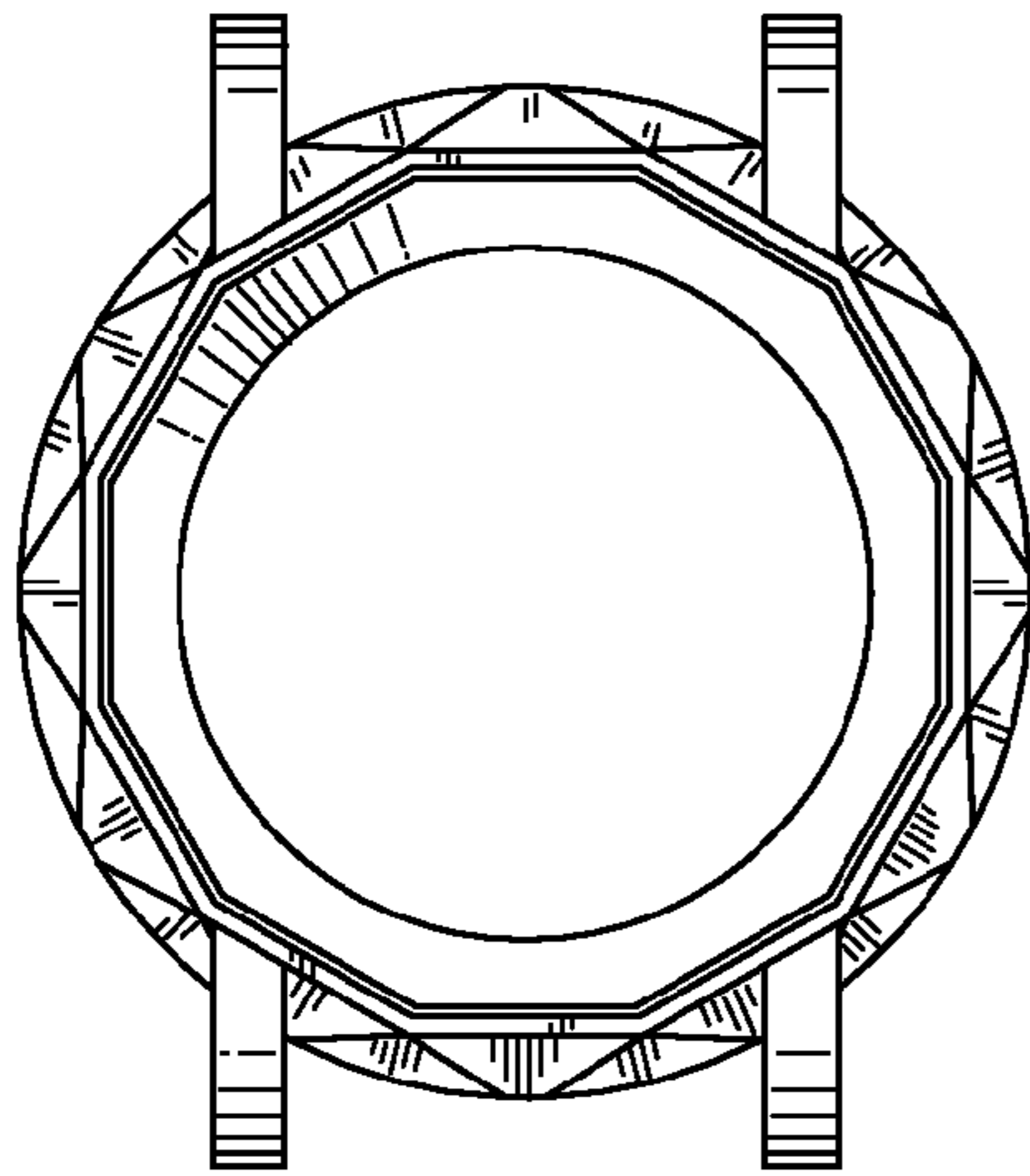


Fig. 2

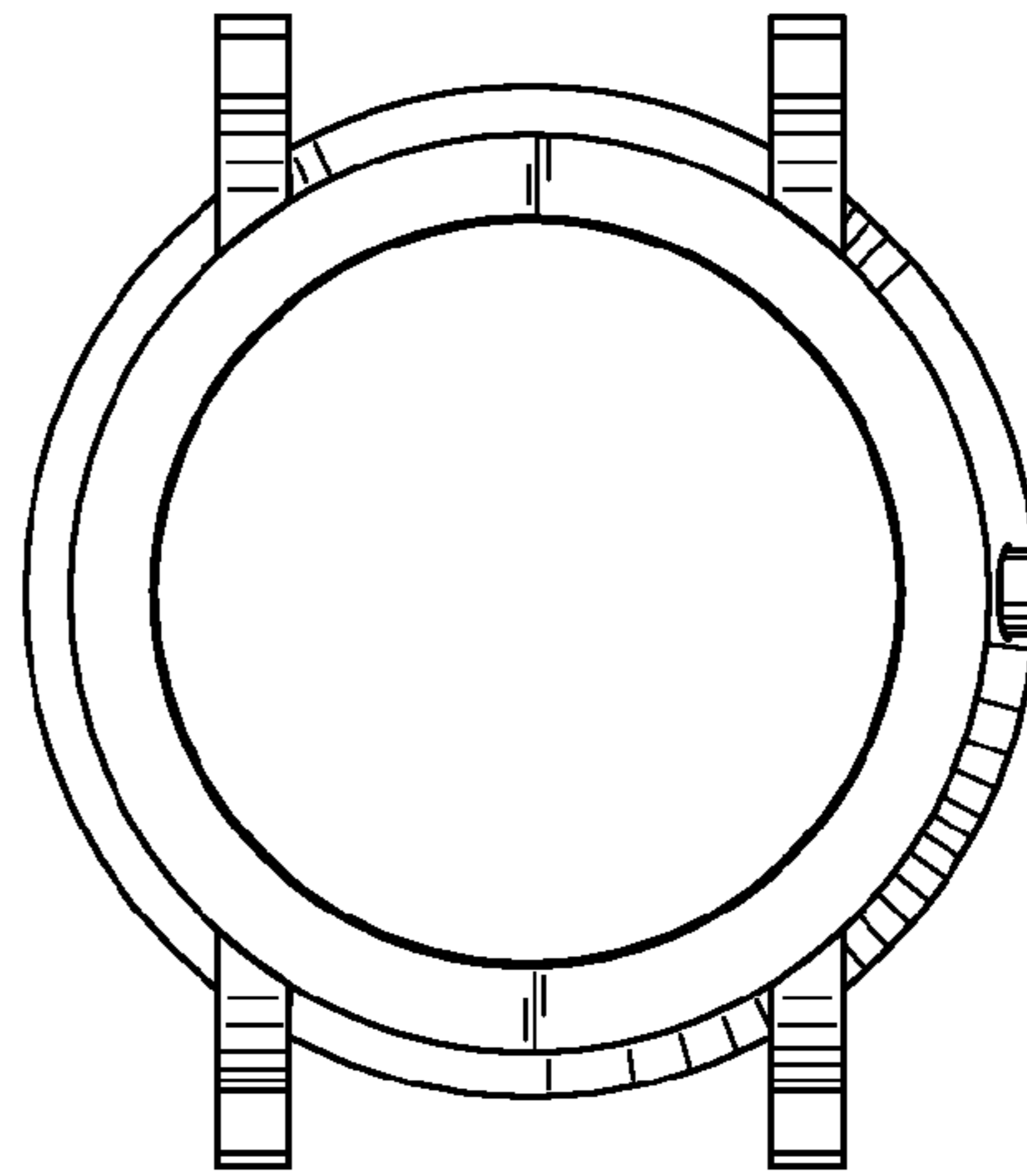


Fig. 3

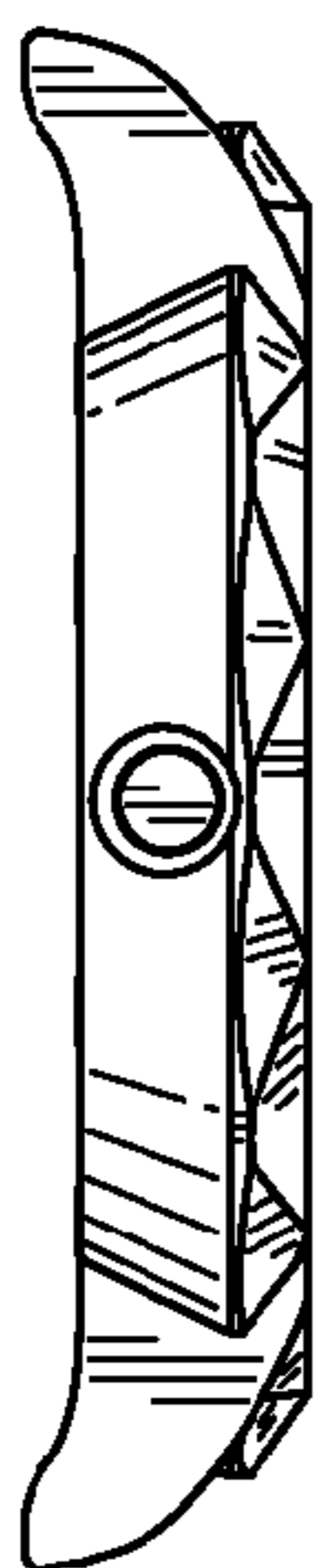


Fig. 4

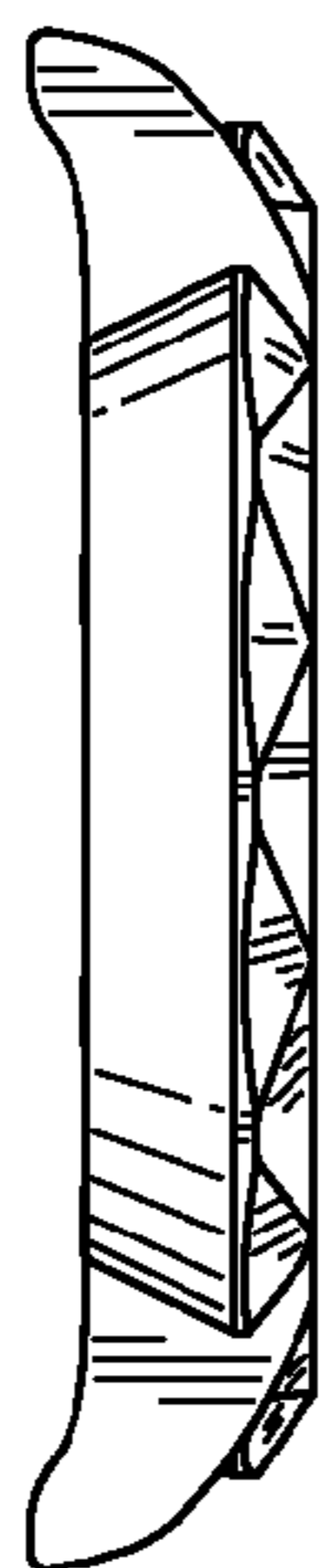


Fig. 5

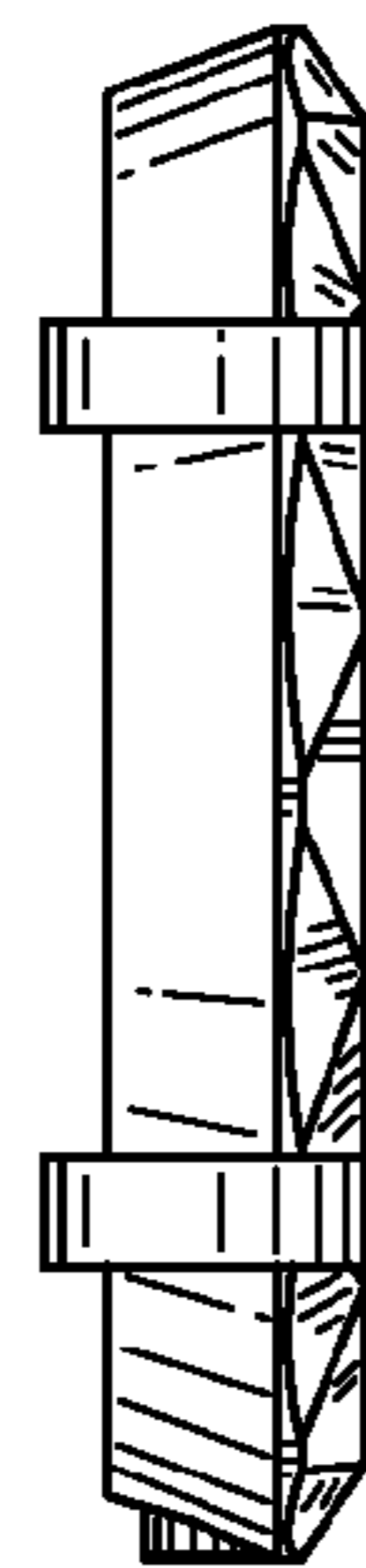


Fig. 6

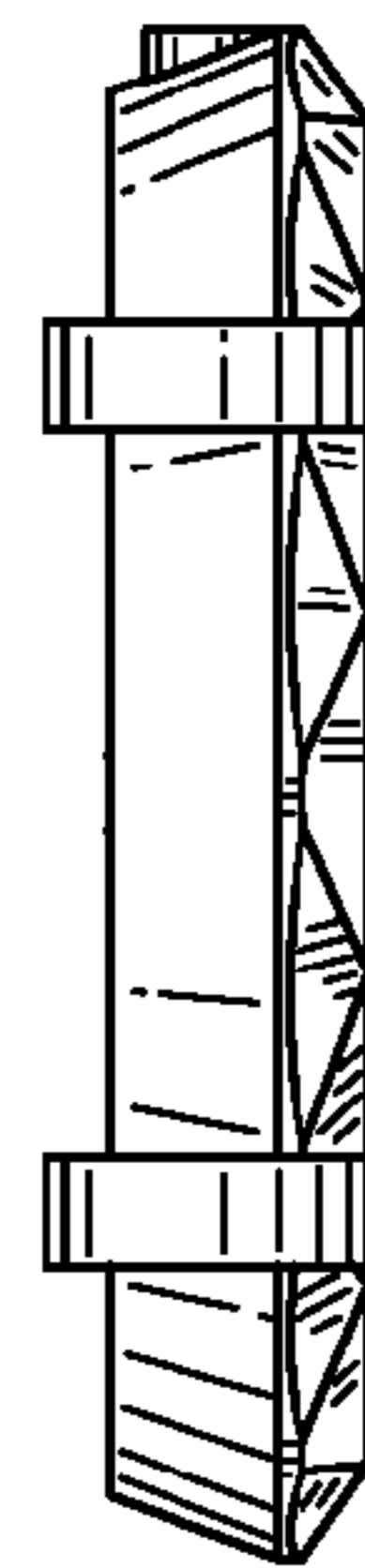


Fig. 7