



US00D588938S

(12) **United States Design Patent**
Blonder

(10) **Patent No.:** **US D588,938 S**

(45) **Date of Patent:** **** Mar. 24, 2009**

(54) **CLOCK**

(75) **Inventor:** **Greg E. Blonder**, 120 Woodland Ave.,
Summit, NJ (US) 07901

(73) **Assignee:** **Greg E. Blonder**, Summit, NJ (US)

(**) **Term:** **14 Years**

(21) **Appl. No.:** **29/325,388**

(22) **Filed:** **Sep. 30, 2008**

(51) **LOC (9) Cl.** **10-01**

(52) **U.S. Cl.** **D10/1**

(58) **Field of Classification Search** D10/1-29,
D10/122-132; 368/276, 316, 82, 223, 76,
368/239

See application file for complete search history.

(56) **References Cited**

U.S. PATENT DOCUMENTS

2,065,491	A *	12/1936	Harm	368/76
2,221,413	A *	11/1940	Schanz	368/76
D163,856	S *	7/1951	Addario	D10/124
3,587,222	A *	6/1971	Mestrovic	368/78
3,783,598	A *	1/1974	Parr	368/65
3,956,879	A *	5/1976	Bailey	368/76
D241,627	S *	9/1976	Bailey	D10/15

D241,628	S *	9/1976	Bailey	D10/15
D241,725	S *	10/1976	Bailey	D10/15
D253,042	S *	10/1979	Fee	D10/15
D277,372	S *	1/1985	Sonier	D11/140
D297,816	S *	9/1988	Dawson, Jr.	D10/15
D405,701	S *	2/1999	Marshall	D10/26
6,249,486	B1 *	6/2001	Chitturi	368/21
7,376,052	B2 *	5/2008	Sela	368/82

* cited by examiner

Primary Examiner—Lucy Lieberman

(74) *Attorney, Agent, or Firm*—Lowenstein Sandler PC

(57) **CLAIM**

The ornamental design for a clock, as shown and described.

DESCRIPTION

FIG. 1 is a front perspective view of the clock in accordance with the new design;

FIG. 2 is a top view of the clock;

FIG. 3 is a bottom view of the clock;

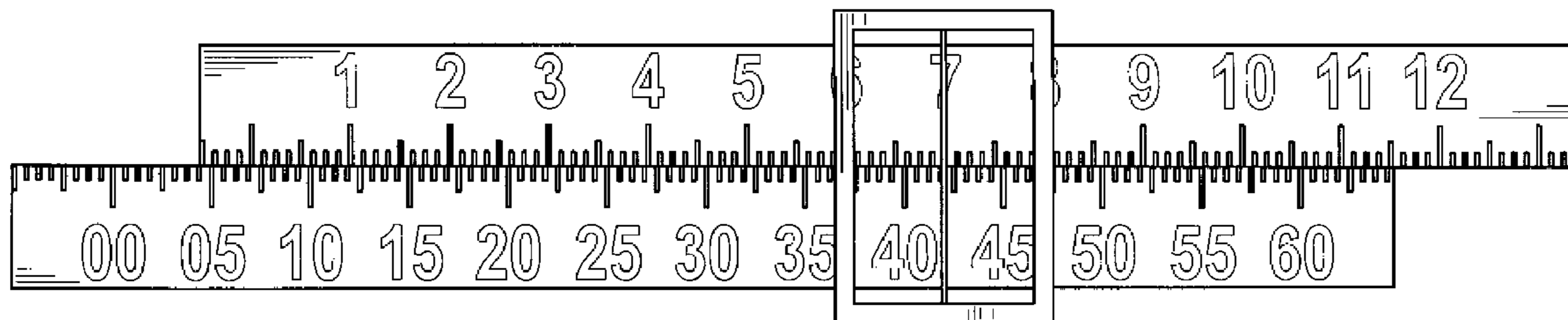
FIG. 4 is a left side view of the clock;

FIG. 5 is a right side view of the clock;

FIG. 6 is a front view of the clock; and,

FIG. 7 is a back view of the clock.

1 Claim, 3 Drawing Sheets



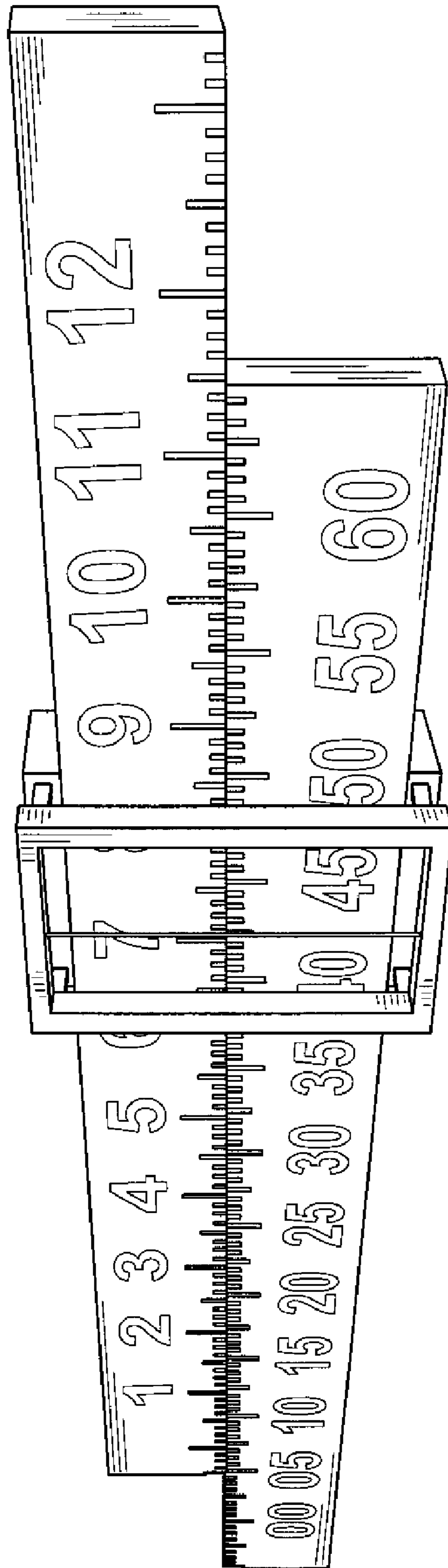


FIG. 1

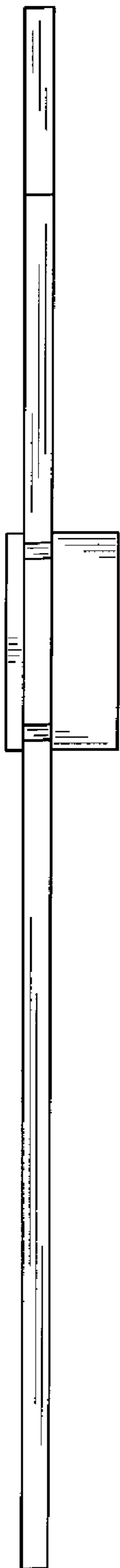


FIG. 2

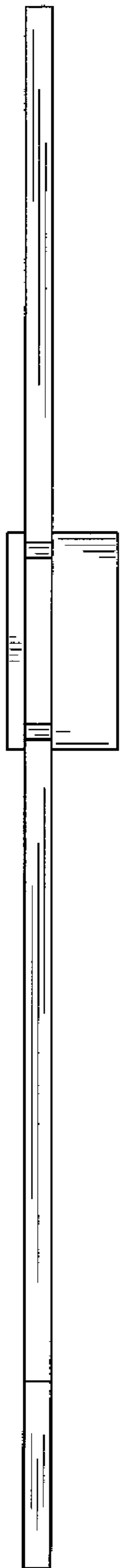


FIG. 3

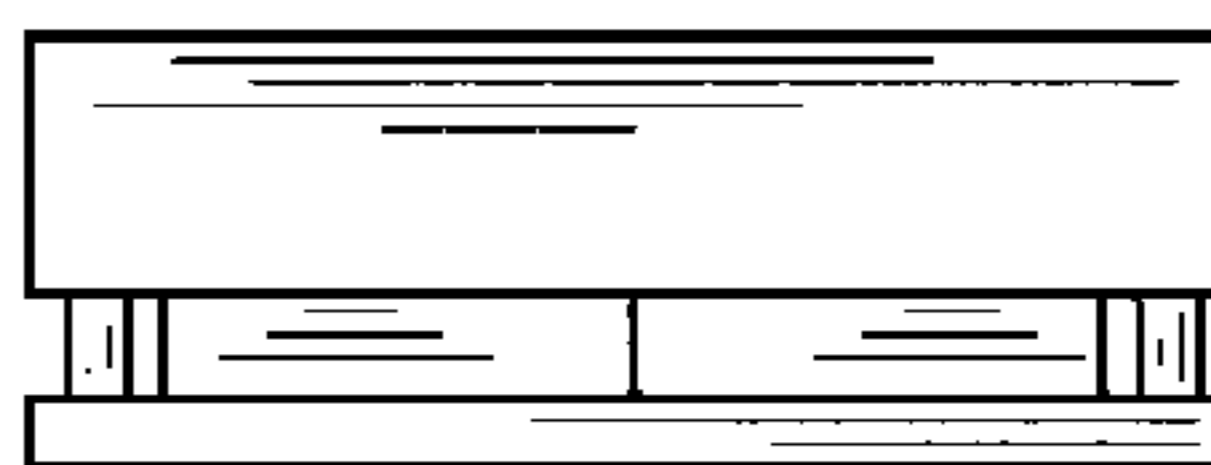


FIG. 5

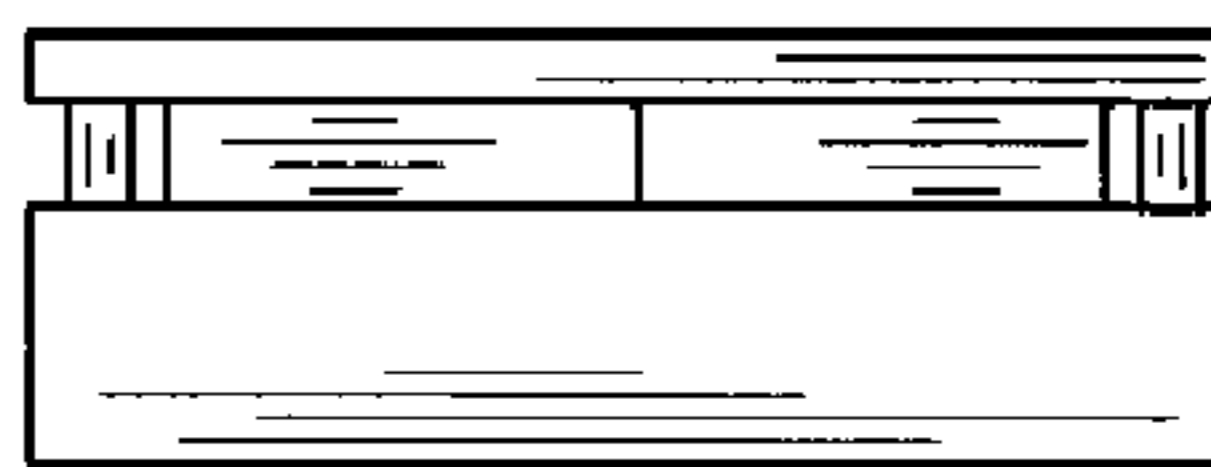


FIG. 4

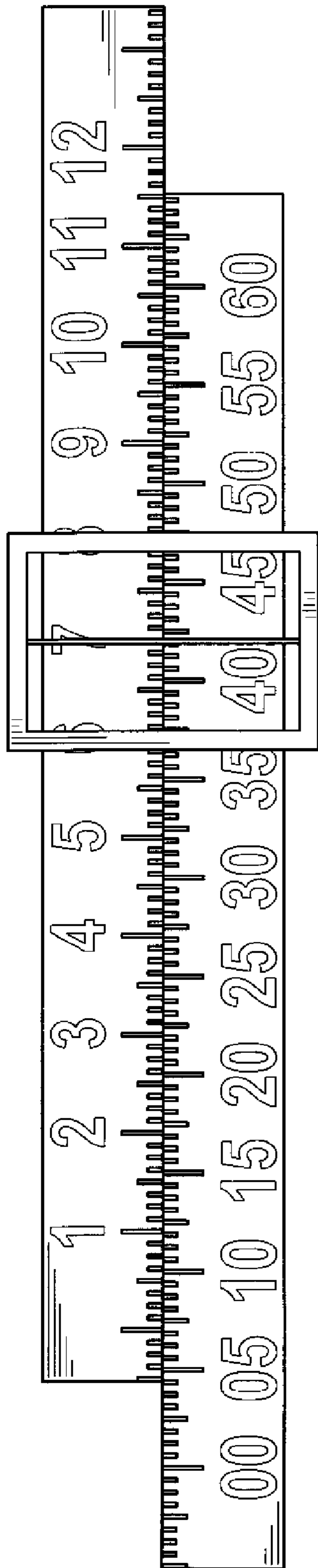


FIG. 6

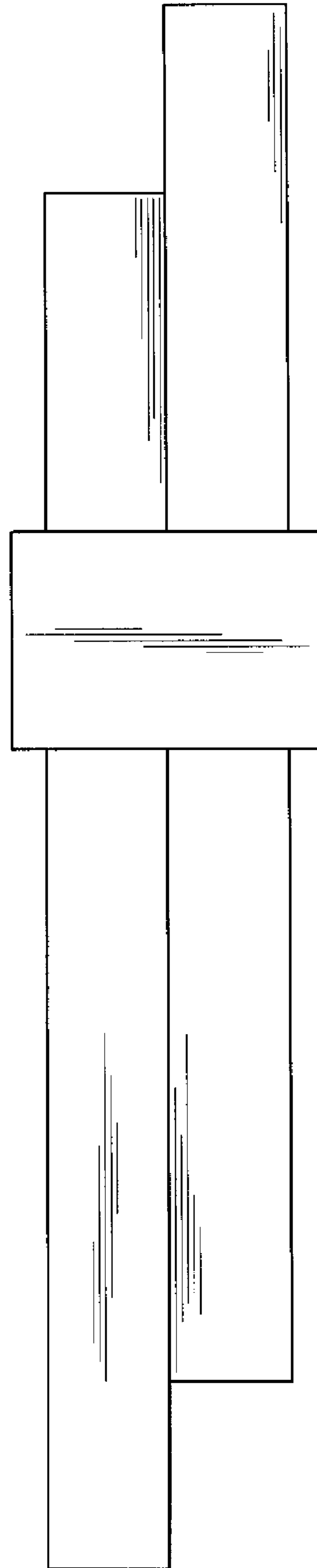


FIG. 7