



US00D588925S

(12) **United States Design Patent**
DeMarco

(10) **Patent No.:** **US D588,925 S**
(45) **Date of Patent:** **** Mar. 24, 2009**

(54) **CONTAINER**
(75) Inventor: **Jenny DeMarco**, Addison, TX (US)
(73) Assignee: **Mary Kay Inc.**, Dallas, TX (US)
(**) Term: **14 Years**
(21) Appl. No.: **29/306,117**
(22) Filed: **Apr. 2, 2008**
(51) **LOC (9) Cl.** **09-01**
(52) **U.S. Cl.** **D9/558; D7/602; D7/316**
(58) **Field of Classification Search** D9/50,
D9/682, 686, 688-692, 500-575; D28/76,
D28/78, 82; D7/509, 602; 215/379, 381-382;
220/660, 662, 669, 675
See application file for complete search history.

3,206,016 A 9/1965 Fowler et al. 206/403
3,244,313 A 4/1966 Miles 220/288
3,254,803 A 6/1966 Meshberg 222/182
3,311,249 A 3/1967 Marchant 215/13.1
D216,552 S 2/1970 Curry et al. D7/629
D217,438 S 5/1970 Barbach et al. D9/154
3,514,017 A 5/1970 Malone 222/321.7
3,520,452 A 7/1970 Malone 222/321.1
3,534,890 A 10/1970 Iannacone 222/402.14
3,550,803 A 12/1970 Pelli 215/12.1
3,620,399 A 11/1971 Rapeaud 215/13
D223,691 S 5/1972 Newman D28/77
D227,003 S 5/1973 Graham D9/141
D232,916 S 9/1974 Bettonica D9/164
4,162,010 A 7/1979 Hovsepian 206/229

(Continued)

(56) **References Cited**
U.S. PATENT DOCUMENTS

D051,066 S 7/1917 Hoffman D9/772
1,443,564 A 1/1923 Dolan 229/5.5
1,491,783 A 4/1924 Bartold 229/5.6
1,532,830 A 4/1925 Marceau 132/307
1,551,006 A 8/1925 Bruns 220/996
1,582,631 A 4/1926 Bruns 220/23.87
1,717,464 A 6/1929 Neely 206/527
D096,604 S 8/1935 Hankar D9/504
2,012,942 A 9/1935 Acker 229/125.05
2,036,928 A 4/1936 Dreux et al. 229/132.2
2,057,293 A 10/1936 Dreux et al. 493/108
2,076,549 A 4/1937 Conner 215/6
2,211,885 A 8/1940 Dreux et al. 229/125.19
D128,850 S 8/1941 Petzold D25/88
2,307,648 A 1/1943 Tremolieres 206/525
2,315,635 A 4/1943 McCarthy et al. 493/86
2,446,080 A 7/1948 Dennis 132/293
D153,938 S 5/1949 Graham D28/77
2,797,839 A 7/1957 Root 220/23.87
2,808,090 A 10/1957 Casalino 220/62.18
D188,138 S 6/1960 Bindman D9/552
3,023,886 A 3/1962 Abrams 401/183
D196,393 S 9/1963 Sanders et al. D9/448
3,156,279 A 11/1964 Grebowiec et al. 215/12.1

OTHER PUBLICATIONS

U.S. Appl. No. 29/306,116, filed Apr. 2, 2008, DeMarco.

Primary Examiner—Charles A Rademaker
Assistant Examiner—Dana L Sipos
(74) *Attorney, Agent, or Firm*—Fulbright & Jaworski L.L.P.

(57) **CLAIM**

The ornamental design for a container, as shown and described.

DESCRIPTION

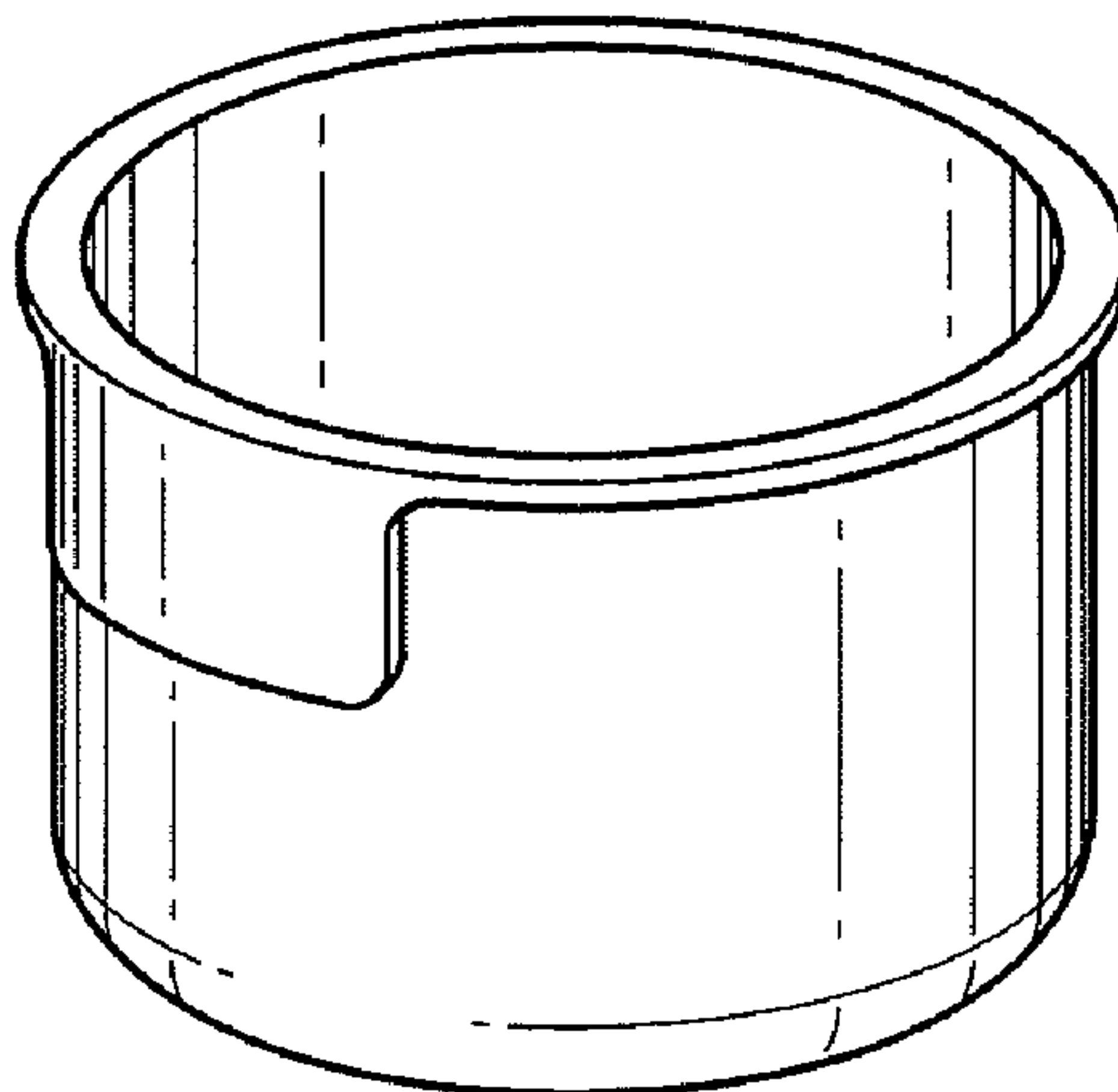
FIG. 1 is a top, front, right side perspective view of a container showing my new design;

FIG. 2 is a front elevation view thereof, the rear elevation view being identical;

FIG. 3 is a left side elevation view thereof, the right side elevation view being identical; and,

FIG. 4 is a top plan view thereof.

1 Claim, 2 Drawing Sheets



US D588,925 S

Page 2

U.S. PATENT DOCUMENTS							
4,311,255	A	1/1982 Meshberg	222/183	D411,100	S	6/1999 Torres	D9/692
4,369,799	A	1/1983 Napoleon	132/294	D411,742	S	6/1999 Kokenge et al.	D9/434
4,370,989	A	2/1983 Taylor	132/317	D411,747	S	6/1999 Kokenge et al.	D9/503
D272,006	S	12/1983 Geiger	D28/5	D413,257	S	8/1999 Favre	D9/690
4,421,127	A	12/1983 Geer	132/294	5,938,016	A	8/1999 Erdtmann	206/221
D272,804	S	2/1984 Braun	D9/353	D413,793	S	9/1999 Favre	D9/692
4,429,798	A	2/1984 Borows	215/12.1	D416,800	S	11/1999 Herrmann	D9/500
D274,848	S	7/1984 Chevassus	D28/76	5,975,093	A	11/1999 Joulia	132/293
D275,733	S	10/1984 Pardo	D9/352	6,009,885	A	1/2000 Nam	132/293
4,526,302	A	7/1985 Brunet	222/321.7	D420,466	S	2/2000 Coates et al.	D28/76
D280,975	S	10/1985 Van Dine	D9/353	D420,766	S	2/2000 Coates et al.	D28/76
D281,054	S	10/1985 Menrad	D9/688	6,021,784	A	2/2000 Yuhara	132/293
D281,764	S	12/1985 Legrottaglie	D9/504	6,021,924	A	2/2000 Suck et al.	222/105
D282,630	S	2/1986 Braun	D9/504	D422,902	S	4/2000 Kikuchi	D9/689
D287,824	S	* 1/1987 Rayner	D9/780	6,047,710	A	4/2000 Irving et al.	132/293
4,676,408	A	6/1987 Speitel	222/183	6,053,363	A	4/2000 Revenu	222/82
4,826,014	A	5/1989 Schefer	206/581	D423,922	S	5/2000 Ohchi et al.	D9/688
D303,584	S	9/1989 Bakic	D28/91	D424,749	S	5/2000 Zalzal	D28/76
4,863,034	A	9/1989 Contreras, Sr.	206/581	D424,750	S	5/2000 Zalzal	D28/76
D306,826	S	3/1990 Bormioli	D9/504	6,055,992	A	5/2000 Skarne	132/293
4,944,430	A	7/1990 Graf et al.	222/259	D426,160	S	6/2000 Lindsay et al.	D9/500
4,982,751	A	1/1991 Oishi et al.	132/299	D426,466	S	6/2000 Nevins et al.	D9/529
5,005,697	A	4/1991 Jimbo et al.	206/235	D426,768	S	6/2000 Gattineri	D9/690
D322,391	S	12/1991 Morane	D9/688	6,076,679	A	6/2000 Yuhara et al.	206/581
D322,392	S	12/1991 Schneider et al.	D9/689	6,085,927	A	7/2000 Kusz	220/23.87
D322,750	S	12/1991 Sommer	D9/688	H001855	H	8/2000 Litton et al.	D28/82
D324,171	S	2/1992 Morane	D9/688	D432,017	S	10/2000 Alvarado	D9/529
5,099,998	A	3/1992 Curzon et al.	206/514	D432,720	S	10/2000 Finocchiaro et al.	D28/76
5,123,571	A	6/1992 Rebeyrolle et al.	222/105	D432,722	S	10/2000 Wardlaw	D28/76
5,161,556	A	11/1992 Audebourg et al.	132/296	D433,190	S	10/2000 Finocchiaro et al.	D28/76
D334,705	S	4/1993 Pereira et al.	D9/689	6,129,089	A	10/2000 Yuhara	132/300
D335,086	S	4/1993 Wacker	D9/529	6,138,686	A	10/2000 Yuhara	132/294
5,199,451	A	4/1993 Montoli	132/315	D434,221	S	11/2000 Chao	D3/365
D344,017	S	2/1994 Lang et al.	D9/727	D434,324	S	11/2000 Gobe	D9/504
D346,328	S	* 4/1994 Labrie	D9/778	6,149,008	A	11/2000 Yuhara	206/581
D347,571	S	6/1994 Wacker	D9/688	D434,667	S	12/2000 Gobe	D9/529
5,323,924	A	6/1994 Wolff	220/23.87	D435,449	S	12/2000 Moretti	D9/500
5,328,055	A	7/1994 Battle	222/83.5	D435,450	S	12/2000 Eisenbarth	D9/500
D350,837	S	9/1994 Kirby	D28/82	D436,233	S	1/2001 Faillant-Dumas	D28/91
5,358,147	A	10/1994 Adams et al.	222/183	D436,532	S	1/2001 Richardson	D9/428
D352,896	S	11/1994 Jones	D9/428	D437,212	S	2/2001 Adachi et al.	D9/686
5,373,862	A	12/1994 Blachut	132/294	D438,785	S	3/2001 Baron	D9/689
5,431,177	A	7/1995 Kecman	132/303	D440,150	S	4/2001 Tsai	D9/689
D364,669	S	11/1995 Winner	D22/117	D443,821	S	6/2001 Bakic	D9/500
D365,020	S	12/1995 Dinand	D9/689	6,264,054	B1	7/2001 Miyake et al.	220/23.83
D367,423	S	2/1996 Stanley	D9/424	D446,456	S	8/2001 Adachi et al.	D9/529
D367,996	S	* 3/1996 Rausch	D7/602	D447,290	S	8/2001 Huai	D30/129
5,503,302	A	4/1996 DeJonge	222/82	6,302,607	B1	10/2001 Burrowes et al.	401/18
5,516,006	A	5/1996 Meshberg	222/25	6,311,701	B1	11/2001 Yuhara et al.	132/294
5,526,960	A	6/1996 Breidenbach et al.	222/183	6,334,449	B1	1/2002 Burrowes et al.	132/114
5,549,200	A	8/1996 Cowan et al.	206/362	6,354,452	B1	3/2002 DeSalvo et al.	220/23.87
5,553,748	A	9/1996 Battle	222/94	6,401,955	B1	6/2002 Yang	220/23.87
5,586,694	A	12/1996 Breidenbach et al.	222/183	D460,692	S	7/2002 Cumberbatch	D9/500
5,605,167	A	2/1997 Montoli	132/294	6,505,986	B1	1/2003 Oder	401/183
5,664,700	A	9/1997 Battle	222/105	D469,684	S	2/2003 Lerolle	D9/682
D385,793	S	11/1997 Marsal	D9/203	D470,273	S	2/2003 Revivo	D28/76
D388,320	S	12/1997 Lamb	D9/688	D472,152	S	3/2003 Joubert	D9/529
D388,549	S	12/1997 Mouyiaris et al.	D28/82	D474,405	S	5/2003 Togasawa	D9/504
D389,060	S	1/1998 De Laforcade	D9/448	D474,974	S	5/2003 Bakic	D9/504
5,704,378	A	1/1998 Machelett	132/304	D474,978	S	5/2003 Varlet	D9/549
D391,159	S	2/1998 Sheffler	D9/500	D476,233	S	6/2003 Versace	D9/504
5,772,083	A	6/1998 Joulia	222/396	D476,572	S	7/2003 Merritt	D9/504
D396,329	S	7/1998 Litton	D28/82	D477,216	S	7/2003 Gronwall	D9/727
D398,079	S	9/1998 Denison	D28/82	D477,225	S	7/2003 Pinnavaia	D9/454
D400,783	S	11/1998 De Mourgues	D9/691	6,588,960	B1	7/2003 Barwin et al.	401/125
5,842,604	A	12/1998 Stahley et al.	222/95	6,622,890	B2	9/2003 Gueret	222/1
D403,589	S	1/1999 Wong	D9/529	D480,307	S	10/2003 Canamasas Puigbo	D9/504
D404,295	S	1/1999 Bertolini et al.	D9/691	6,648,538	B2	11/2003 Gueret	401/130
5,871,700	A	2/1999 Konrad	422/102	6,651,835	B2	11/2003 Iskra	220/23.87
D408,285	S	4/1999 Favre	D9/503	D483,527	S	12/2003 Ashiwa et al.	D28/91
D409,086	S	5/1999 Brown et al.	D9/428	D484,644	S	12/2003 Noh	D28/76
				D485,016	S	1/2004 Noh	D28/76
				D485,017	S	1/2004 Noh	D28/76

US D588,925 S

6,749,078 B2	6/2004	Iskra	220/23.87	D527,642 S	9/2006	Priestman	D9/529
D493,721 S	8/2004	Puigbo	D9/504	D530,208 S	10/2006	Danne et al.	D9/504
D494,474 S	8/2004	Pace et al.	D9/504	D530,622 S	10/2006	Geiberger	D9/688
D497,809 S	11/2004	Fenton et al.	D9/500	D531,036 S	10/2006	Bried et al.	D9/504
D498,678 S	11/2004	Ames	D9/529	D531,041 S	10/2006	Sauer et al.	D9/529
D499,338 S	12/2004	Mulder et al.	D9/500	D541,176 S	4/2007	Bried	D9/780
6,832,702 B2	12/2004	Garcia	222/183	D542,149 S	5/2007	Boucher	D9/686
D502,649 S	3/2005	Martinez	D9/529	D543,458 S	5/2007	Dittmer et al.	D9/504
D503,086 S	3/2005	Tsai	D9/685	D560,495 S	1/2008	Mettler et al.	D9/504
D504,542 S	4/2005	Noh	D28/76	7,314,577 B2	1/2008	Koefod	222/321.9
D505,074 S	5/2005	Bakic	D9/504	2002/0011492 A1	1/2002	Iskra	220/23.87
6,910,597 B2	6/2005	Iskra	220/23.87	2002/0036155 A1	3/2002	Freeman et al.	206/581
6,923,347 B2	8/2005	Winckels	222/206	2002/0104840 A1	8/2002	Iskra	220/23.87
D509,434 S	9/2005	Haruta	D9/504	2003/0071040 A1	4/2003	Brodner et al.	220/23.87
D509,739 S	9/2005	Haruta	D9/504	2003/0080128 A1	5/2003	Brodner et al.	220/23.87
6,945,419 B2	9/2005	Bertazza et al.	220/23.87	2003/0155358 A1	8/2003	Goto et al.	220/23.87
D510,524 S	10/2005	Houk et al.	D9/503	2003/0213723 A1	11/2003	Lombardi	206/581
D512,636 S	12/2005	Pace	D9/504	2004/0089741 A1	5/2004	Mathiez	239/302
D513,386 S	12/2005	Pace	D9/504	2005/0115992 A1	6/2005	Cohen et al.	222/325
6,983,864 B1	1/2006	Cagle	222/131	2005/0178694 A1	8/2005	Mecca et al.	206/581
D514,936 S	2/2006	Pace et al.	D9/504	2005/0184090 A1	8/2005	DeJonge	222/129
D515,426 S	2/2006	Pace et al.	D9/504	2005/0194384 A1	9/2005	Petit	220/230
D515,439 S	2/2006	Pace	D9/746	2005/0218033 A1	10/2005	Curtis	206/581
D515,516 S	2/2006	Mayo et al.	D13/171	2005/0247731 A1	11/2005	Mathiez	222/162
D515,928 S	2/2006	Pace	D9/504	2005/0284891 A1	12/2005	Ramet et al.	222/321.7
D516,923 S	3/2006	Moore	D9/682	2006/0027481 A1	2/2006	Gelardi et al.	206/581
D518,381 S	4/2006	Egawa	D9/504	2006/0043109 A1	3/2006	Masuda	222/105
D519,027 S	4/2006	Haber et al.	D9/428	2006/0118454 A1	6/2006	Kang	206/581
D521,383 S	5/2006	Priestman	D9/529	2006/0186019 A1	8/2006	Lu	206/581
D521,386 S	5/2006	Priestman	D9/529	2006/0196804 A1	9/2006	Koga et al.	206/581
D522,695 S	6/2006	Desdoigts	D28/82	2007/0020032 A1	1/2007	Abbas	401/188 A
D523,752 S	6/2006	Bried et al.	D9/524	2007/0029226 A1	2/2007	Yuhara et al.	206/581
D524,161 S	7/2006	Sauer et al.	D9/529	2007/0163919 A1	7/2007	Yuhara et al.	206/581
D525,136 S	7/2006	Bakic	D9/522				
D526,205 S	8/2006	Priestman	D9/529				

* cited by examiner

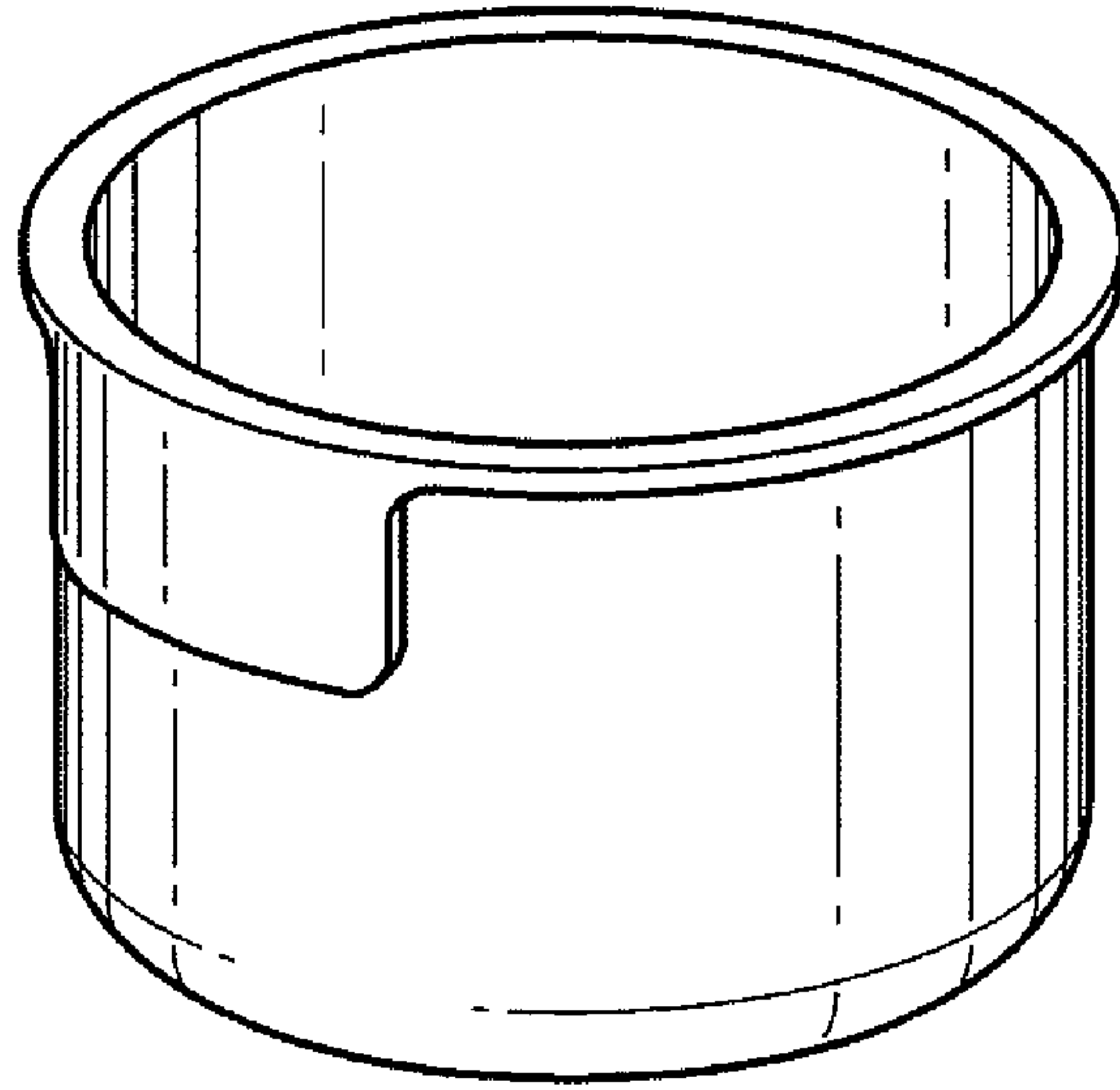


FIG. 1

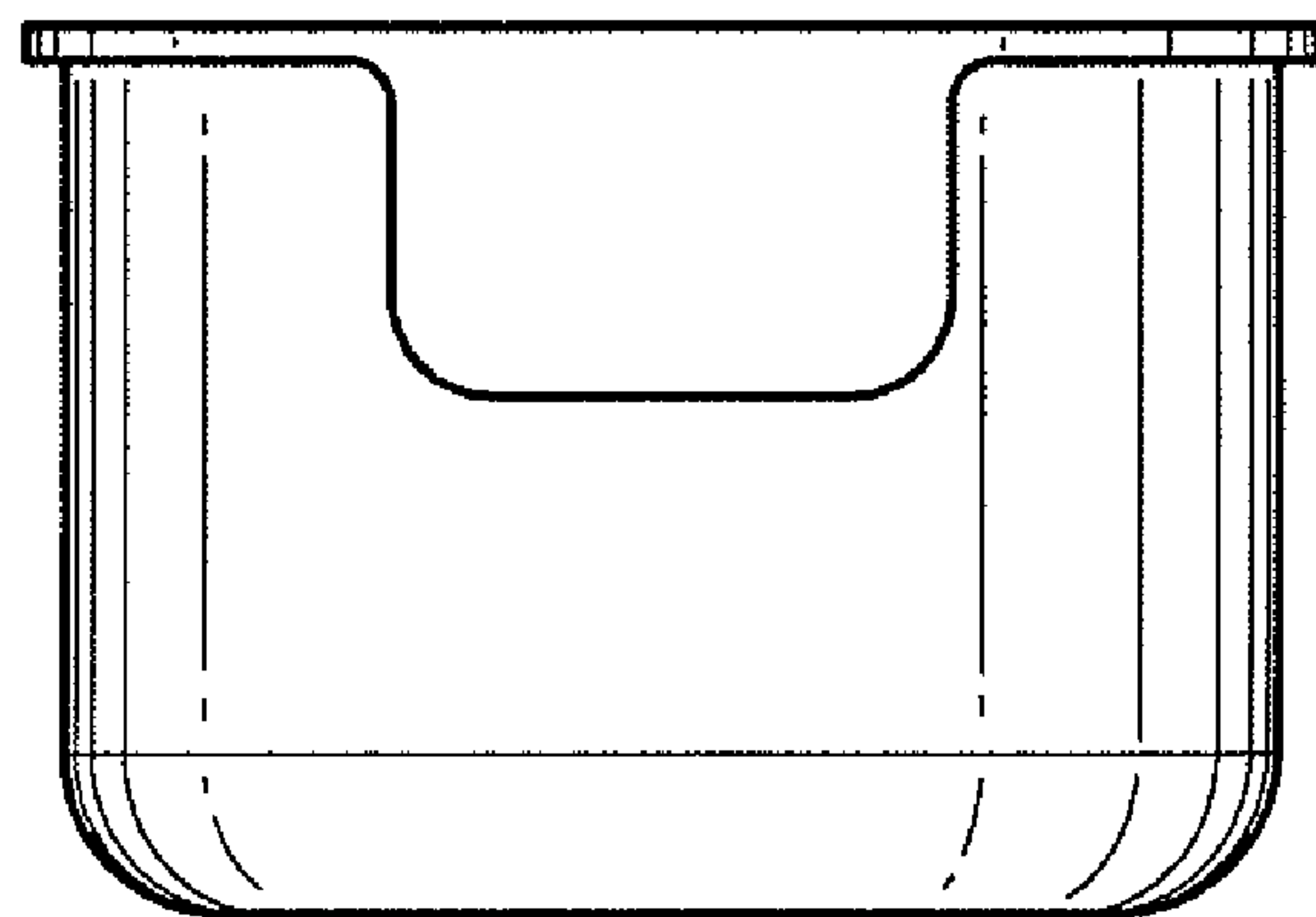


FIG. 2

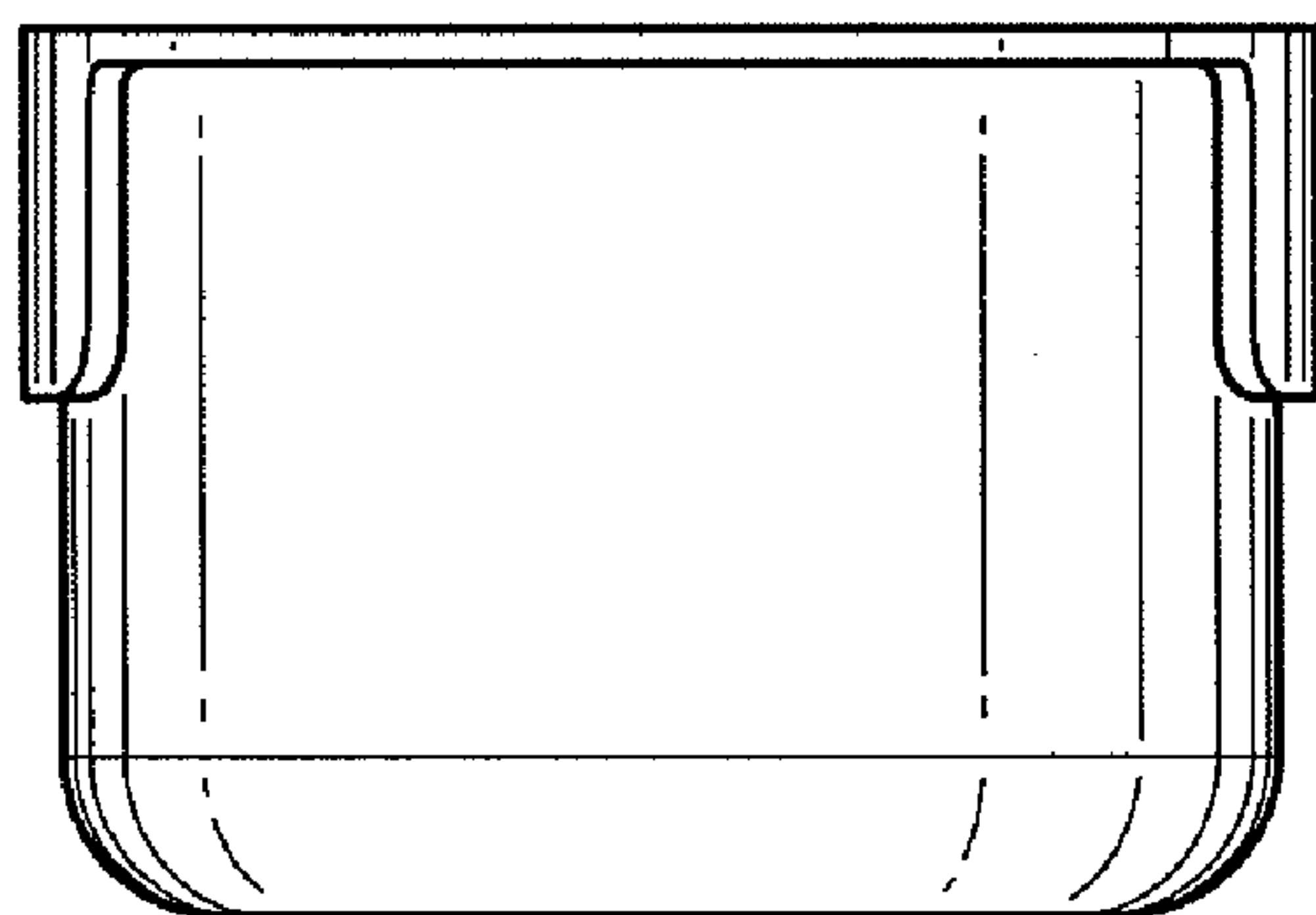


FIG. 3

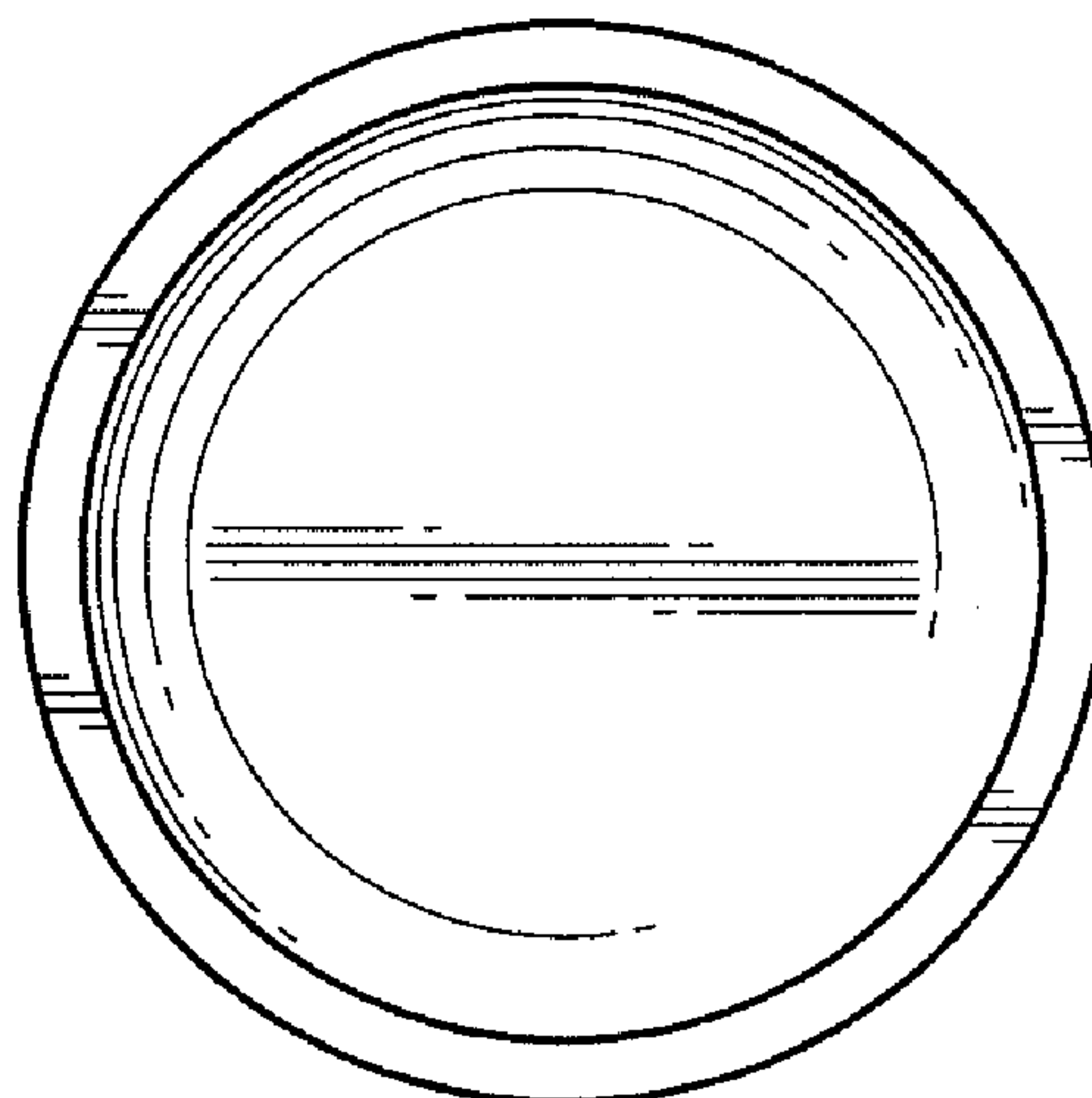


FIG. 4

UNITED STATES PATENT AND TRADEMARK OFFICE
CERTIFICATE OF CORRECTION

PATENT NO. : Des. 588,925 S
APPLICATION NO. : 29/306117
DATED : March 24, 2009
INVENTOR(S) : Jenny Demarco

Page 1 of 1

It is certified that error appears in the above-identified patent and that said Letters Patent is hereby corrected as shown below:

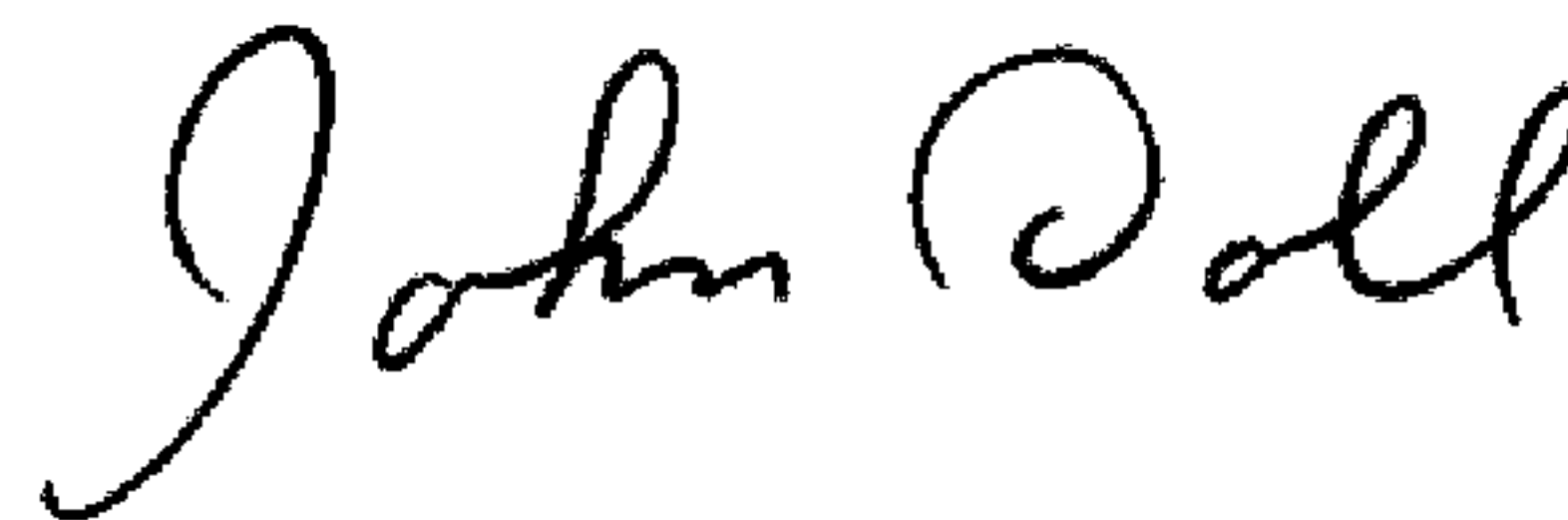
In title page, item (56) References Cited - U.S. Patent Documents, delete "3,311,249" and insert --3,311,248-- therefor.

In title page, item (56) References Cited - U.S. Patent Documents, delete "7,314,577 B2 1/2008 Koefod" and insert --7,134,577 B1 11/2006 Verma-- therefor.

In title page, item (56) References Cited - U.S. Patent Documents, delete "2005/0115992 A1 6/2005 Cohen et al." and insert --2005/0115991 A1 6/2005 Dave-- therefor.

Signed and Sealed this

Twenty-sixth Day of May, 2009



JOHN DOLL
Acting Director of the United States Patent and Trademark Office