



US00D588922S

(12) **United States Design Patent**  
**Hagleitner**

(10) **Patent No.:** **US D588,922 S**

(45) **Date of Patent:** **\*\* Mar. 24, 2009**

(54) **BOTTLE**

D411,460 S \* 6/1999 Nobuto ..... D9/560  
D545,219 S \* 6/2007 Troost et al. .... D9/560

(76) Inventor: **Hans Georg Hagleitner**, Lindenallee 11,  
A-5700 Zell am See (AT)

(\*\*) Term: **14 Years**

\* cited by examiner

(21) Appl. No.: **29/283,153**

*Primary Examiner*—Nanda Bondade  
(74) *Attorney, Agent, or Firm*—Laurence A. Greenberg;  
Werner H. Stemer; Ralph E. Locher

(22) Filed: **Aug. 7, 2007**

(57) **CLAIM**

(30) **Foreign Application Priority Data**

Feb. 7, 2007 (EM) ..... 000667175-0001

The ornamental design for the bottle, as shown and described.

(51) **LOC (9) Cl.** ..... **09-01**

**DESCRIPTION**

(52) **U.S. Cl.** ..... **D9/544**; D9/534; D9/572;  
D9/574

(58) **Field of Classification Search** ..... D9/418,  
D9/523, 529, 534–535, 543–544, 546, 560,  
D9/566, 573–574, 682, 686, 687, 694; 215/6,  
215/10, 382–384, 395, 396

FIG. 1 is a side elevation of the bottle showing my new design;  
FIG. 2 is a front elevational view thereof;  
FIG. 3 is a top plan view thereof;  
FIG. 4 is side front top perspective view thereof;  
FIG. 5 is rear elevational view thereof;  
FIG. 6 is a bottom plan view thereof; and,  
FIG. 7 is a side elevation opposite the side shown in FIG. 1.

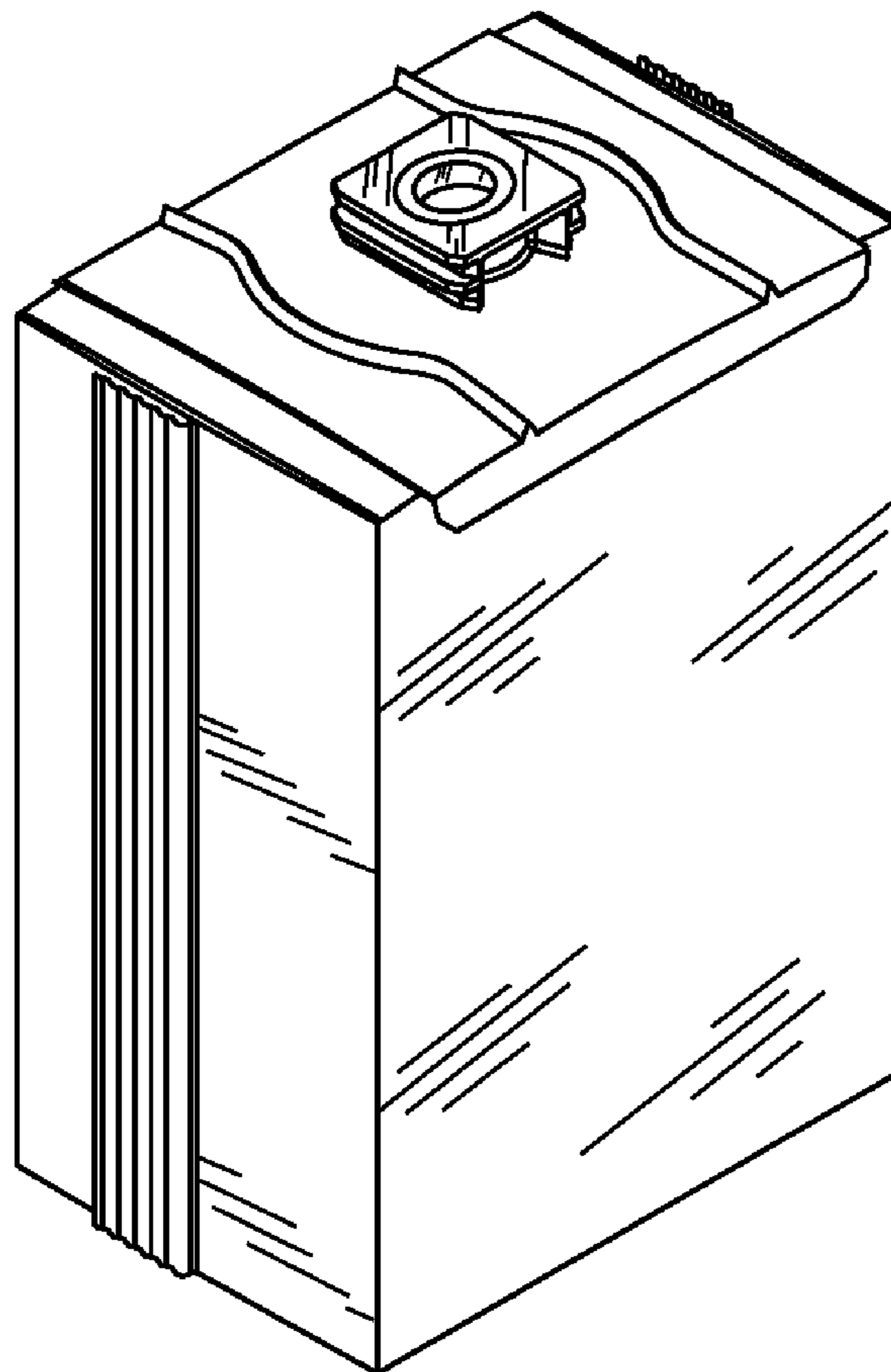
See application file for complete search history.

(56) **References Cited**

**U.S. PATENT DOCUMENTS**

D276,892 S \* 12/1984 Carre ..... D9/529

**1 Claim, 2 Drawing Sheets**



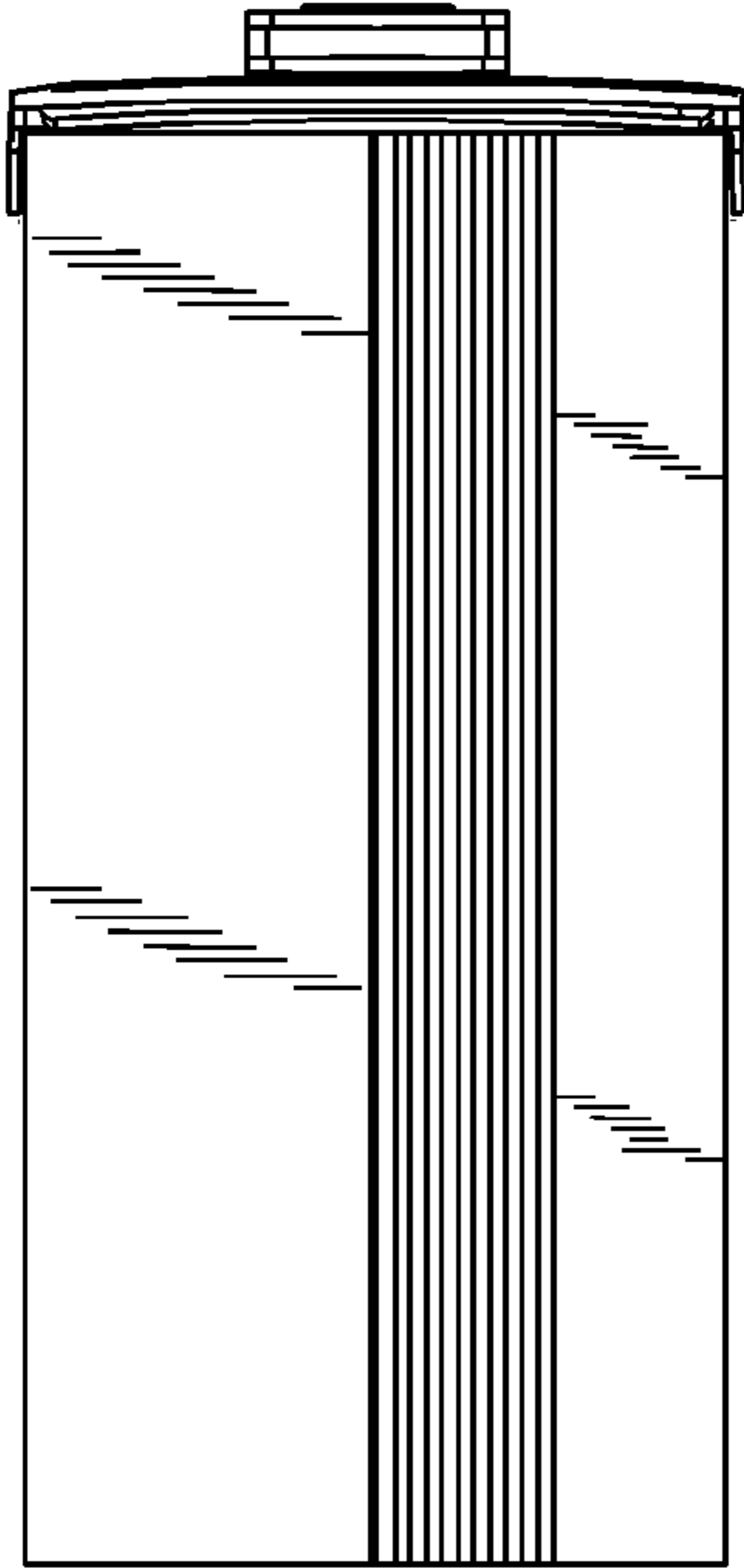


FIG. 1

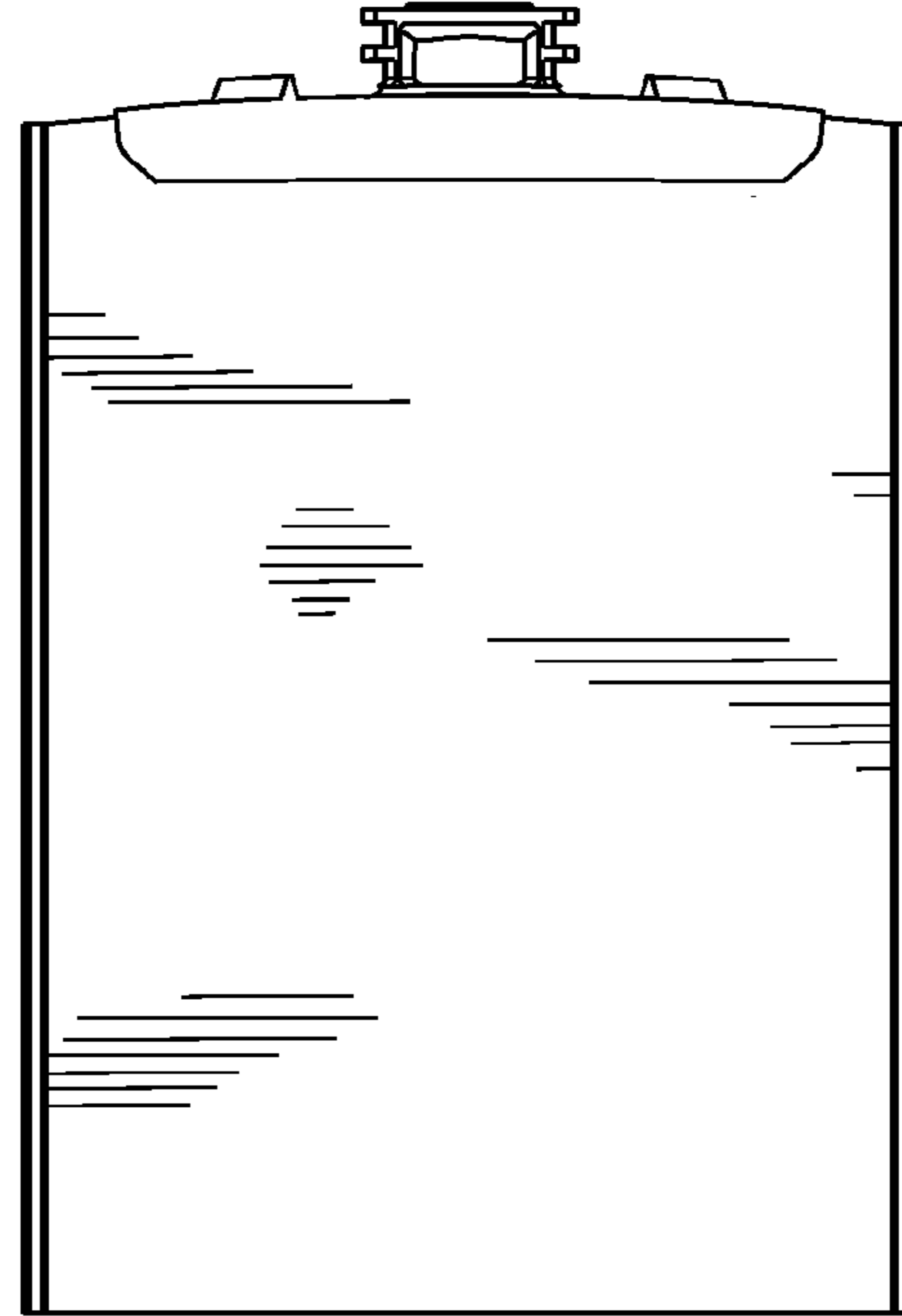


FIG. 2

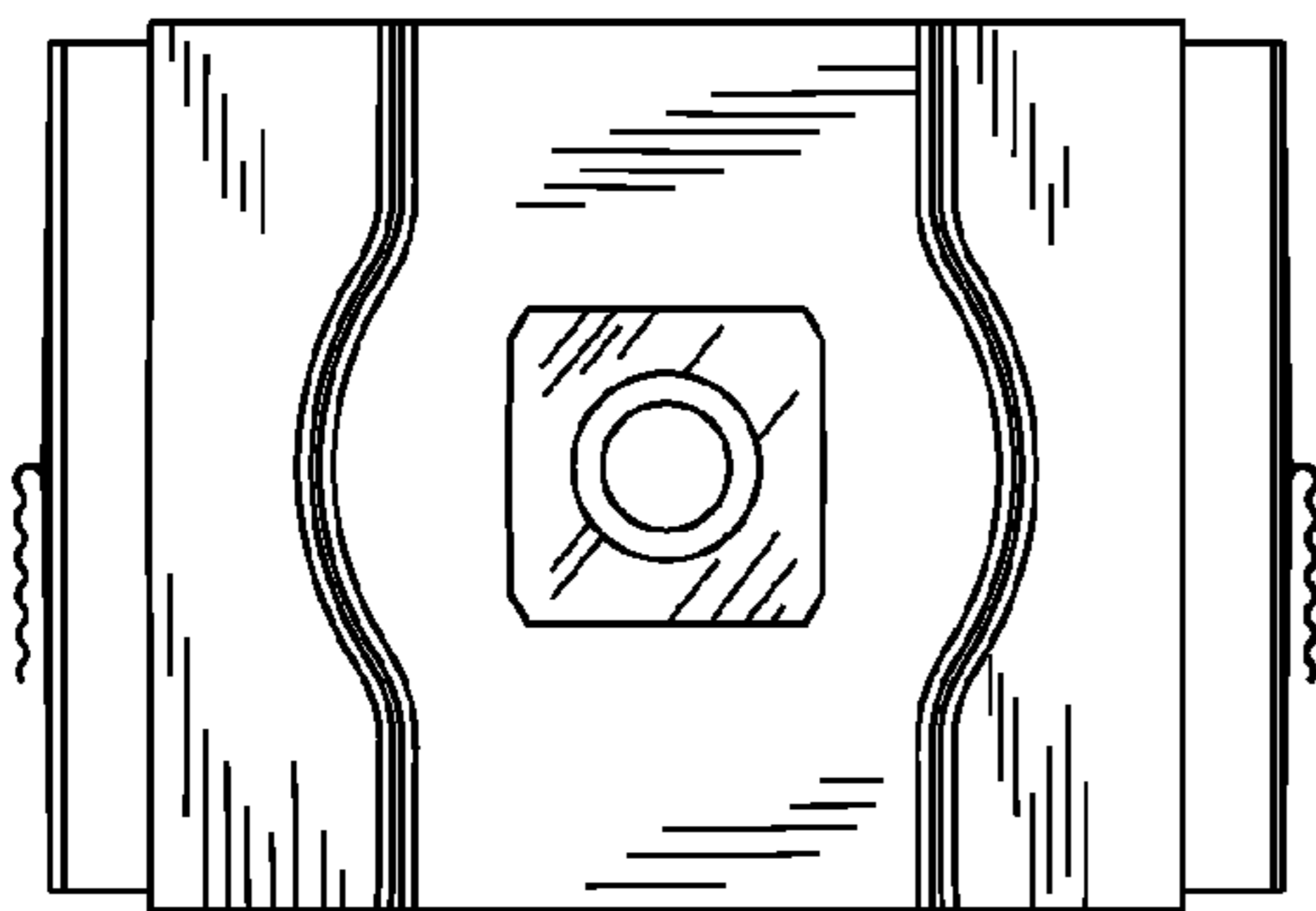


FIG. 3

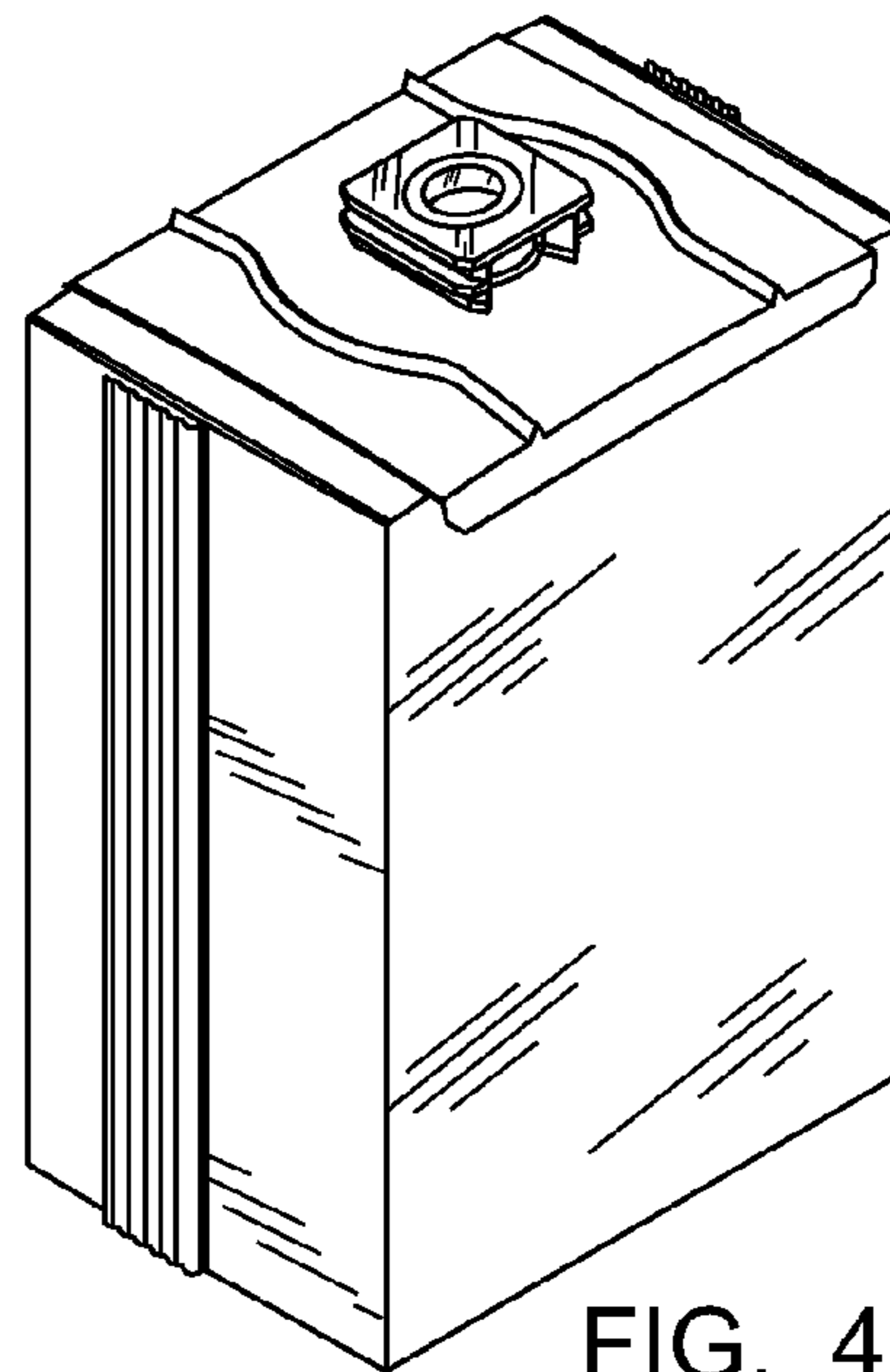


FIG. 4

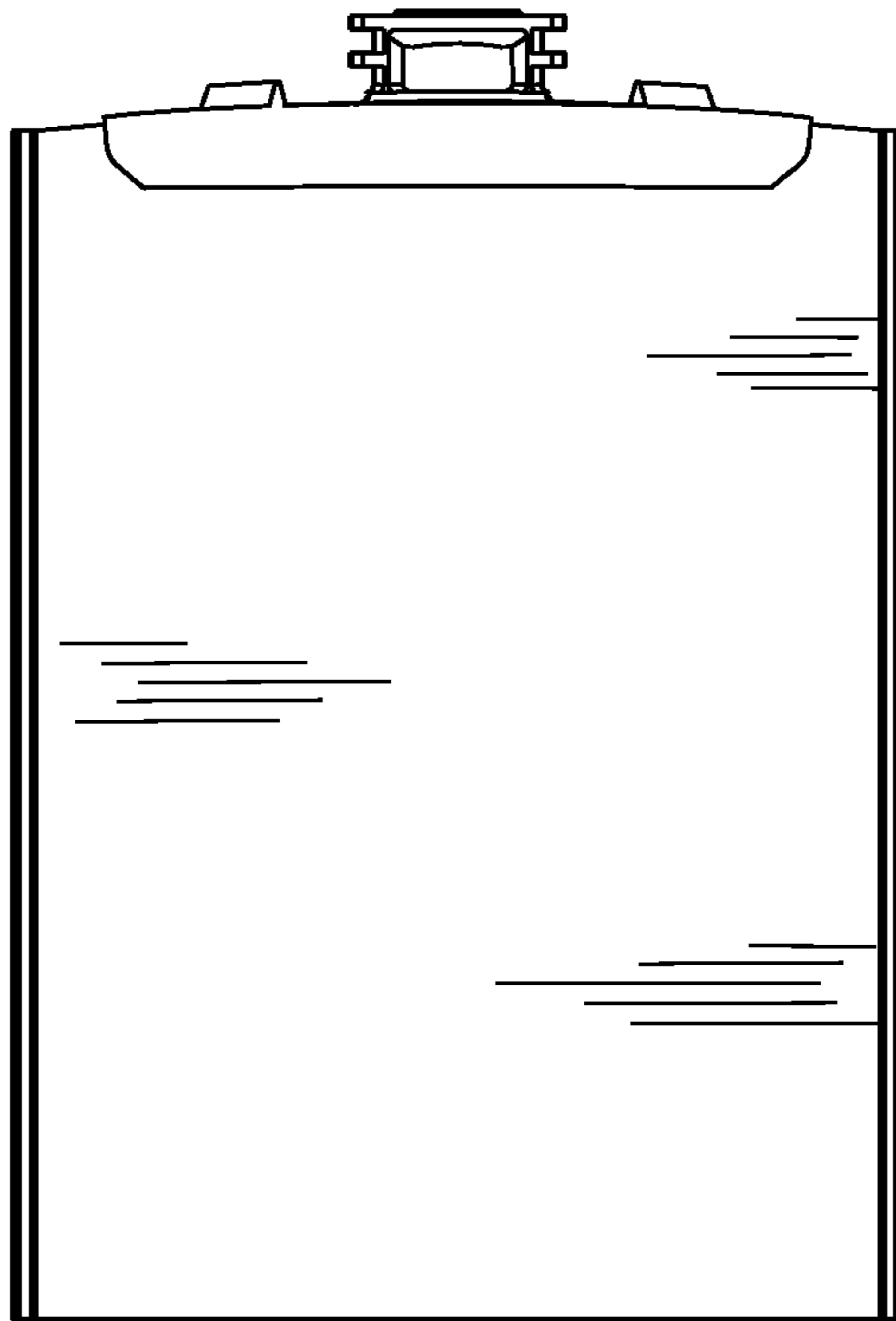


FIG. 5

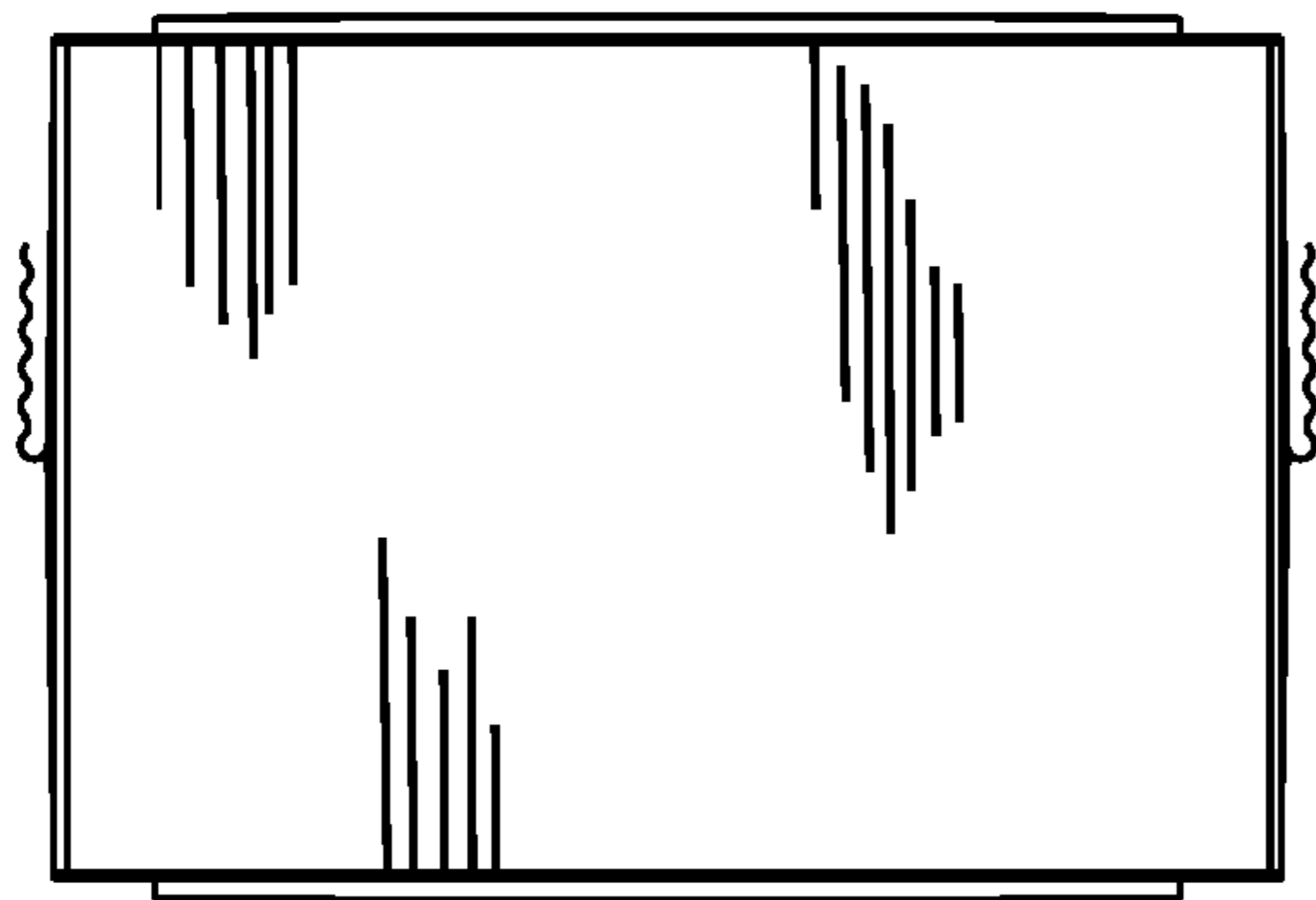


FIG: 6

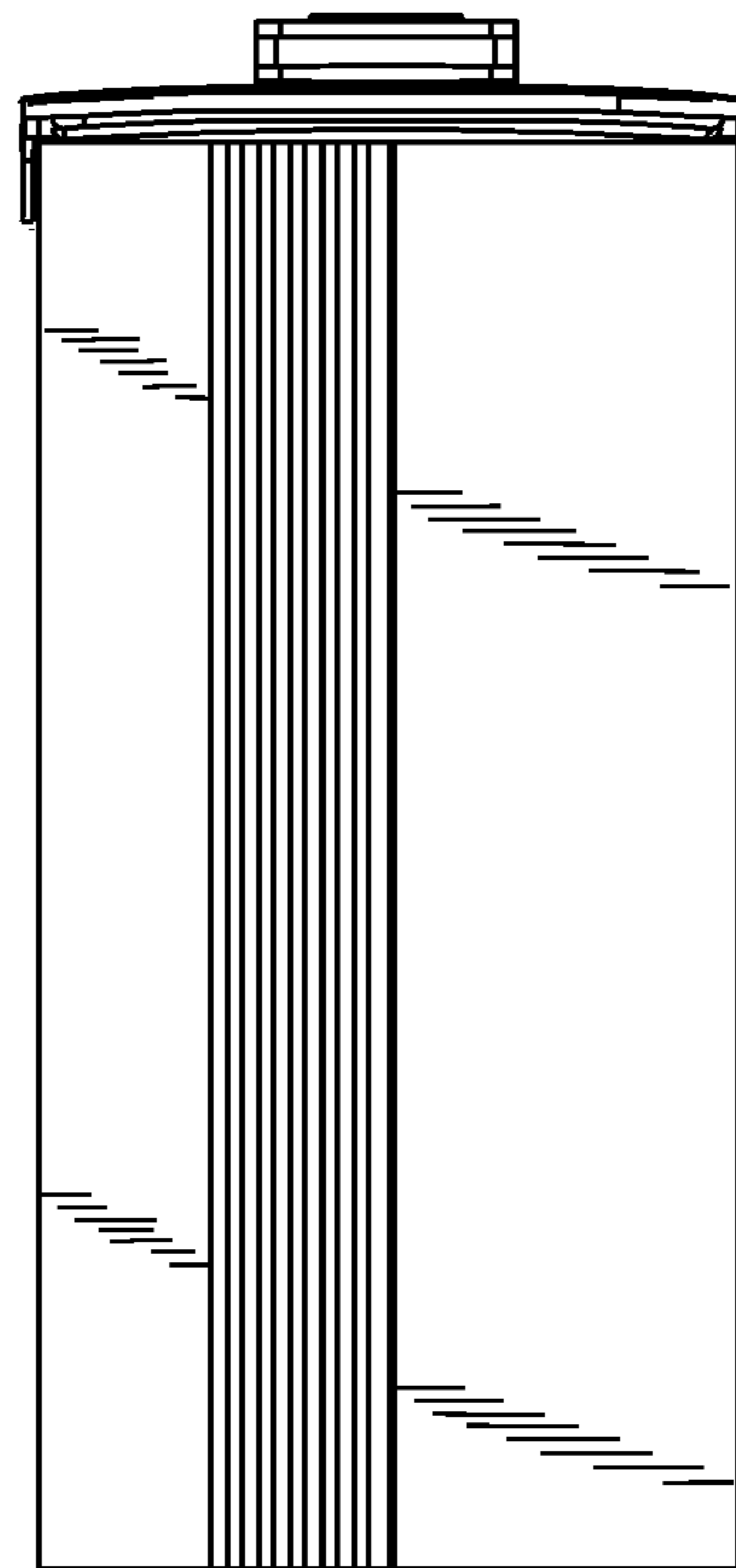


FIG. 7