



US00D588918S

(12) **United States Design Patent**
Young et al.

(10) **Patent No.:** **US D588,918 S**
(45) **Date of Patent:** **** Mar. 24, 2009**

(54) **CONTAINER BODY PORTION**

(75) Inventors: **William C. Young**, Ypsilanti, MI (US);
William A. Slat, Brooklyn, MI (US);
Richard C. Darr, Medina, OH (US);
Richard A. Lovelace, Jr., Munroe Falls,
OH (US)

(73) Assignee: **Plastipak Packaging, Inc.**, Plymouth,
MI (US)

(**) Term: **14 Years**

(21) Appl. No.: **29/326,128**

(22) Filed: **Oct. 13, 2008**

Related U.S. Application Data

(62) Division of application No. 29/280,457, filed on May
29, 2007, now Pat. No. Des. 580,766.

(51) **LOC (9) Cl.** **09-01**

(52) **U.S. Cl.** **D9/516; D9/530**

(58) **Field of Classification Search** D9/516,
D9/522, 530, 537, 539, 540, 542, 543, 545,
D9/549, 551, 558, 564, 571, 574, 575; 215/381-385,
215/396, 398

See application file for complete search history.

(56) **References Cited**

U.S. PATENT DOCUMENTS

D308,334 S * 6/1990 Gormley et al. D9/549
D322,027 S * 12/1991 Knudsen et al. D9/516
D333,704 S * 3/1993 Malcolm D24/197
D340,868 S * 11/1993 Gormley D9/558

D413,067 S * 8/1999 Haley D9/539
D445,693 S * 7/2001 Rashid D9/538
D510,034 S * 9/2005 Hong et al. D9/645
D524,159 S * 7/2006 Mooney D9/516
D552,477 S * 10/2007 Hermel D9/538
D563,788 S * 3/2008 Reimann et al. D9/516
D580,766 S * 11/2008 Young et al. D9/516
2005/0218108 A1 * 10/2005 Bangi et al. 215/384

* cited by examiner

Primary Examiner—Stella M Reid

Assistant Examiner—Elizabeth J Oswecki

(74) *Attorney, Agent, or Firm*—Dykema Gossett PLLC

(57) **CLAIM**

The ornamental design for a container body portion, as shown
and described.

DESCRIPTION

FIG. 1 is a top, front, and right side perspective view of a
container body portion showing our new design;

FIG. 2 is a front elevational view thereof;

FIG. 3 is a rear elevational view thereof;

FIG. 4 is a right side elevational view thereof;

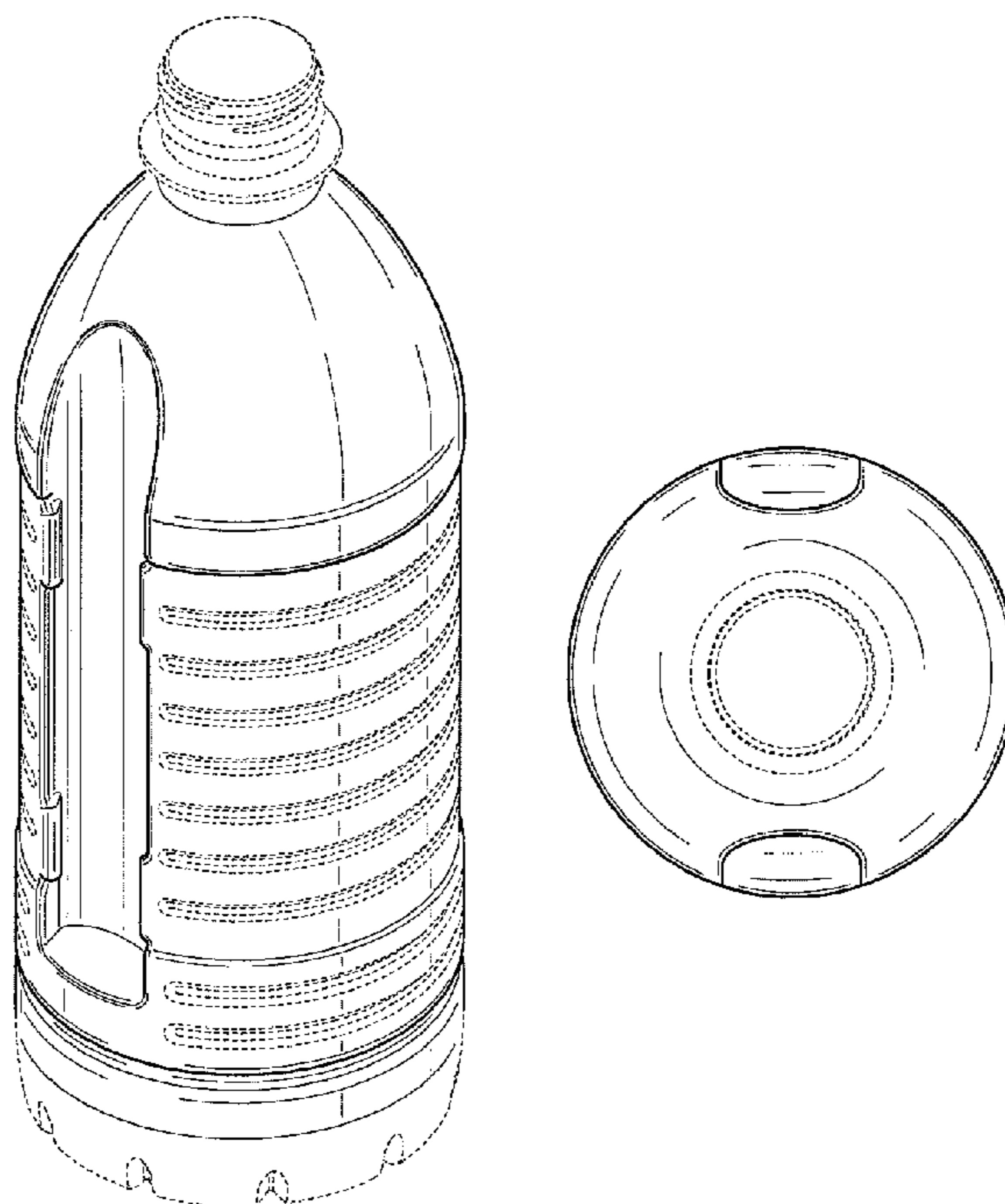
FIG. 5 is a left side elevational view thereof;

FIG. 6 is a top plan view thereof; and,

FIG. 7 is a bottom plan view thereof.

The broken line showing of the pour spout, bottom of the
container, and the side grooves on the container are included
for the purpose of illustrating only and forms no part of the
claimed design.

1 Claim, 6 Drawing Sheets



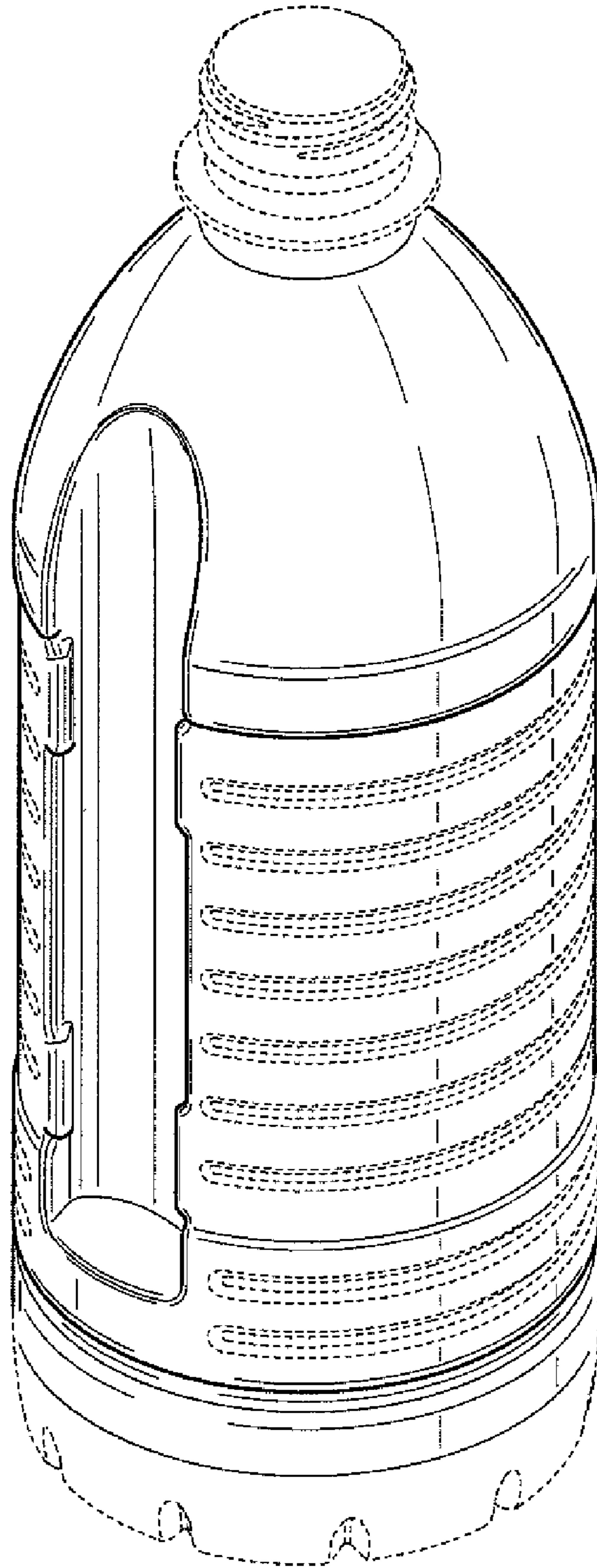


FIG. 1

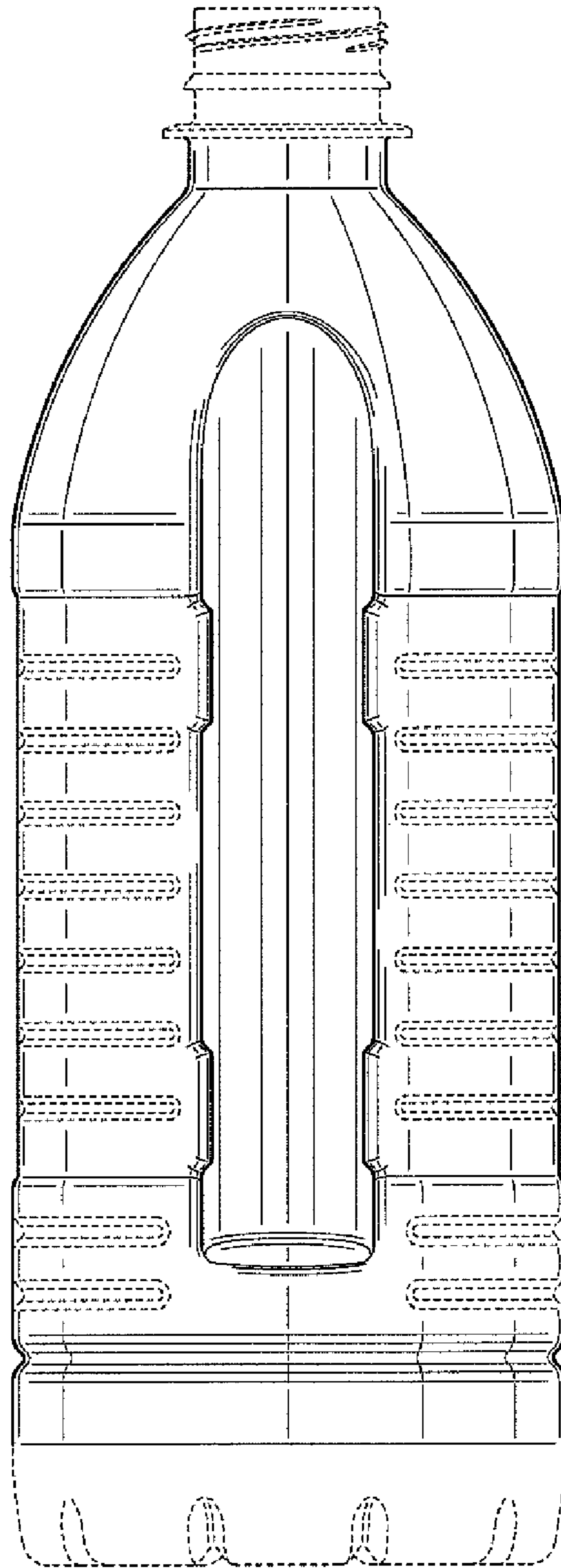


FIG. 2

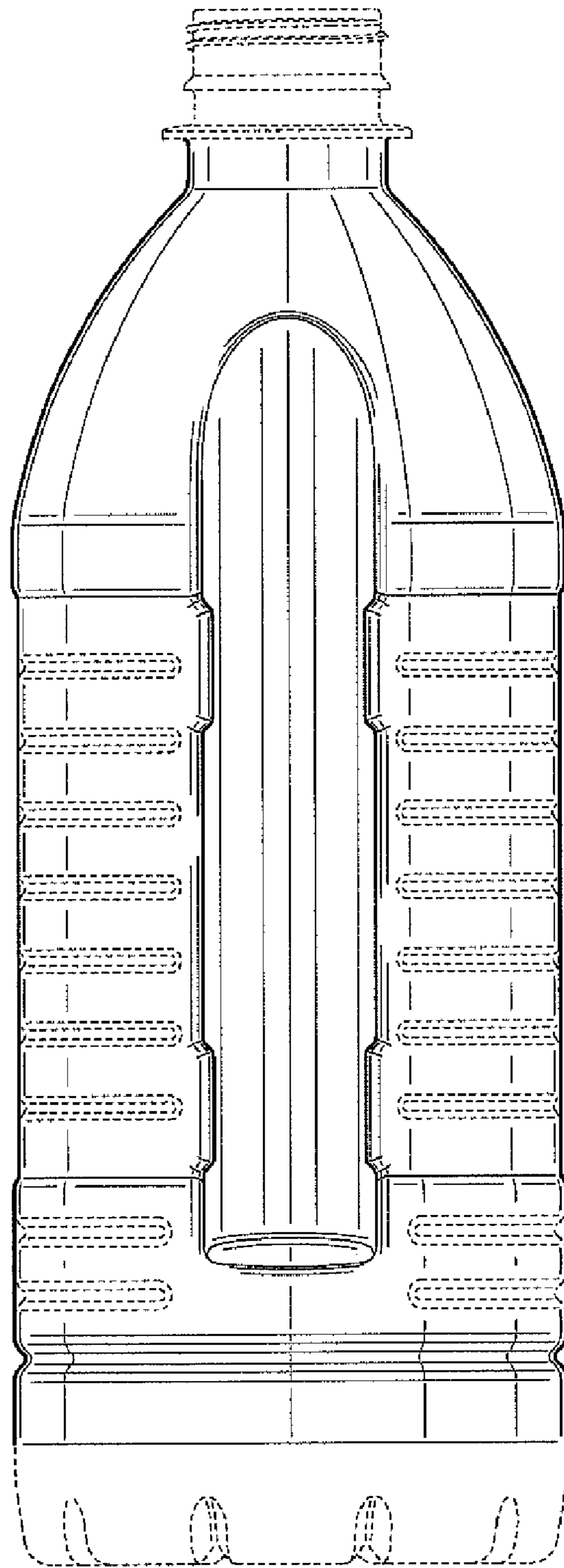


FIG. 3

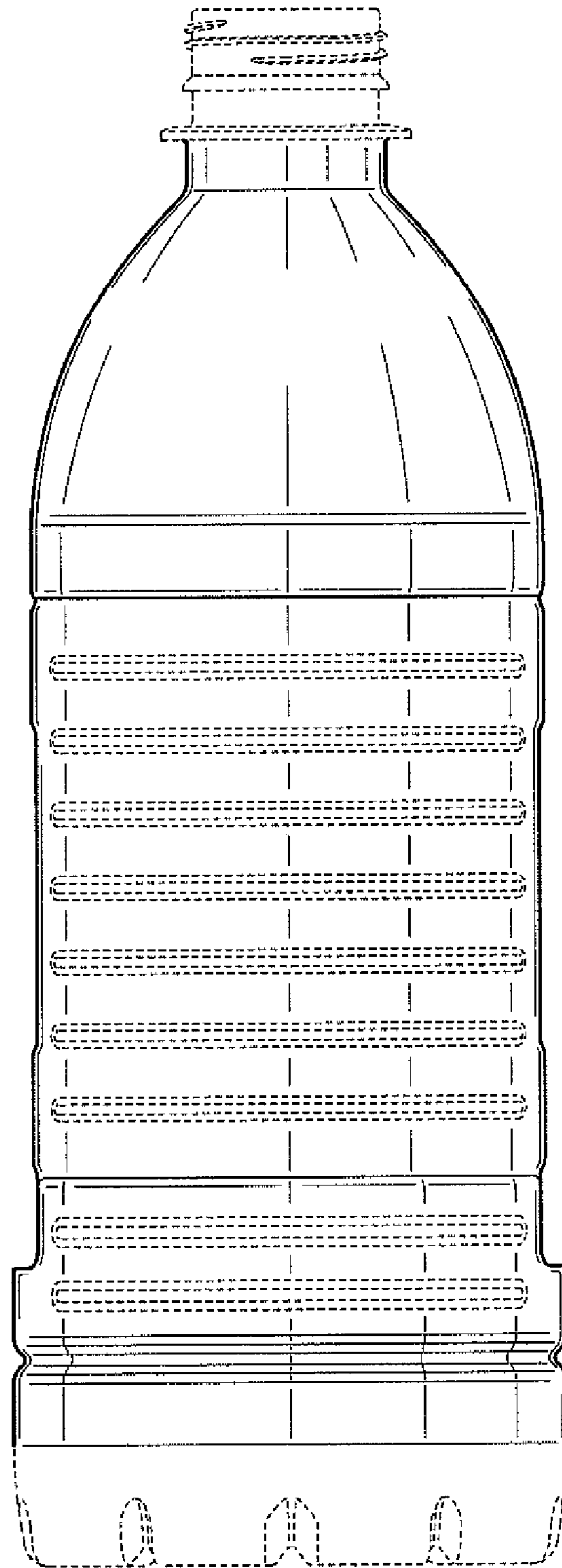


FIG. 4

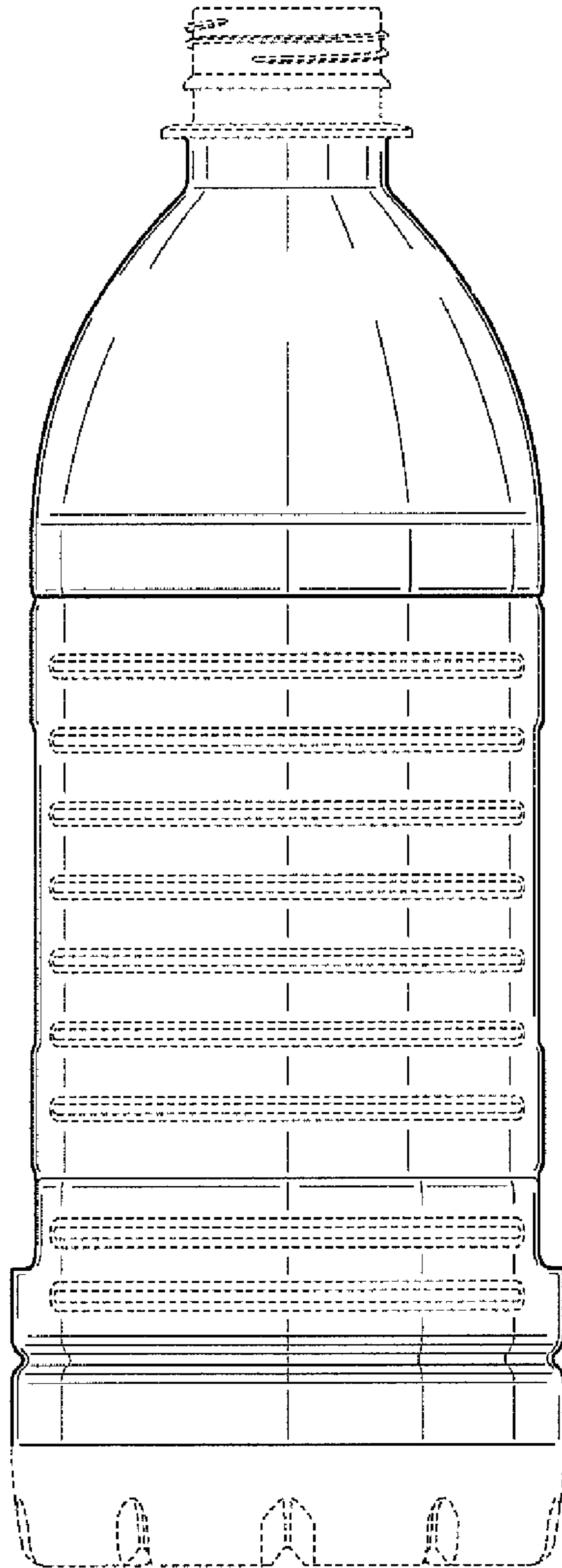


FIG. 5

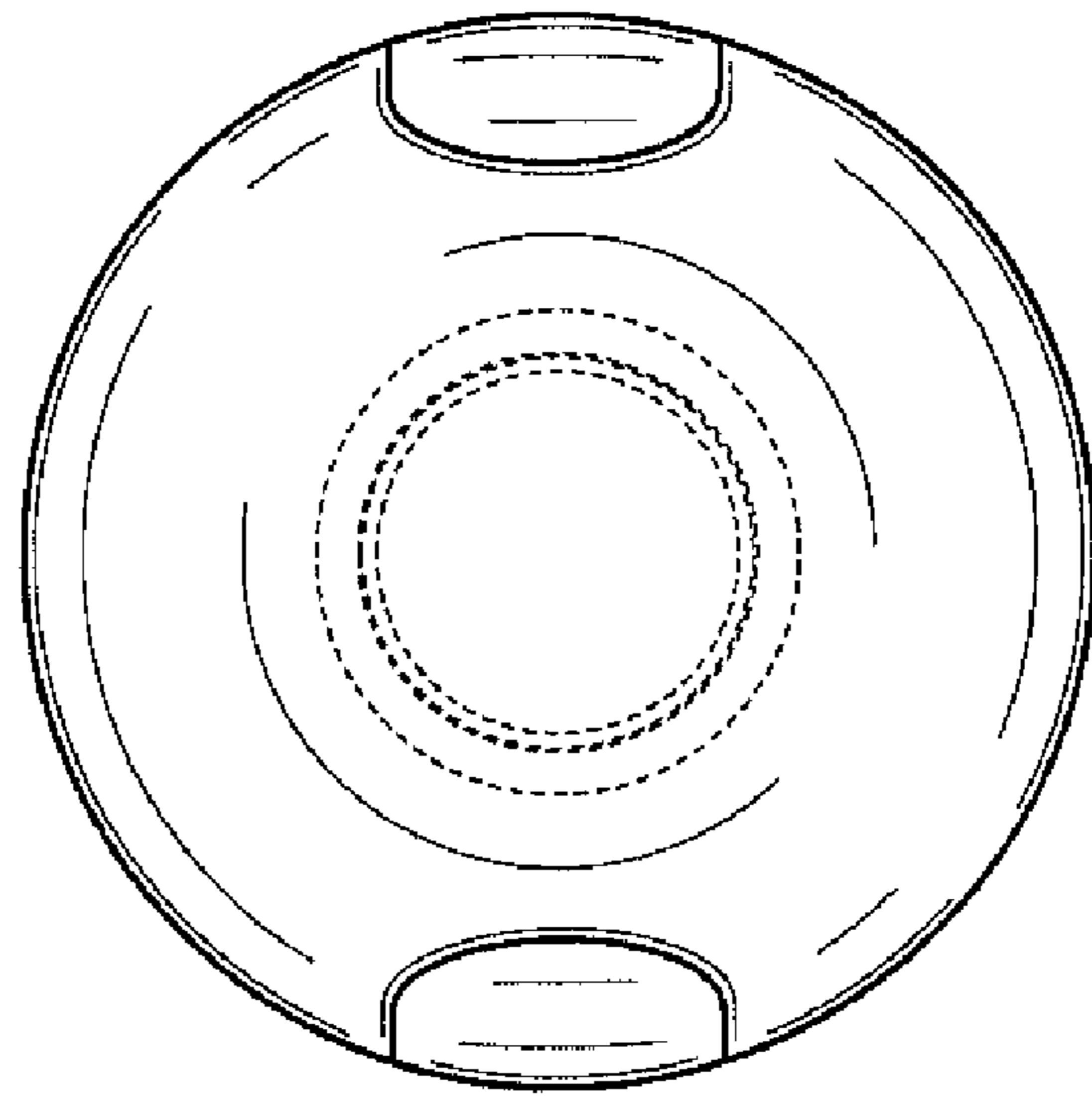


FIG. 6

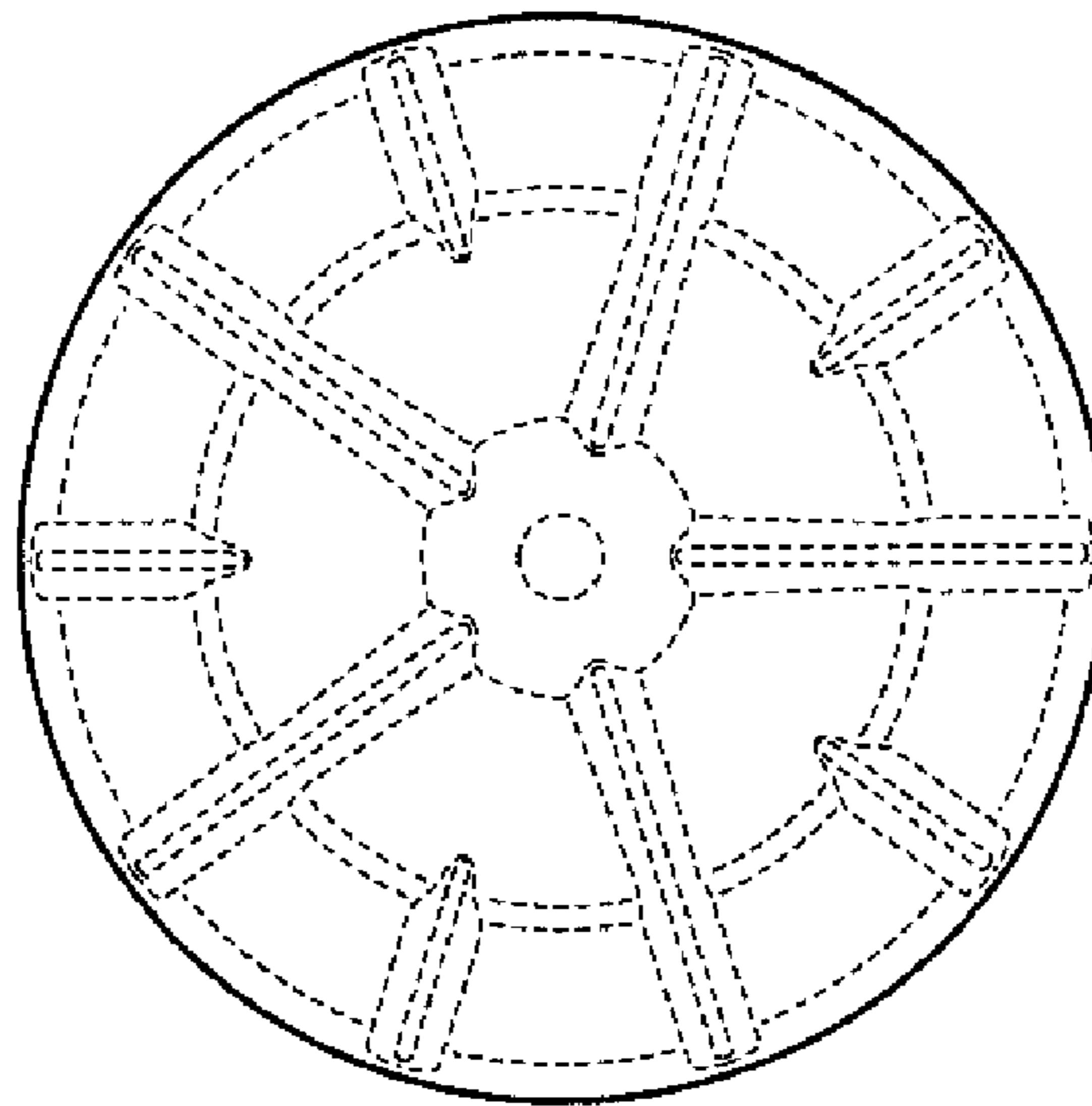


FIG. 7