



US00D588915S

(12) **United States Design Patent**  
**Lohrman et al.**

(10) **Patent No.:** **US D588,915 S**  
(45) **Date of Patent:** **\*\* Mar. 24, 2009**

(54) **DISPENSING CLOSURE FOR CONTAINER**

(75) Inventors: **Richard D. Lohrman**, North Aurora, IL (US); **Yu Ling Zhang**, Shanghai (CN)

(73) Assignee: **Portola Packaging, Inc.**, Batavia, IL (US)

(\*\*) Term: **14 Years**

(21) Appl. No.: **29/323,096**

(22) Filed: **Aug. 18, 2008**

(51) **LOC (9) Cl.** ..... **09-07**

(52) **U.S. Cl.** ..... **D9/449; D9/453**

(58) **Field of Classification Search** ..... D9/716, D9/715, 454, 453, 452, 450, 449, 447, 446, D9/443, 438, 436, 435, 434; D7/643, 638, D7/505, 396.2, 392, 392.1, 305; 426/120; 229/404, 401; 222/556, 480; 220/810, 713, 220/375, 254.1–254.9; 215/236, 235; 206/807  
See application file for complete search history.

(56) **References Cited**

**U.S. PATENT DOCUMENTS**

D436,040	S *	1/2001	Warner et al.	.....	D9/449
6,367,670	B1 *	4/2002	Warner et al.	.....	222/556
D468,639	S *	1/2003	Wennerstrom et al.	.....	D9/449
D476,892	S *	7/2003	Martin et al.	.....	D9/449
D580,762	S *	11/2008	Wilson et al.	.....	D9/449
2008/0264961	A1 *	10/2008	Sawyer	.....	220/810

\* cited by examiner

*Primary Examiner*—Susan Bennett Hattan

(74) *Attorney, Agent, or Firm*—James P. Hanrath; Adam K. Sacharoff

(57) **CLAIM**

The ornamental design for a dispensing closure for a container, as shown and described.

**DESCRIPTION**

FIG. 1 is a perspective view of a dispensing closure for container, with lid being in an open position, showing our new design.

FIG. 2 is a front view thereof;

FIG. 3 is a back view thereof;

FIG. 4 is a left side view thereof;

FIG. 5 is a right side view thereof;

FIG. 6 is a top plan view thereof; and

FIG. 7 is a bottom view thereof.

FIG. 8 is a perspective view of a dispensing closure for container, with lid being in a closed position, showing our new design.

FIG. 9 is a front view thereof;

FIG. 10 is a back view thereof;

FIG. 11 is a left side view thereof;

FIG. 12 is a right side view thereof;

FIG. 13 is a top plan view thereof; and,

FIG. 14 is a bottom view thereof.

**1 Claim, 14 Drawing Sheets**

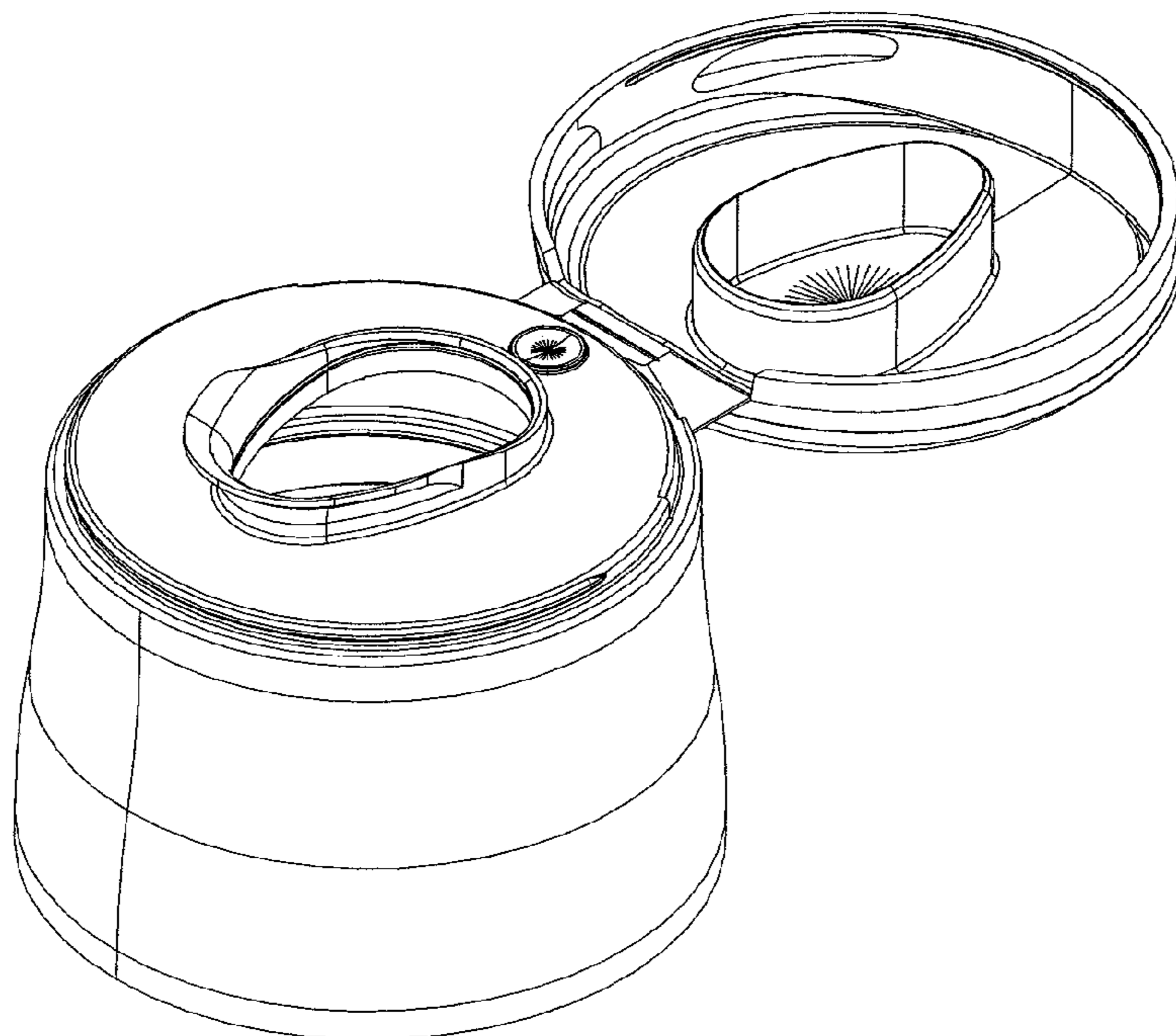


FIG. 1

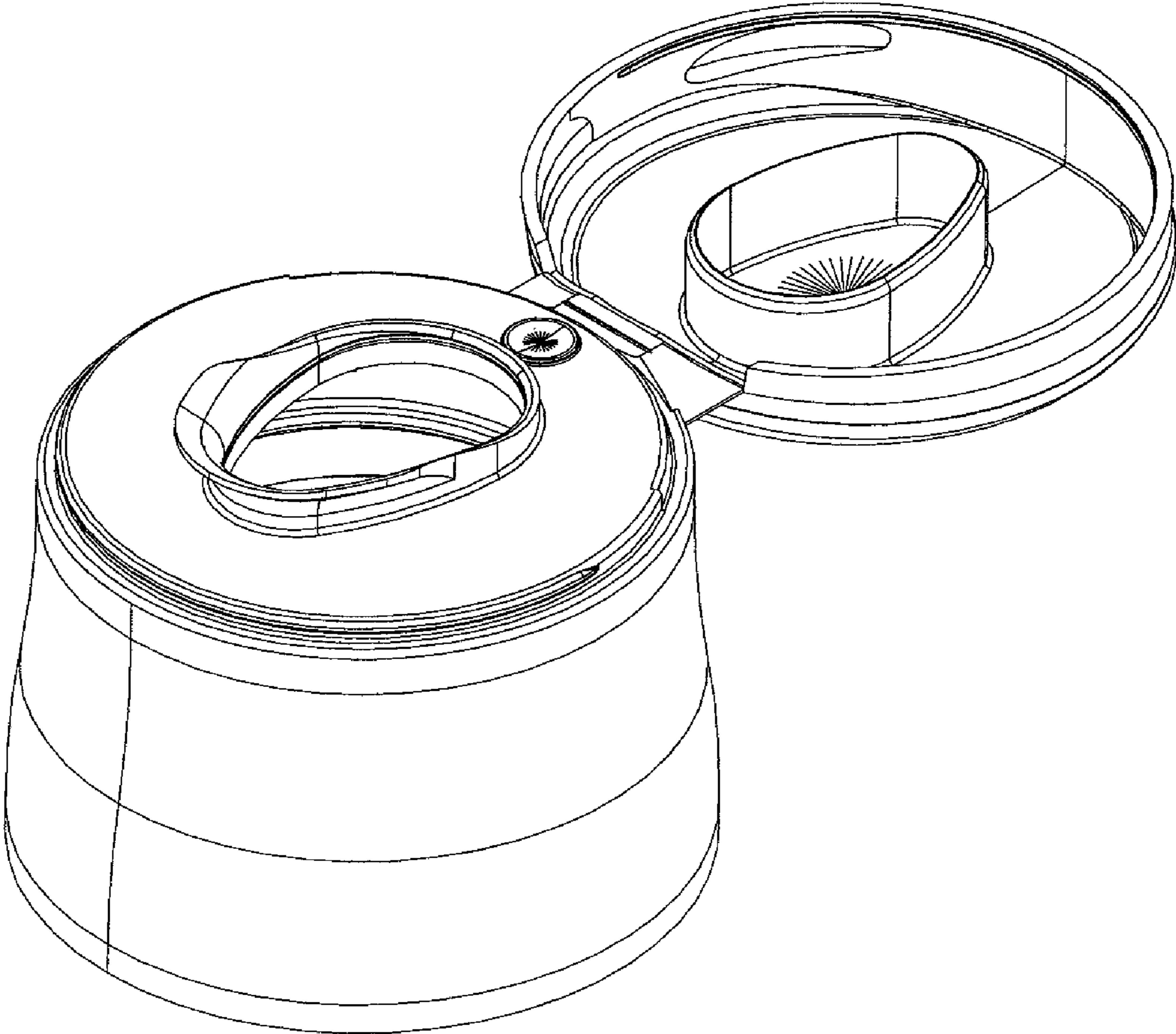


FIG. 2

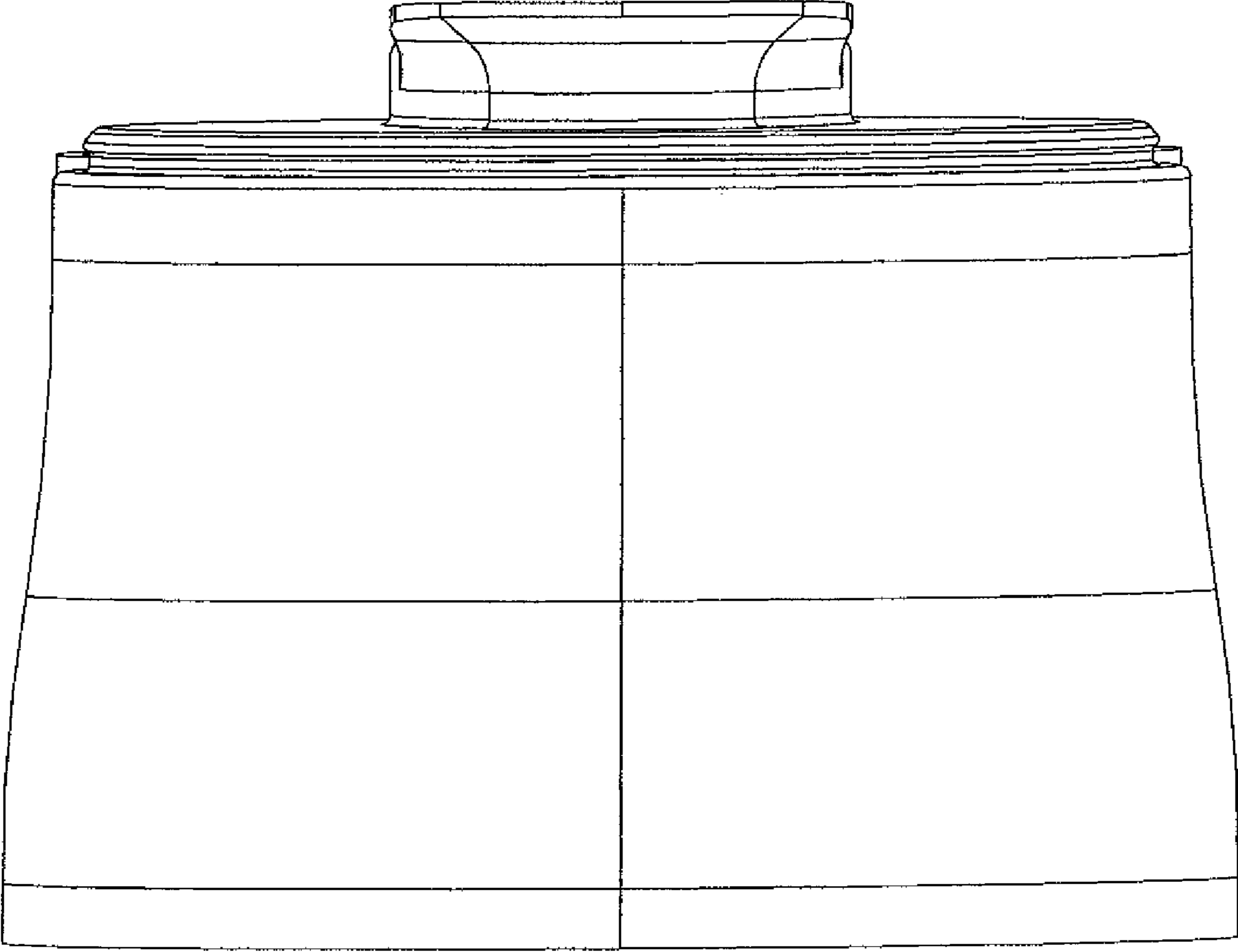


FIG. 3

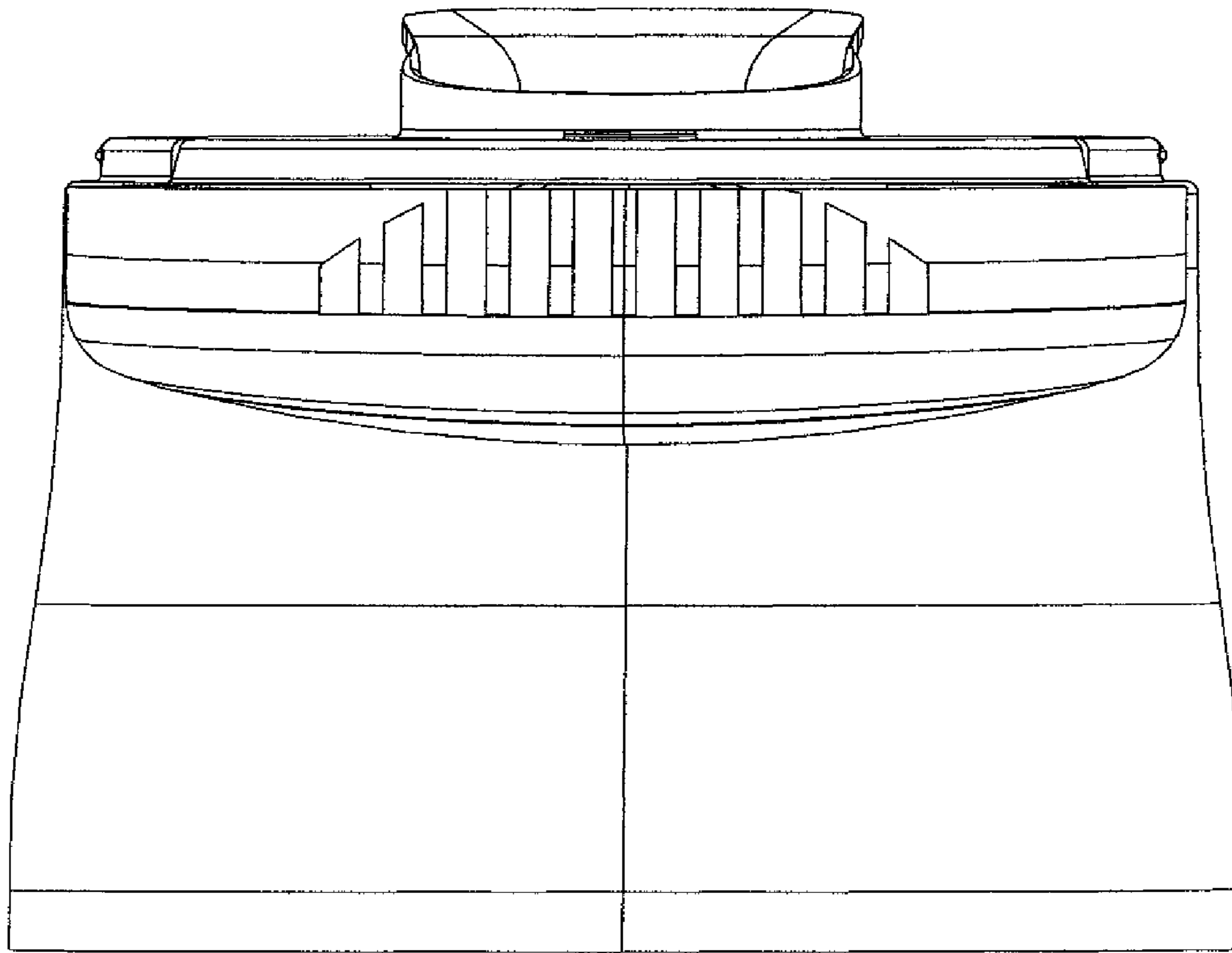


FIG. 4

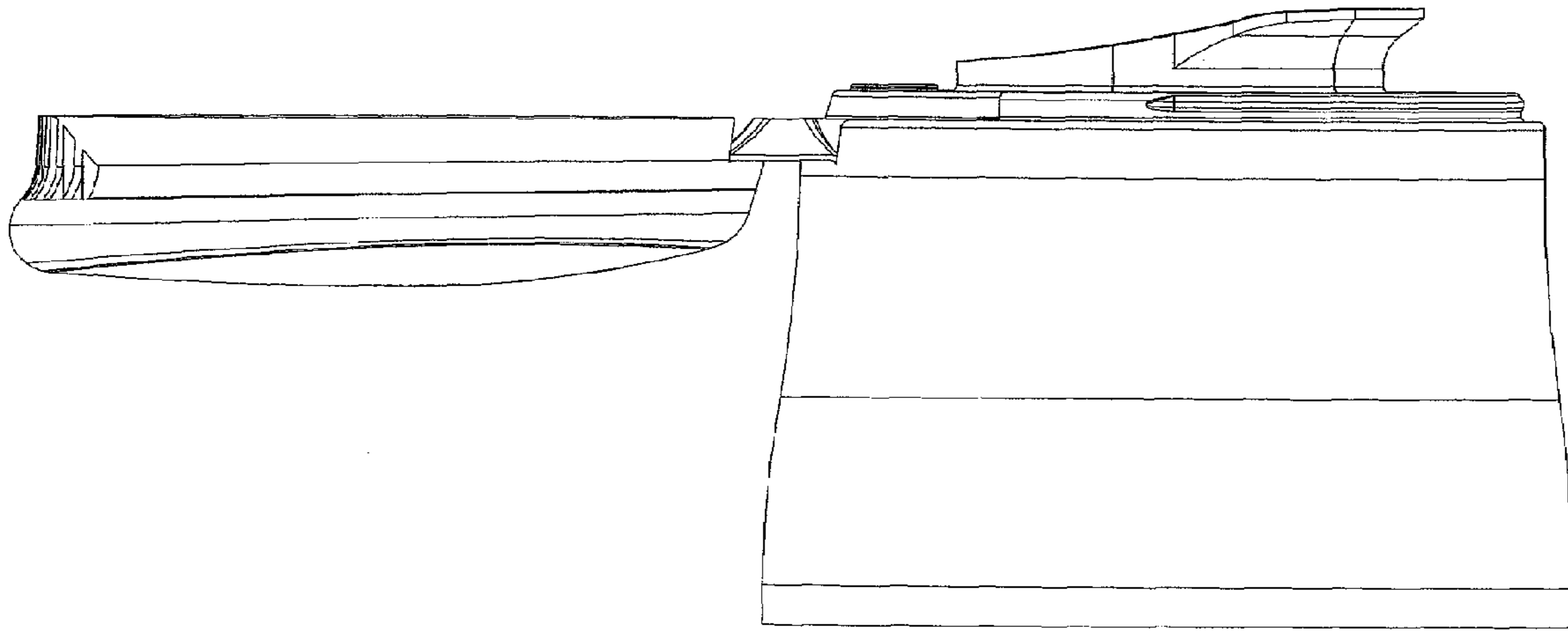


FIG. 5

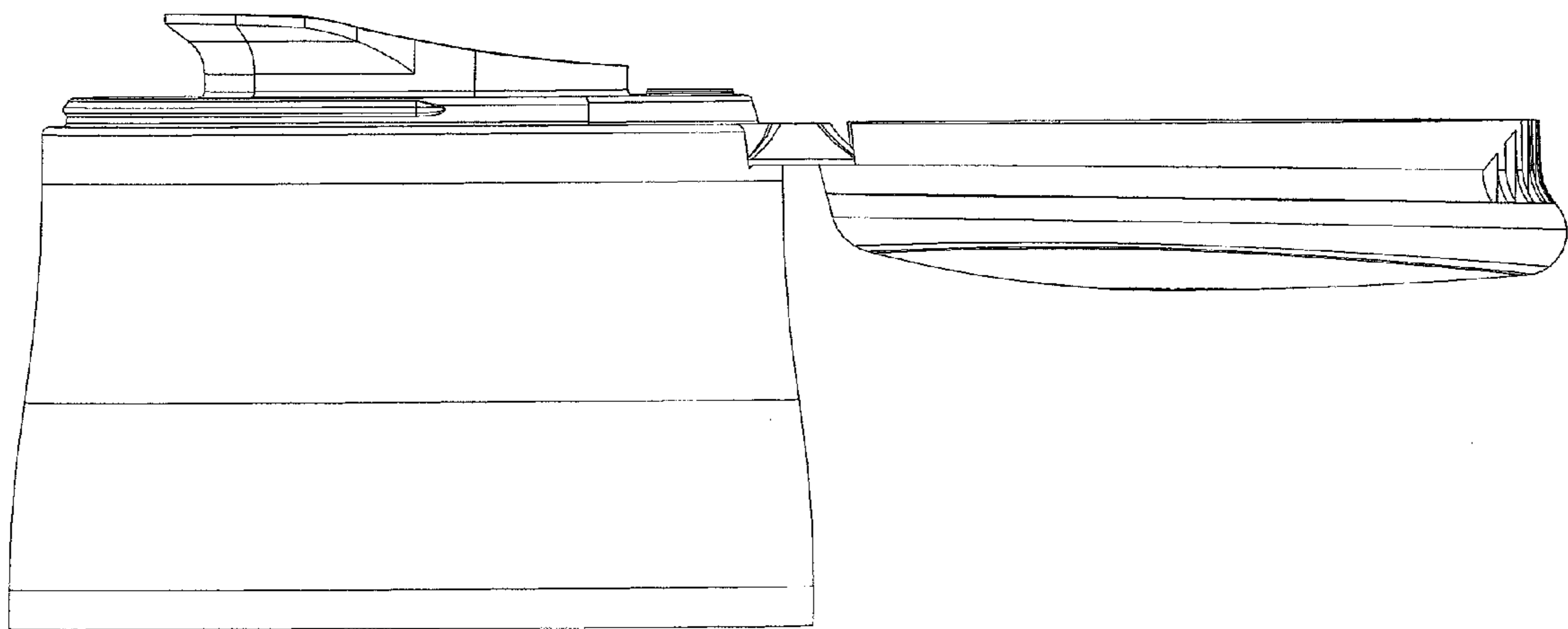


FIG. 6

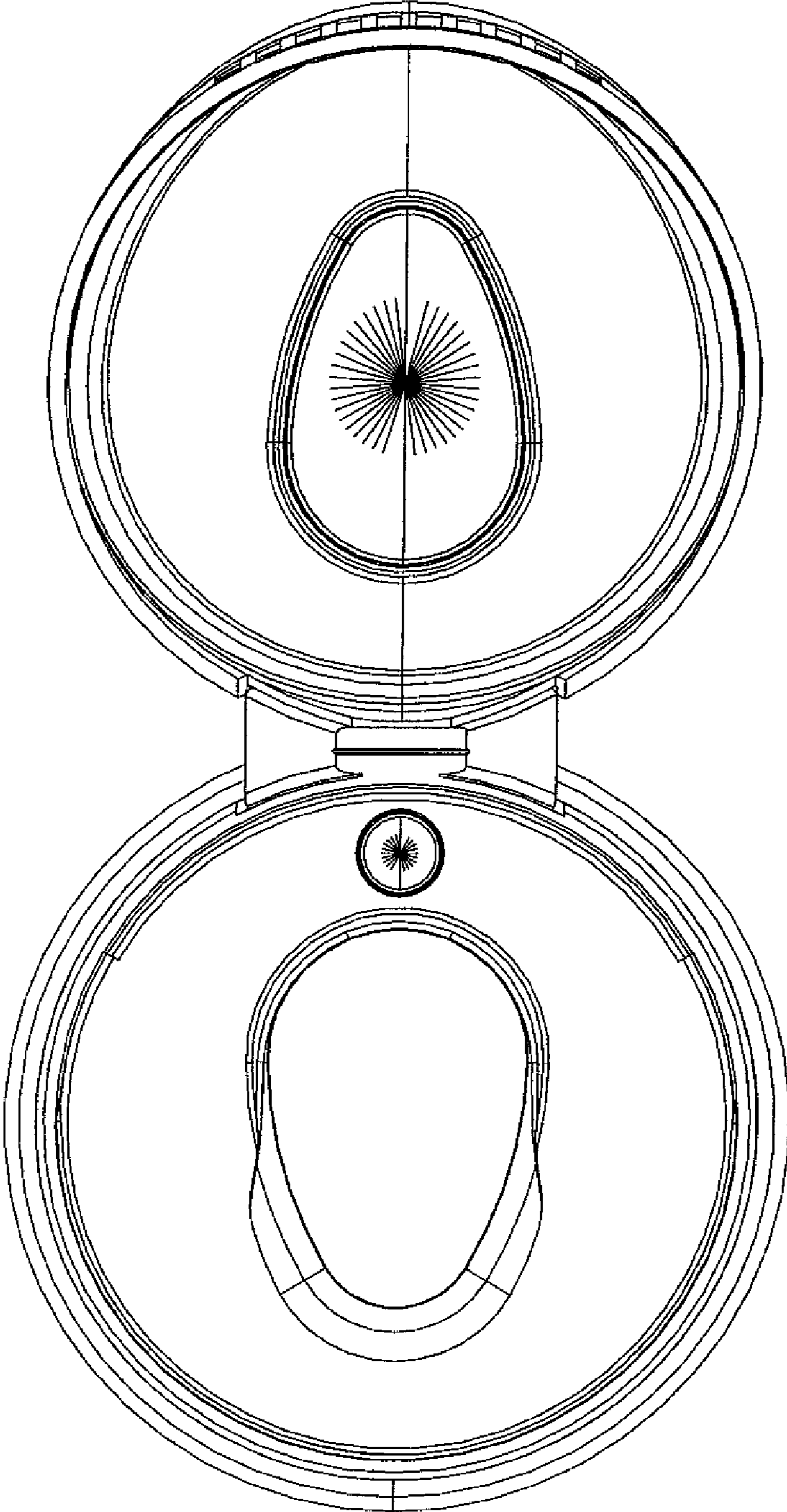


FIG. 7

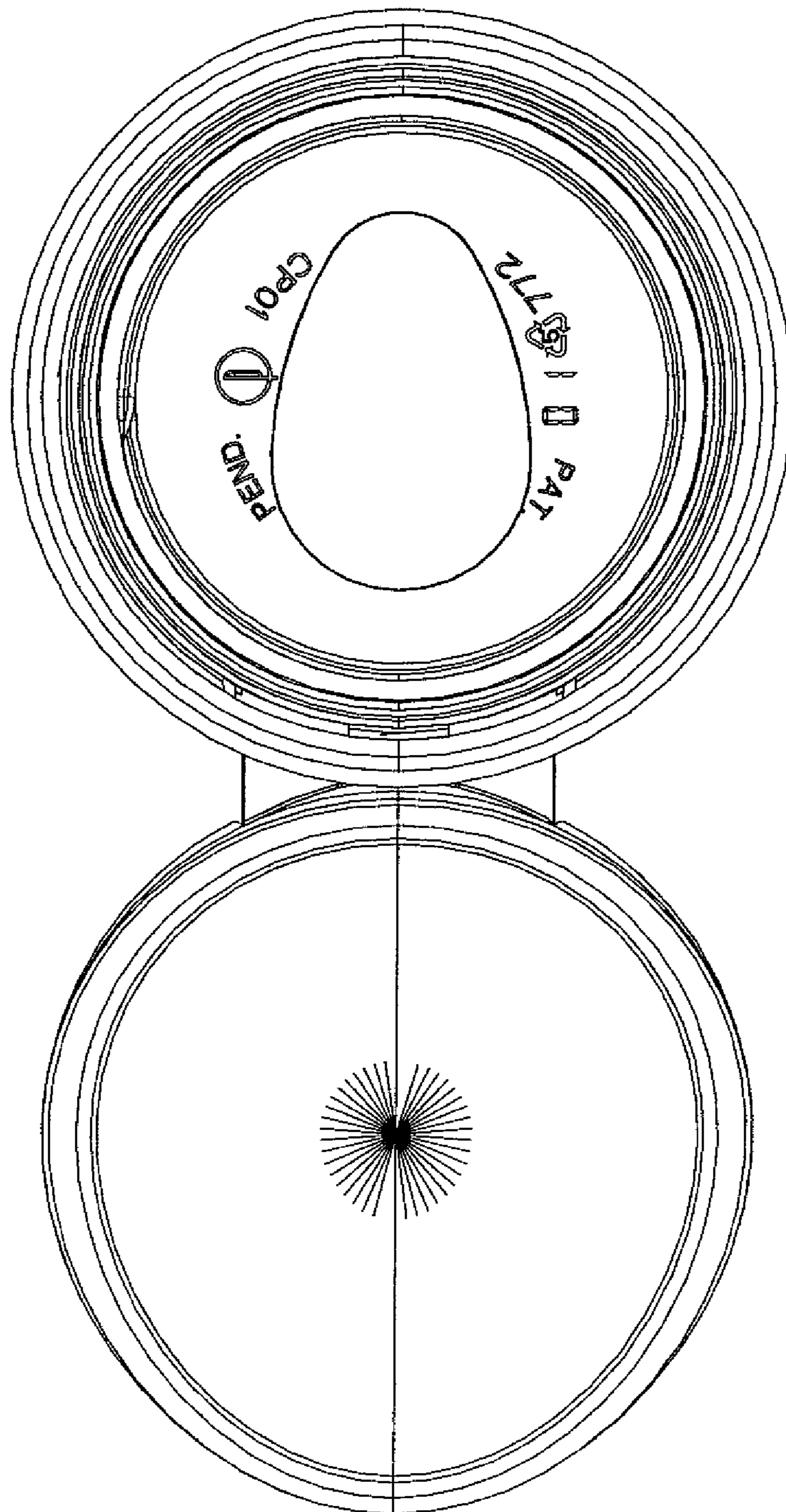




FIG. 8

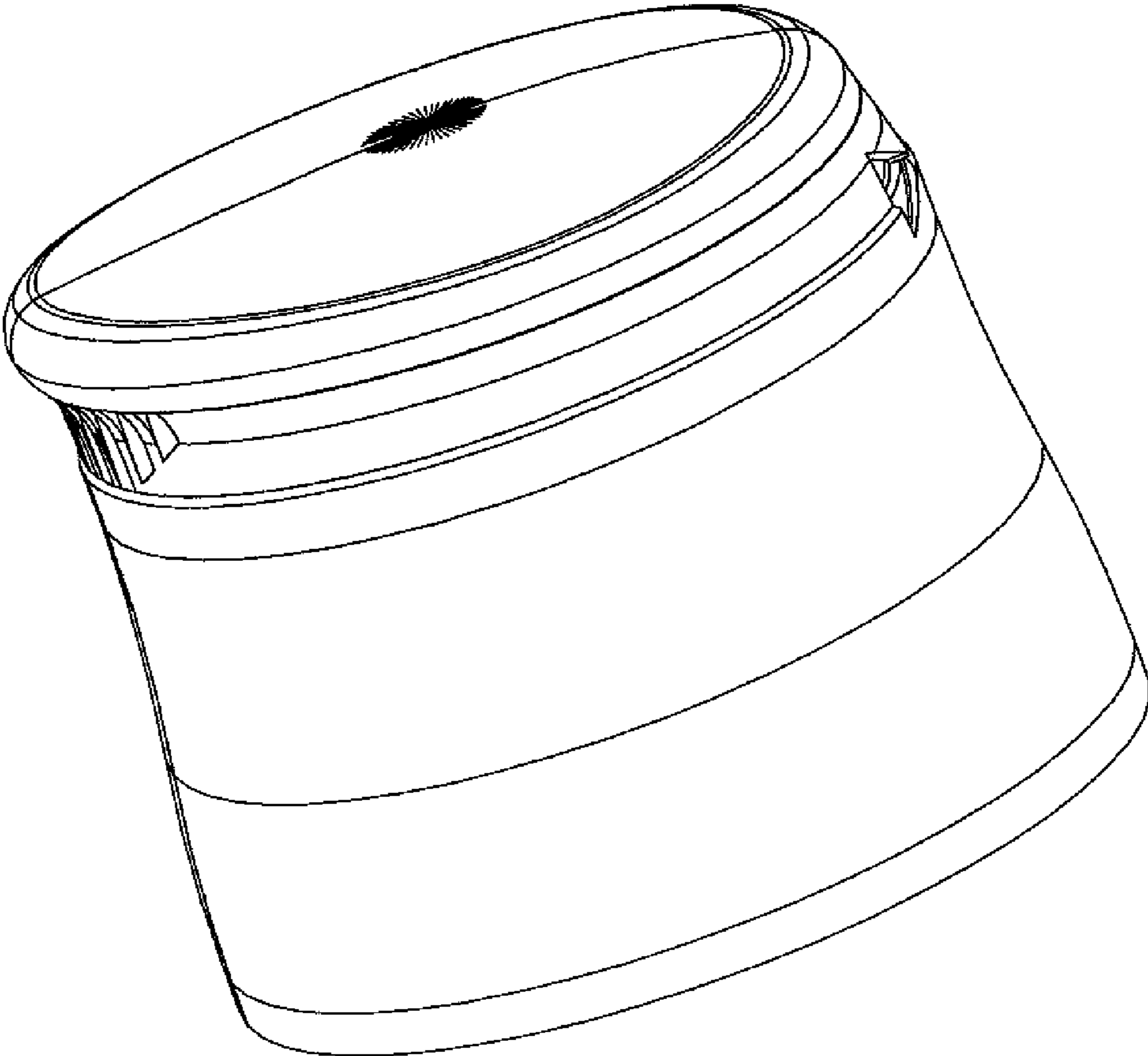


FIG. 9

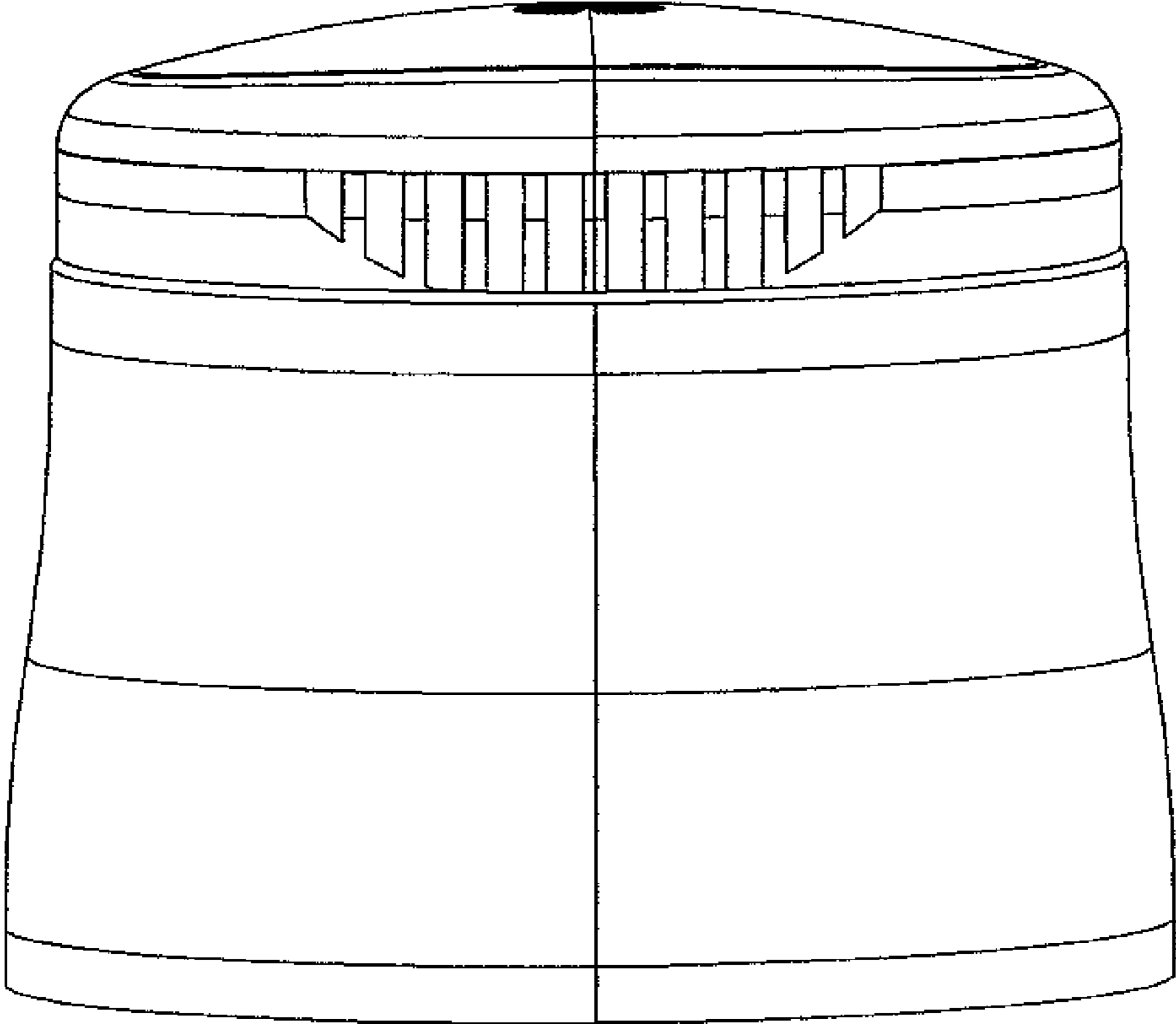


FIG. 10

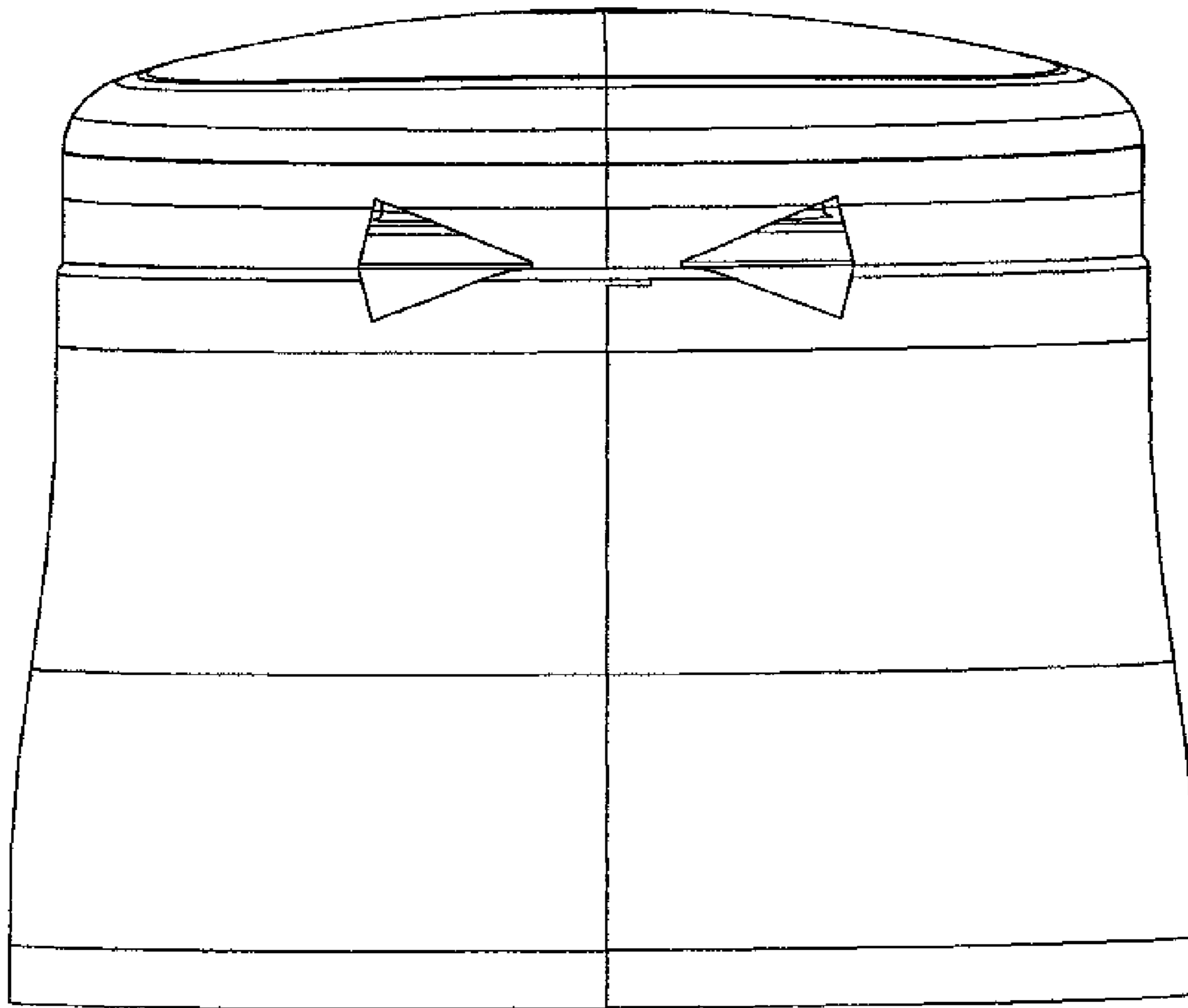


FIG. 11

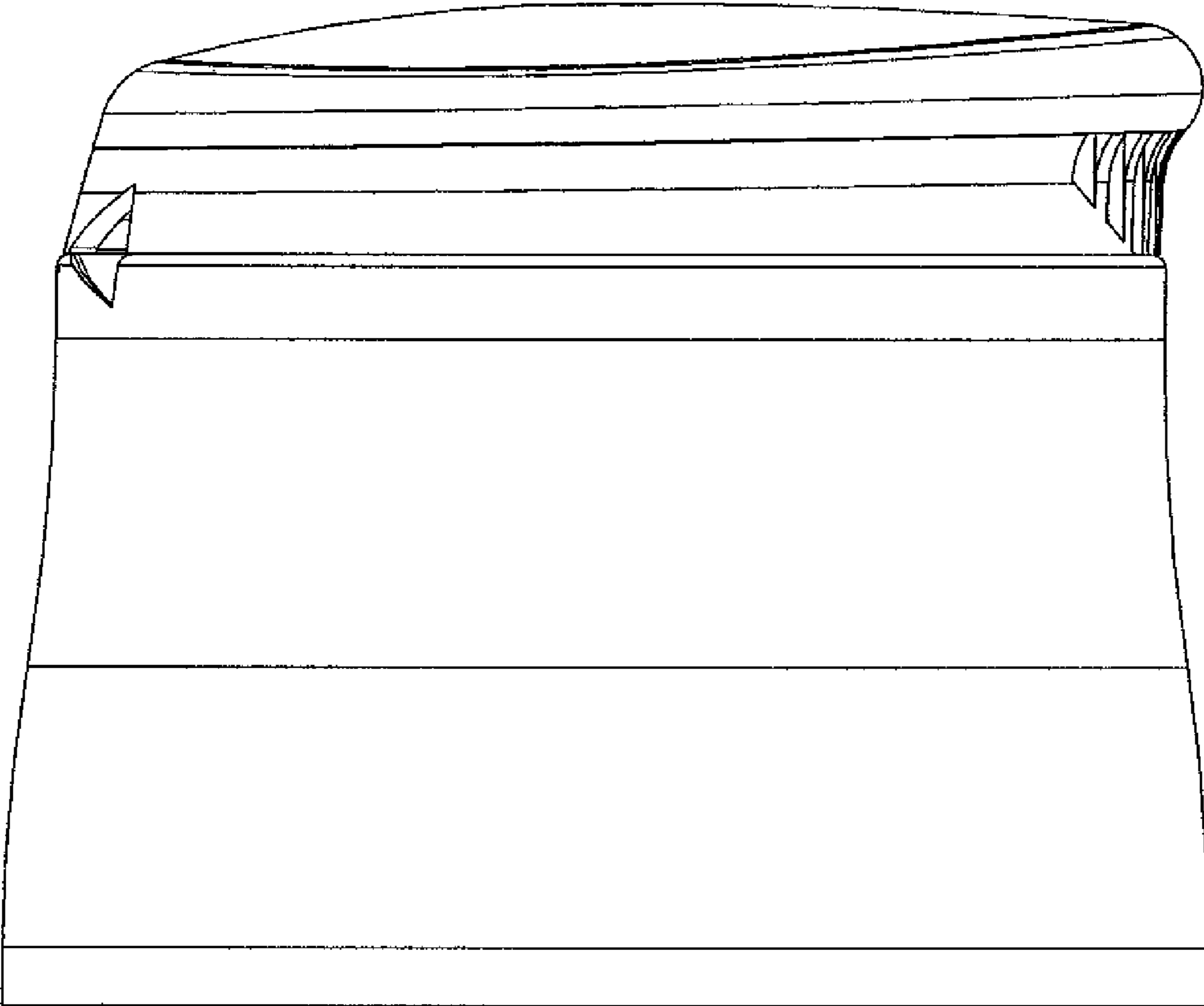


FIG. 12

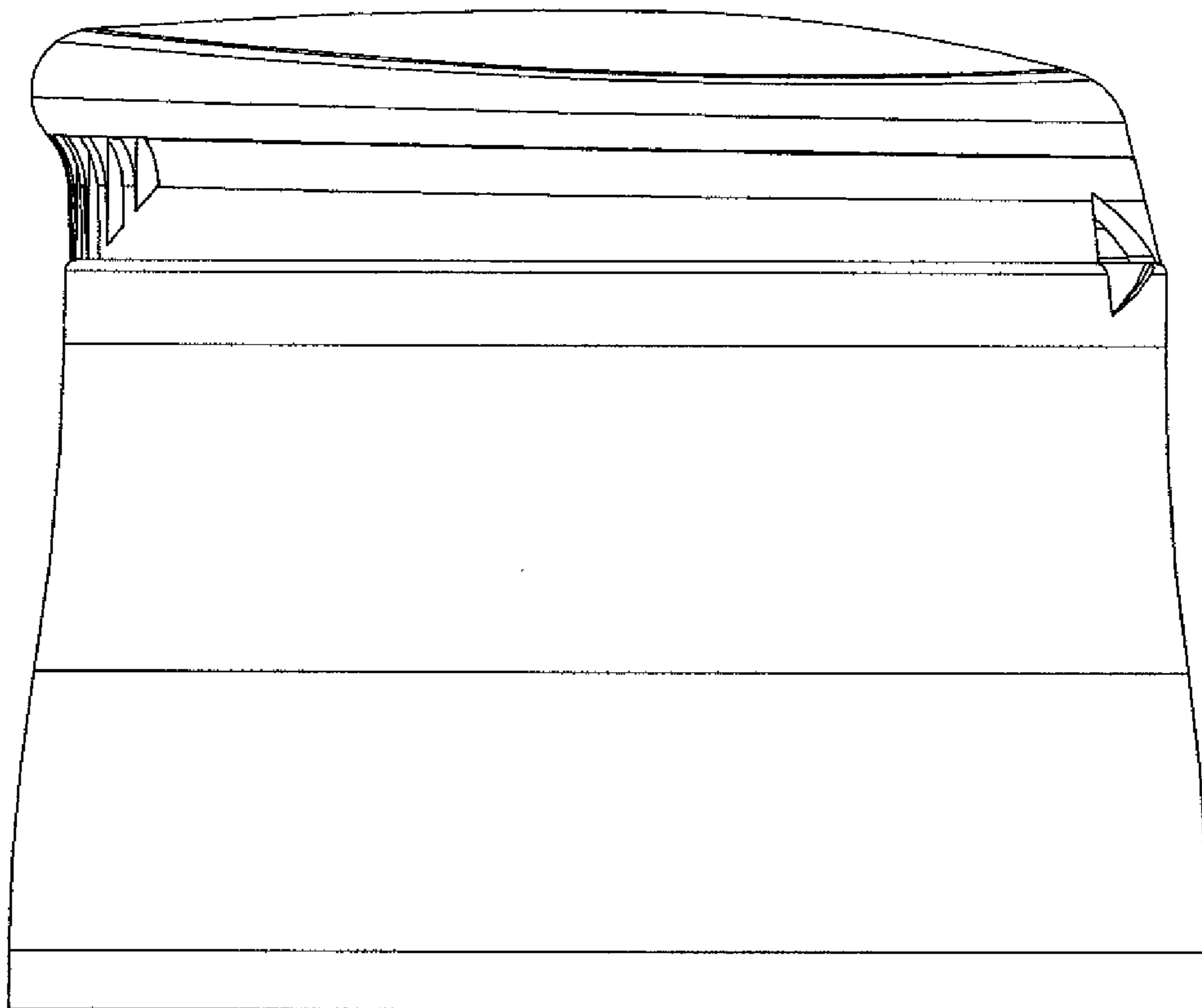


FIG. 13

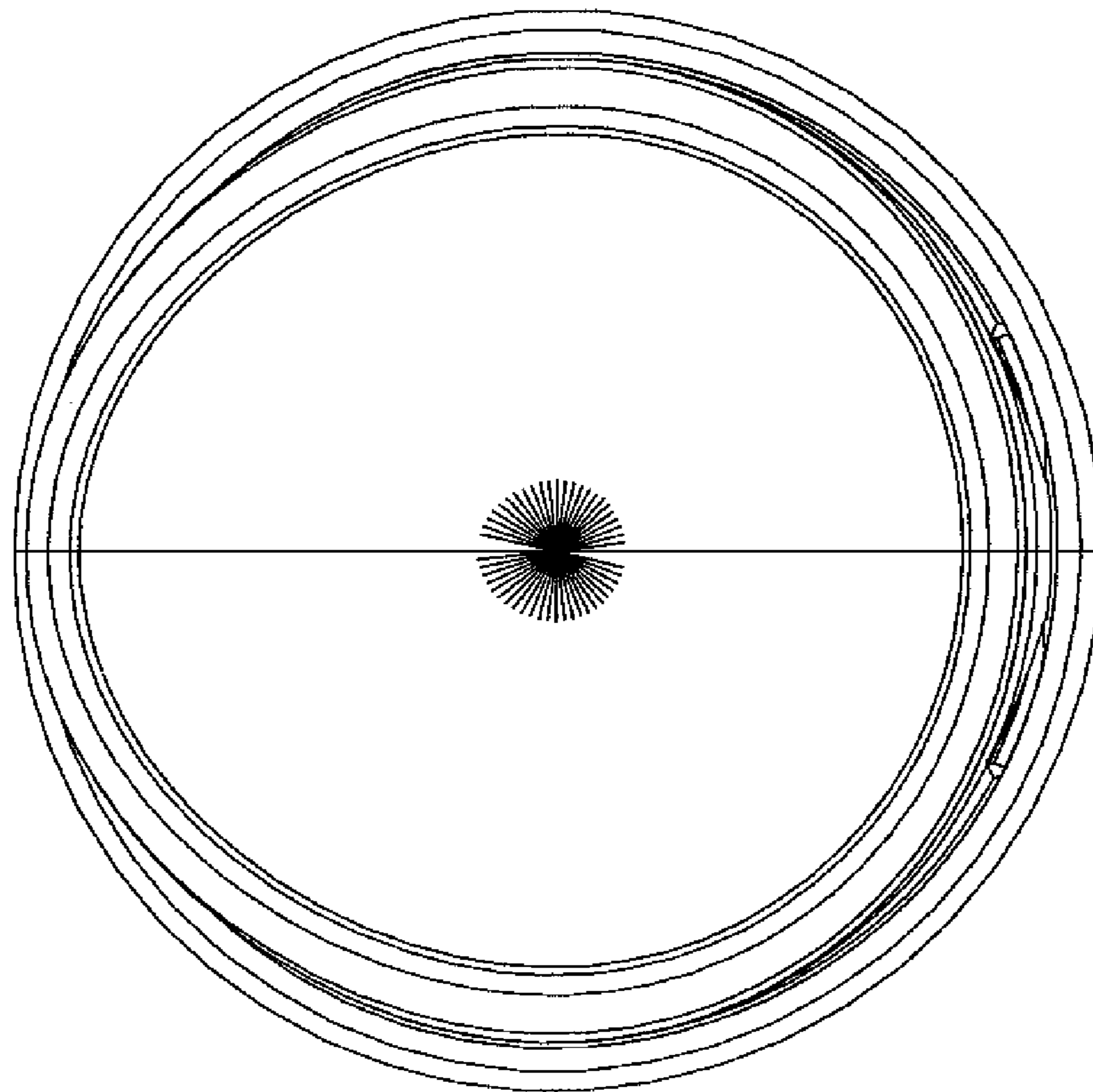


FIG. 14

