



US00D588914S

(12) **United States Design Patent**
Laurieu-Tedeschi

(10) **Patent No.:** **US D588,914 S**
(45) **Date of Patent:** **** Mar. 24, 2009**

(54) **GREEN PEARLESCENT LID FOR A CONTAINER**
(75) Inventor: **Mathilde Laurieu-Tedeschi**, Paris (FR)
(73) Assignee: **The Procter & Gamble Company**, Cincinnati, OH (US)
(**) Term: **14 Years**

D371,305 S * 7/1996 Kruger D9/435
D377,733 S * 2/1997 Ahern, Jr. et al. D7/392.1
D429,640 S * 8/2000 Nielsen et al. D9/435
D455,605 S * 4/2002 Dretzka et al. D7/392.1
D465,382 S * 11/2002 Wolf et al. D7/392.1
D485,468 S * 1/2004 Roth et al. D7/392.1
D502,049 S * 2/2005 Munson et al. D7/392.1
D536,248 S * 2/2007 Lesquir D9/435
D551,496 S * 9/2007 Ablo et al. D7/392.1
D564,287 S * 3/2008 Bouveret et al. D7/392.1

(21) Appl. No.: **29/291,260**

* cited by examiner

(22) Filed: **Aug. 21, 2007**

Primary Examiner—Susan Bennett Hattan
(74) *Attorney, Agent, or Firm*—Armina E. Matthews; Kim William Zerby

(51) **LOC (9) Cl.** **09-07**

(52) **U.S. Cl.** **D9/435**

(58) **Field of Classification Search** D9/454,
D9/453, 452, 448, 445, 444, 436, 435, 425;
D7/629, 587, 392.1, 391; D3/318; 220/802,
220/784, 781, 780, 737; 215/317, 316, 270,
215/261; D24/196

(57) **CLAIM**

The ornamental design for a green pearlescent lid for a container, as shown and described.

See application file for complete search history.

DESCRIPTION

(56) **References Cited**

FIG. 1 is an isometric view of the green pearlescent lid for a container, embodying the new design;

U.S. PATENT DOCUMENTS

FIG. 2 is a left view thereof;

- D238,148 S * 12/1975 Dilot D9/425
- D262,839 S * 2/1982 Daenen et al. D7/629
- D267,703 S * 1/1983 Chase et al. D9/435
- D279,952 S * 8/1985 Daenen et al. D7/629
- D287,573 S * 1/1987 Tyler D9/435
- D289,488 S * 4/1987 Gyebnar D7/391
- D312,406 S * 11/1990 Tyler D9/452
- D330,161 S * 10/1992 Schuh D9/423
- D330,165 S * 10/1992 Brochu et al. D9/435
- D354,655 S * 1/1995 Daenen et al. D7/392.1
- D356,497 S * 3/1995 Zimmerman D9/435
- D358,328 S * 5/1995 Huerto et al. D9/435

FIG. 3 is a right view thereof;

FIG. 4 is a front view thereof;

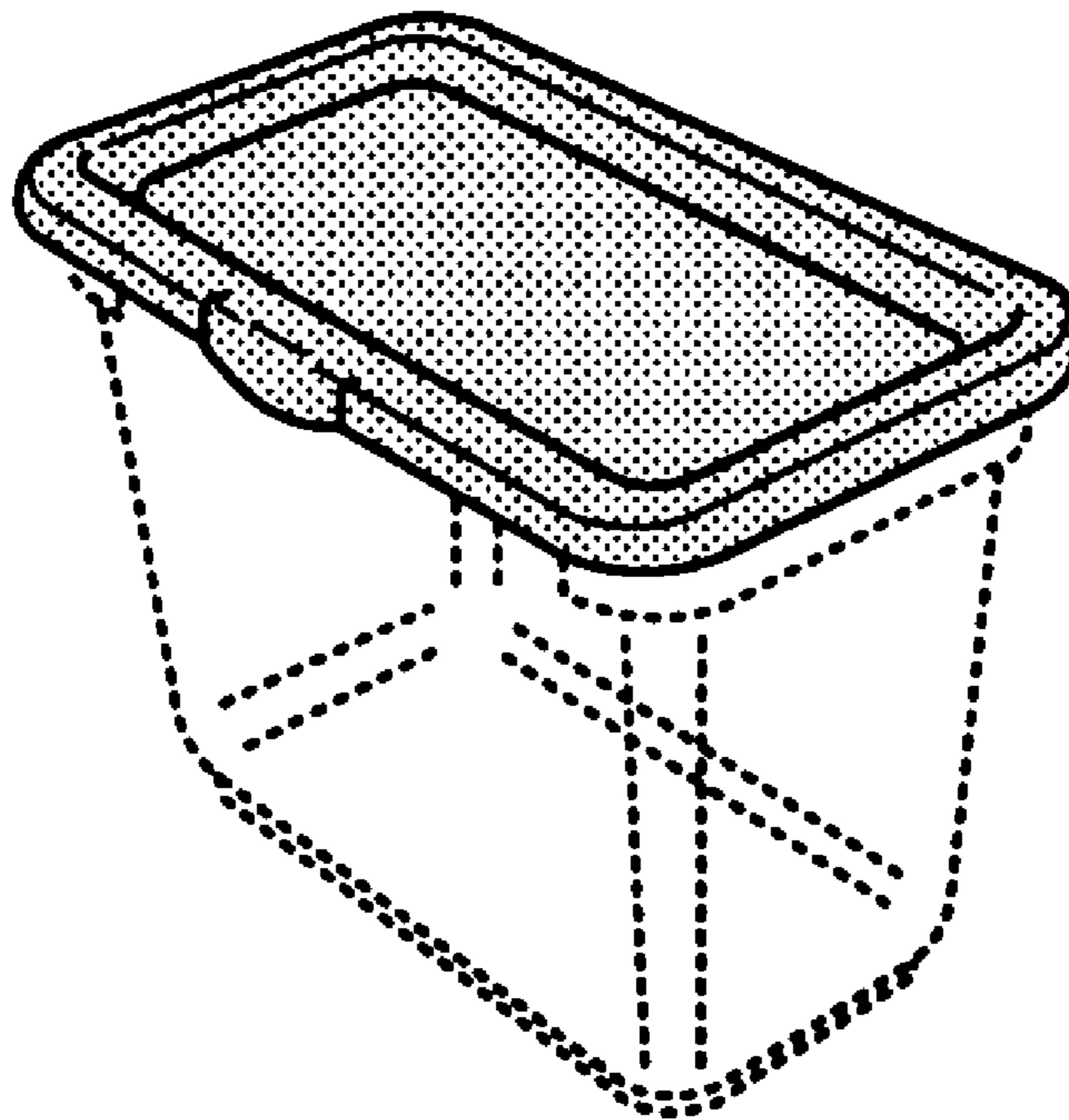
FIG. 5 is a back view thereof;

FIG. 6 is a top view thereof; and,

FIG. 7 is a bottom view thereof.

The broken line showing of a container depicts environmental subject matter only and forms no part of the claim.

1 Claim, 2 Drawing Sheets



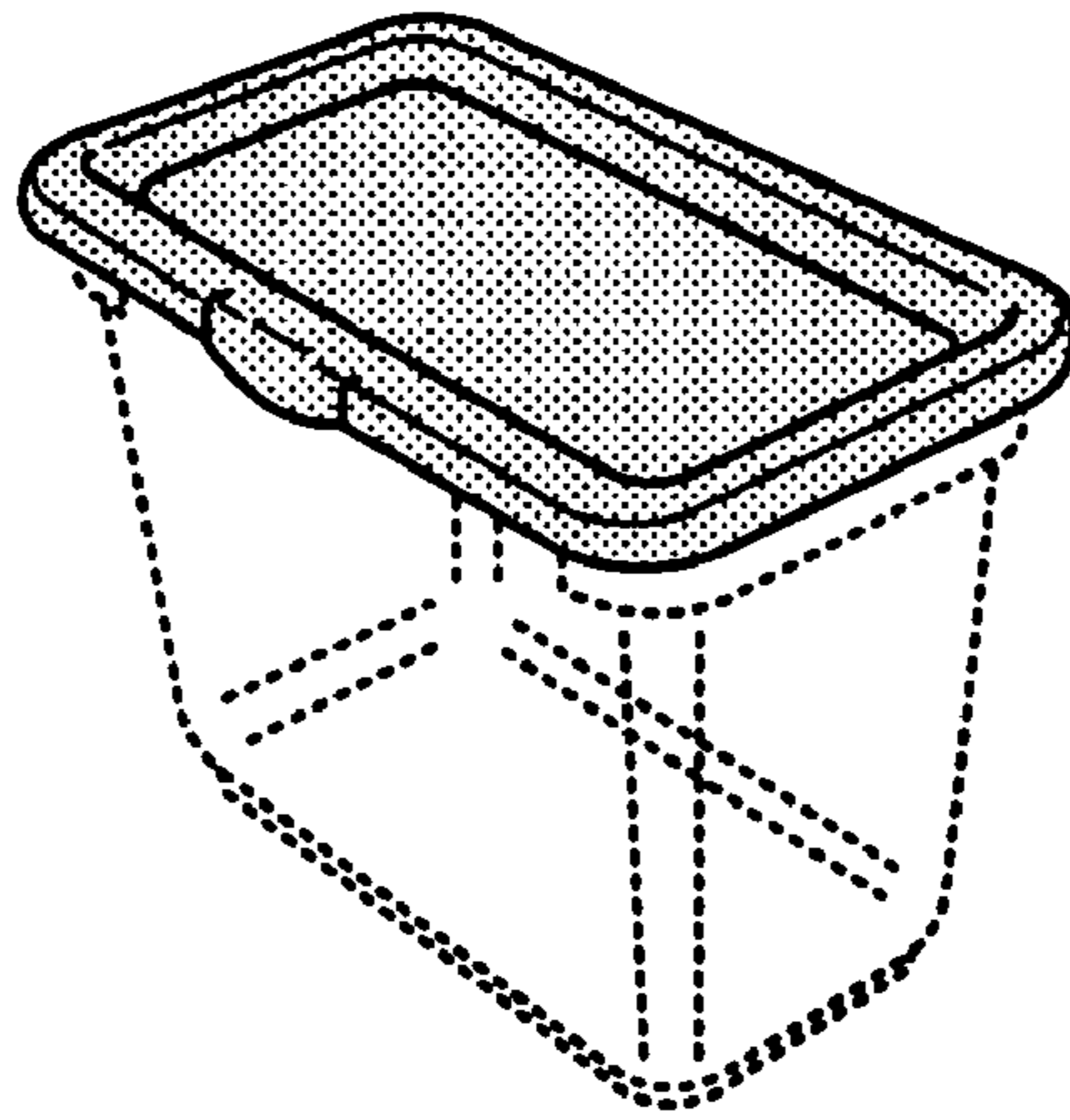


FIG. 1

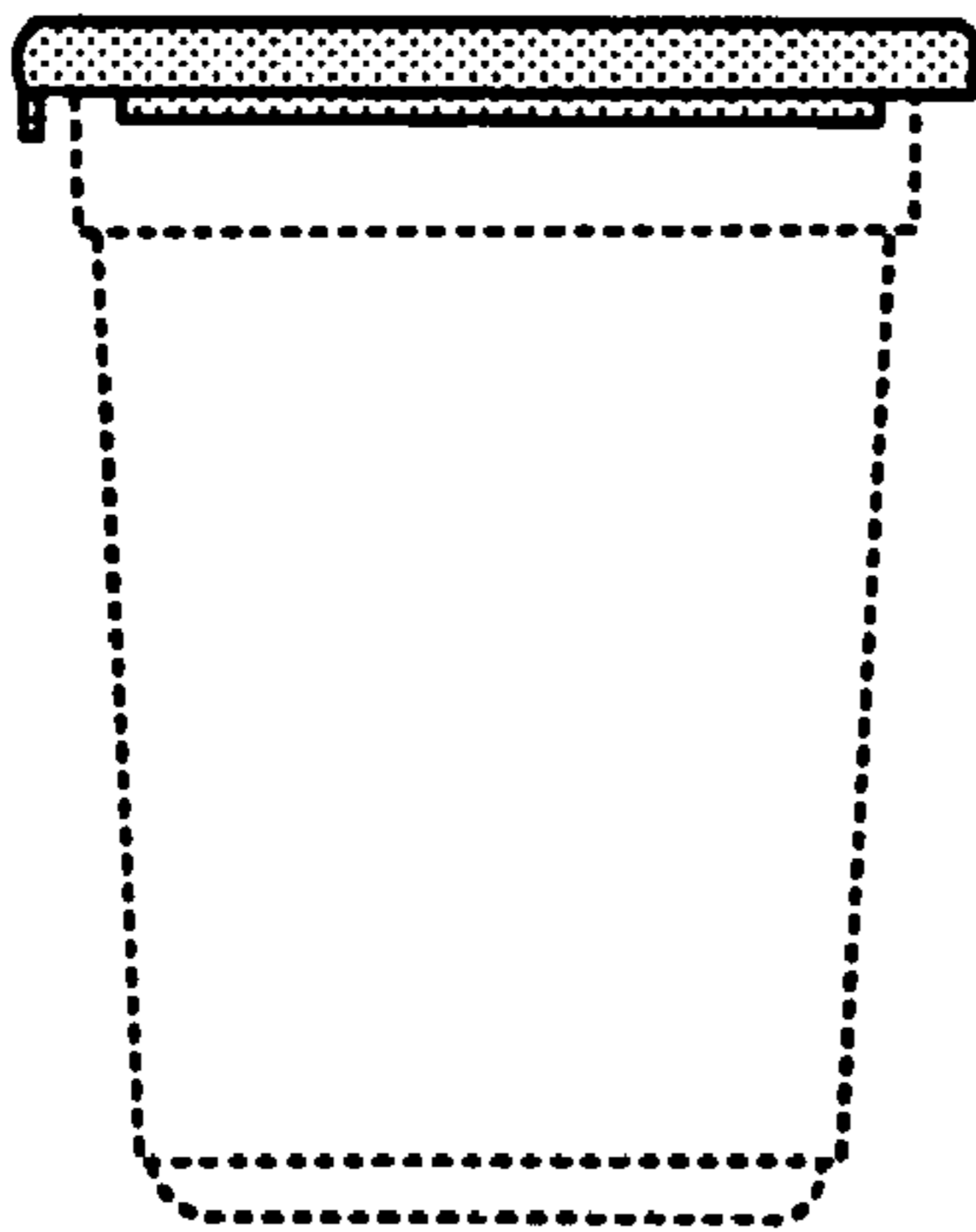


FIG. 2

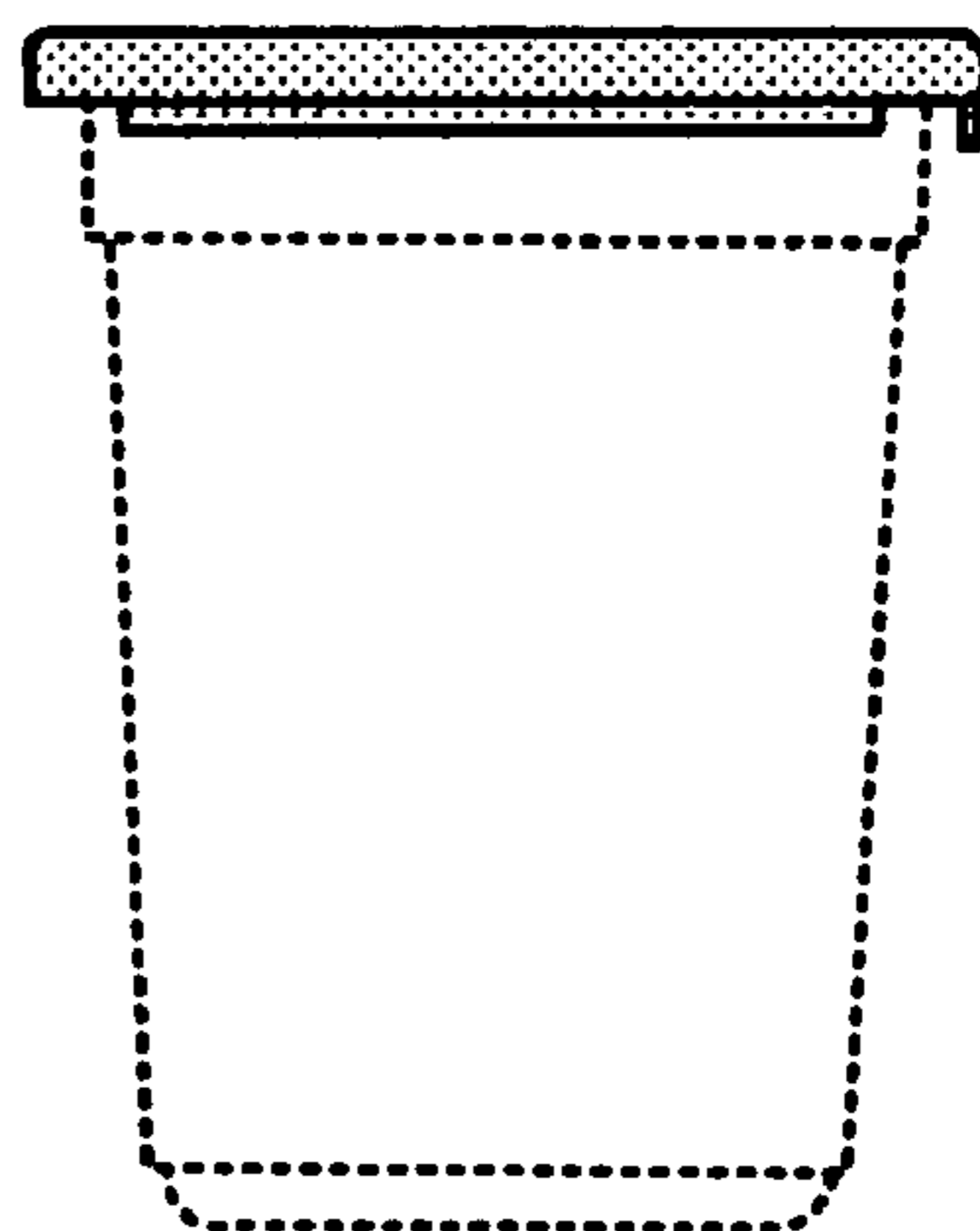


FIG. 3

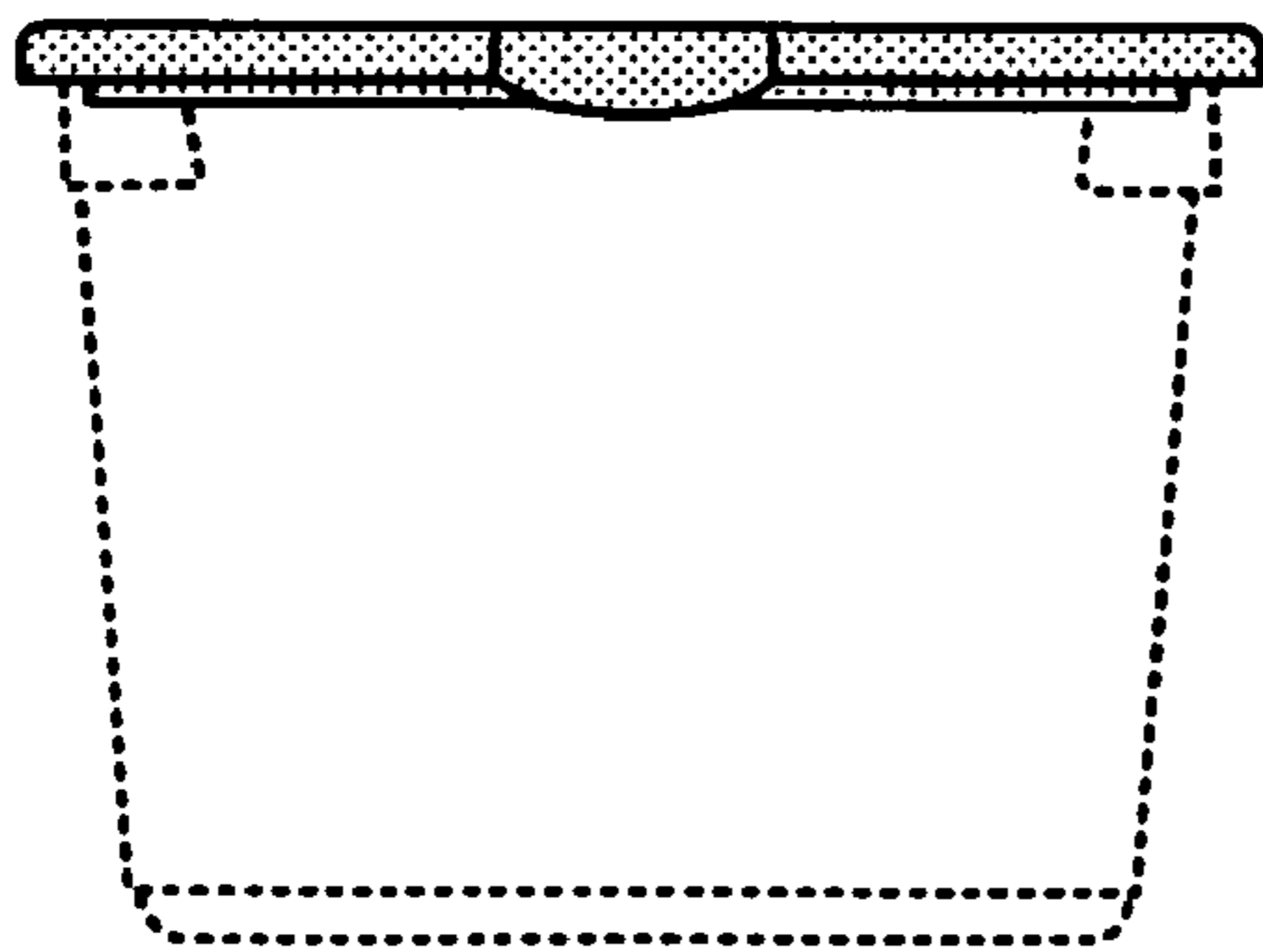


FIG. 4

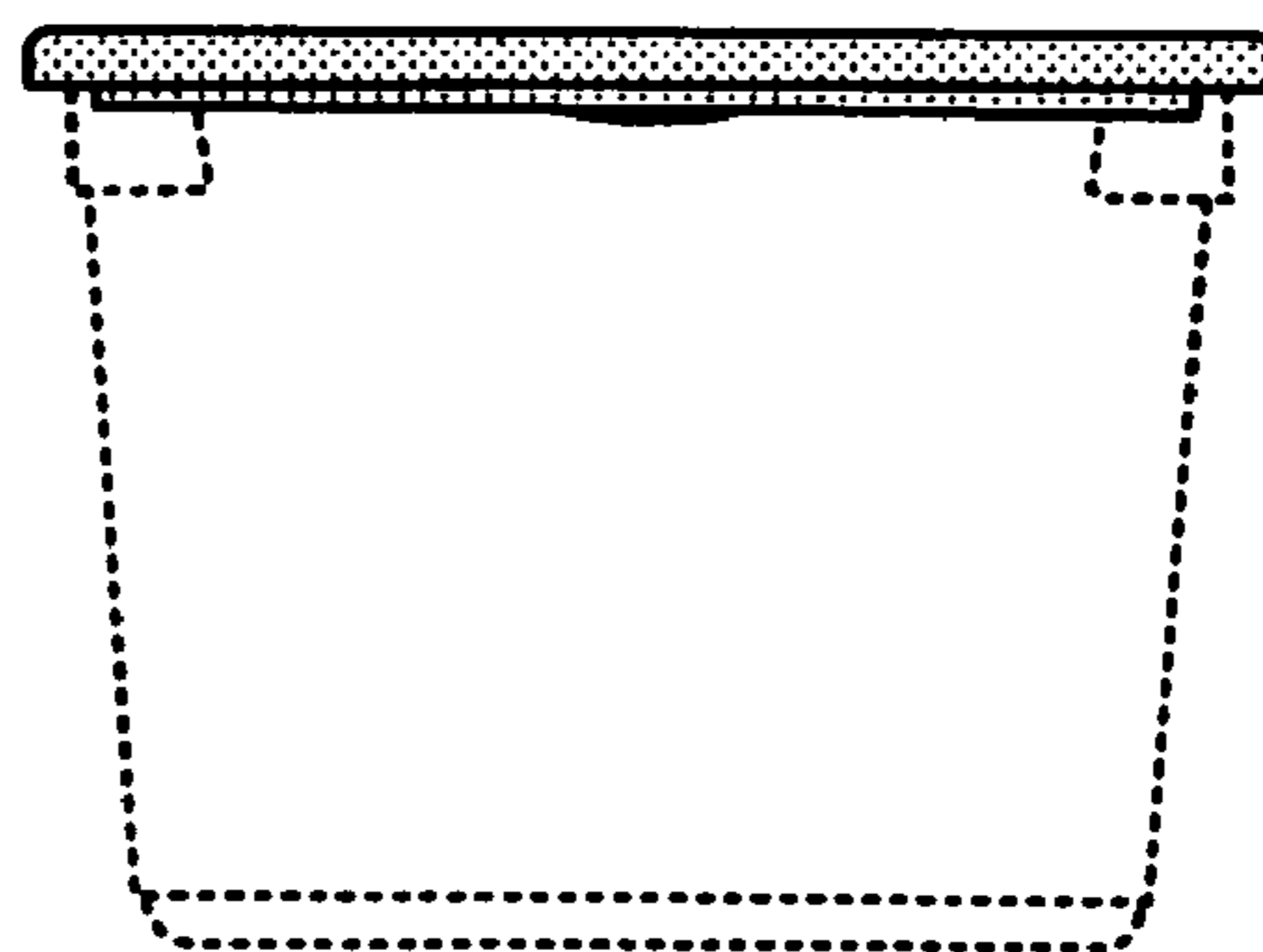


FIG. 5

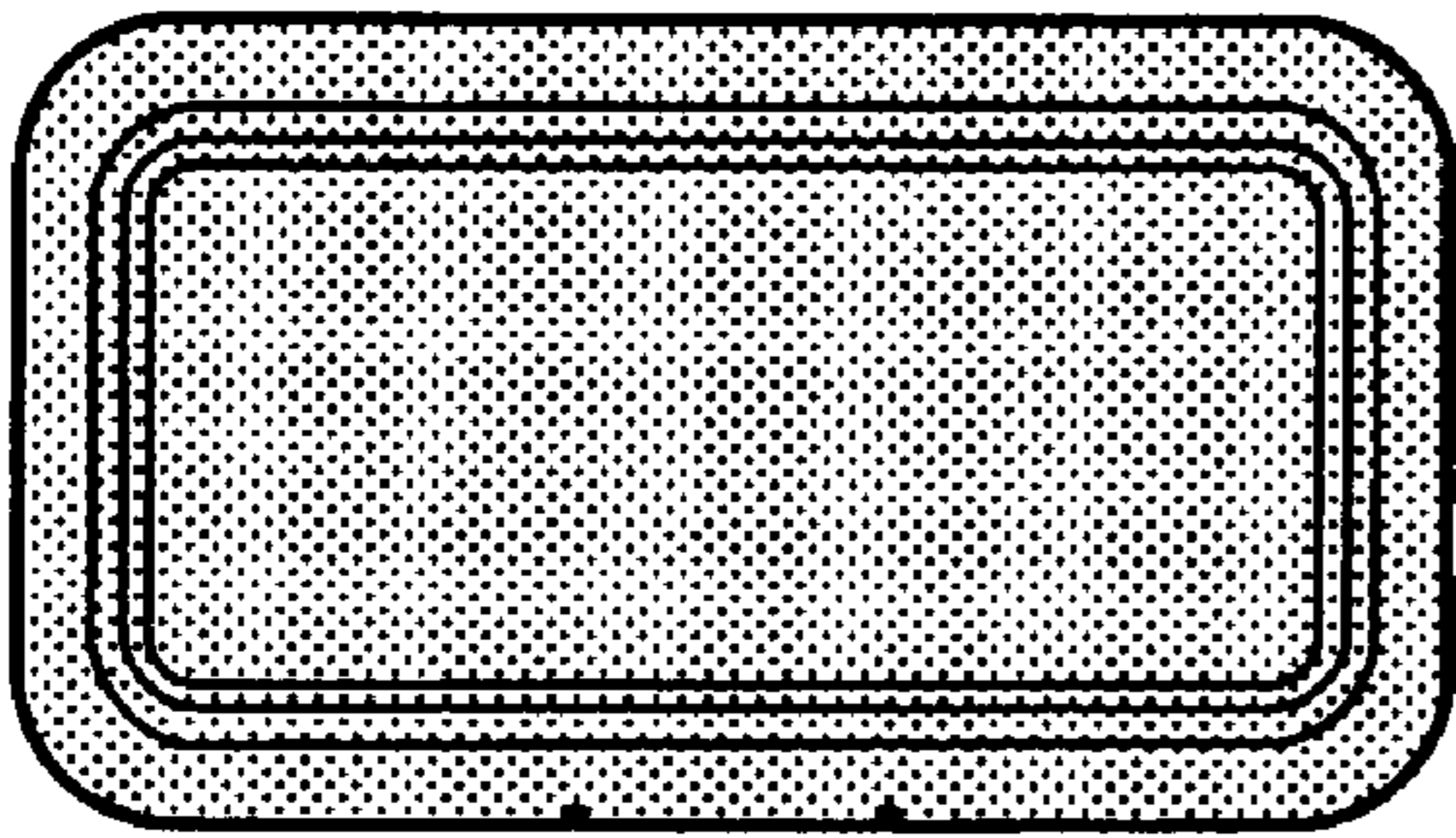


FIG. 6

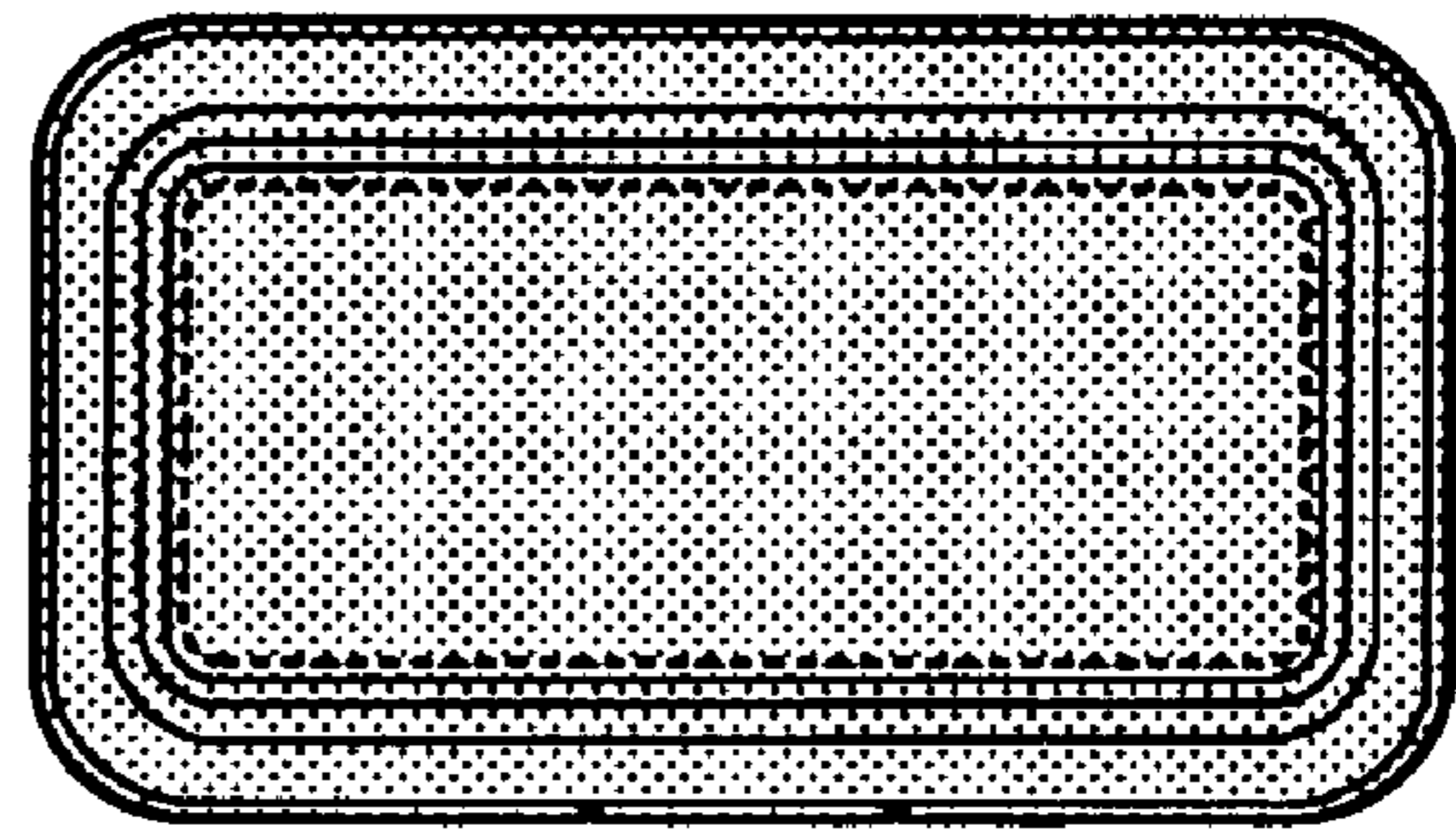


FIG. 7