



US00D588906S

(12) **United States Design Patent**
Aizawa et al.

(10) **Patent No.:** **US D588,906 S**
(45) **Date of Patent:** **** Mar. 24, 2009**

(54) **PACKAGE**

(75) Inventors: **Masayuki Aizawa**, Tokyo (JP);
Nobutoshi Yamaguchi, Tokyo (JP); **Koji Matsushige**, Tokyo (JP); **Ayumi Dodomi**, Tokyo (JP)

(73) Assignee: **Tokuyama Corporation**, Shunan-shi, Yamaguchi (JP)

(**) Term: **14 Years**

(21) Appl. No.: **29/287,669**

(22) Filed: **Sep. 6, 2007**

(30) **Foreign Application Priority Data**

Apr. 26, 2007 (JP) 2007-011257

(51) **LOC (9) Cl.** **09-03**

(52) **U.S. Cl.** **D9/414**

(58) **Field of Classification Search** D9/674,
D9/715, 718, 723, 737, 739-746, 517, 414,
D9/424, 425, 426, 428; D24/113, 114, 117,
D24/119, 121, 128, 152, 176, 220, 221, 223,
D24/224, 231; D19/66; 206/45.2, 216, 223,
206/256-575, 438, 63.5, 501-515, 736, 751,
206/752, 764, 765, 758, 813, 821, 822, 210;
215/205, 227, 228, 305, 295, 376, 377, 395,
215/DIG. 1; 401/48, 131; 604/403, 416;
433/80-90

See application file for complete search history.

(56) **References Cited**

U.S. PATENT DOCUMENTS

D243,628	S *	3/1977	Biondo	D24/224
4,197,943	A *	4/1980	Weikel	206/219
D287,876	S *	1/1987	Blatherwick et al.	D24/114
4,763,788	A *	8/1988	Jorneus et al.	206/438
D379,925	S *	6/1997	Ma	D9/674
5,860,806	A *	1/1999	Pranitis et al.	433/80
6,595,352	B2 *	7/2003	Bleuer	206/63.5
D564,361	S *	3/2008	Stearns	D9/674
7,374,357	B2 *	5/2008	Takahashi et al.	401/118
2005/0061697	A1 *	3/2005	Moberg	206/364

* cited by examiner

Primary Examiner—Catherine Tuttle

(74) *Attorney, Agent, or Firm*—Birch, Stewart, Kolasch & Birch, LLP

(57) **CLAIM**

The ornamental design for a package, as shown and described.

DESCRIPTION

FIG. 1 is a front view of a package showing our new design, the rear view being the same as the front view;

FIG. 2 is a left side view thereof, the right side view being the same as the left side view;

FIG. 3 is a top plan view thereof;

FIG. 4 is a bottom plan view thereof;

FIG. 5 is a sectional view taken along line 5—5 of FIG. 1;

FIG. 6 is another front view of the package provided for the purpose of indicating the plane shown in FIG. 8;

FIG. 7 is a top plan view of FIG. 6;

FIG. 8 is a sectional view taken along 8—8 of FIG. 6 showing the appearance of the package with the plug element removed;

FIG. 9 is a front view of the plug element of the design, shown separate from the assembly for a complete disclosure thereof, the rear and sides of the plug being the same as the front view shown;

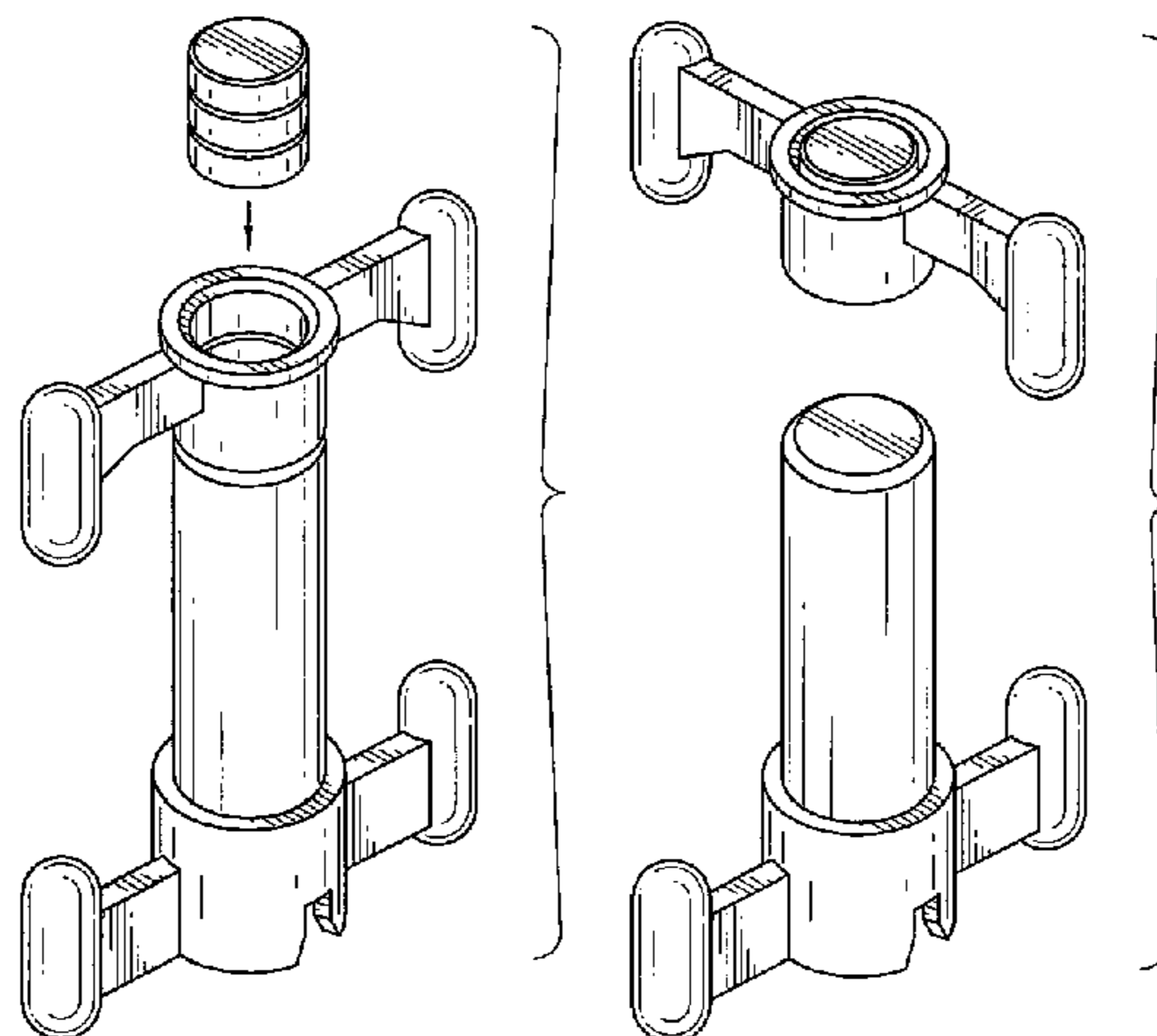
FIG. 10 is a top plan view of the plug of FIG. 11, the bottom plan view of the plug being the same as the top plan view of the plug.

FIG. 11 is an exploded perspective view showing the plug and container portions separated;

FIG. 12 is another exploded perspective view in which the upper portion of the container is broken off from the lower portion; and,

FIG. 13 is a perspective view showing the design in an alternative configuration in which the lower portion in FIG. 12 is mounted on the inverted upper portion.

1 Claim, 6 Drawing Sheets



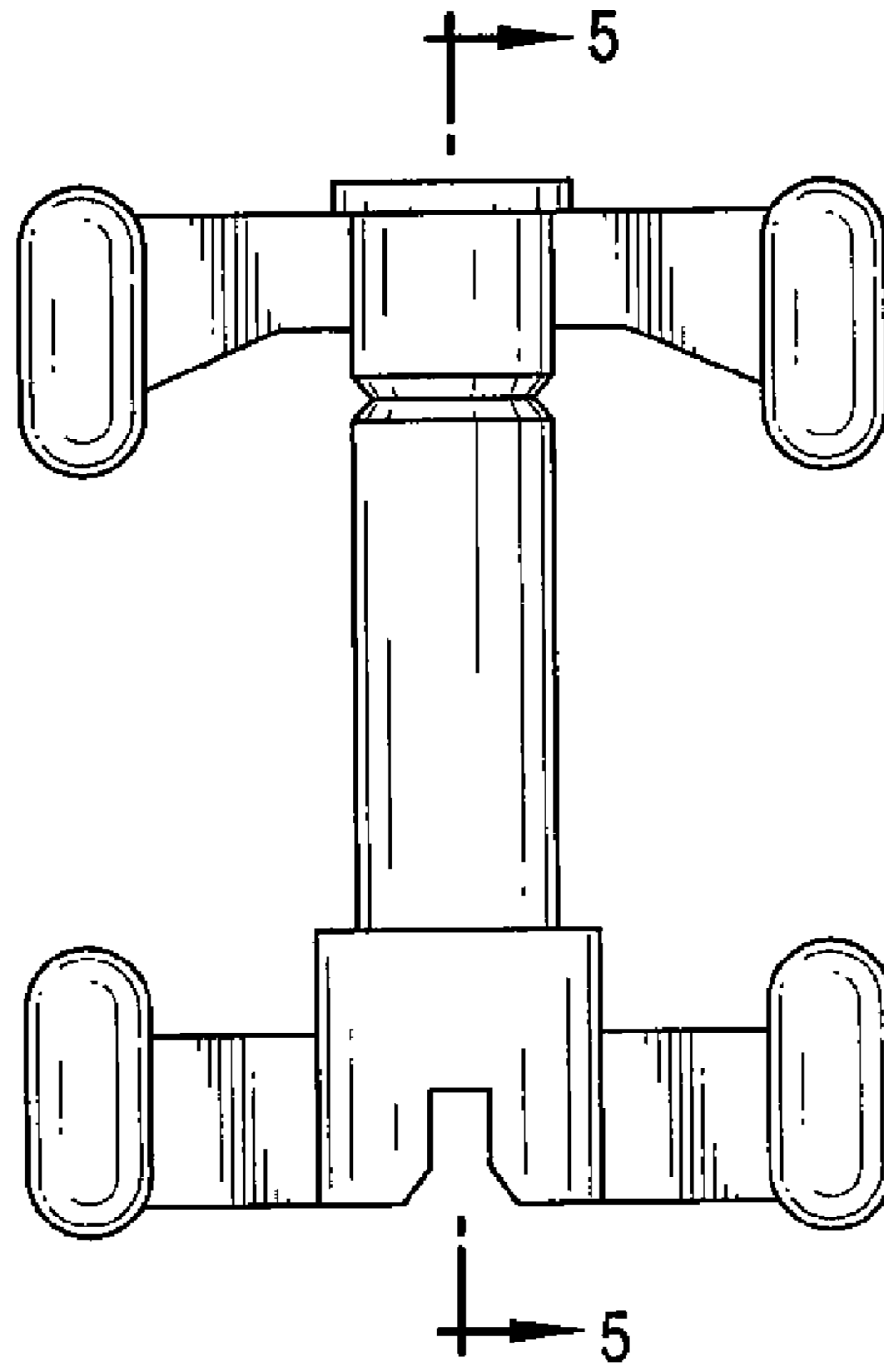


FIG. 1

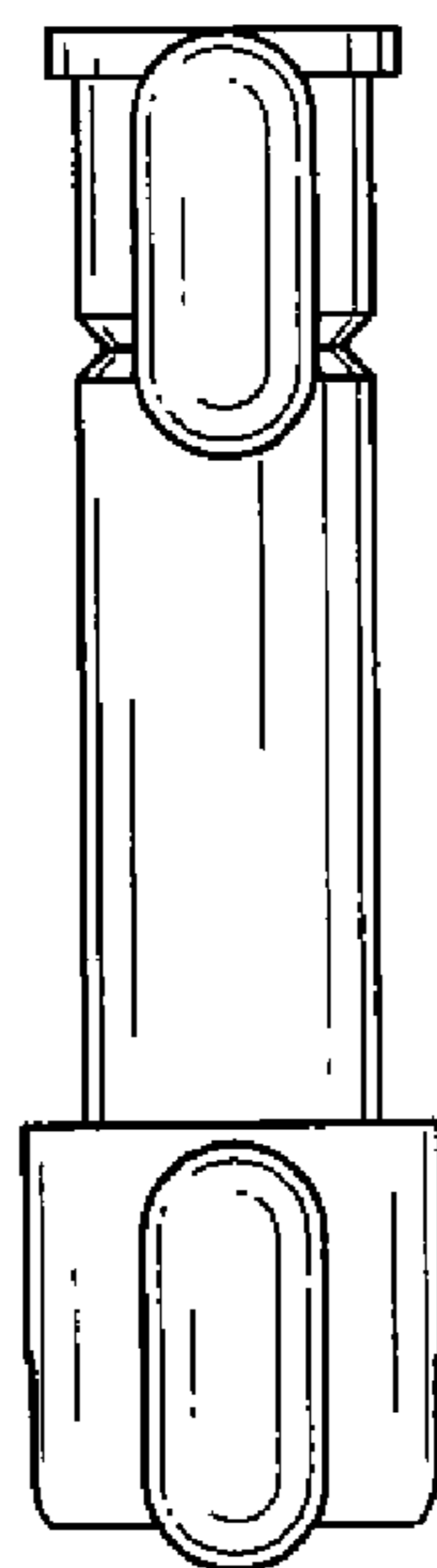


FIG. 2

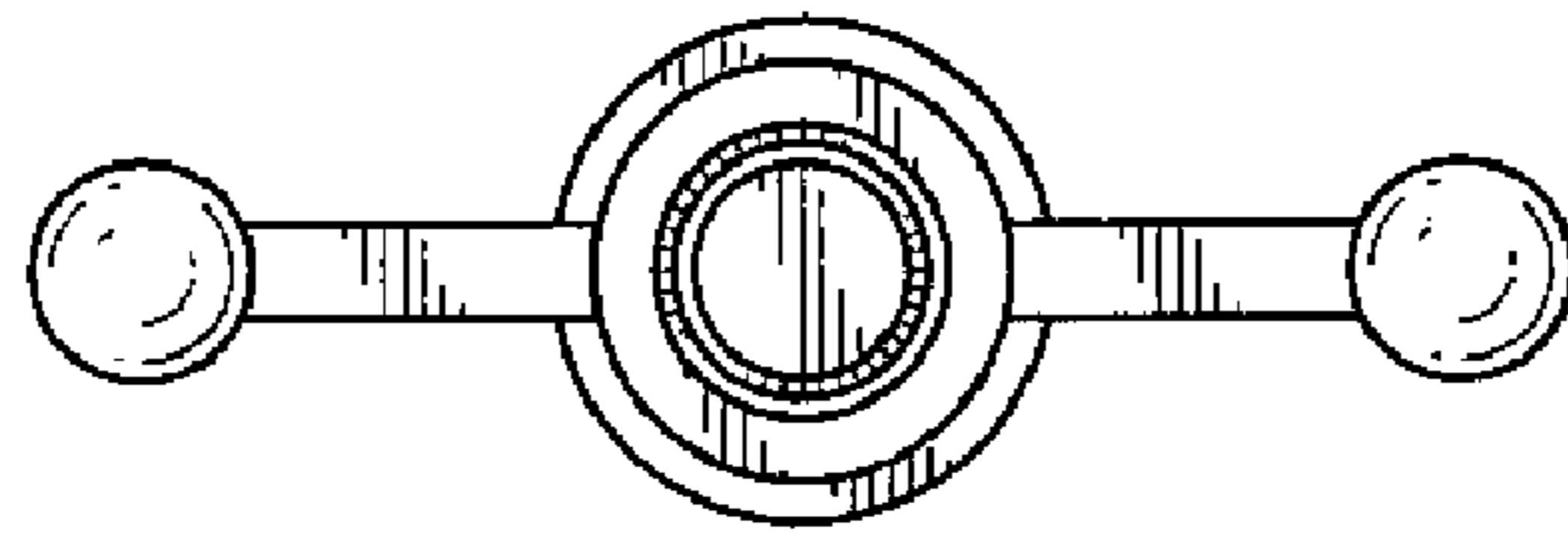


FIG.3

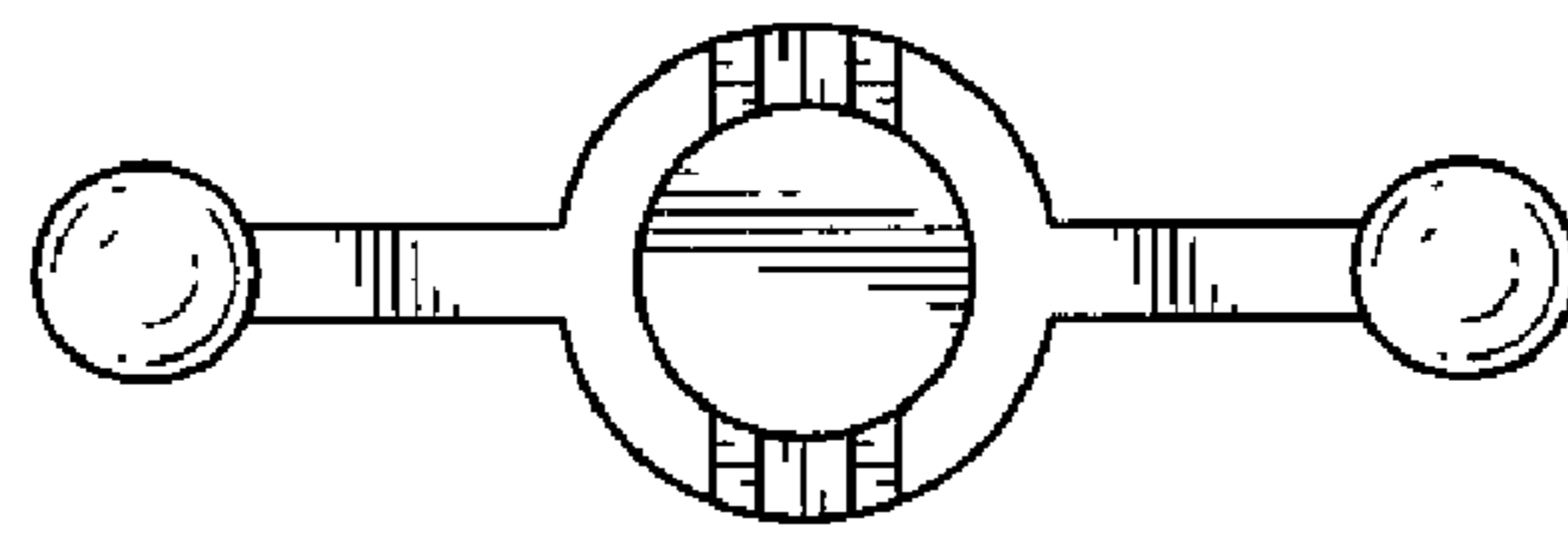


FIG.4

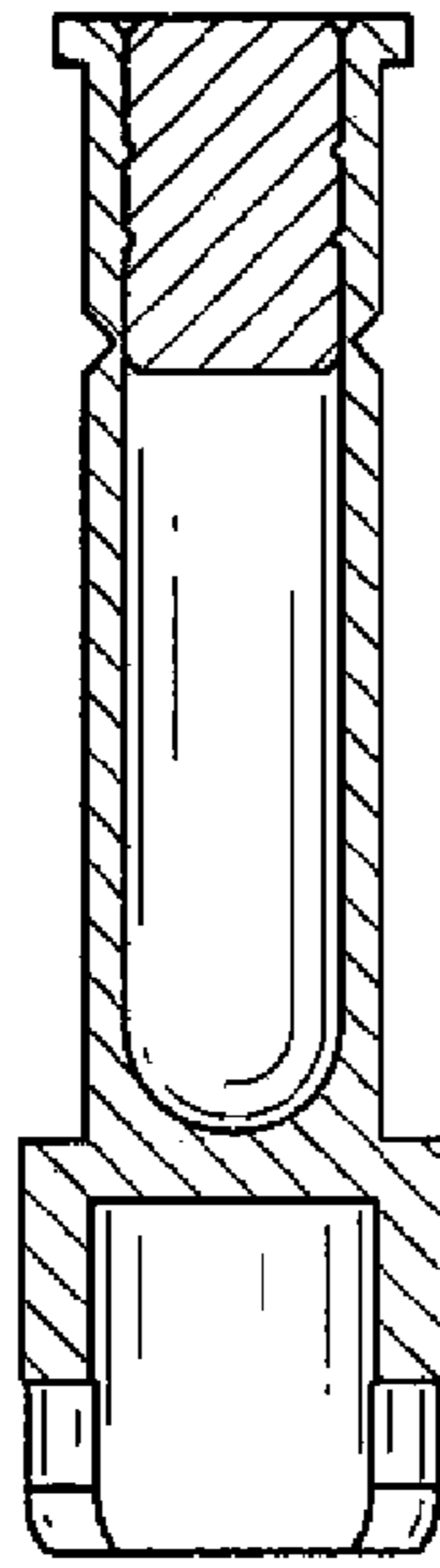


FIG. 5

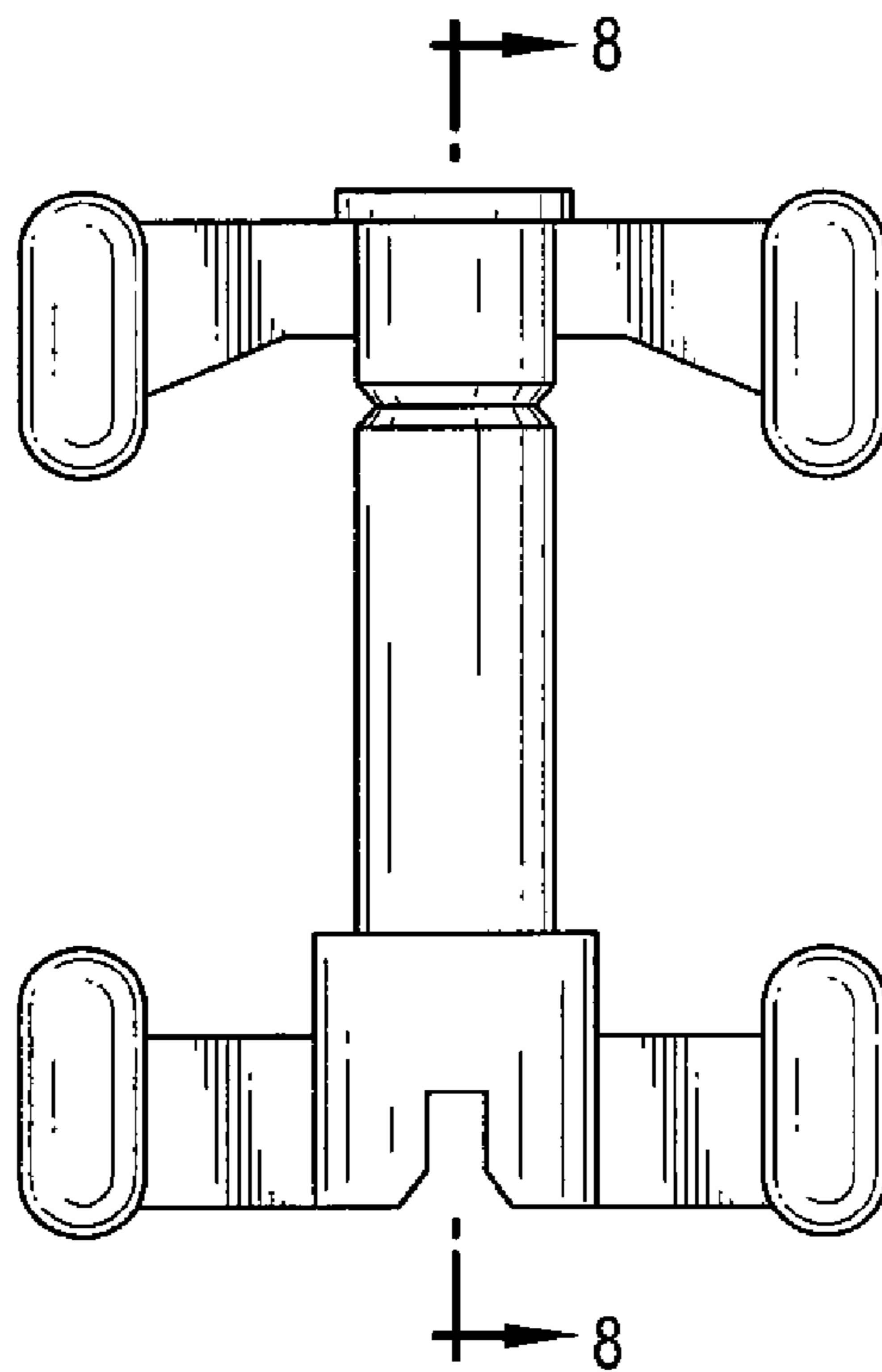


FIG. 6

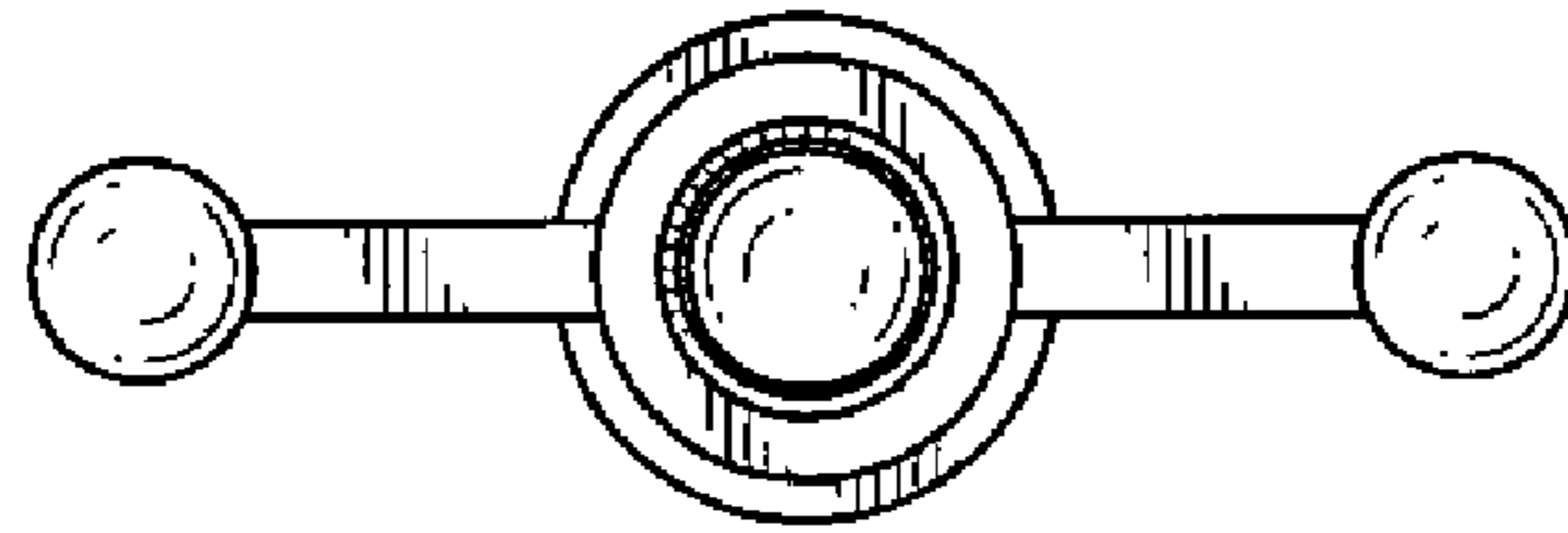


FIG. 7

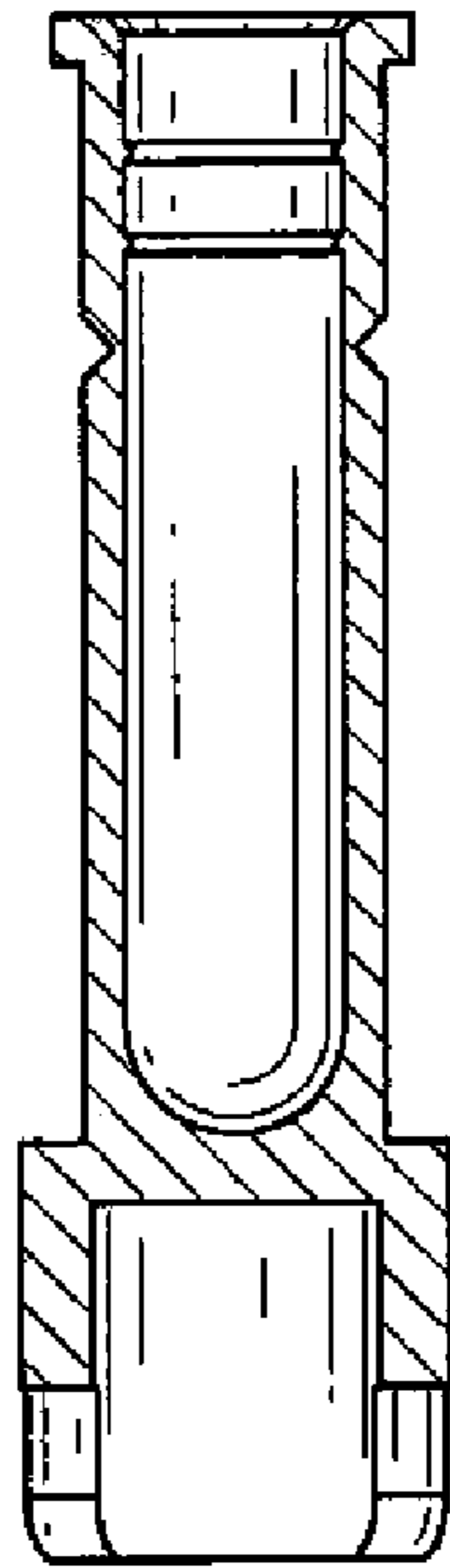


FIG. 8

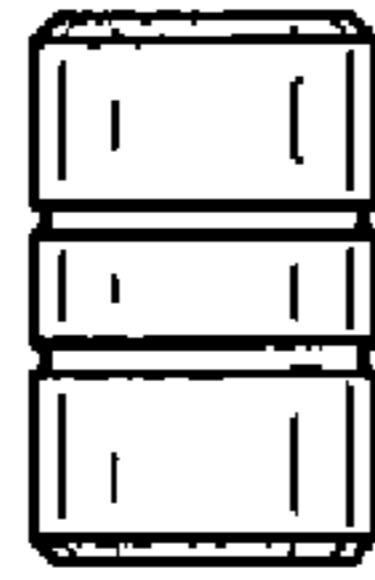


FIG. 9



FIG. 10

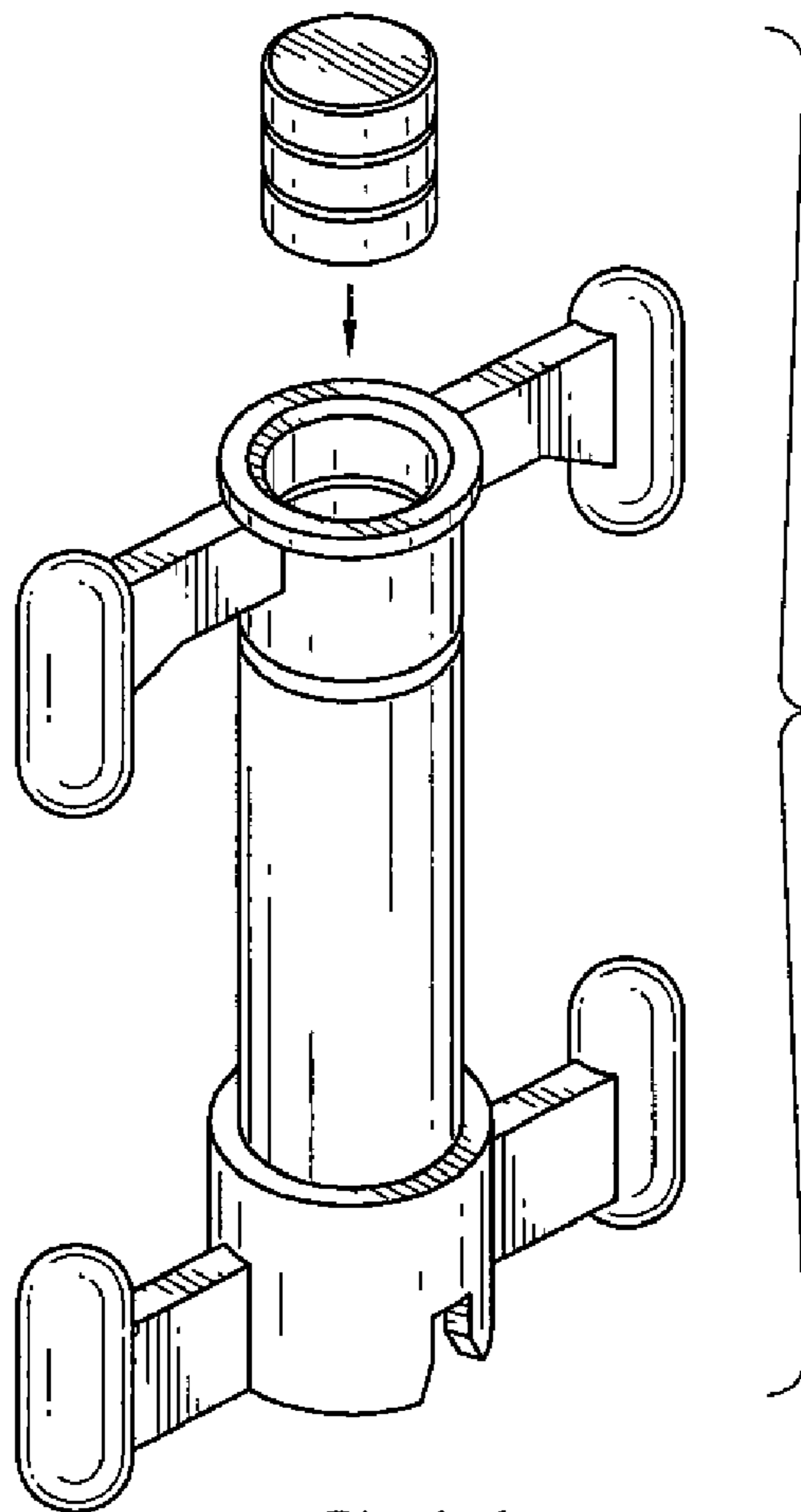


FIG. 11

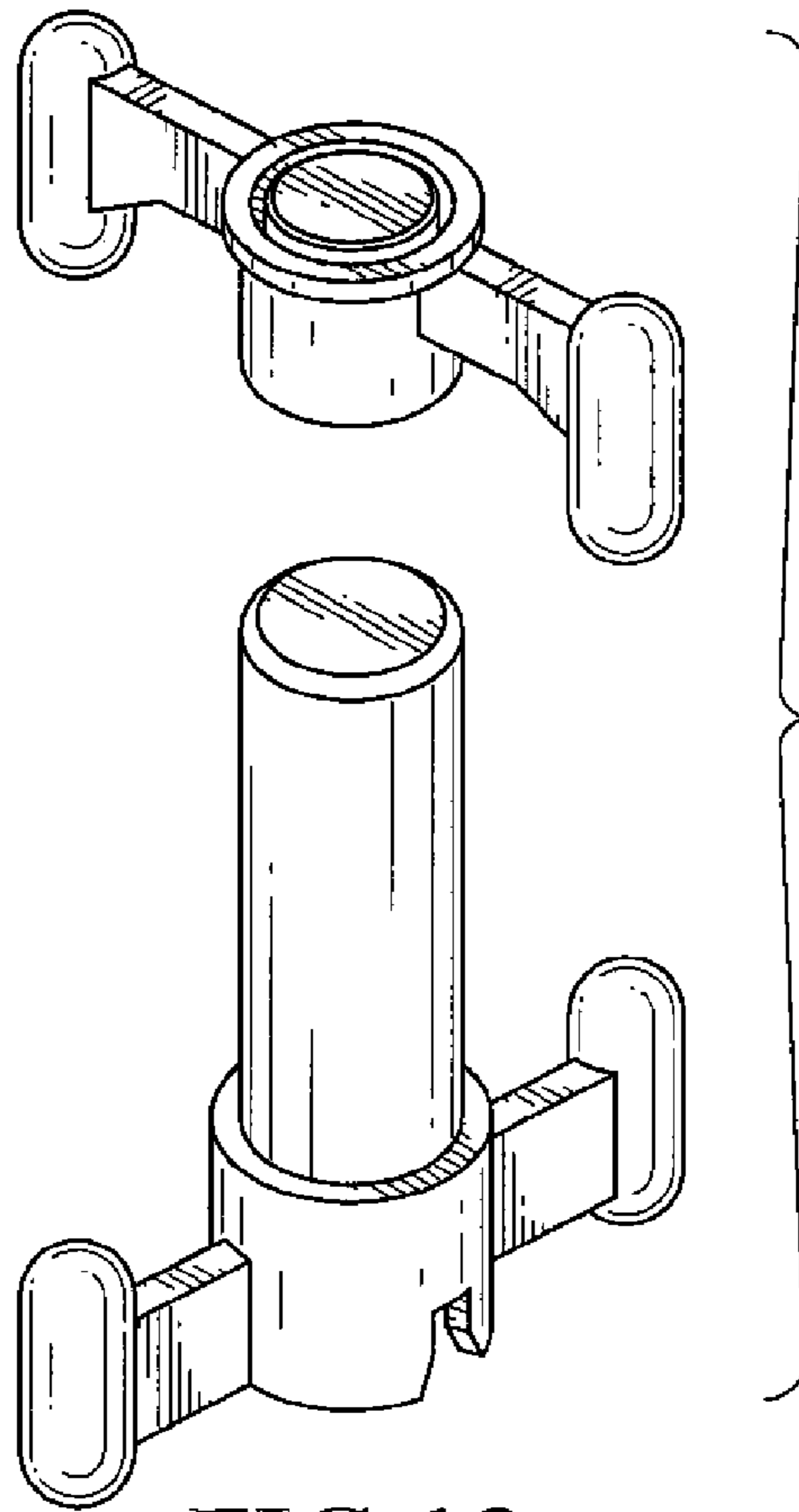


FIG. 12

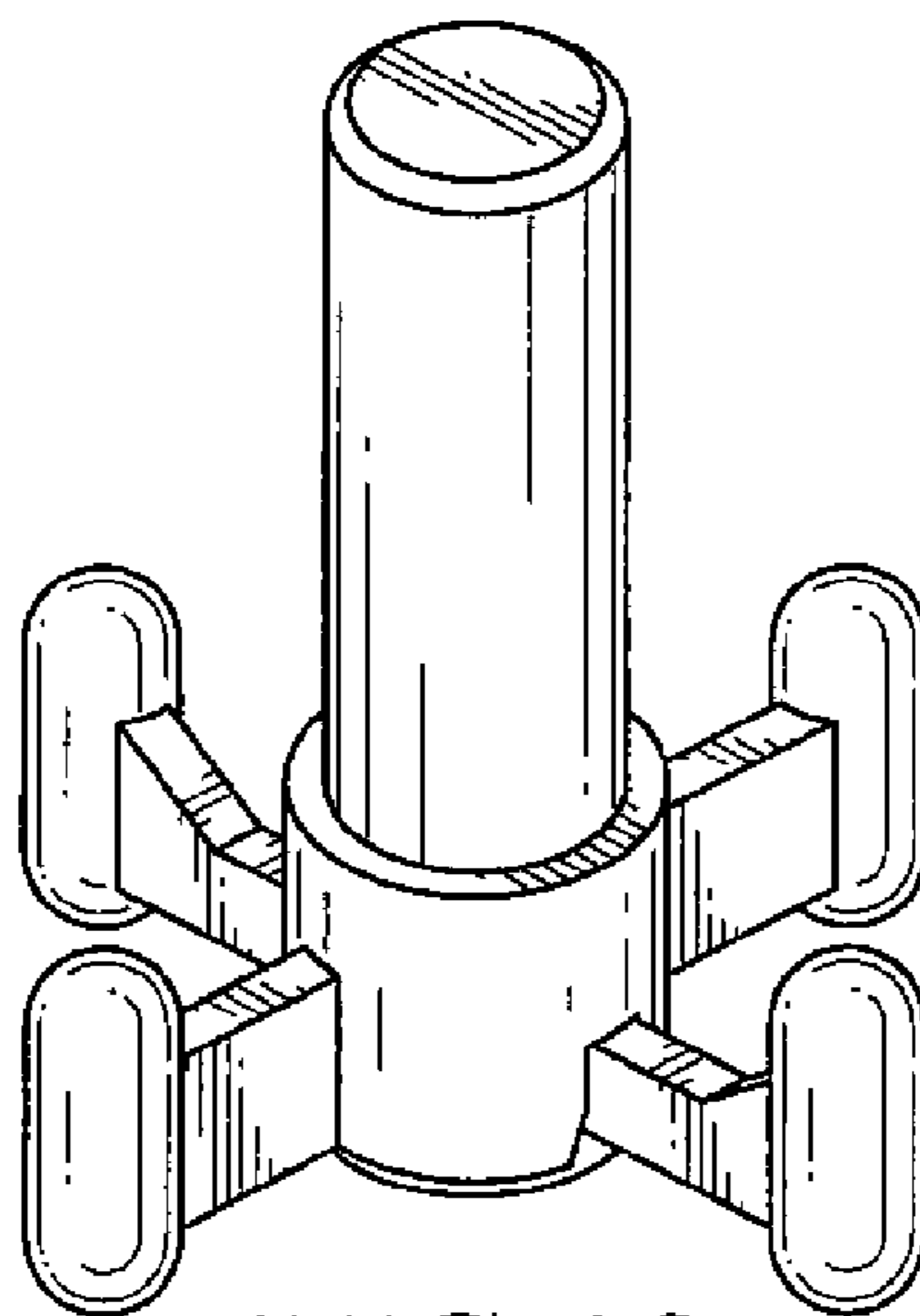


FIG. 13