



US00D588904S

(12) **United States Design Patent**
Chong et al.

(10) **Patent No.:** **US D588,904 S**
(45) **Date of Patent:** **** Mar. 24, 2009**

(54) **GROMMET HUB**
(75) Inventors: **Joseph Chong**, Simi Valley, CA (US);
Yoko Iida, Los Angeles, CA (US);
Kenneth Mori, Los Angeles, CA (US)
(73) Assignee: **Belkin International, Inc.**, Compton,
CA (US)

D360,820 S * 8/1995 Haase D8/356
D362,176 S * 9/1995 Solbeck D8/382
D363,769 S * 10/1995 Phillips et al. D23/261
5,836,048 A * 11/1998 Rossman et al. 16/2.2
5,927,725 A * 7/1999 Tabata et al. 277/607
D443,811 S * 6/2001 Tisbo D8/356
D464,562 S * 10/2002 Reiter D8/382
D468,190 S * 1/2003 Kennedy et al. D8/358

(**) Term: **14 Years**

(Continued)

(21) Appl. No.: **29/270,874**

FOREIGN PATENT DOCUMENTS

(22) Filed: **Jan. 3, 2007**

JP D1076124 6/2000
JP D1076125 6/2000
JP D1076992 7/2006
JP D1278194 8/2006

(51) **LOC (9) Cl.** **08-05**

(52) **U.S. Cl.** **D8/356**

(58) **Field of Classification Search** D8/105,
D8/107, 333, 349, 354, 356, 358, 367, 373,
D8/382, 383, 394-396, 400; D23/261; D26/38;
24/197, 561; 174/153 G, 650, 656; 242/400.1,
242/405.1, 405.2, 600, 603, 916; 248/65,
248/74.1-74.4, 201, 214, 215, 229.26, 302,
248/304, 316.7, 316.8; 439/501, 535; 16/2.1;
D13/147

Primary Examiner—T. Chase Nelson
Assistant Examiner—Karen Acker
(74) *Attorney, Agent, or Firm*—Bryan Cave LLP

See application file for complete search history.

(57) **CLAIM**

The ornamental design for a grommet hub, as shown and described.

(56) **References Cited**

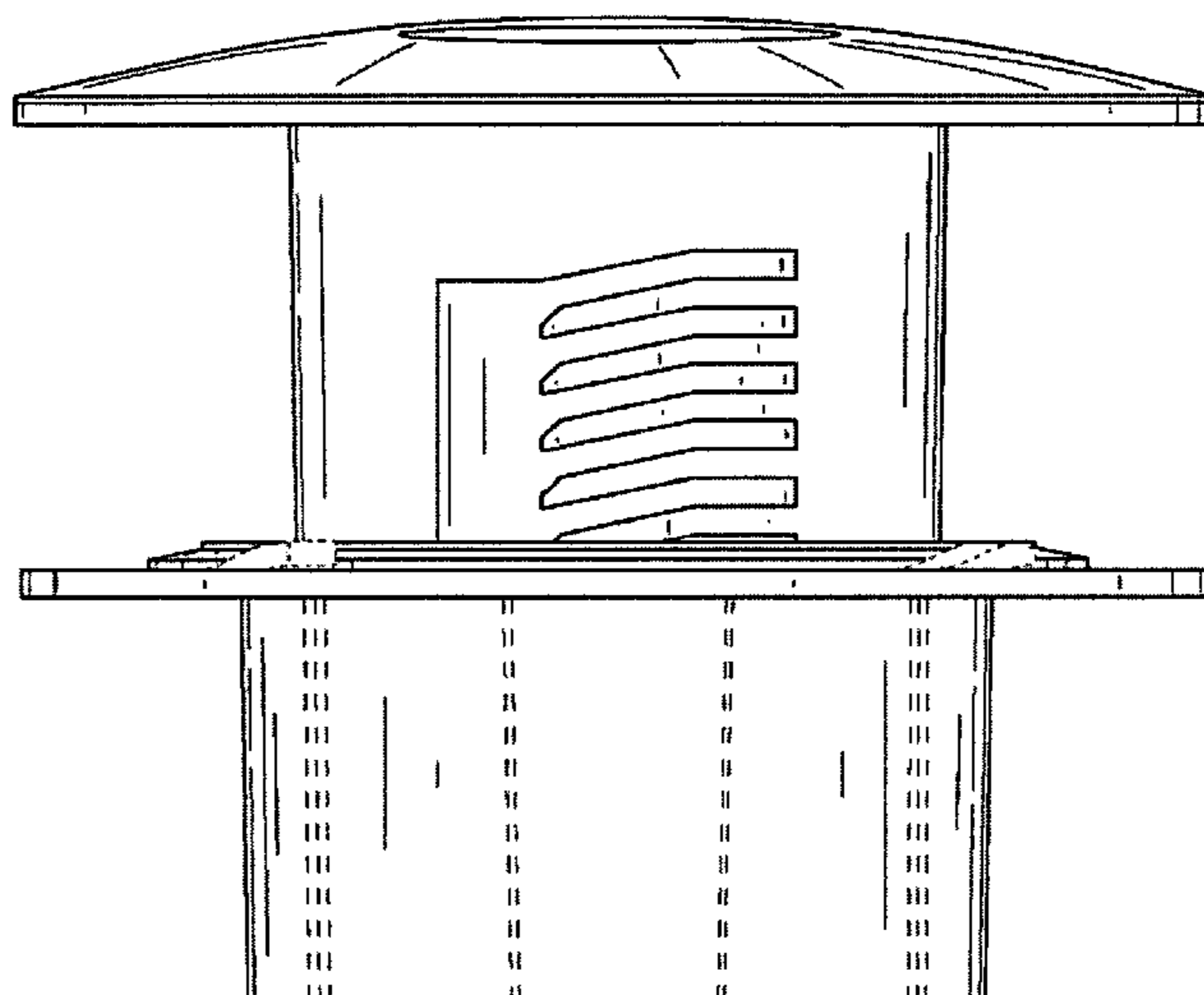
DESCRIPTION

U.S. PATENT DOCUMENTS

3,091,795 A * 6/1963 Budwig 16/2.1
3,229,939 A * 1/1966 Hubbard 248/27.1
D254,928 S * 5/1980 Mathis D23/261
4,244,484 A * 1/1981 Guritz et al. 220/3.7
D278,594 S * 4/1985 Lye D8/25
4,869,454 A * 9/1989 Byrne et al. 248/610
4,928,349 A * 5/1990 Oikawa et al. 174/153 G
D318,412 S * 7/1991 Williams D8/356
D324,488 S * 3/1992 Fujimoto D8/356
D327,246 S * 6/1992 Beckerer, Jr. D12/317
5,291,621 A * 3/1994 Mathis 4/541.4
5,353,472 A * 10/1994 Benda et al. 16/2.2
D355,113 S * 2/1995 Shimajiri D8/382

FIG. 1 is a front side view of the grommet hub;
FIG. 2 is a left side view thereof;
FIG. 3 is a right side view thereof;
FIG. 4 is a top side view thereof;
FIG. 5 is a bottom side view thereof;
FIG. 6 is a rear view thereof;
FIG. 7 is a top isometric view thereof; and,
FIG. 8 is a bottom isometric view thereof.
The broken lines represent the portions of the design that form no part of the claimed design.

1 Claim, 8 Drawing Sheets



US D588,904 S

Page 2

U.S. PATENT DOCUMENTS

6,551,130	B2 *	4/2003	Bonilla	439/535	7,124,468	B2 *	10/2006	Mockett	16/2.1
6,603,078	B2 *	8/2003	Okuhara et al.	174/153 G	7,211,744	B2 *	5/2007	Jorgensen	174/668
D484,779	S *	1/2004	Shibuya	D8/382	D545,663	S *	7/2007	Sato	D8/310
D500,245	S *	12/2004	Okada	D8/382	D550,144	S *	9/2007	Hord et al.	D12/317
6,854,664	B2 *	2/2005	Smith	239/205	2003/0109172	A1 *	6/2003	Foden et al.	439/535
6,895,634	B2 *	5/2005	Tisbo	16/2.1	2006/0258195	A1 *	11/2006	Schwartz et al.	439/131
D517,900	S *	3/2006	Goldenberg et al.	D8/354	2007/0289770	A1 *	12/2007	Koike	174/153 G

* cited by examiner

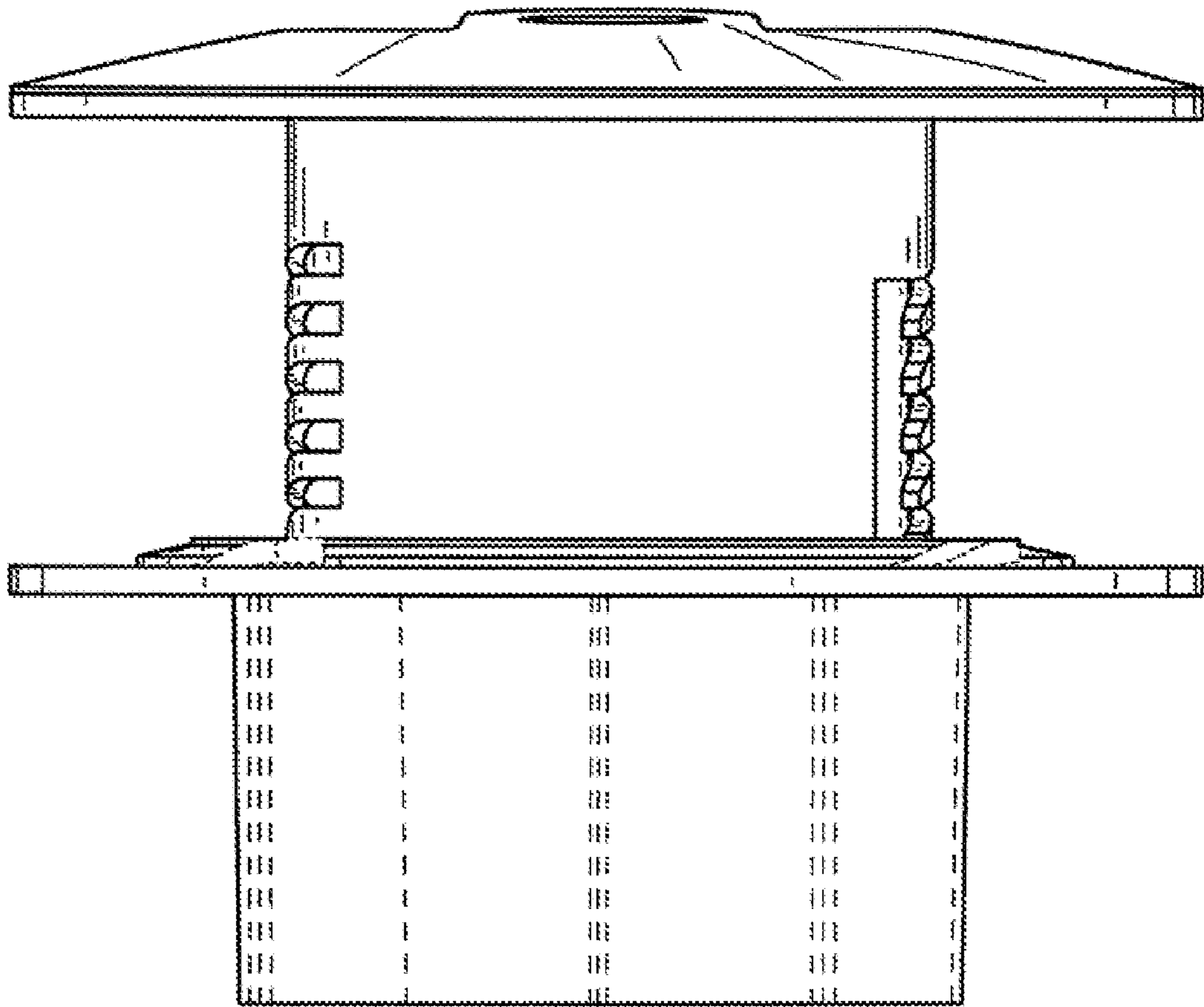


FIG.1

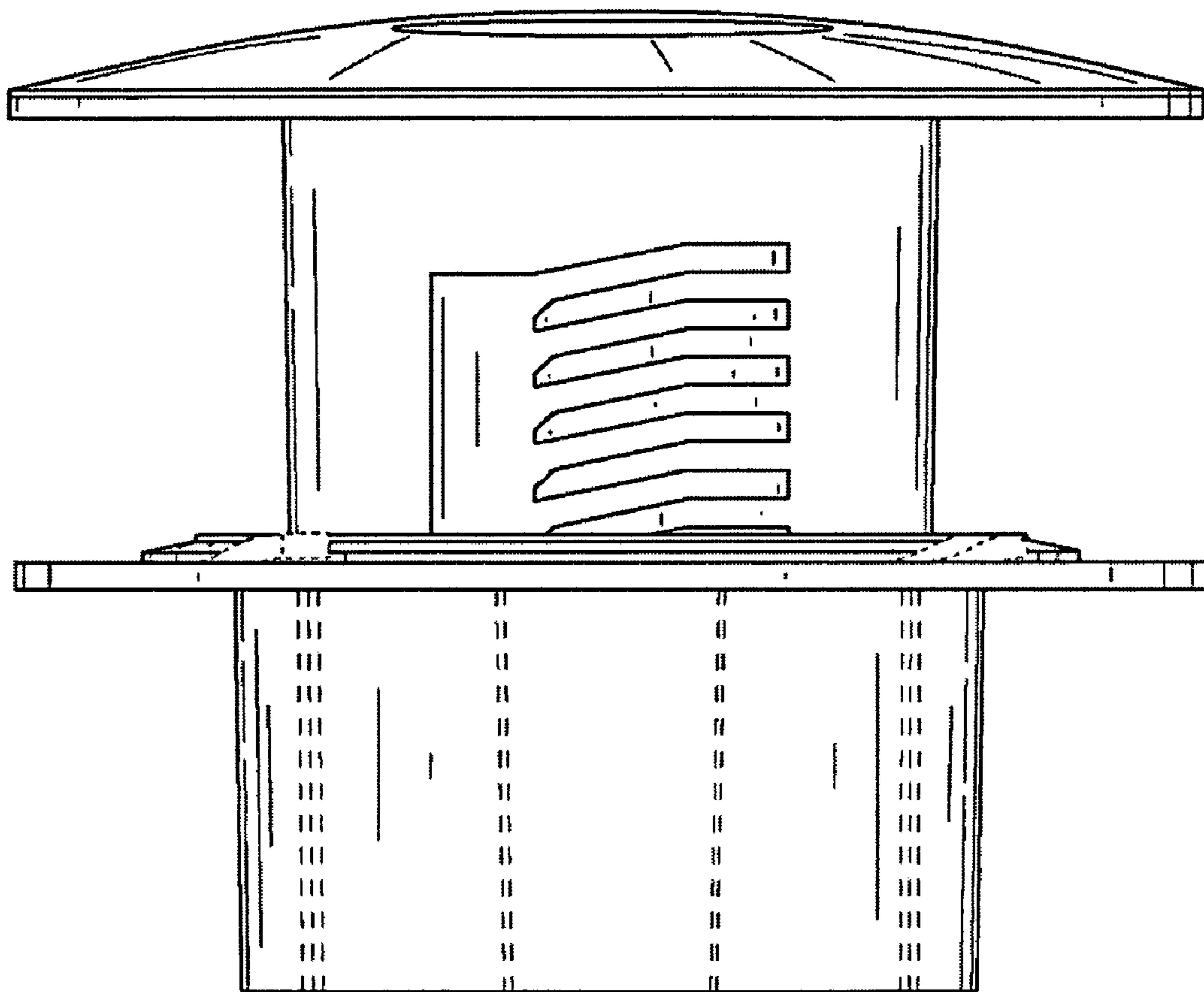


FIG.2

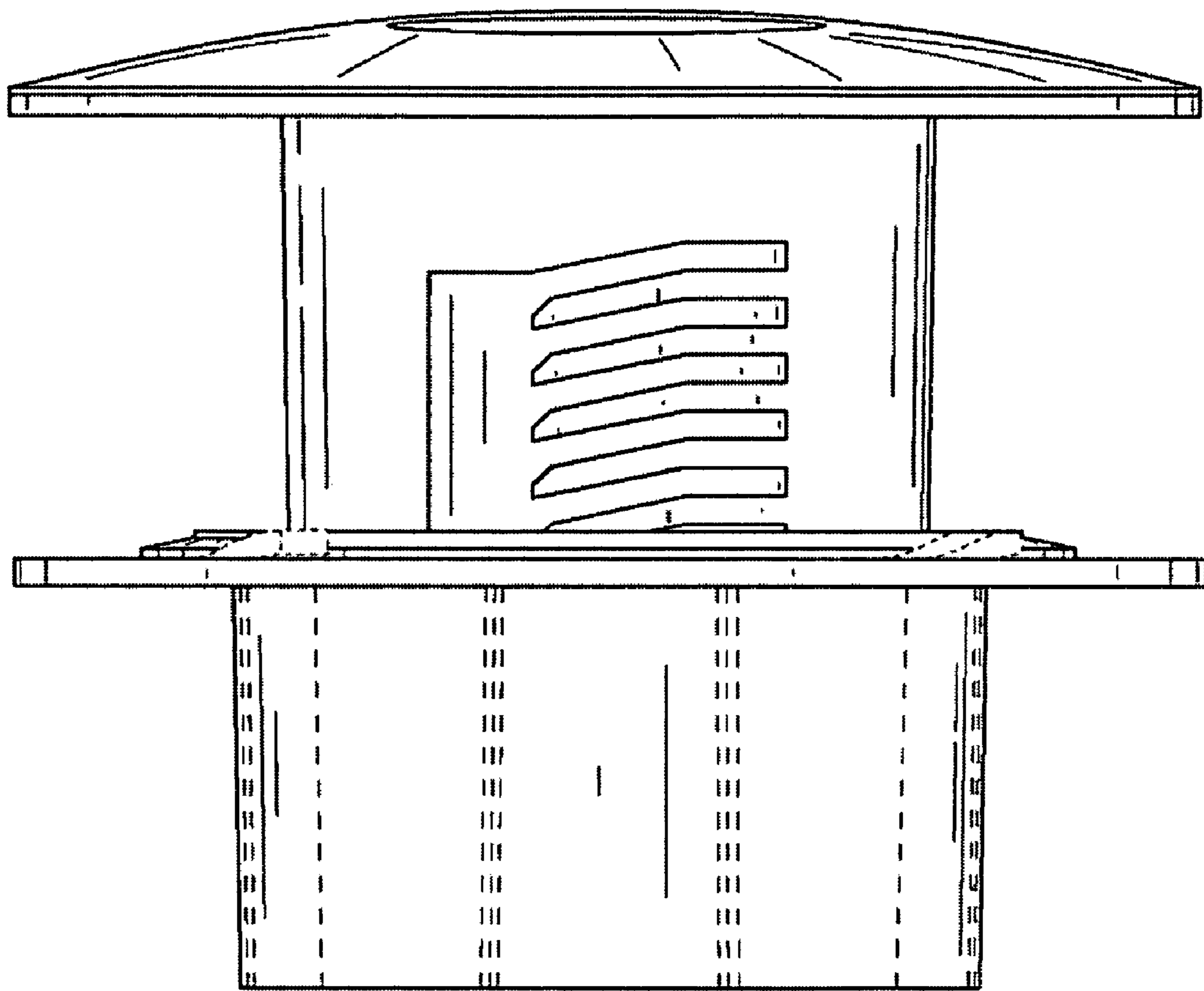


FIG.3

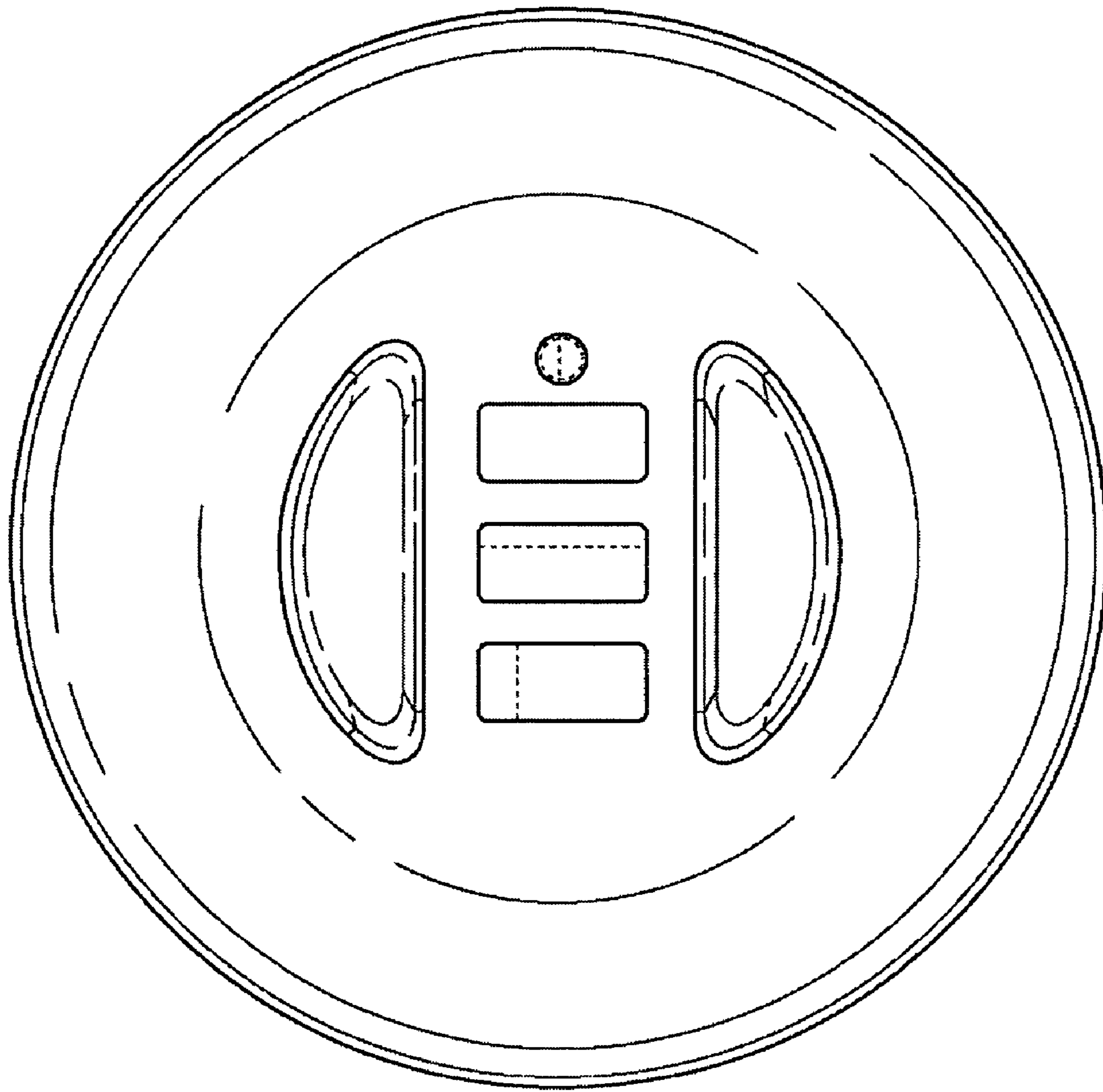


FIG.4

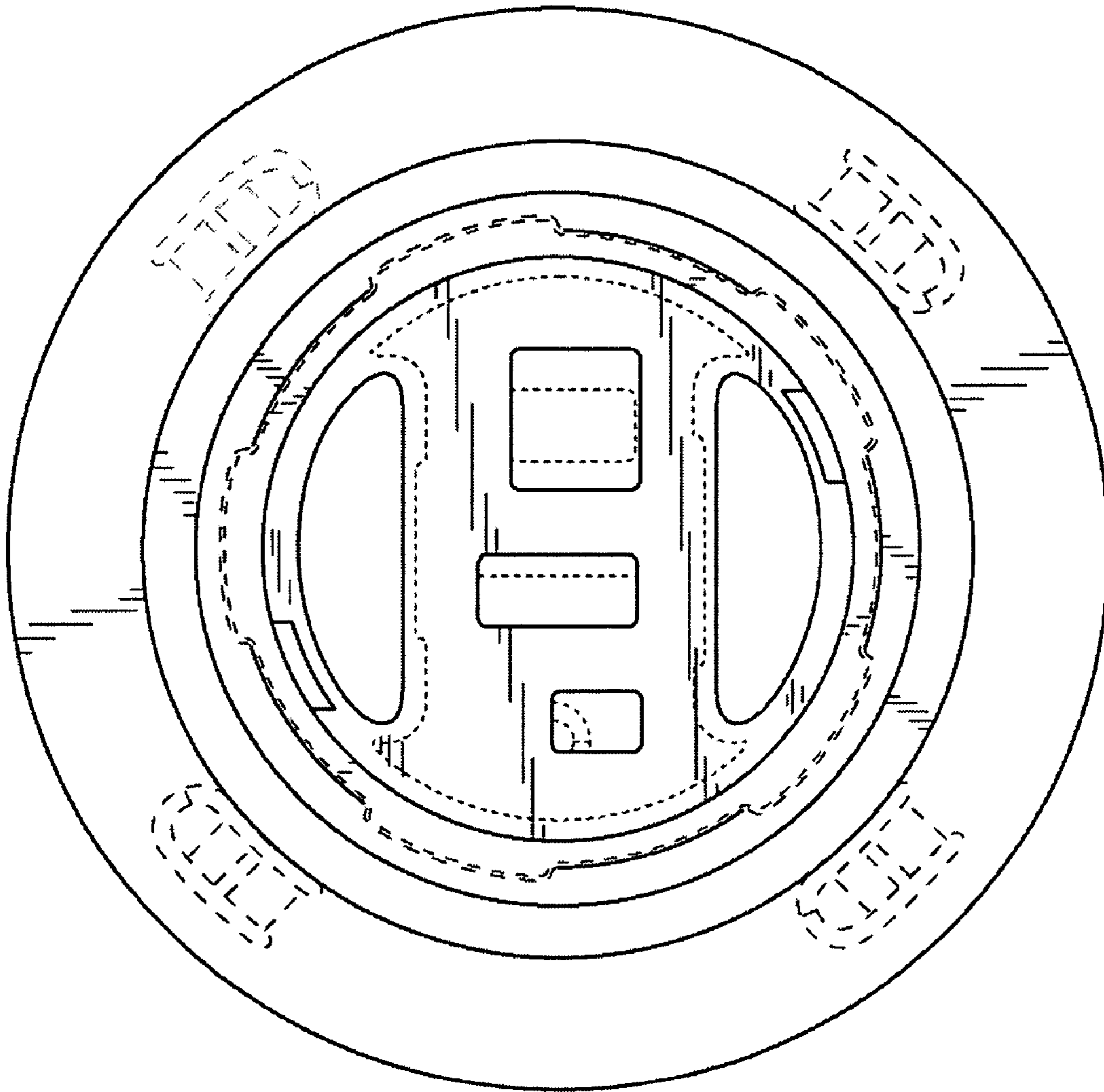


FIG.5

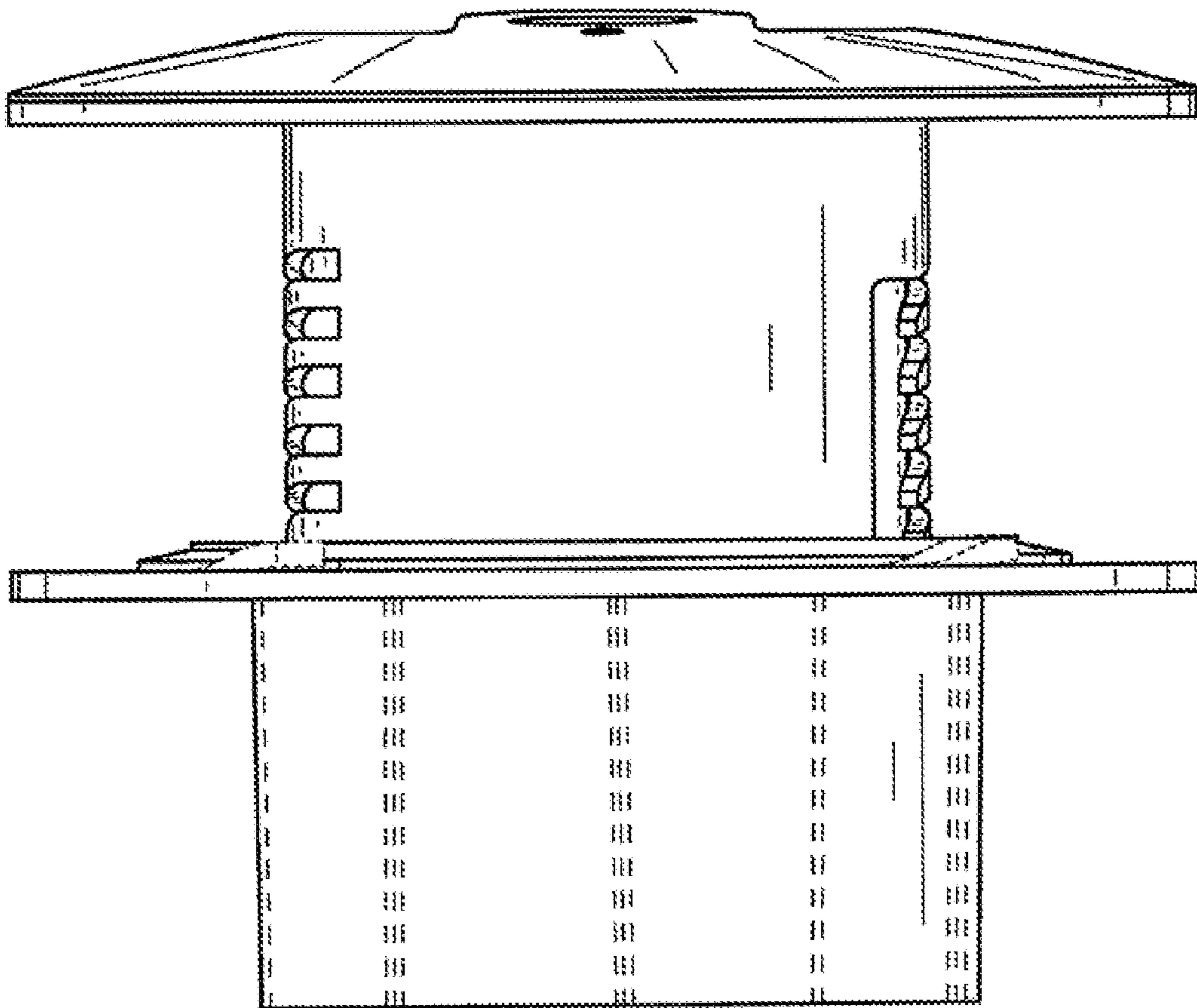


FIG.6

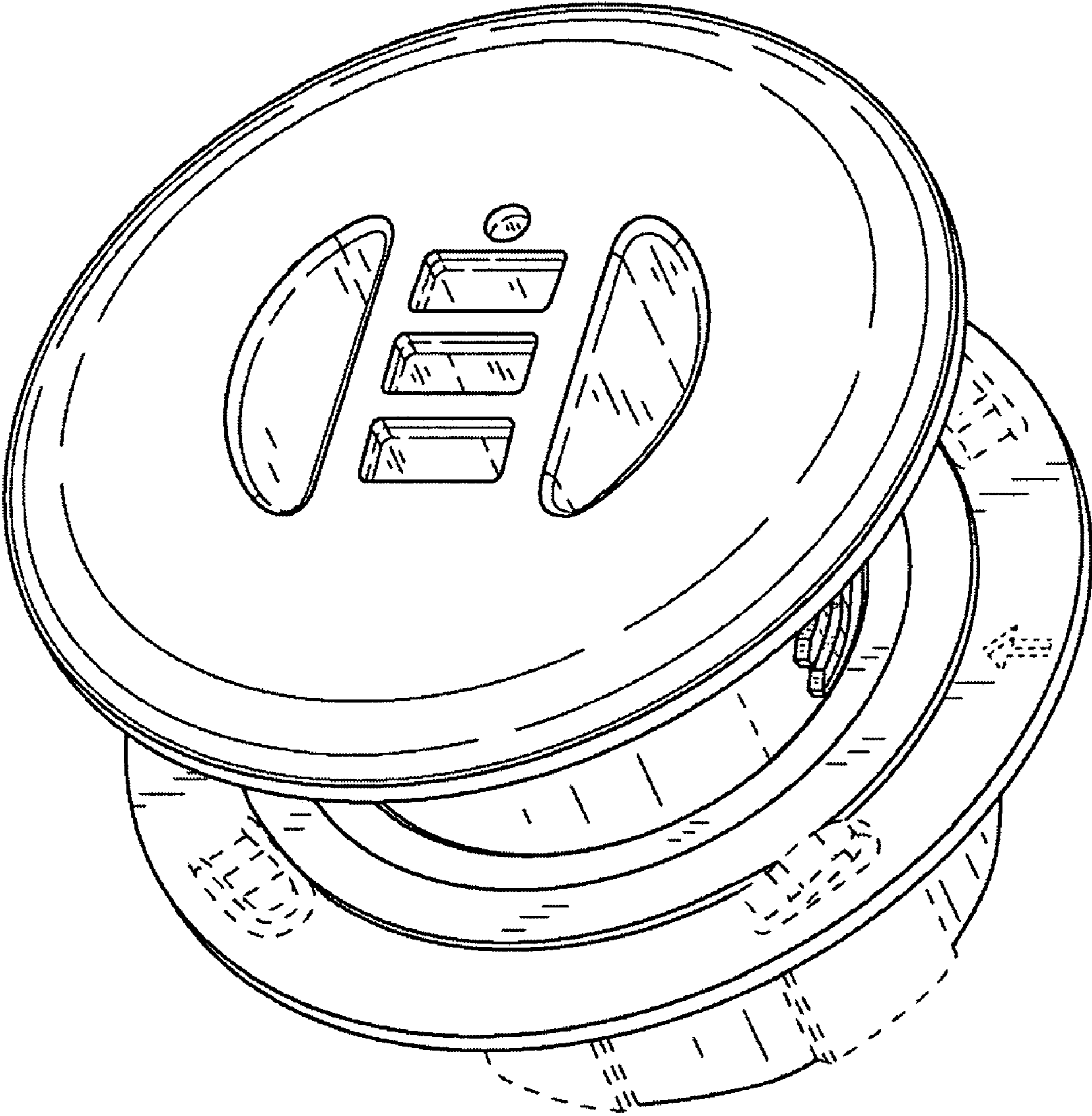


FIG.7

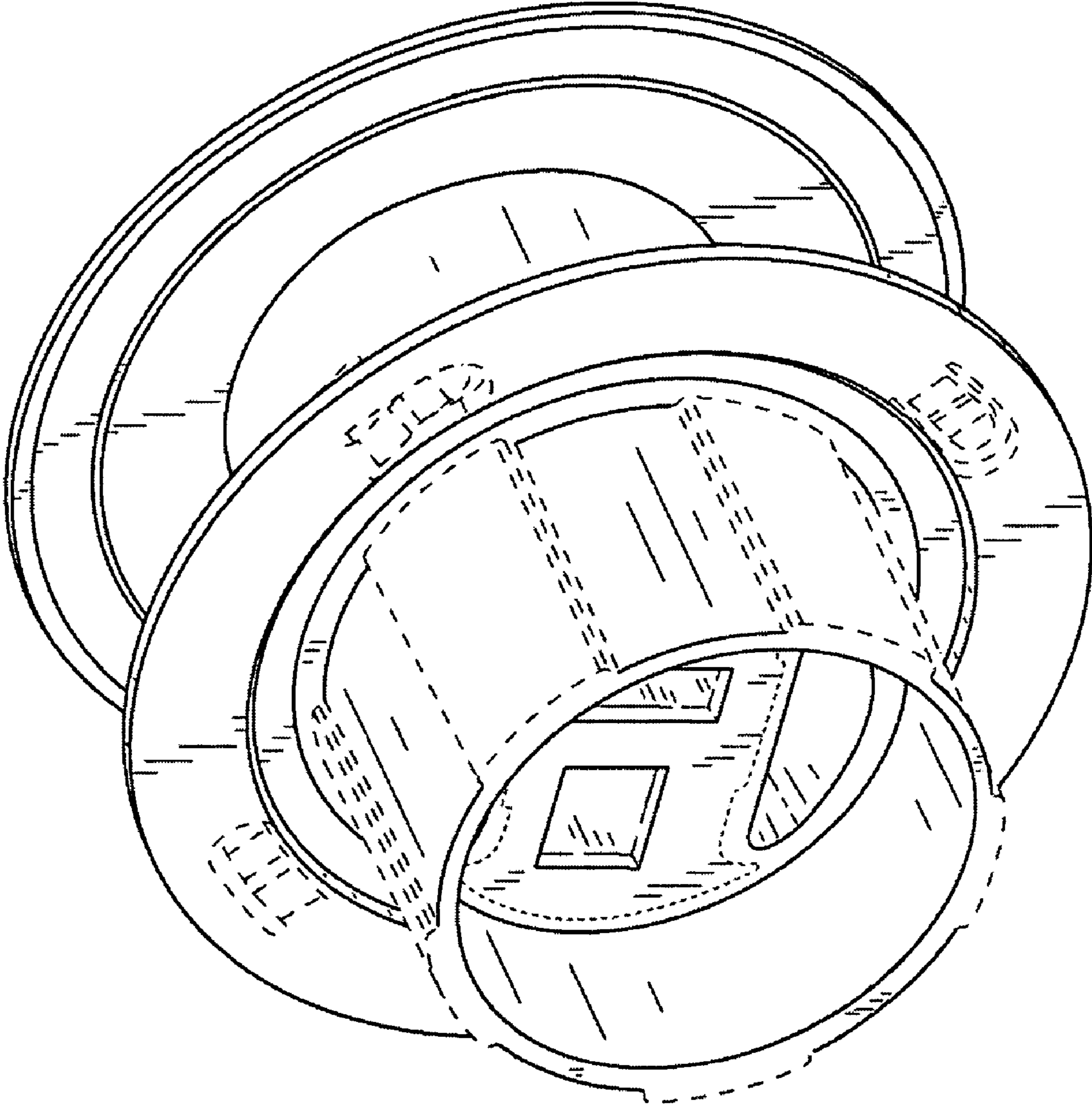


FIG.8