



US00D588903S

(12) **United States Design Patent**
Carnevali

(10) **Patent No.:** **US D588,903 S**

(45) **Date of Patent:** **** Mar. 24, 2009**

(54) **SUCTION CUP CLAMP ASSEMBLY**

(76) **Inventor:** **Jeffrey D. Carnevali**, 5957 Beach Dr.
SW., Seattle, WA (US) 98136

(**) **Term:** **14 Years**

(21) **Appl. No.:** **29/294,163**

(22) **Filed:** **Dec. 24, 2007**

(51) **LOC (9) Cl.** **08-05**

(52) **U.S. Cl.** **D8/355**

(58) **Field of Classification Search** D8/14,
D8/349, 154, 373, 394; D34/28, 35; 248/205.5,
248/205.7, 208.8, 206.1, 206.2, 206.3, 288.31,
248/309.3, 362, 363, 537, 683; 294/64.1;
D14/452

See application file for complete search history.

(56) **References Cited**

U.S. PATENT DOCUMENTS

D376,308	S	*	12/1996	Lee	D8/354
5,639,134	A	*	6/1997	Rusch et al.	294/64.1
5,845,885	A	*	12/1998	Carnevali	248/181.1
D446,623	S	*	8/2001	Smith	D34/35
6,467,227	B2	*	10/2002	Elmer	52/235
6,561,476	B2	*	5/2003	Carnevali	248/288.31
D490,201	S	*	5/2004	Liao	D34/28
D506,380	S	*	6/2005	Chu	D8/349
D510,853	S	*	10/2005	Liao	D8/354

D521,850	S	*	5/2006	Richter et al.	D8/354
D522,010	S	*	5/2006	Piazza et al.	D14/452
7,219,867	B2	*	5/2007	Kalis et al.	248/288.31
D553,478	S	*	10/2007	Liao	D8/354
D556,205	S	*	11/2007	Wohlford et al.	D14/452

* cited by examiner

Primary Examiner—Holly H Baynham

Assistant Examiner—Cynthia M Chin

(74) *Attorney, Agent, or Firm*—Charles J. Rupnick, Attorney
at Law

(57) **CLAIM**

The ornamental design for a suction cup clamp assembly, as
shown and described.

DESCRIPTION

FIG. 1 is perspective view of a suction cup clamp assembly
showing my new design;

FIG. 2 is a top plan view thereof;

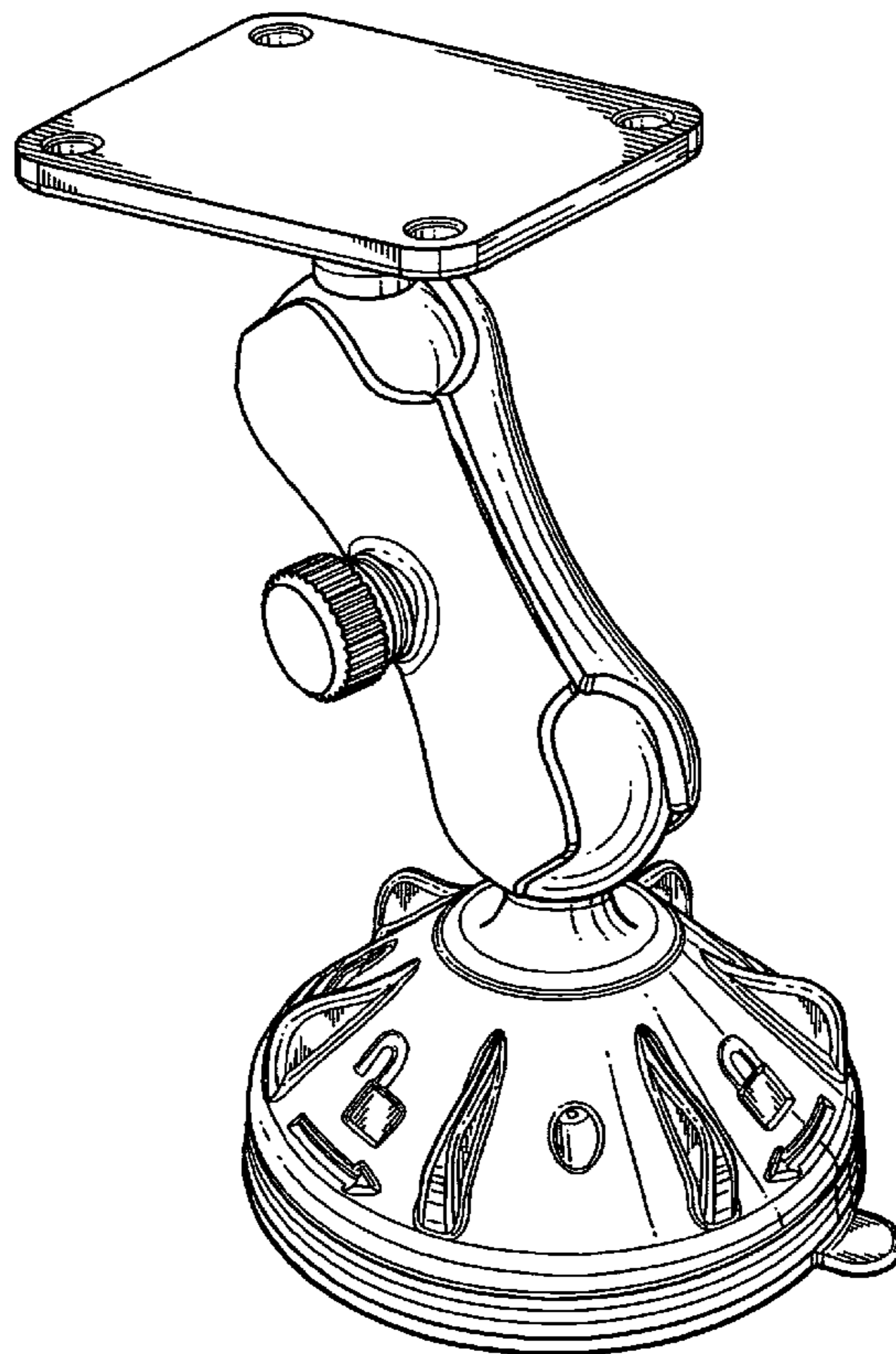
FIG. 3 is a first side elevational view thereof;

FIG. 4 is a second side elevational view thereof with the arm
tilted further downward;

FIG. 5 is a third side elevational view thereof with the arm
tilted even further downward; and,

FIG. 6 is an end elevational view thereof.

1 Claim, 6 Drawing Sheets



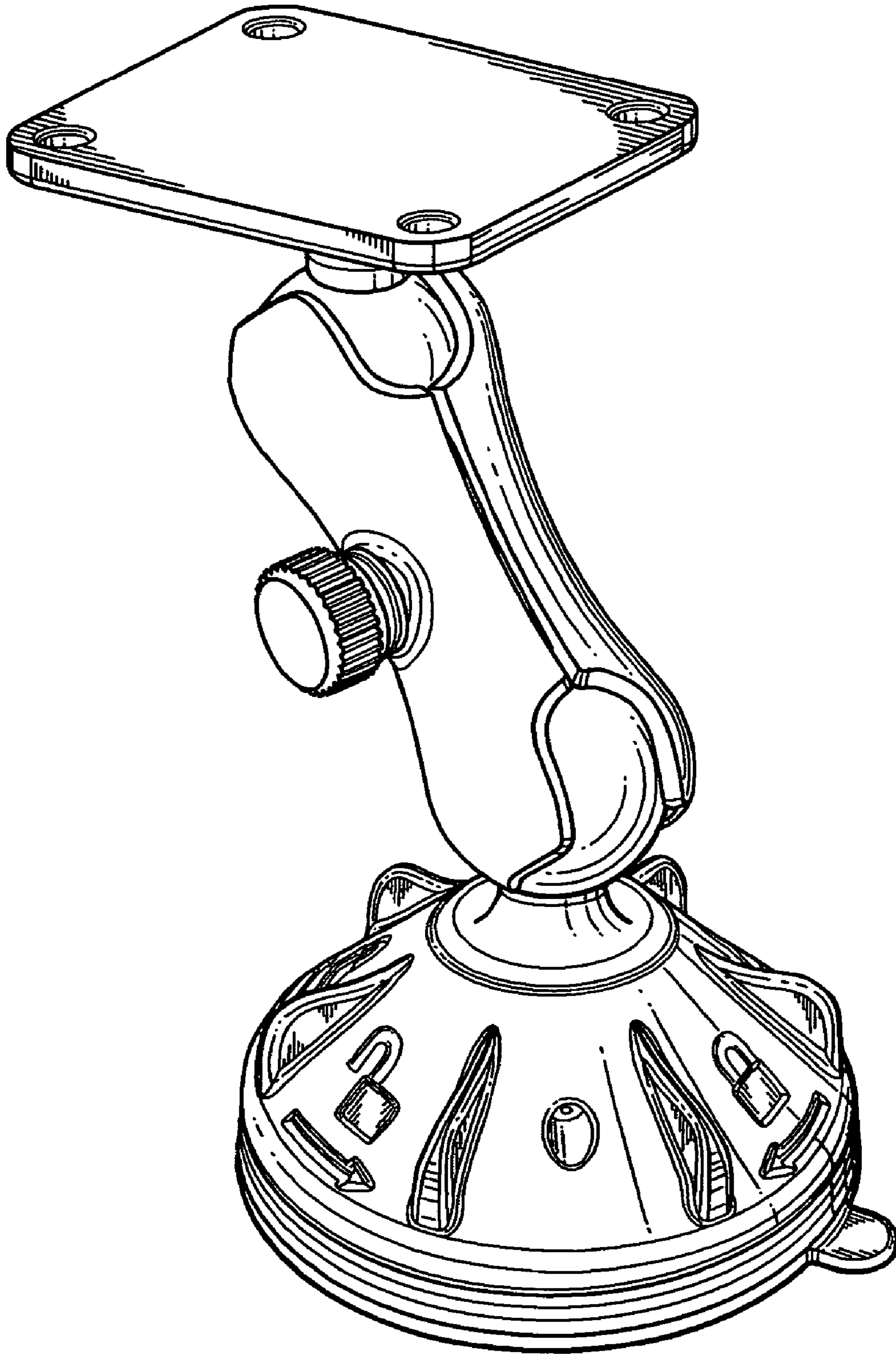


FIG. 1

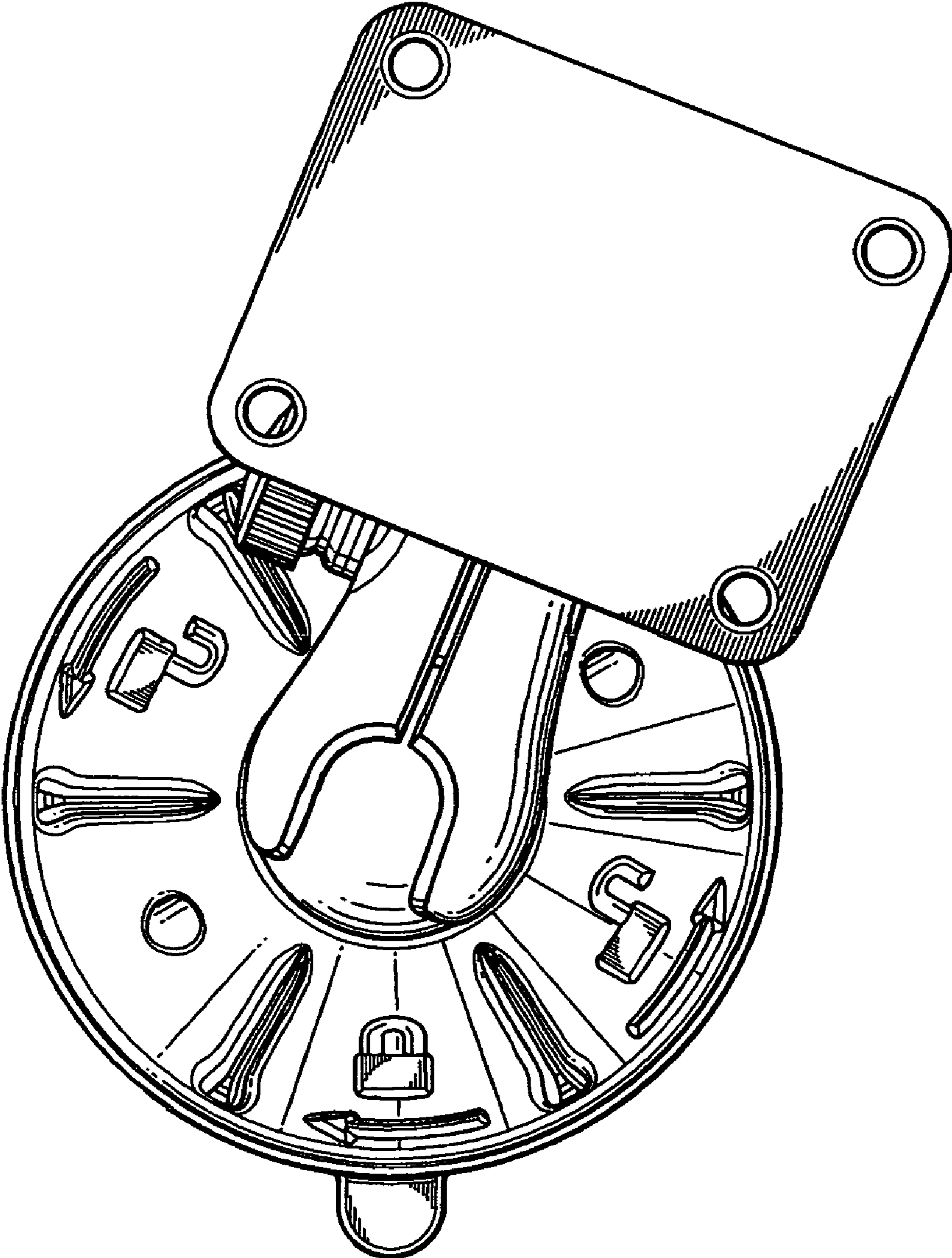


FIG. 2

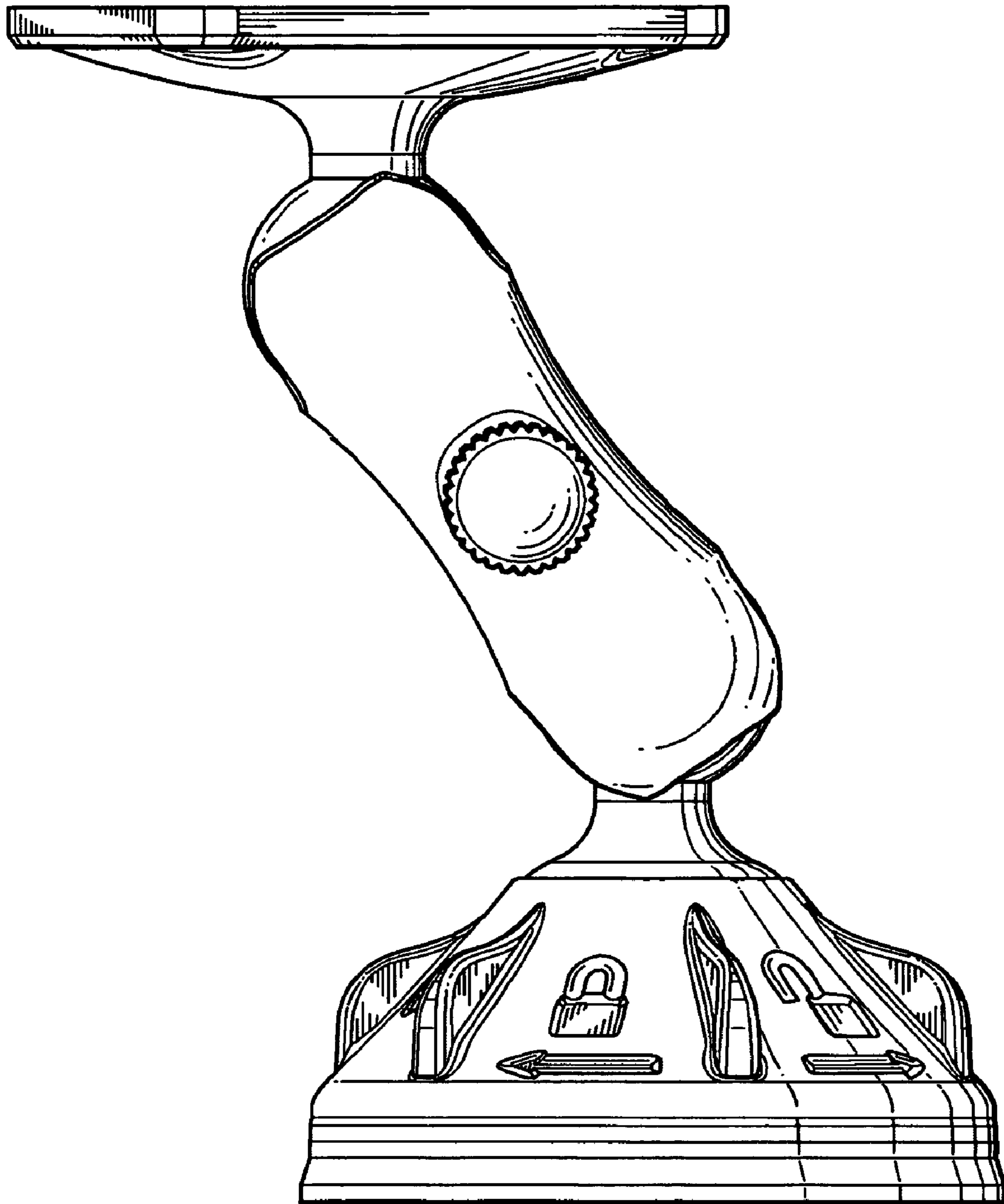


FIG. 3

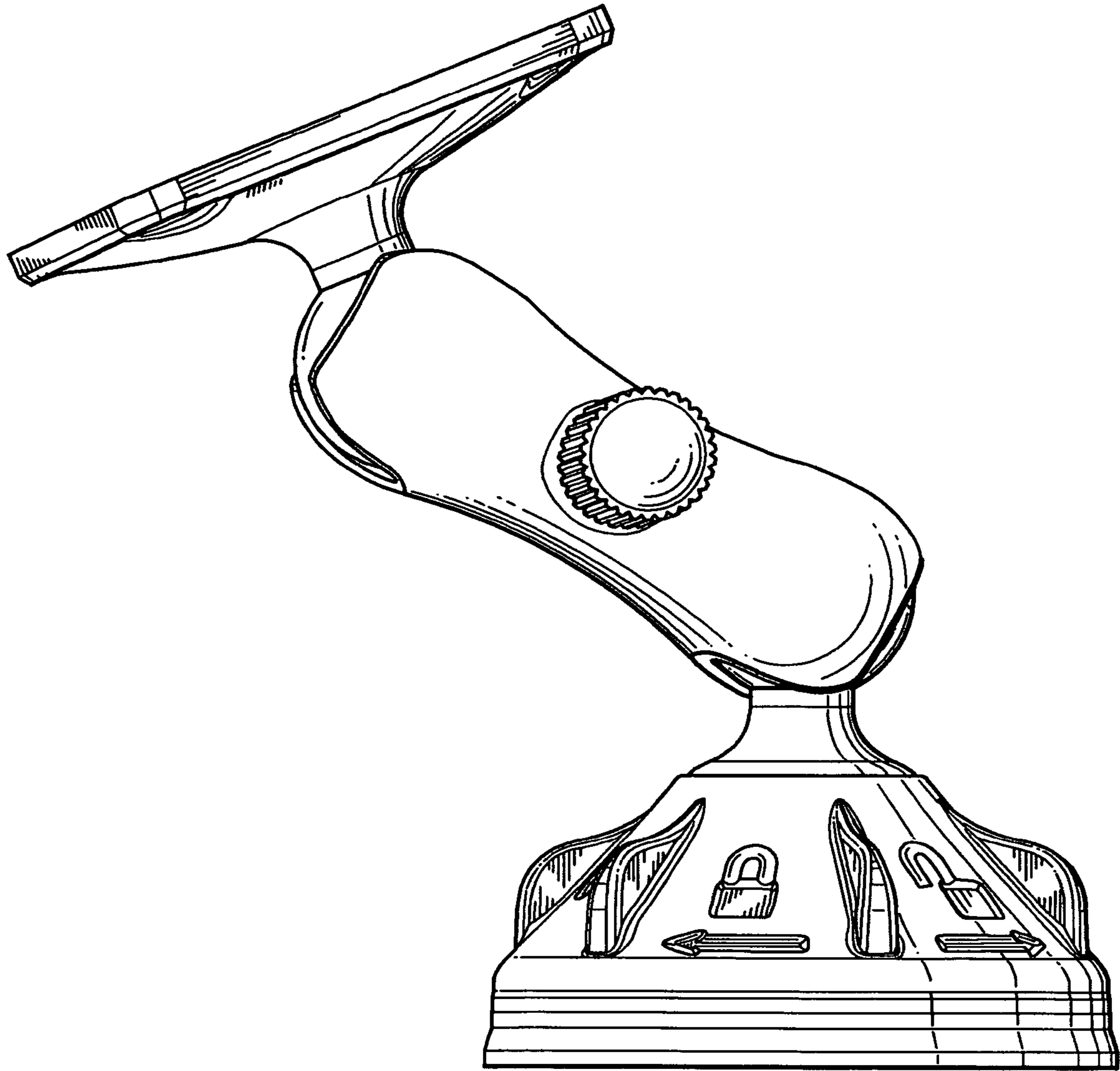


FIG. 4

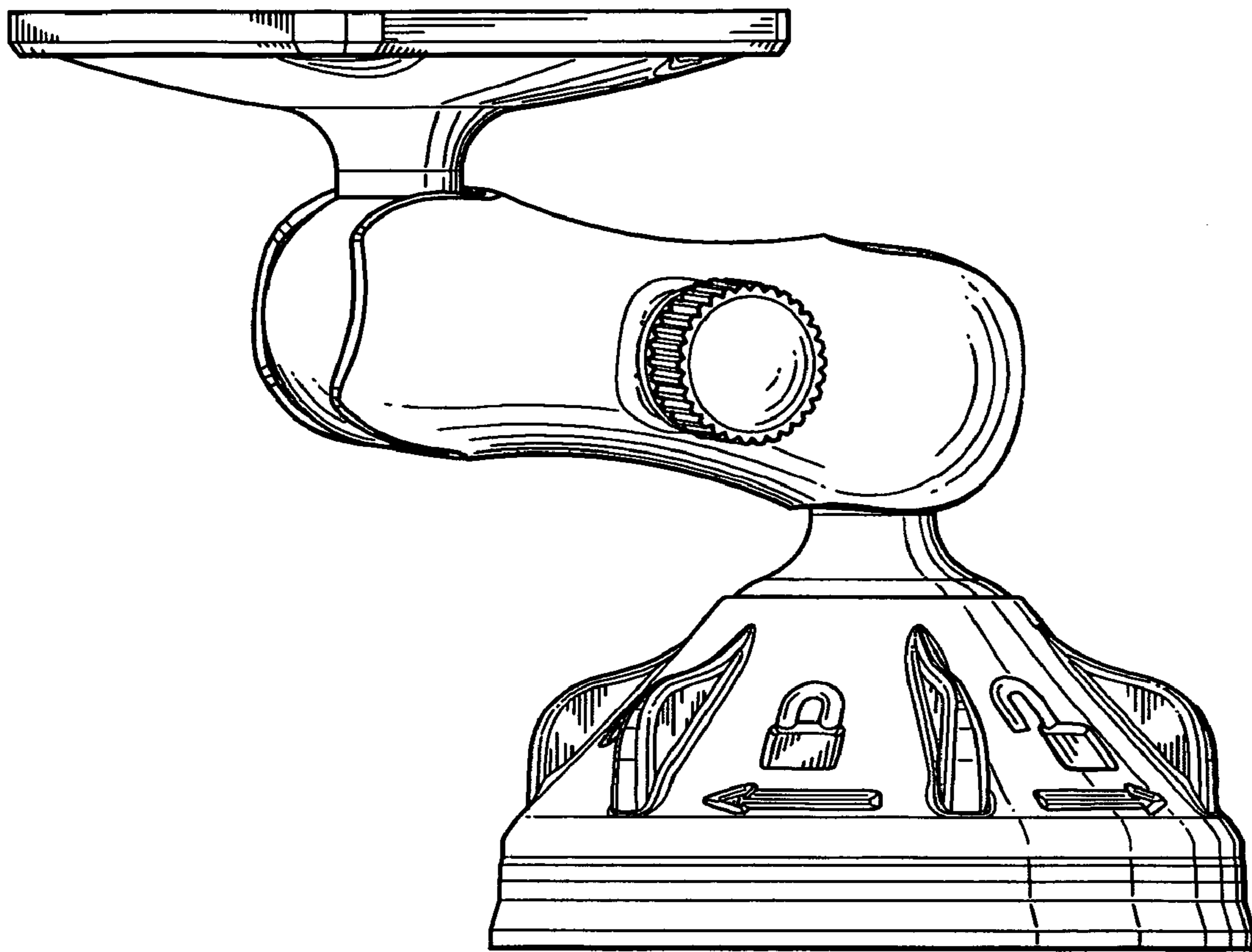


FIG. 5

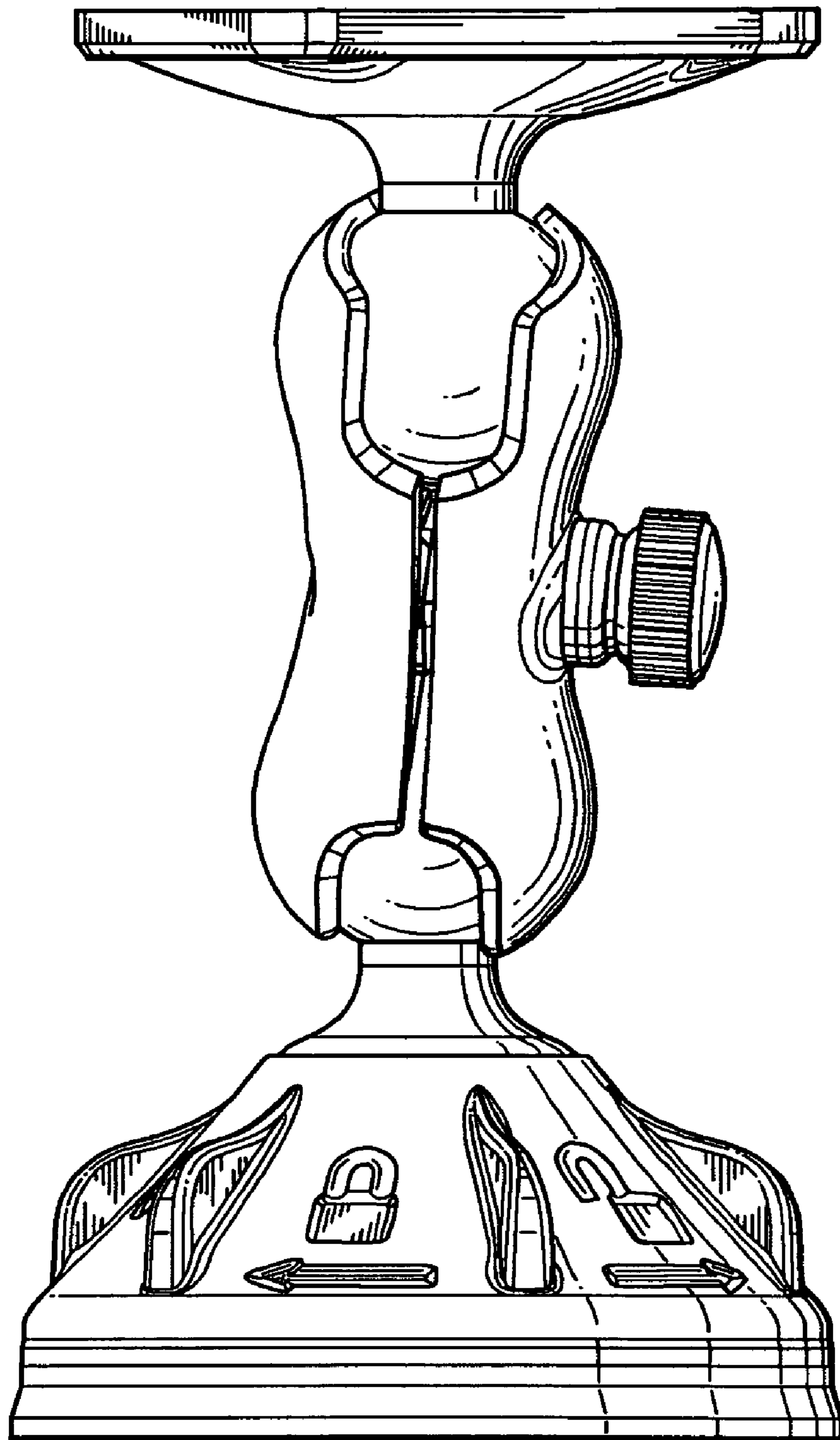


FIG. 6