



US00D588901S

(12) **United States Design Patent**
Curtis-Bey

(10) **Patent No.:** **US D588,901 S**

(45) **Date of Patent:** **** Mar. 24, 2009**

(54) **DOOR BELL ESCUTCHEON**

(75) Inventor: **Ralph Wesley Curtis-Bey**, Brooklyn, NY (US)

(73) Assignee: **Linda Curtis-Bey**, Brooklyn, NY (US)

(**) Term: **14 Years**

(21) Appl. No.: **29/192,426**

(22) Filed: **Aug. 11, 2004**

(51) **LOC (9) Cl.** **11-05**

(52) **U.S. Cl.** **D8/351**

(58) **Field of Classification Search** D8/350-353;
D10/123, 108, 125; D11/95, 96, 184; D13/171,
D13/169, 158, 174, 184; D12/197, 199;
D99/25-27, 99; 174/66, 67; 428/3; 27/1
See application file for complete search history.

(56) **References Cited**

U.S. PATENT DOCUMENTS

- D26,455 S * 12/1896 Mishler et al. D11/96
- D127,447 S * 5/1941 Bradley et al. D11/96
- D148,622 S * 2/1948 Hillman D8/351
- D172,092 S * 5/1954 Grohsgal D10/118
- 2,712,191 A * 7/1955 Hillenbrand 428/3
- D226,423 S * 3/1973 Mellyn D8/351

- 3,811,909 A * 5/1974 Bertsch 427/270
- D241,809 S * 10/1976 Mellyn D8/353
- D241,810 S * 10/1976 Mellyn D8/351
- D241,812 S * 10/1976 Mellyn D8/351
- D241,813 S * 10/1976 Mellyn D8/350
- D241,908 S * 10/1976 Mellyn D8/350
- 4,004,547 A * 1/1977 Todd 116/148
- D259,773 S * 7/1981 Sweet D11/141
- D435,712 S * 12/2000 Knudsen D99/27
- D454,775 S * 3/2002 Hirsch, III D8/351
- D505,529 S * 5/2005 Mitchell D99/27

* cited by examiner

Primary Examiner—Stella M Reid

Assistant Examiner—Mark A Goodwin

(57) **CLAIM**

The ornamental design for a door bell escutcheon, as shown and described.

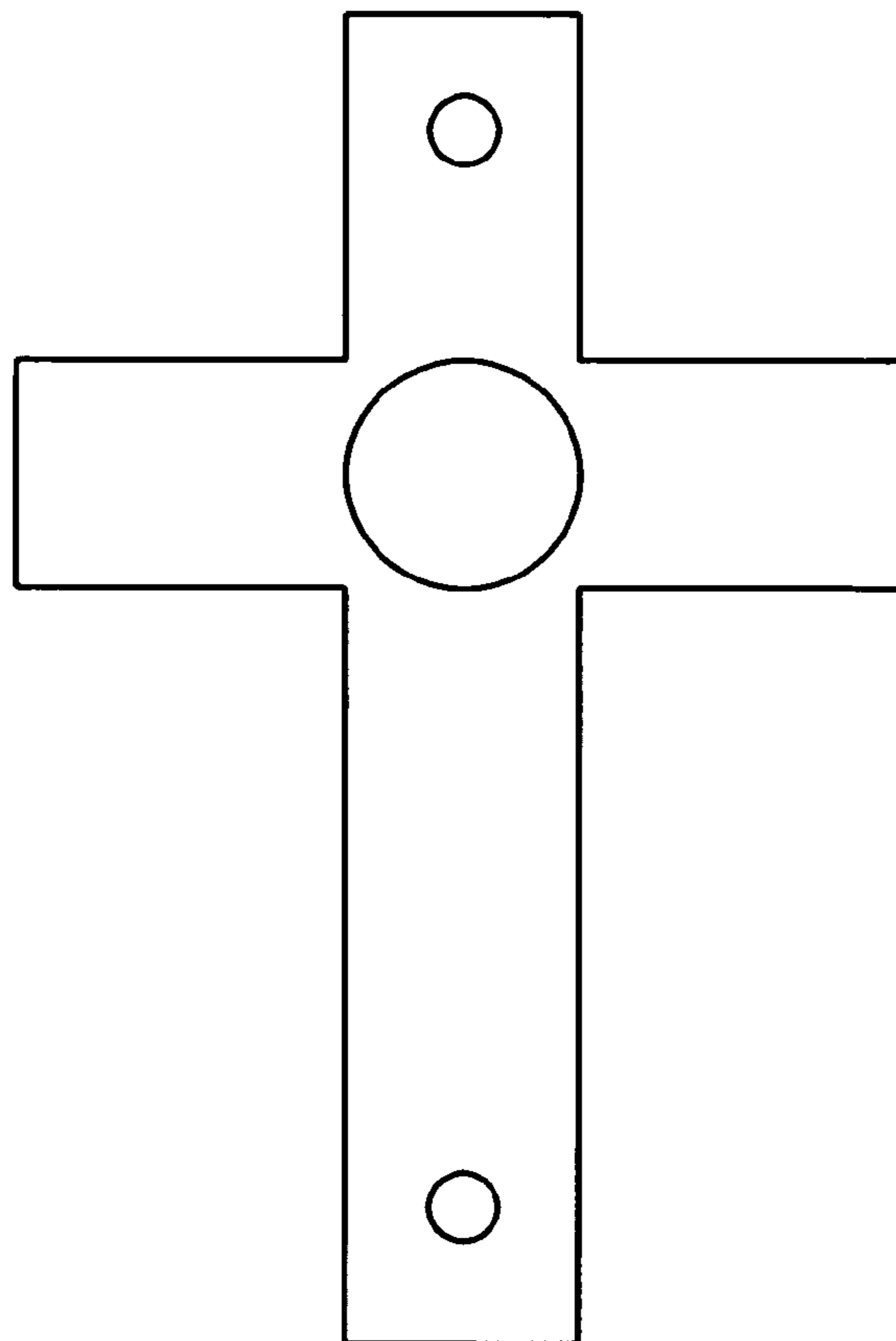
DESCRIPTION

FIG. 1 is a front elevational view of a door bell escutcheon showing my new design; and,

FIG. 2 is a rear elevational view thereof.

The left, right, top, and bottom side views not shown form no part of the claimed design.

1 Claim, 1 Drawing Sheet



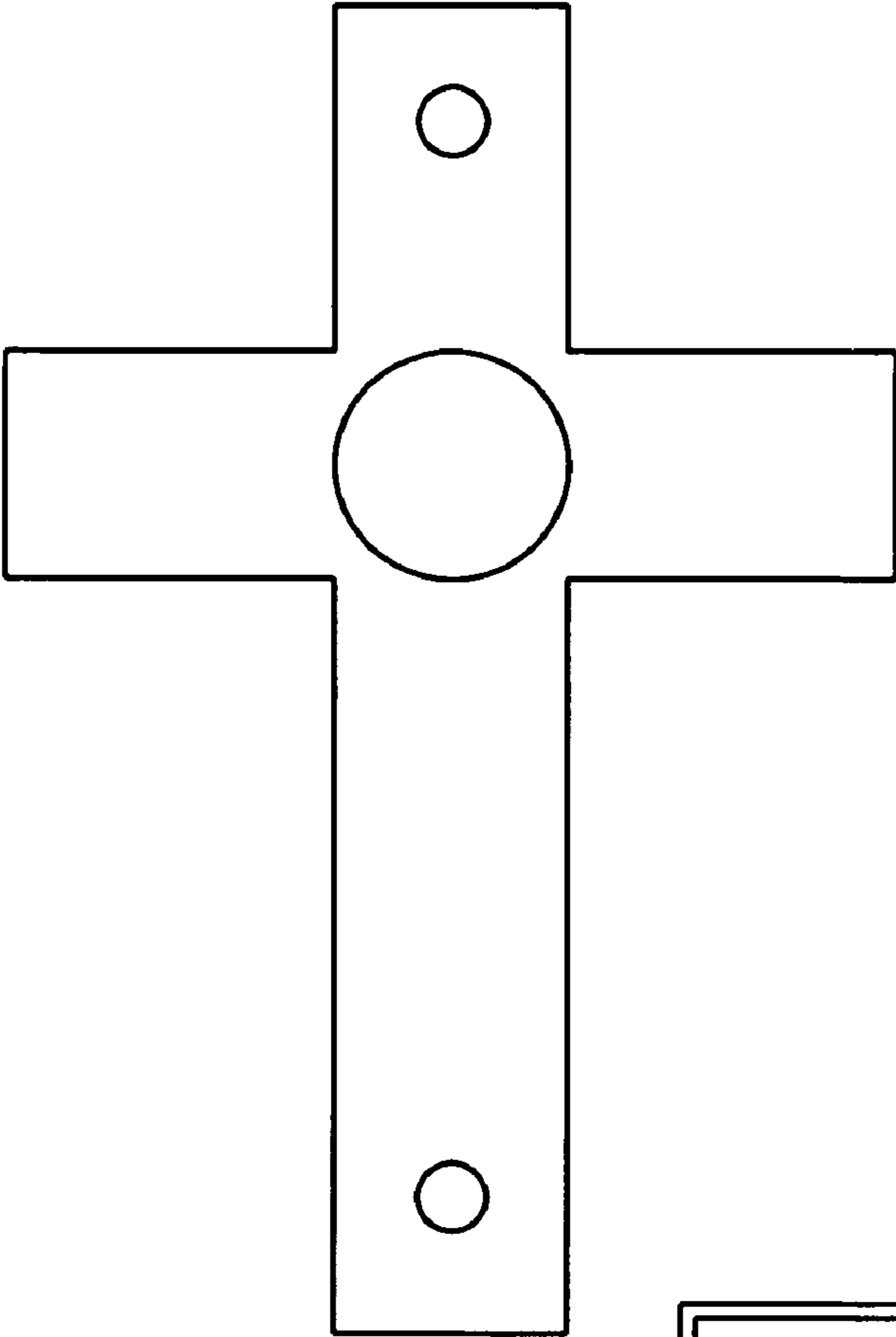


FIG. 1

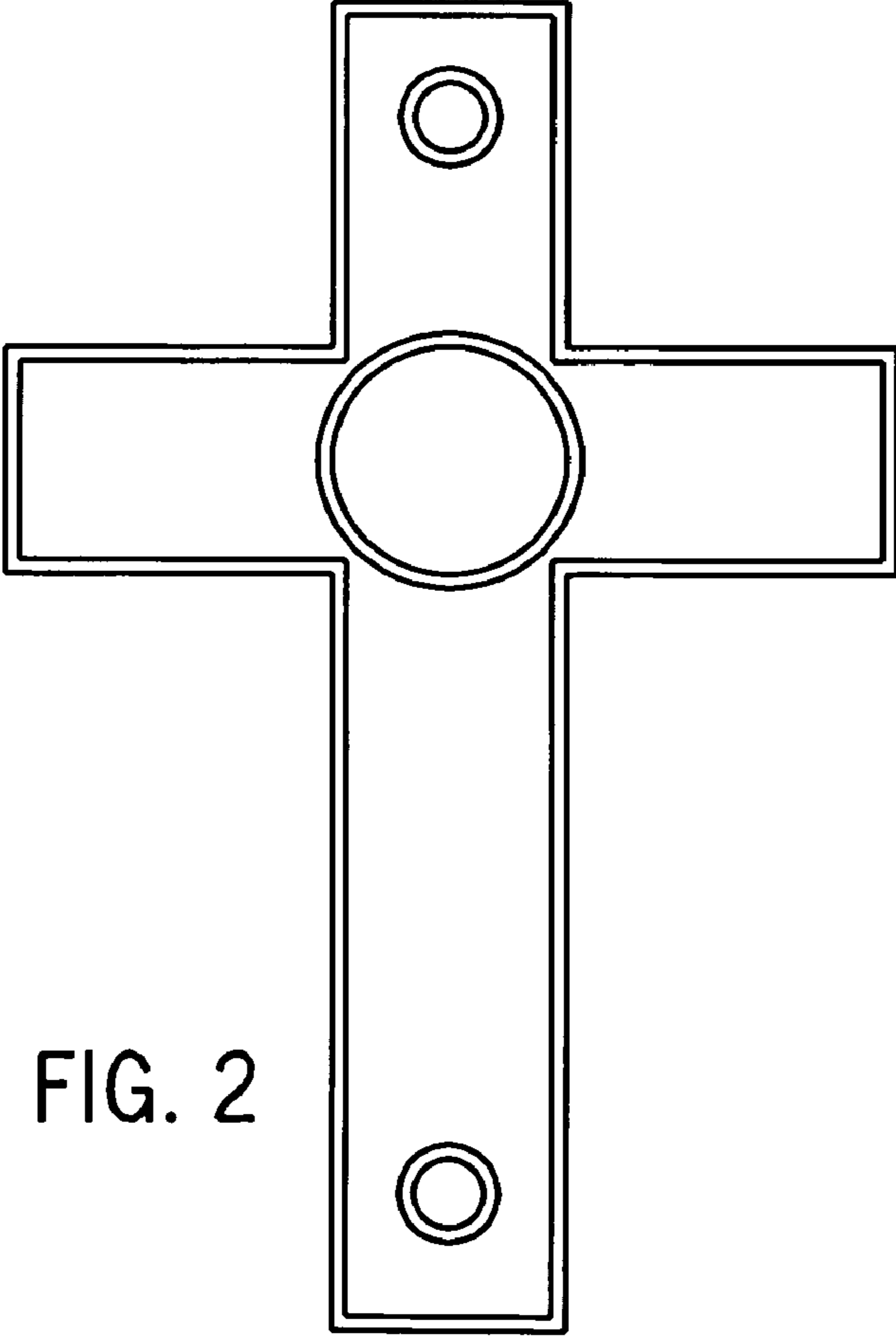


FIG. 2