



US00D588900S

(12) **United States Design Patent**  
**Knox**

(10) **Patent No.:** **US D588,900 S**  
(45) **Date of Patent:** **\*\* Mar. 24, 2009**

(54) **ANTI-THEFT LOCKING DEVICE FOR PORTABLE ELECTRONIC EQUIPMENT**

6,351,975 B1 \* 3/2002 Valdes ..... 70/56  
6,681,603 B1 \* 1/2004 Yu ..... 70/18  
7,129,841 B2 \* 10/2006 Feibelman ..... 340/568.1  
2002/0056295 A1 \* 5/2002 Huang ..... 70/58

(75) Inventor: **Stefan Knox**, Billingshurst (GB)

\* cited by examiner

(73) Assignee: **Autosafe International Limited**, Guildford, Surrey (GB)

*Primary Examiner*—Antoine D Davis

(\*\*) Term: **14 Years**

(74) *Attorney, Agent, or Firm*—Fay Sharpe LLP

(21) Appl. No.: **29/322,718**

(57) **CLAIM**

(22) Filed: **Aug. 11, 2008**

The ornamental design for an anti-theft locking device for portable electronic equipment, as shown and described.

(30) **Foreign Application Priority Data**

**DESCRIPTION**

Feb. 12, 2008 (EM) ..... 000879168-0001

FIG. 1 is a perspective view of an anti-theft locking device for portable electronic equipment showing a first embodiment of my new design;

(51) **LOC (9) Cl.** ..... **08-07**

(52) **U.S. Cl.** ..... **D8/330**

(58) **Field of Classification Search** ..... D8/330-342;  
70/14, 18, 19, 58, 62, 100, 129, 360, 361;  
248/74.4, 553, 316.4, 231.41; 292/150

FIG. 2 is a front elevational view thereof;

FIG. 3 is a rear elevational view thereof;

FIG. 4 is a right side elevational view thereof;

FIG. 5 is a left side elevational view thereof;

FIG. 6 is a top plan view thereof; and,

FIG. 7 is a bottom plan view thereof.

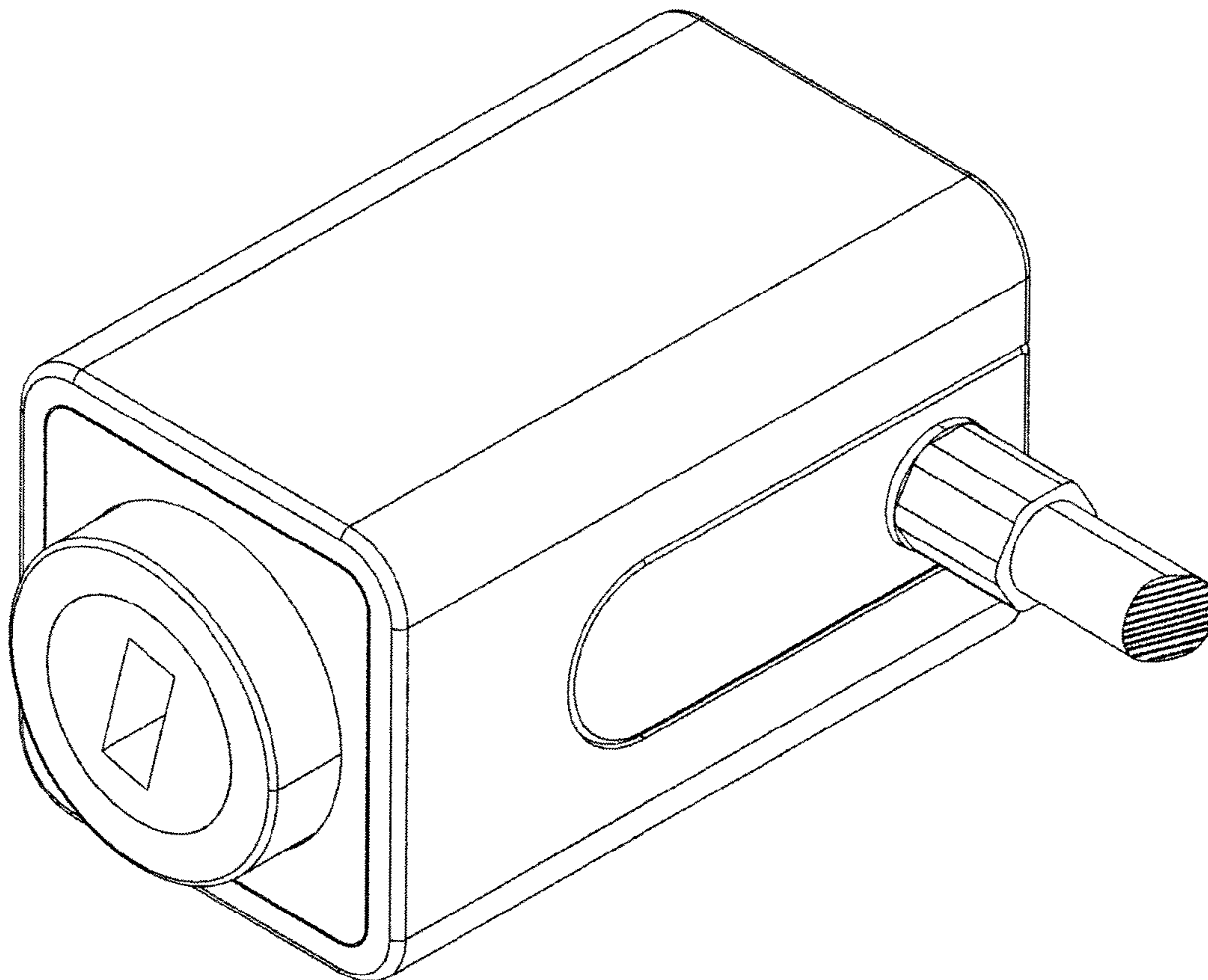
See application file for complete search history.

(56) **References Cited**

**U.S. PATENT DOCUMENTS**

D276,306 S \* 11/1984 Turner et al. .... D8/330  
6,109,074 A \* 8/2000 Du ..... 70/18

**1 Claim, 7 Drawing Sheets**



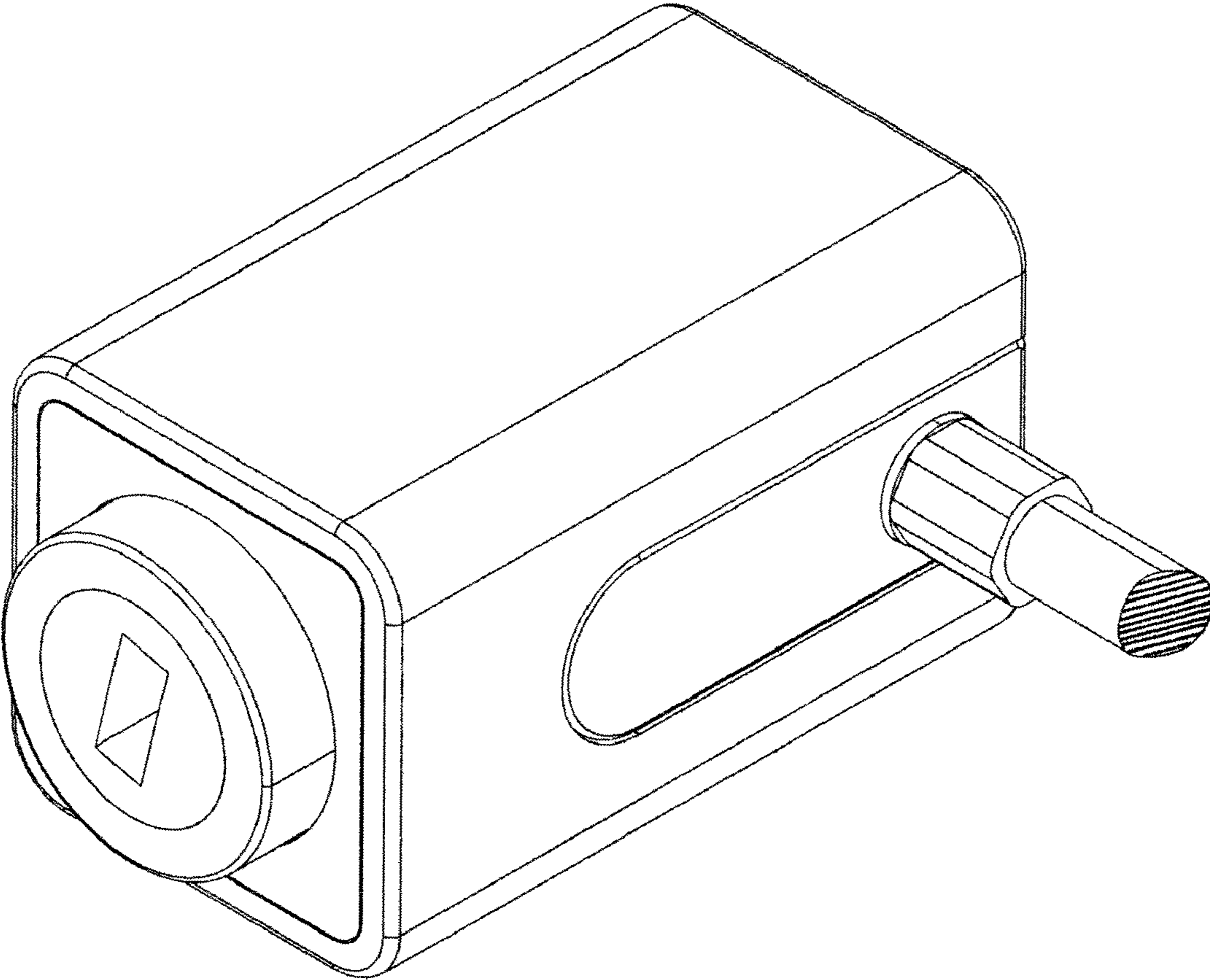


FIG. 1

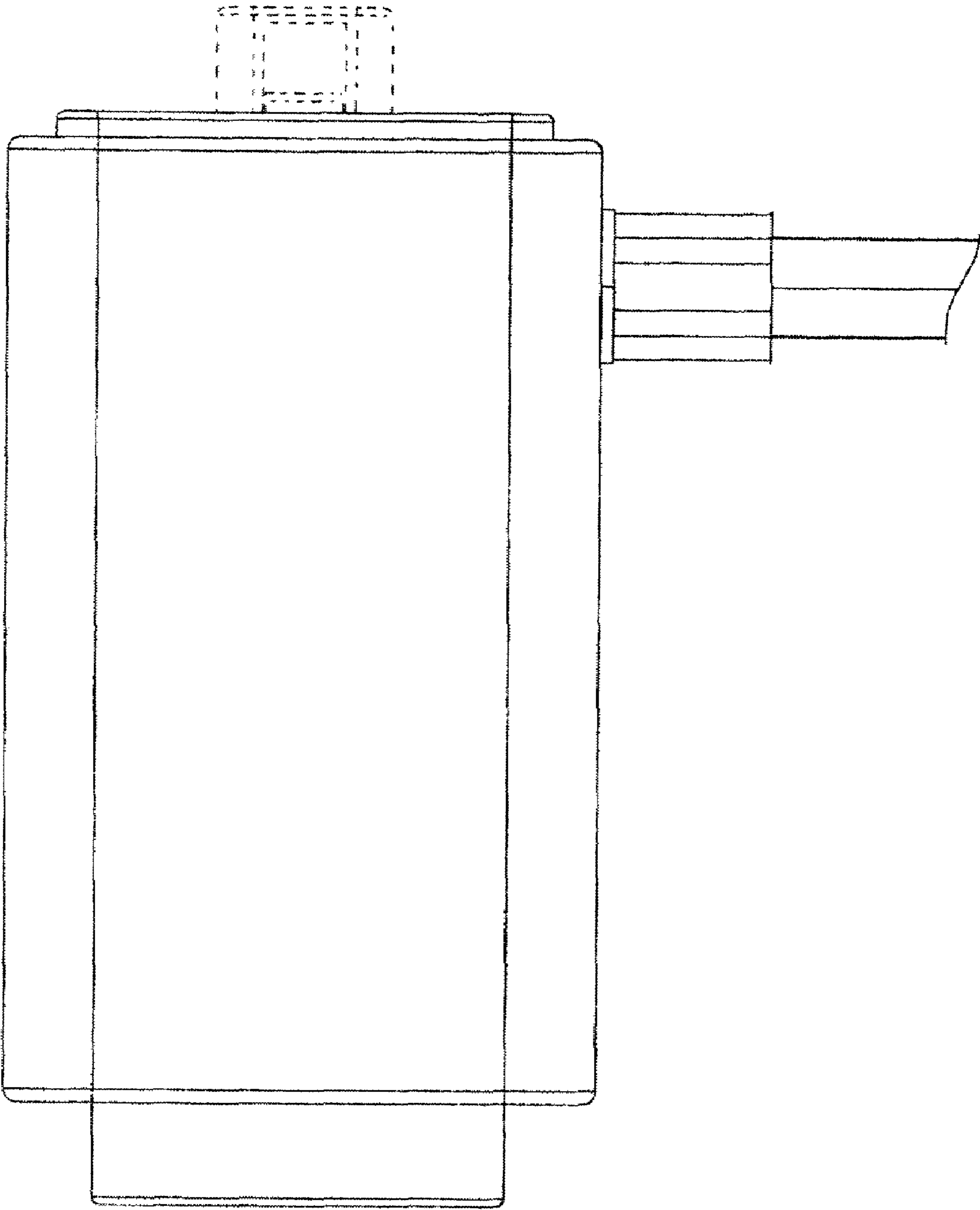


FIG. 2

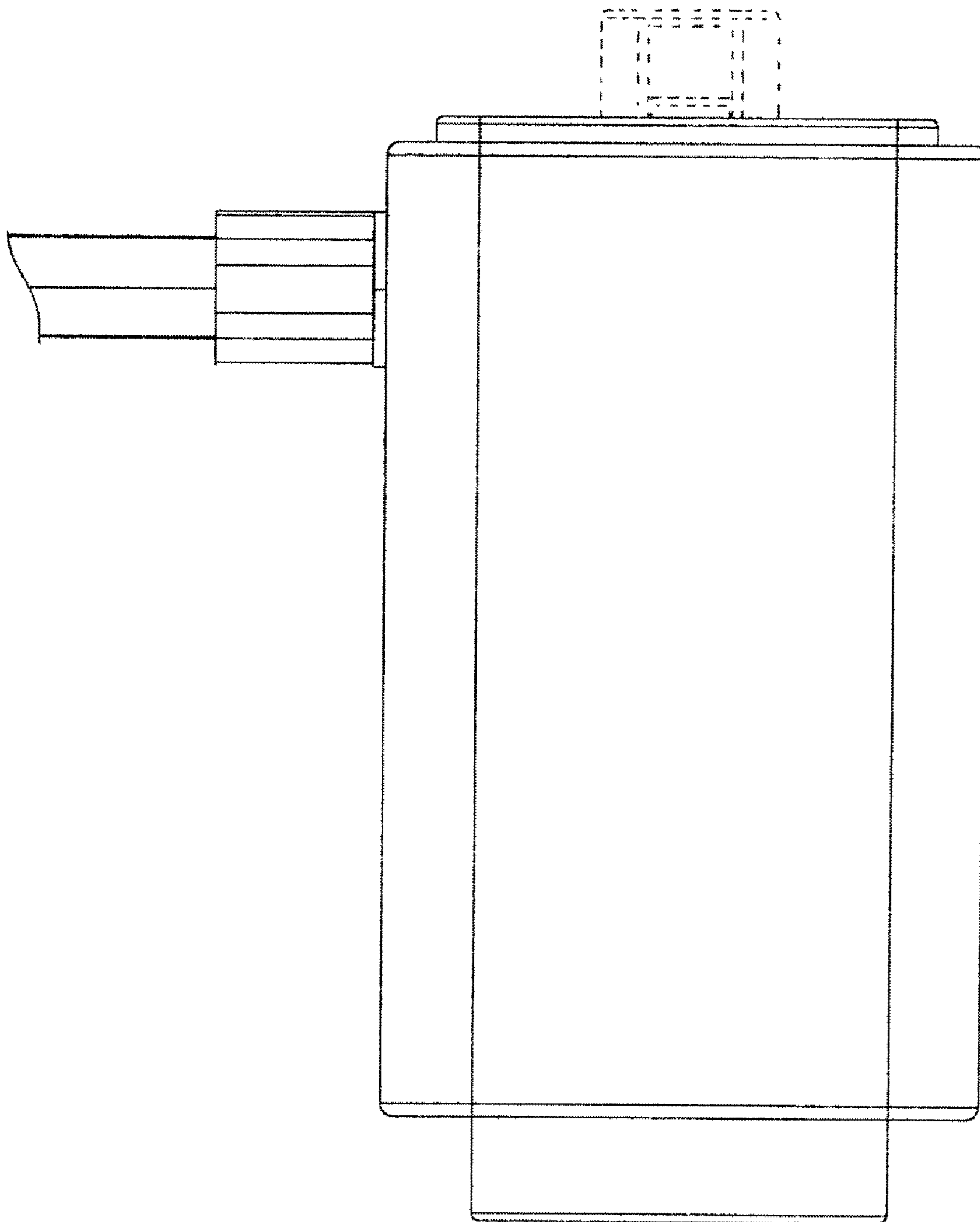


FIG. 3

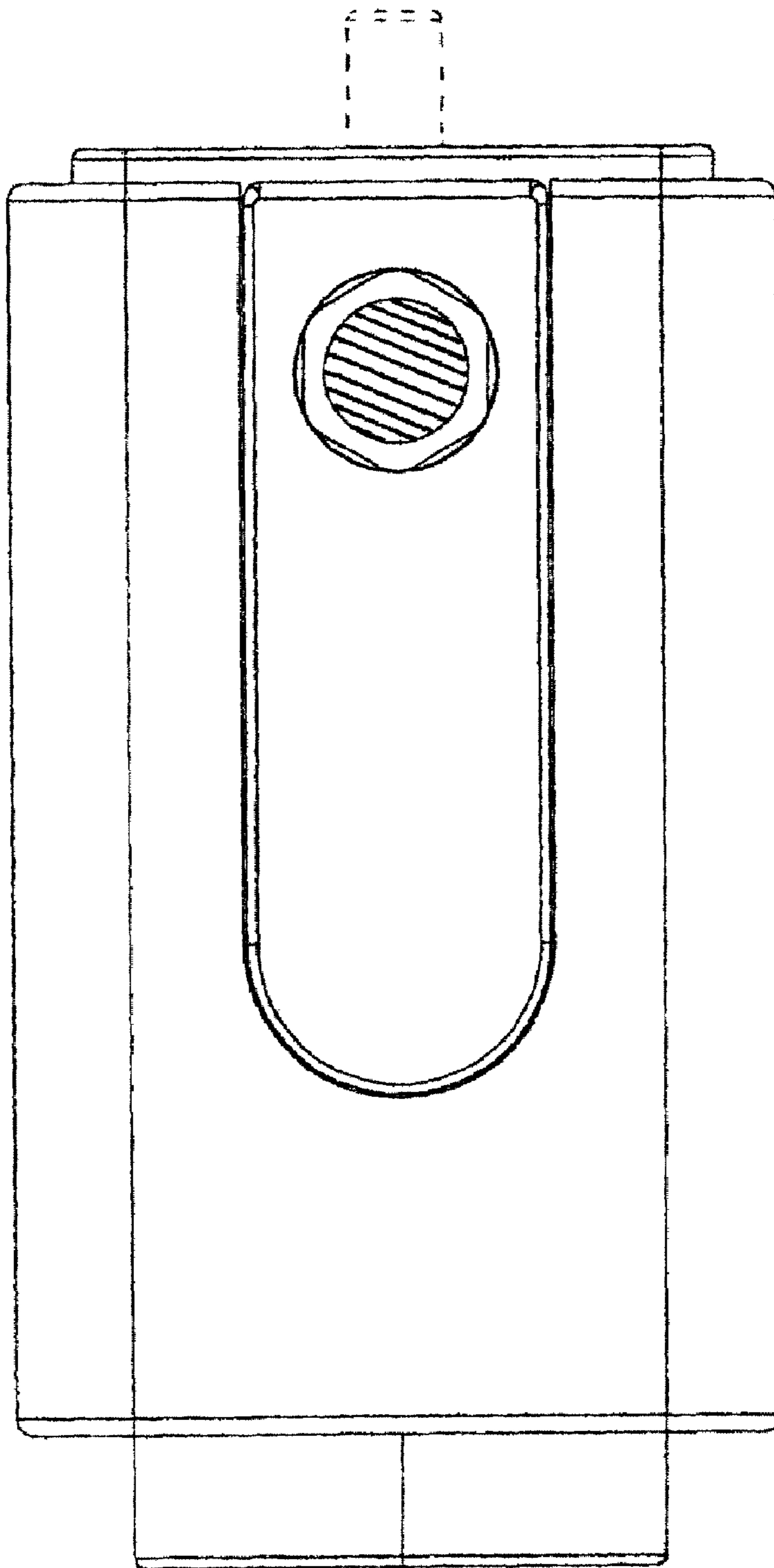


FIG. 4

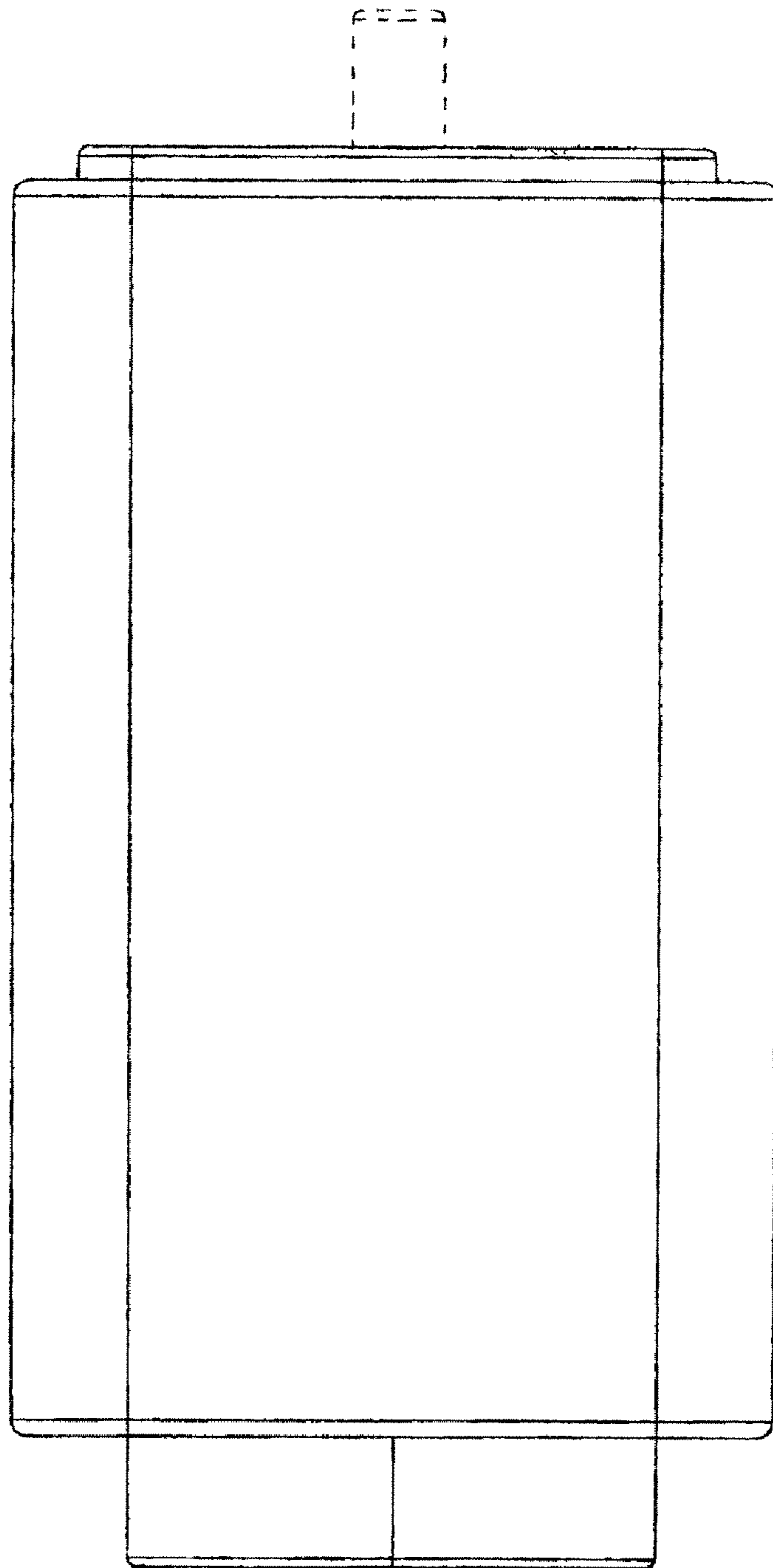


FIG. 5

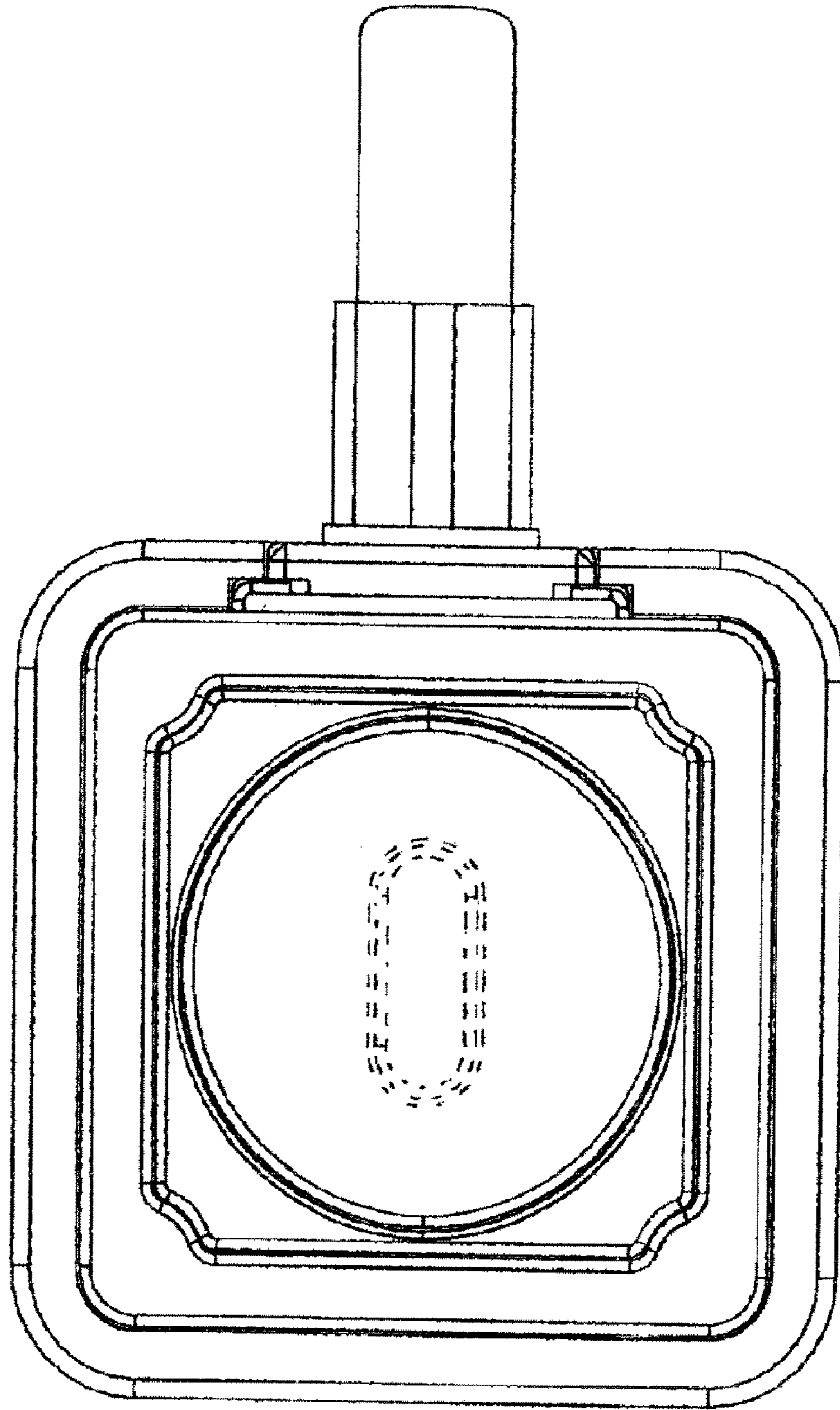


FIG. 6

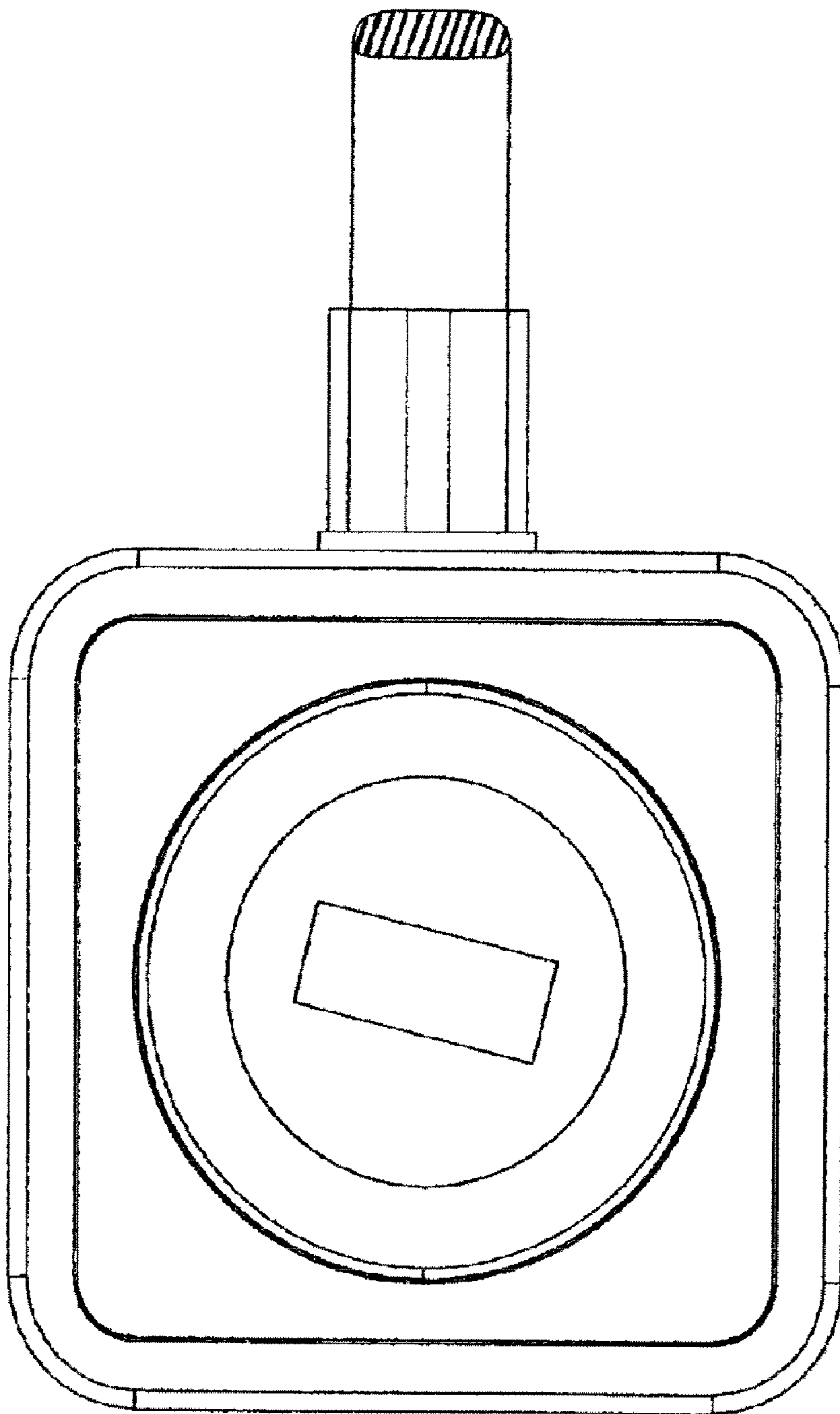


FIG. 7