



US00D588897S

(12) **United States Design Patent**
Ricereto

(10) **Patent No.:** **US D588,897 S**
(45) **Date of Patent:** **** Mar. 24, 2009**

- (54) **PULL**
- (75) Inventor: **Michael Hart Ricereto**, Baltimore, MD (US)
- (73) Assignee: **Newell Operating Company**, Atlanta, GA (US)
- (**) Term: **14 Years**
- (21) Appl. No.: **29/305,765**
- (22) Filed: **Mar. 27, 2008**
- (51) **LOC (9) Cl.** **08-06**
- (52) **U.S. Cl.** **D8/317**
- (58) **Field of Classification Search** D8/300, D8/302, 305, 311-321, DIG. 1, DIG. 2, DIG. 10; D7/393, 394; D3/318; D6/549, 524, 533, D6/550; D23/250-254, 303, 305; D15/89; 292/347, 336.3; 211/16, 182; 220/752-754; 16/441, 118, 110 R, 111 R, DIG. 19, DIG. 30, 16/110.1, 412, 414-420, 443-446
See application file for complete search history.

- D530,590 S 10/2006 Singtoroj et al.
- D540,090 S 4/2007 Chen
- D542,118 S 5/2007 Fields
- D543,436 S 5/2007 Ricereto
- D563,759 S 3/2008 Oliver et al.
- D564,856 S 3/2008 Ricereto
- D569,704 S 5/2008 Ricereto

* cited by examiner

Primary Examiner—Prabhakar Deshmukh
Assistant Examiner—Mark A Goodwin
(74) *Attorney, Agent, or Firm*—Banner & Witcoff, Ltd.

(57) **CLAIM**

I claim the ornamental design for a pull, as shown and described.

DESCRIPTION

FIG. 1 is a perspective view of a pull of the present claimed design;

FIG. 2 is a side view of the pull shown in FIG. 1, the opposite side view being identical thereto;

FIG. 3 is a top view of the pull shown in FIG. 1, the opposite bottom view being identical thereto;

FIG. 4 is a front view of the pull shown in FIG. 1;

FIG. 5 is a rear view of the pull shown in FIG. 1;

FIG. 6 is a perspective view of an alternative embodiment of a pull of the present claimed design;

FIG. 7 is a side view of the pull shown in FIG. 6, the opposite side view being identical thereto;

FIG. 8 is a top view of the pull shown in FIG. 6, the opposite bottom view being identical thereto;

FIG. 9 is a front view of the pull shown in FIG. 6; and,

FIG. 10 is a rear view of the pull shown in FIG. 6.

Features shown in broken lines in the drawings form no part of the claimed design.

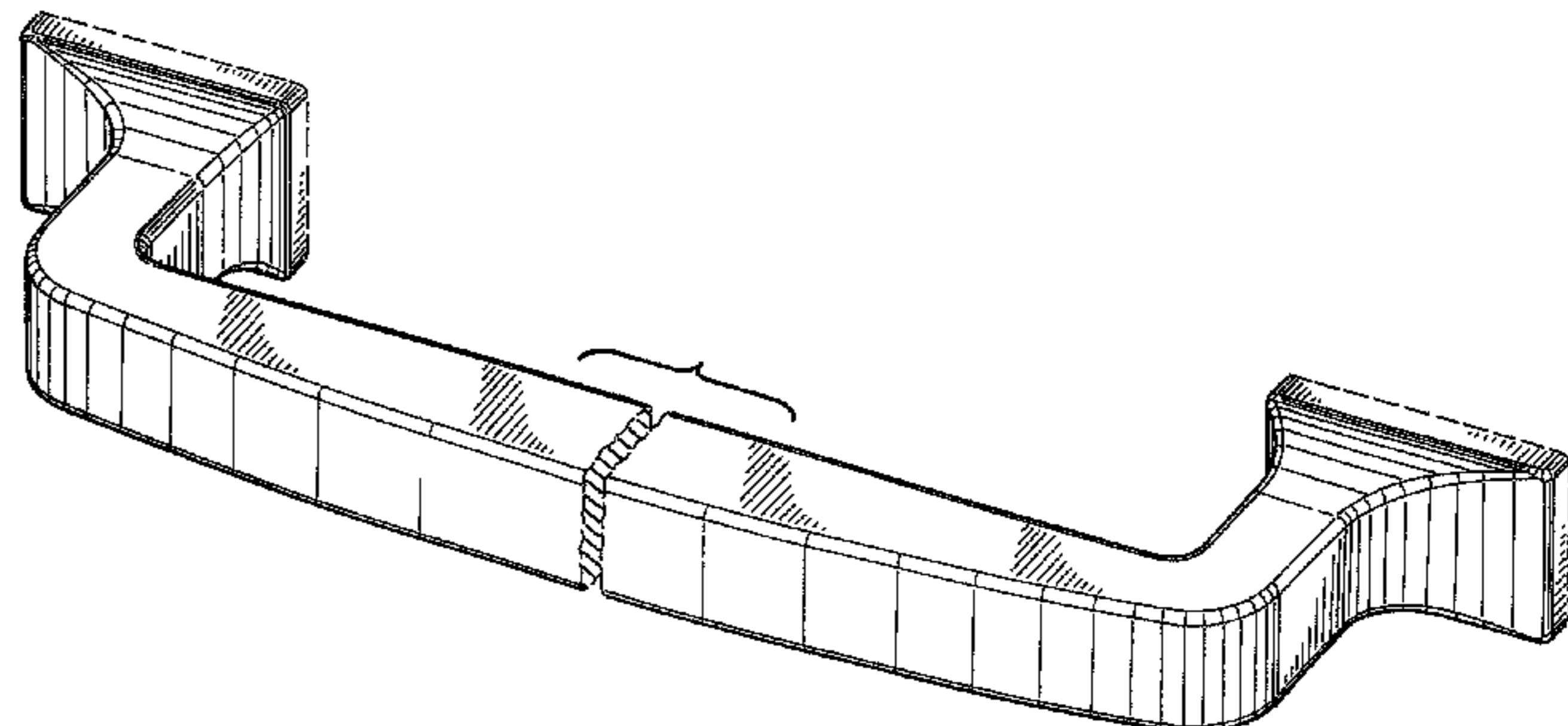
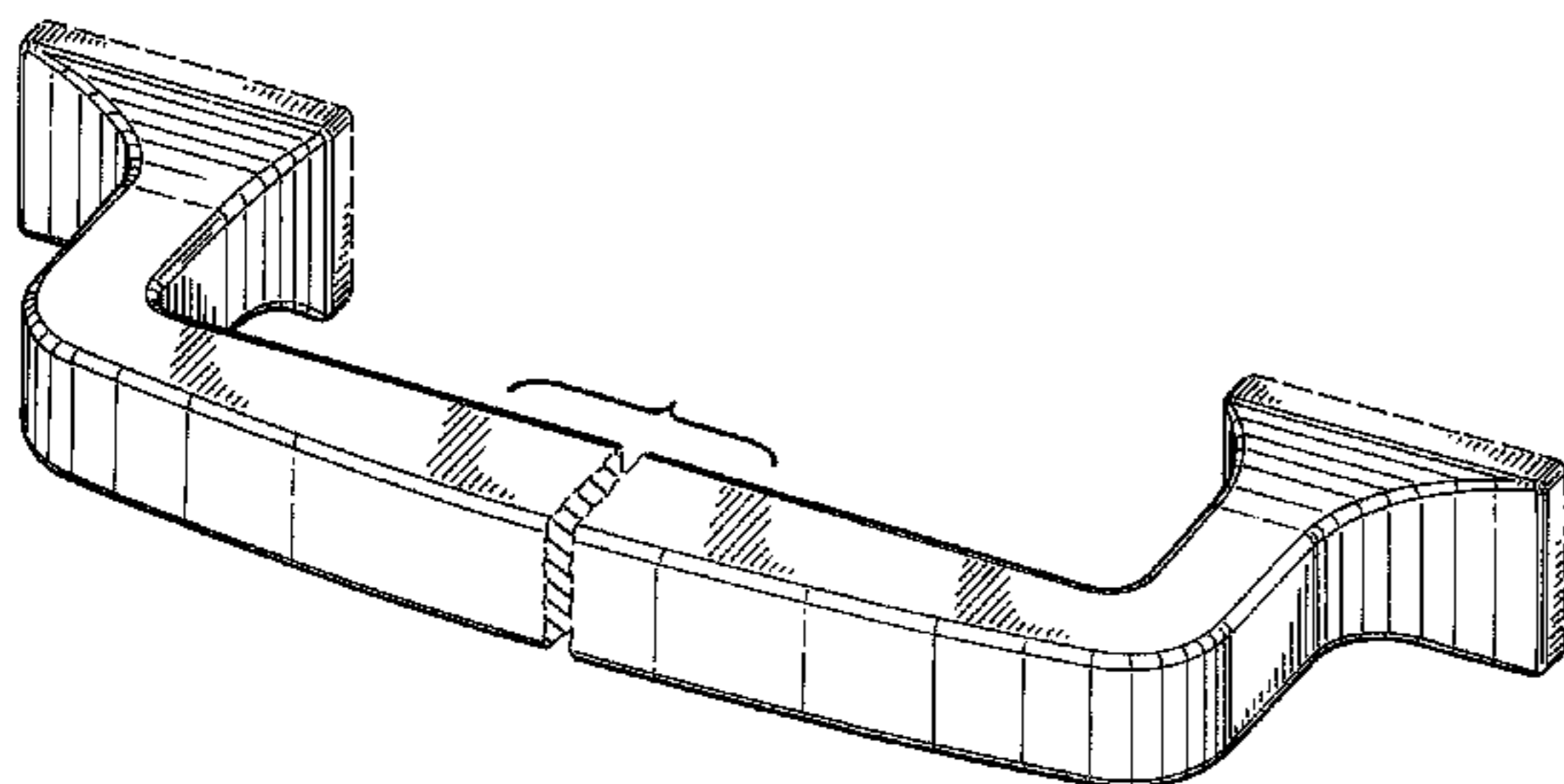
The broken away portion in FIGS. 1, 3-6 and 8-10 has been shown to indicate indeterminate length.

(56) **References Cited**

U.S. PATENT DOCUMENTS

- D100,034 S * 6/1936 McCormick D8/318
- D139,316 S 10/1944 Van Prooyen
- D169,414 S 4/1953 Budai
- D204,128 S * 3/1966 Clayton D8/317
- D219,702 S * 1/1971 Korol D8/316
- D222,232 S 10/1971 Horgan, Jr.
- D254,461 S 3/1980 Tegner
- D290,337 S * 6/1987 Savage D8/330
- D326,991 S * 6/1992 Bishop D8/317
- D327,196 S * 6/1992 Crook et al. D6/549
- D368,643 S * 4/1996 Sonnenleiter D8/317
- D368,644 S 4/1996 Bishop
- D388,272 S * 12/1997 Moore D6/549
- D399,406 S 10/1998 Decursu et al.
- D403,230 S 12/1998 Ziemer et al.
- D423,854 S 5/2000 Roth et al.
- D431,444 S 10/2000 Short
- D437,202 S * 2/2001 O'Neil D8/317
- D468,145 S 1/2003 Ouyoung
- D511,956 S * 11/2005 Elwell et al. D8/322
- D513,694 S * 1/2006 Vitkauskas D8/300

1 Claim, 4 Drawing Sheets



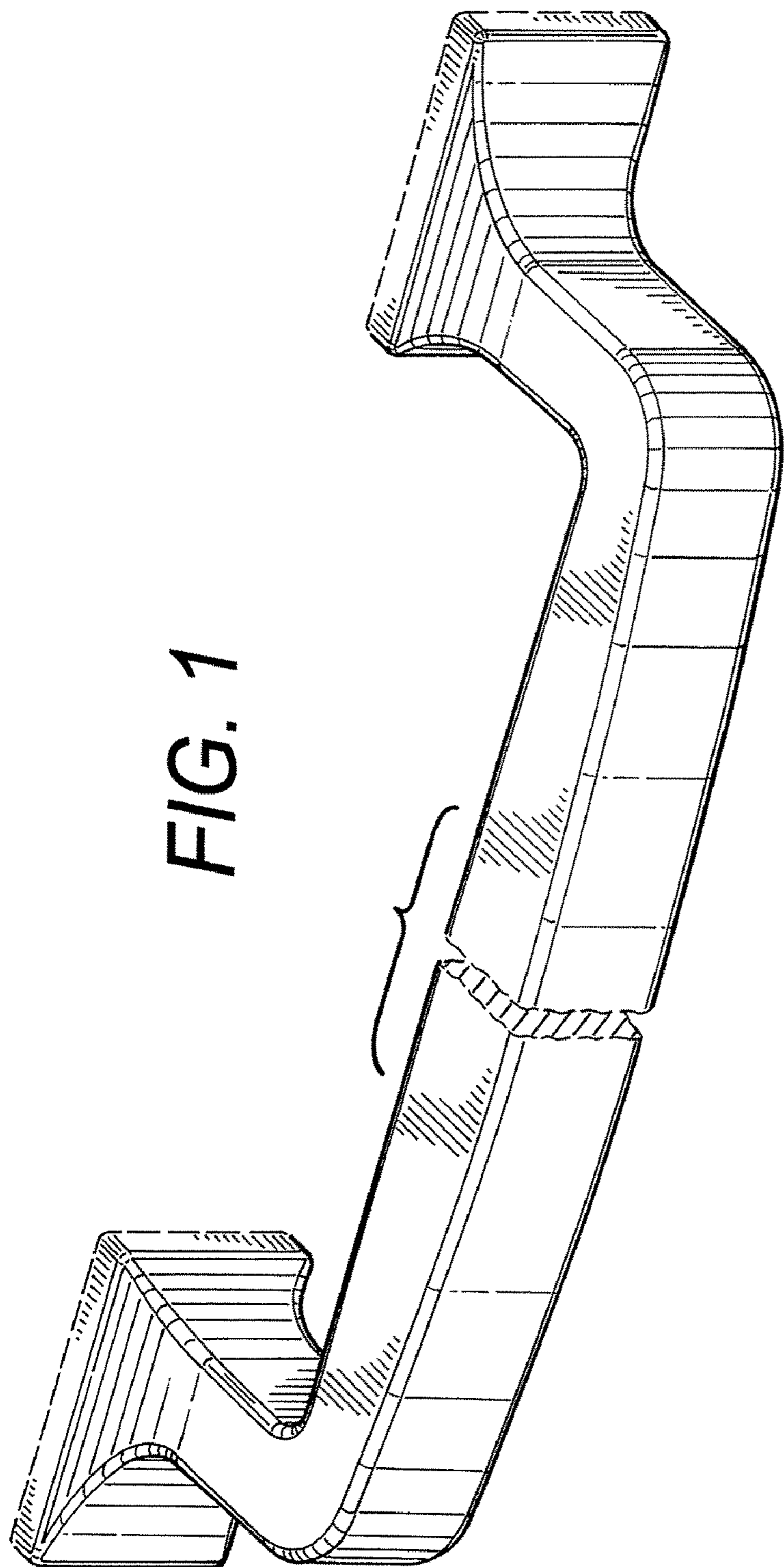
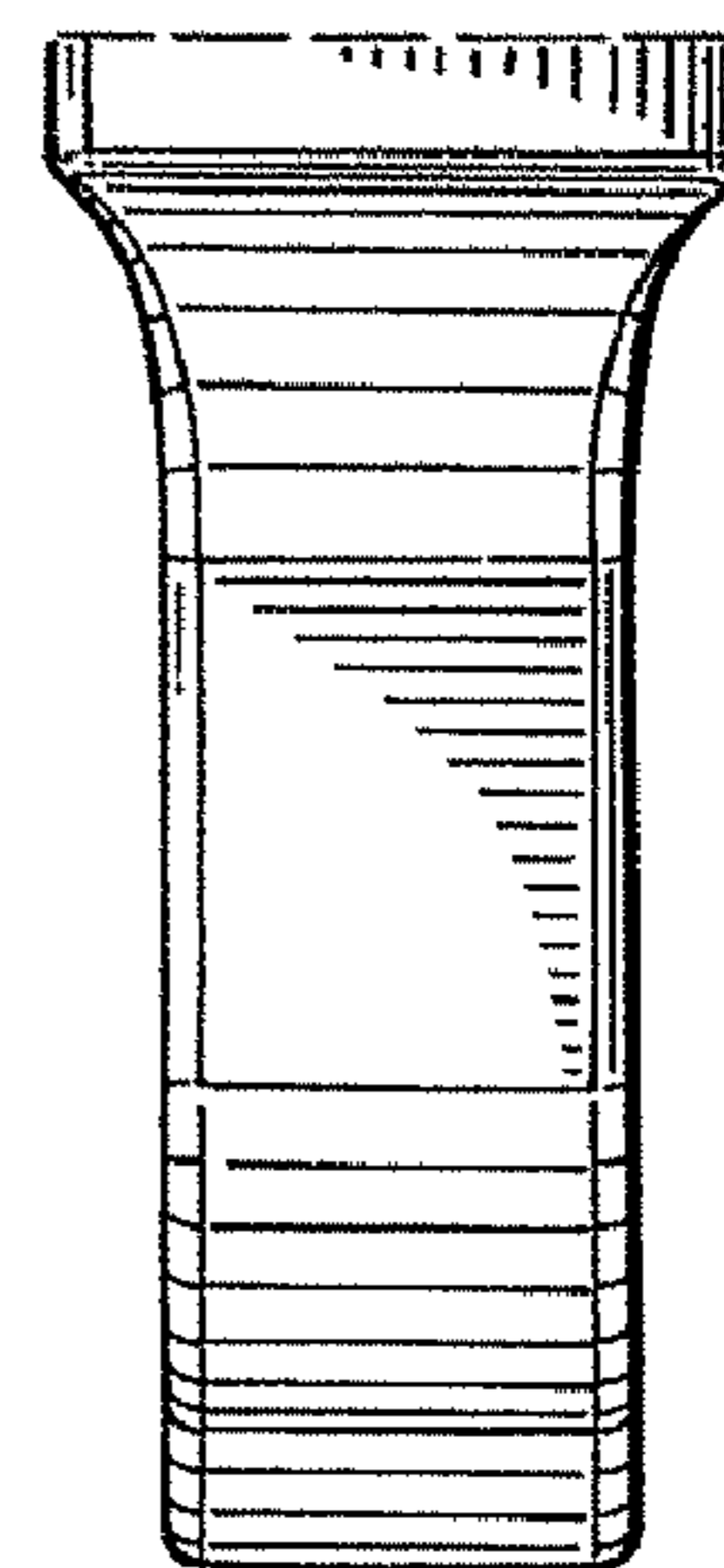


FIG. 2



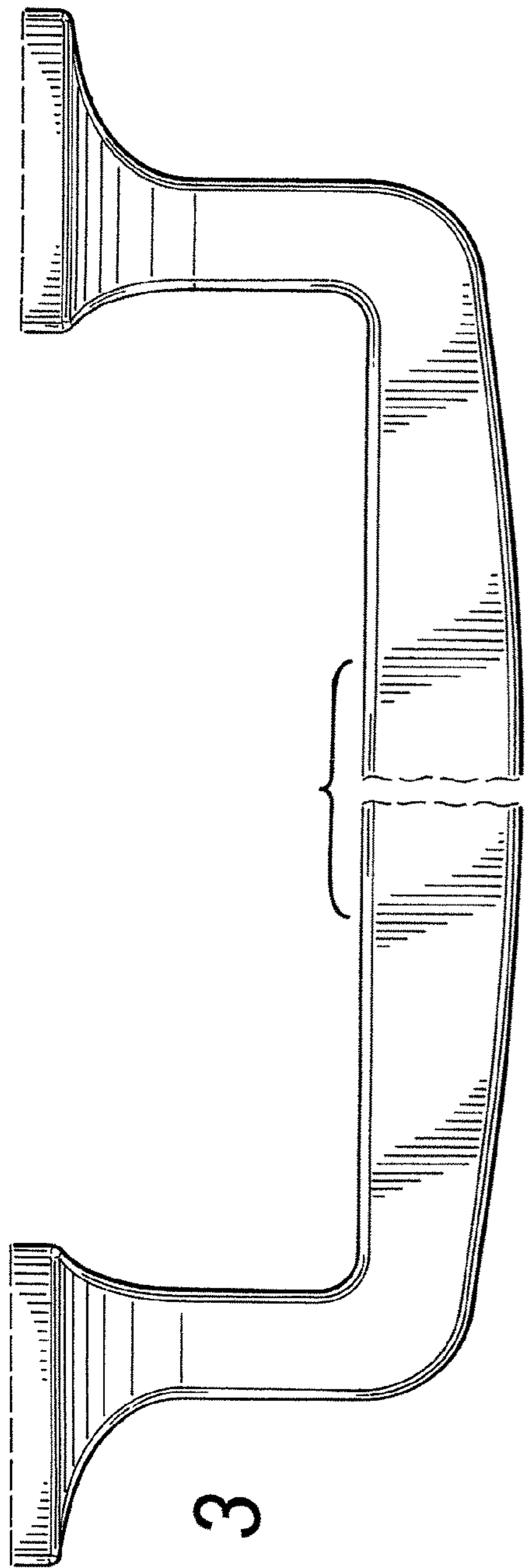


FIG. 3

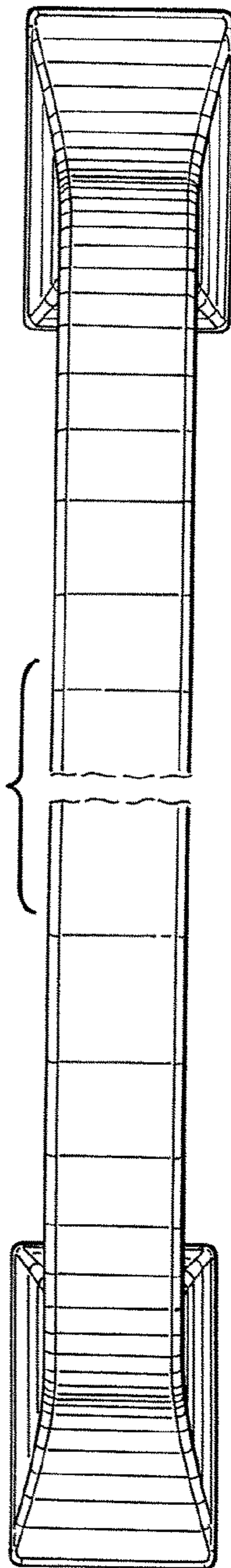


FIG. 4

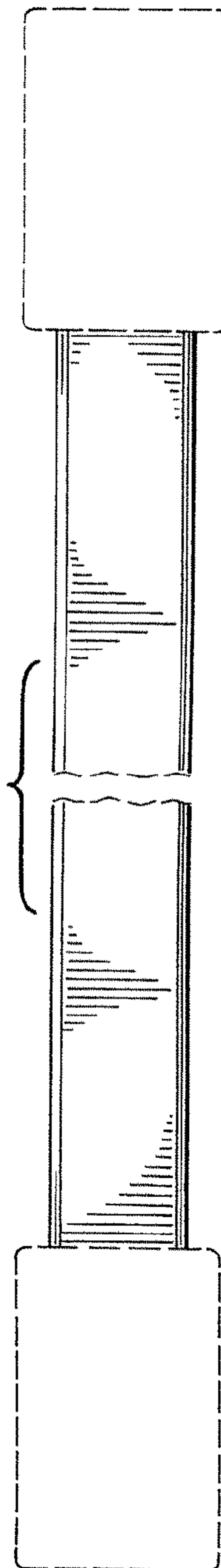


FIG. 5

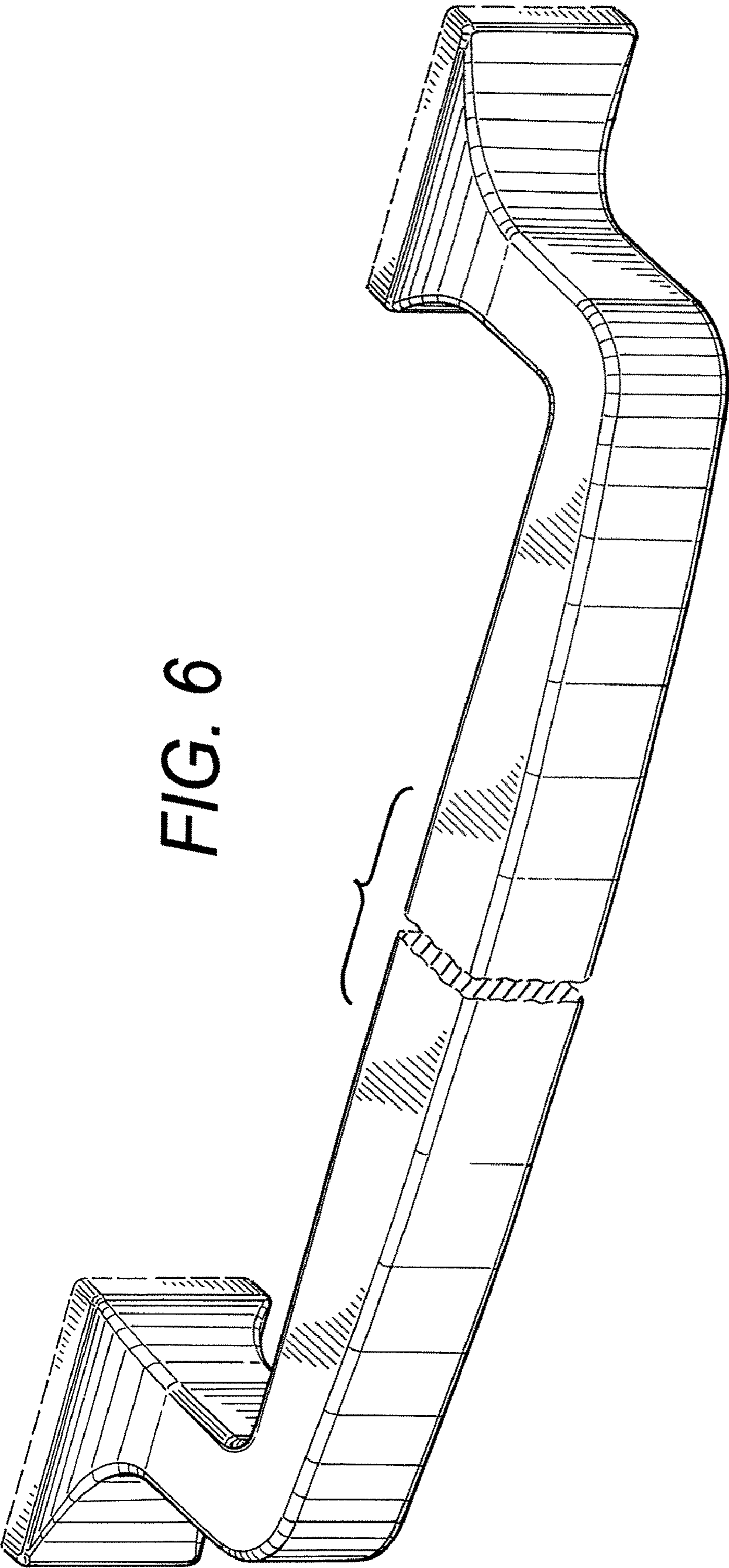


FIG. 6

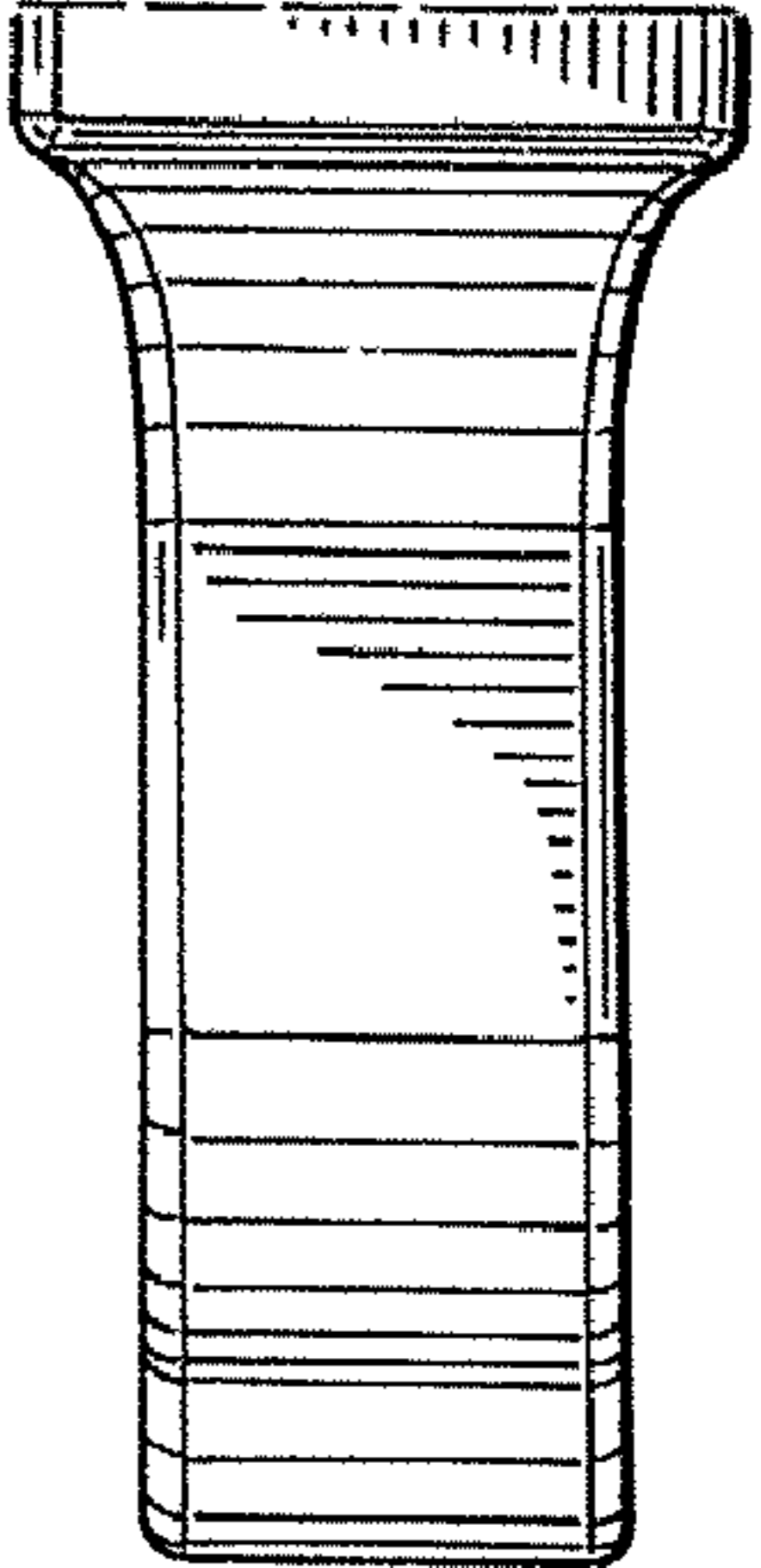


FIG. 7

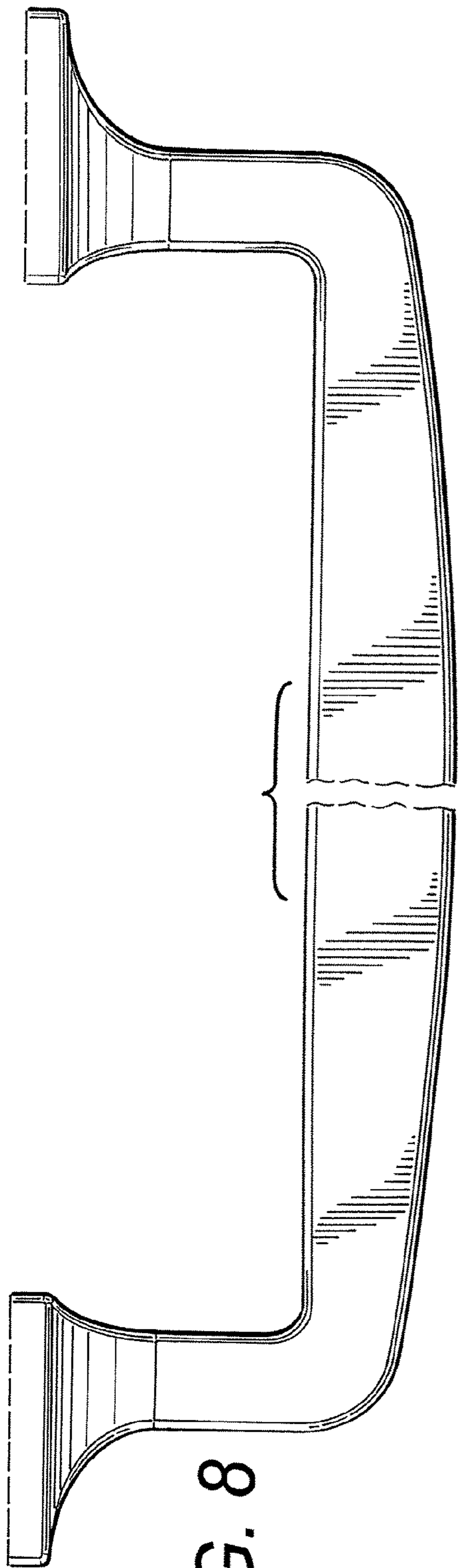


FIG. 8

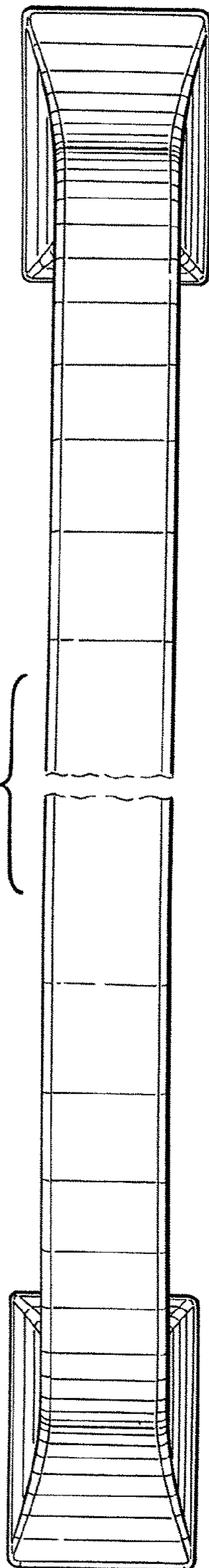


FIG. 9

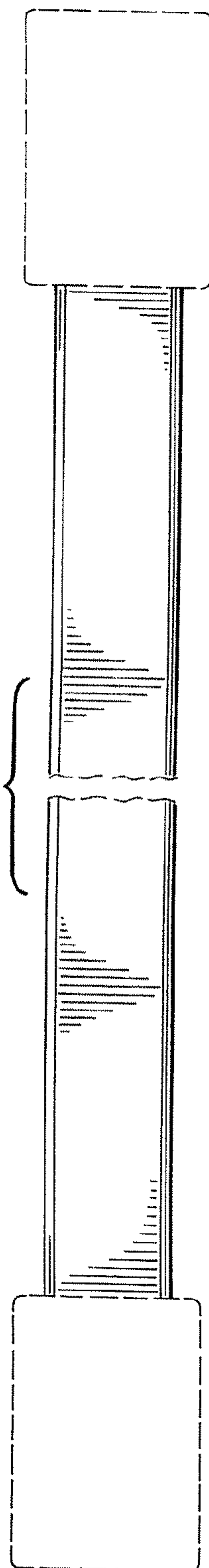


FIG. 10