



US00D588896S

(12) **United States Design Patent**
Ricereto

(10) **Patent No.:** **US D588,896 S**
(45) **Date of Patent:** **** Mar. 24, 2009**

(54) **KNOB**
(75) Inventor: **Michael Hart Ricereto**, Baltimore, MD
(US)
(73) Assignee: **Newell Operating Company**, Atlanta,
GA (US)
(**) Term: **14 Years**
(21) Appl. No.: **29/305,763**
(22) Filed: **Mar. 27, 2008**

(51) **LOC (9) Cl.** **08-06**
(52) **U.S. Cl.** **D8/307**
(58) **Field of Classification Search** D8/301,
D8/307, 310, 367, DIG. 1, DIG. 2; D23/250;
16/110.1, 243, 412, 414, 441, 433; 292/347,
292/337; D6/524; 74/548, 543
See application file for complete search history.

(56) **References Cited**
U.S. PATENT DOCUMENTS

1,079,121 A * 11/1913 Giese 49/503
D64,095 S * 2/1924 Yates D8/307
D98,440 S 2/1936 Martin
D121,558 S 7/1940 Borchers
D202,583 S * 10/1965 Ross D16/243
D203,147 S 12/1965 Kaiser
D203,148 S 12/1965 Kaiser
D204,461 S 4/1966 Volker et al.

D263,778 S * 4/1982 Thompson D8/367
D377,747 S 2/1997 De'Armond
D396,180 S 7/1998 Burns et al.
D506,378 S 6/2005 Coudurier
D542,622 S 5/2007 Ricereto
D543,088 S 5/2007 Ricereto
D570,184 S * 6/2008 Ricereto D8/307
D579,746 S * 11/2008 Krumpke D8/307

* cited by examiner

Primary Examiner—Paula Greene
(74) *Attorney, Agent, or Firm*—Banner & Witcoff, Ltd.

(57) **CLAIM**

I claim the ornamental design for a knob, as shown and described.

DESCRIPTION

FIG. 1 is a perspective view of a knob of the present claimed design;

FIG. 2 is a side view of the knob shown in FIG. 1, the opposite side view being identical thereto;

FIG. 3 is top view of the knob shown in FIG. 1, the opposite bottom view being identical thereto;

FIG. 4 is a front view of the knob shown in FIG. 1; and,

FIG. 5 is a rear view of the knob shown in FIG. 1.

Features shown in broken lines in the drawings form no part of the claimed design.

1 Claim, 2 Drawing Sheets

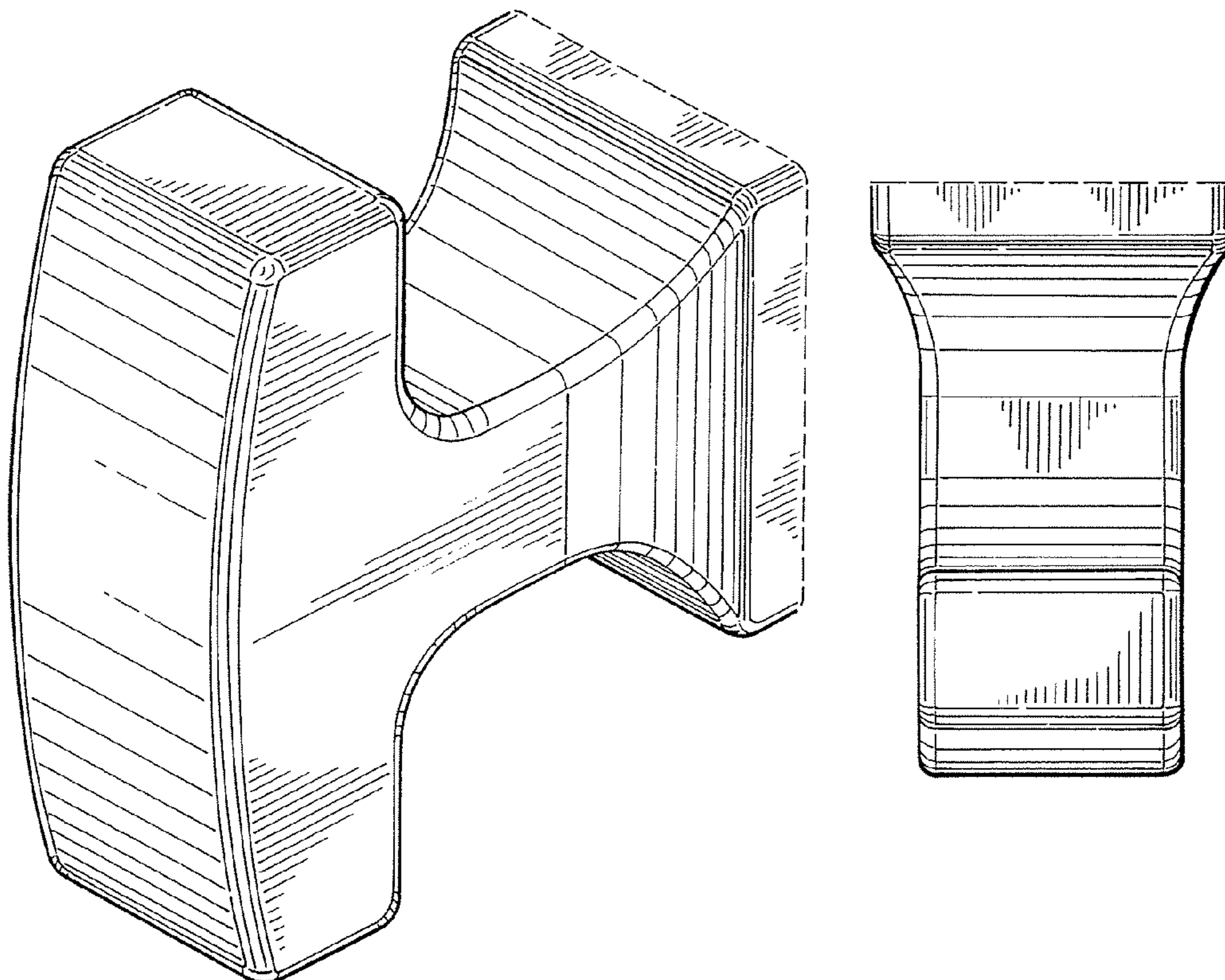


FIG. 1

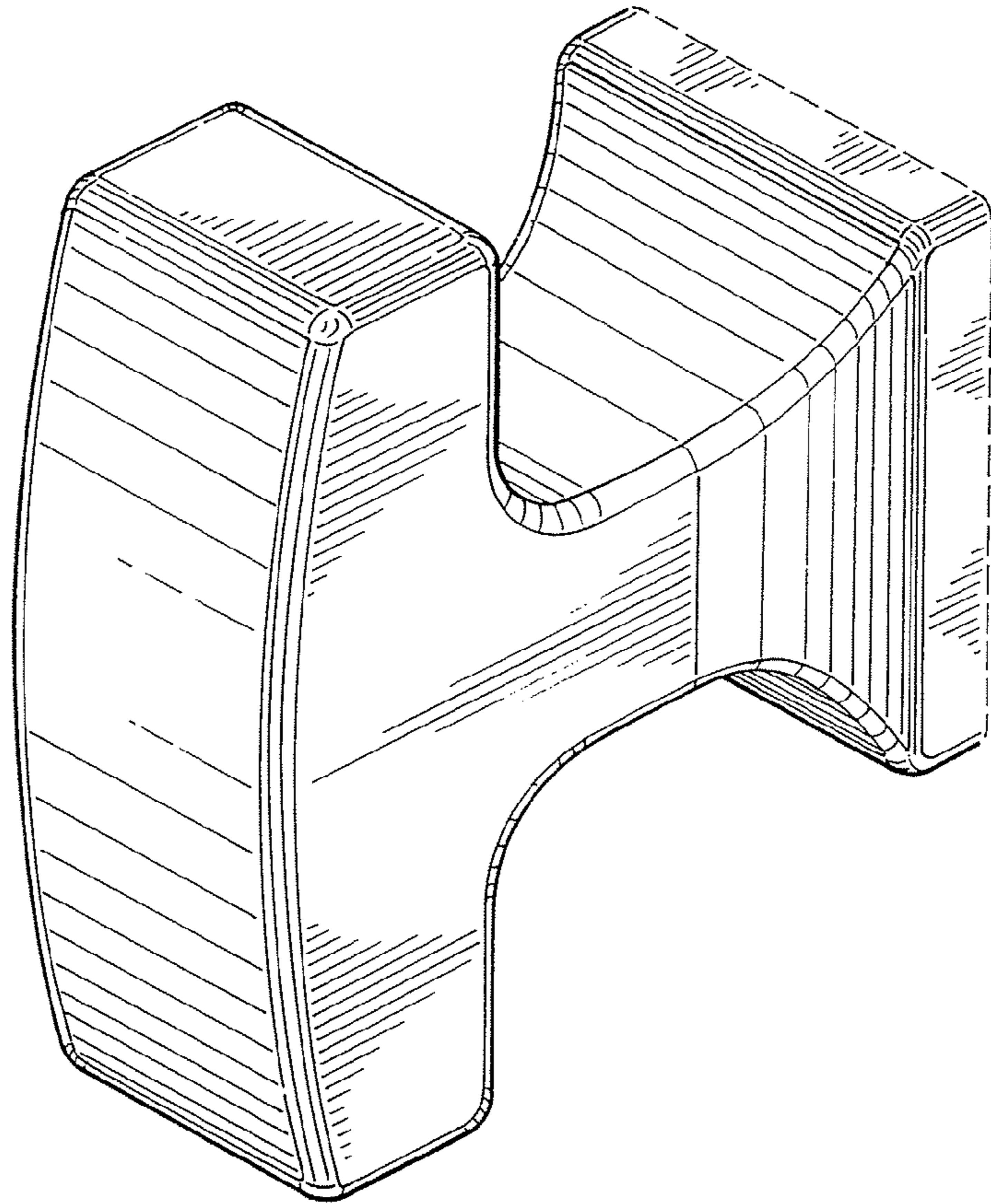


FIG. 2

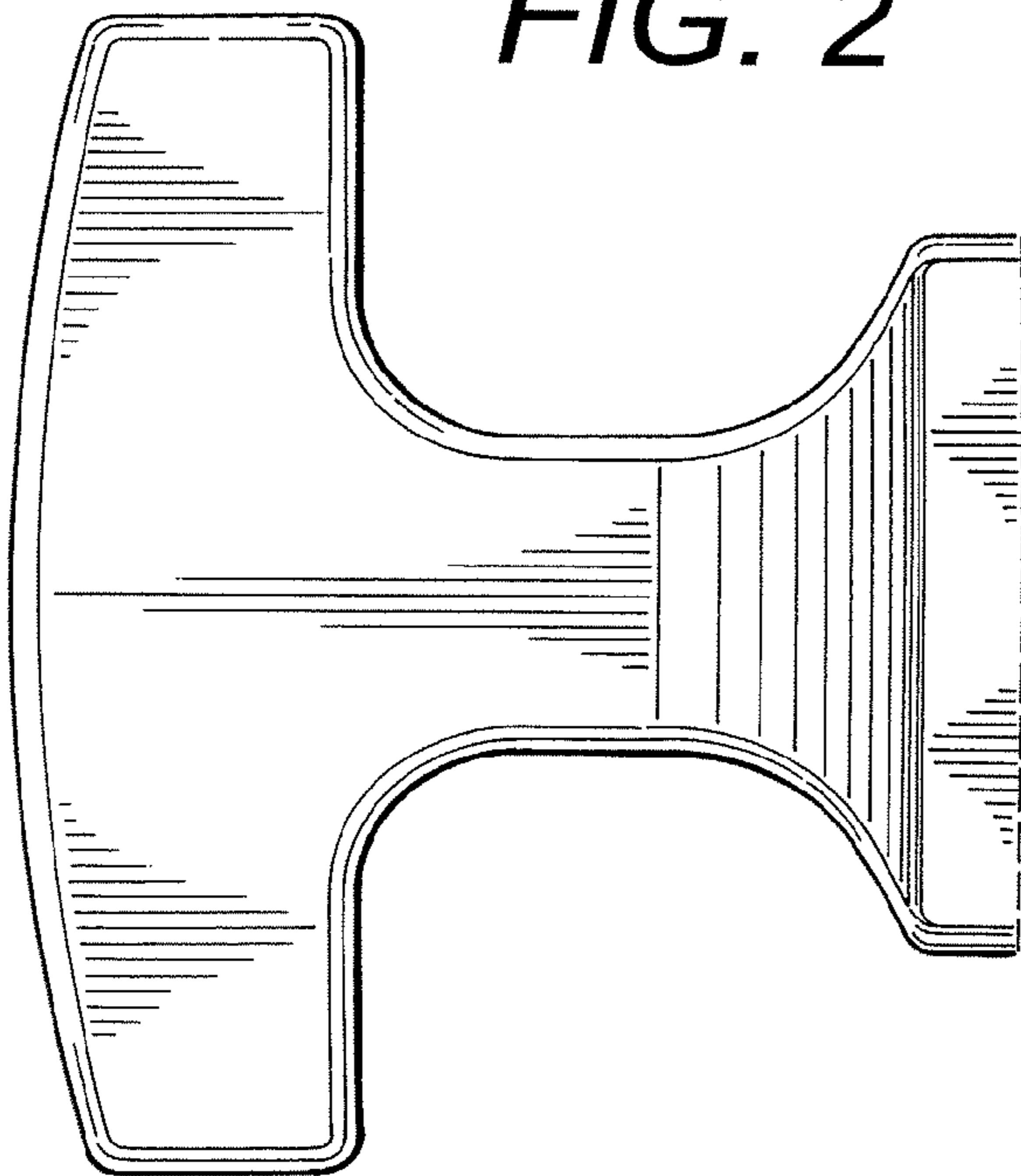


FIG. 3

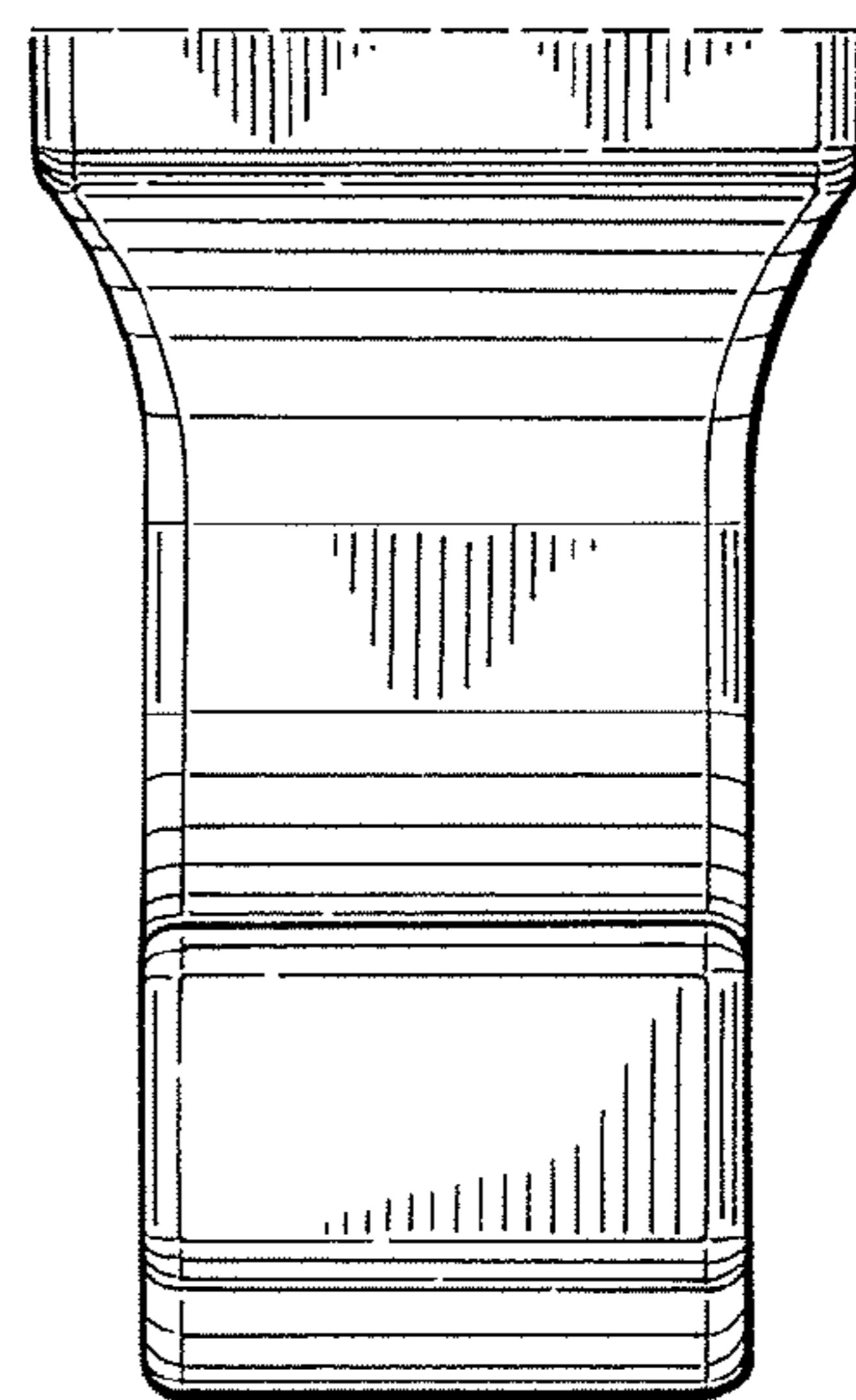


FIG. 4

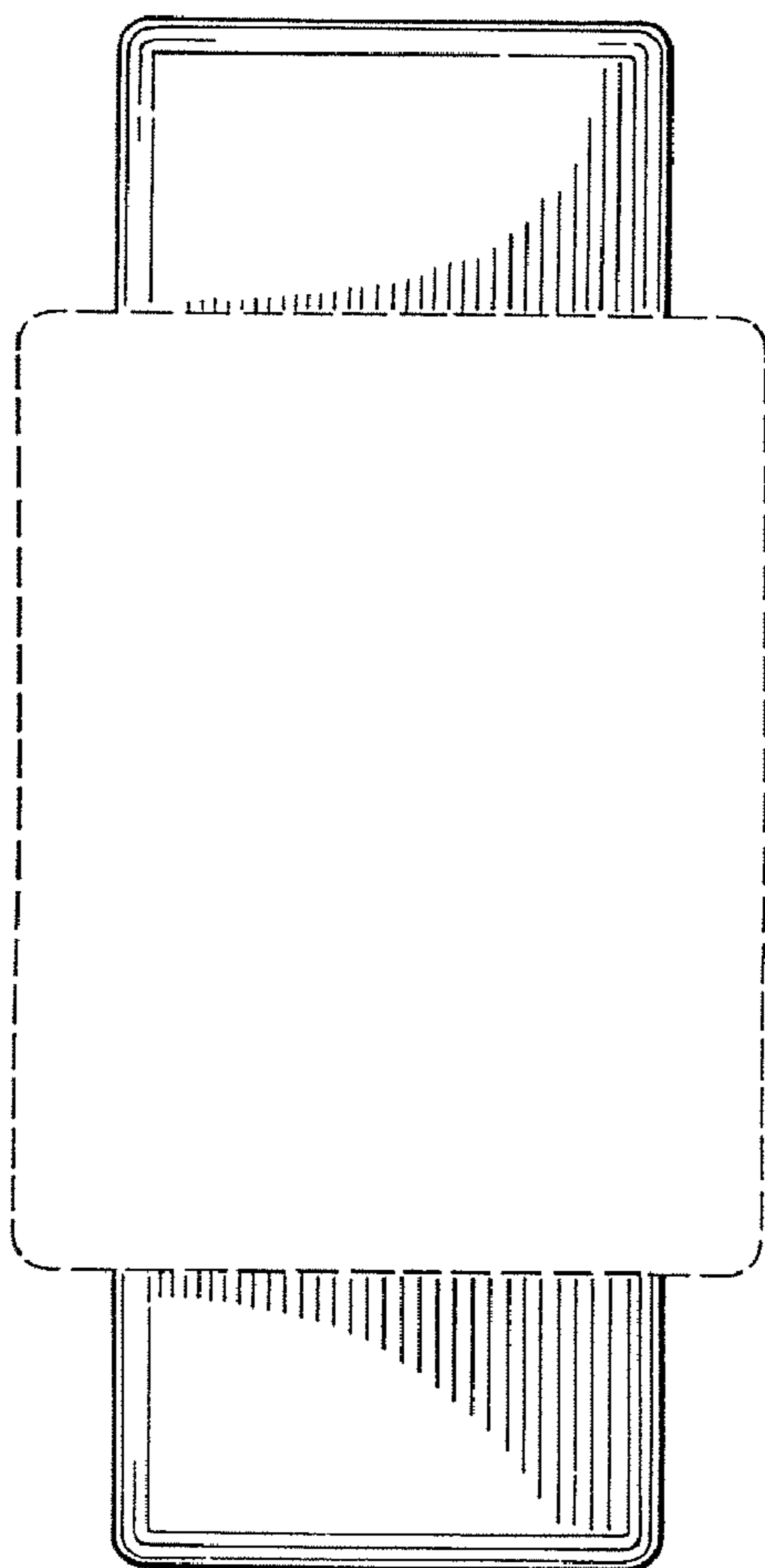
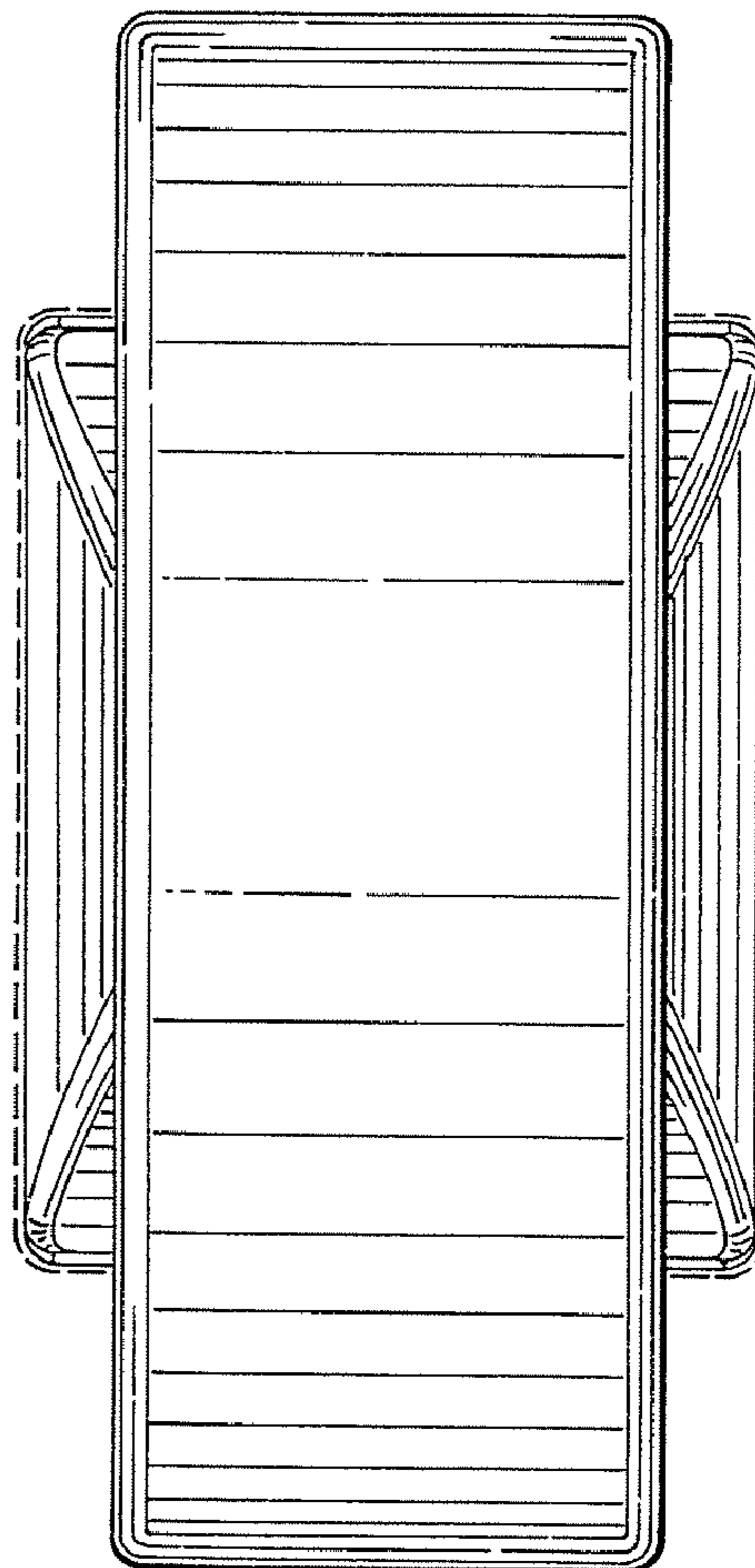


FIG. 5