



US00D588894S

(12) **United States Design Patent**
Chen

(10) **Patent No.:** **US D588,894 S**
(45) **Date of Patent:** **** Mar. 24, 2009**

(54) **HAMMER**

D572,106 S * 7/2008 Chen D8/89
D577,274 S * 9/2008 Chen D8/89

(76) Inventor: **Yung-Shou Chen**, No. 1, Alley 66, Lane 216, Gong Yeh Rd., Chung Ho Tsuen, Long-Ching Town, Taichung Hsien (TW)

* cited by examiner

Primary Examiner—Philip S Hyder
(74) *Attorney, Agent, or Firm*—Pai Patent & Trademark Law Firm; Chao-Chang David Pai

(**) Term: **14 Years**

(21) Appl. No.: **29/308,851**

(57) **CLAIM**

(22) Filed: **Jul. 11, 2008**

The ornamental design for a hammer, as shown and described.

(51) **LOC (9) Cl.** **08-02**

(52) **U.S. Cl.** **D8/89; D8/81**

(58) **Field of Classification Search** D8/75,
D8/78, 81, 88, 89, 105, 14; 7/166, 146, 147,
7/143; 254/21, 25, 120, 131

See application file for complete search history.

DESCRIPTION

FIG. 1 is a right perspective view of a hammer, showing my new design;

FIG. 2 is a front elevational view thereof;

FIG. 3 is a rear elevational view thereof;

FIG. 4 is a left side elevational view thereof;

FIG. 5 is a right side elevational view thereof;

FIG. 6 is a top plan view thereof; and,

FIG. 7 is a bottom plan view thereof.

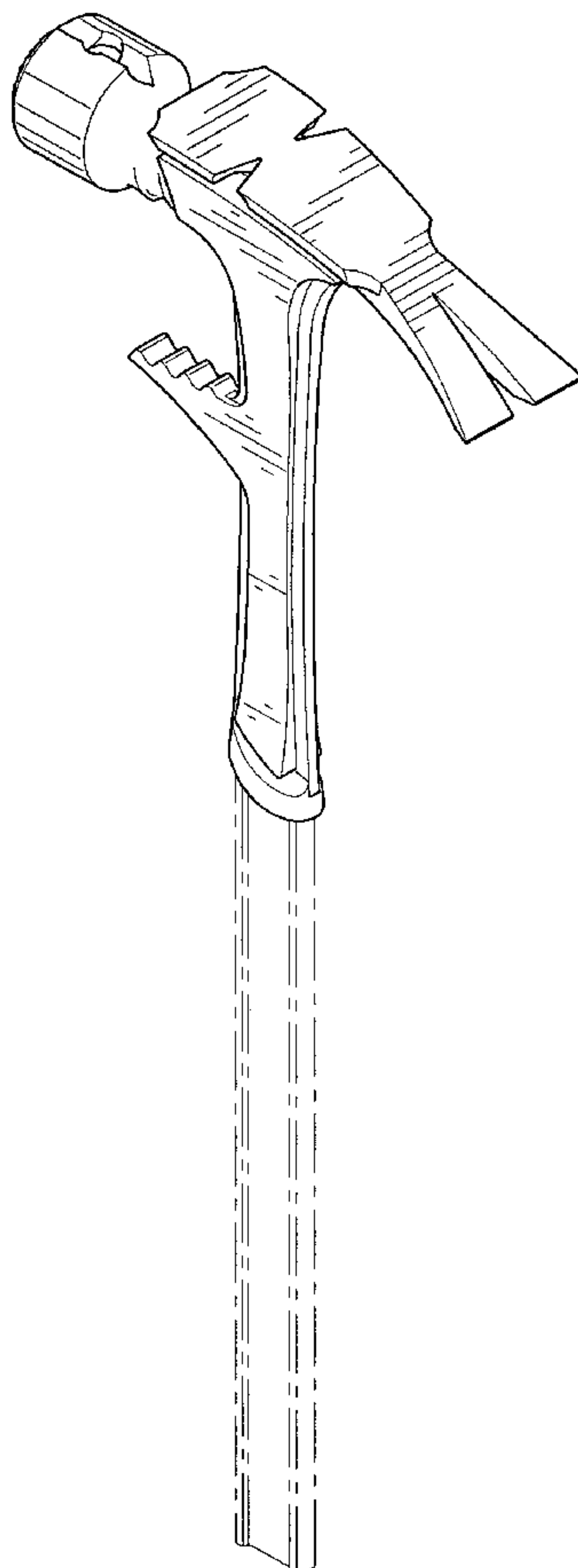
The handle in FIG. 1 is shown in broken lines for illustrative purposes only and forms no part of the claimed design.

(56) **References Cited**

U.S. PATENT DOCUMENTS

D291,402	S	*	8/1987	Square	D8/75
5,850,650	A	*	12/1998	Karsnia	7/146
D422,860	S	*	4/2000	Vinar	D8/40
D507,167	S	*	7/2005	Richardson	D8/81
D525,506	S	*	7/2006	Downing, Jr.	D8/78
D562,101	S	*	2/2008	Martone et al.	D8/89
D567,620	S	*	4/2008	Martone et al.	D8/81

1 Claim, 5 Drawing Sheets



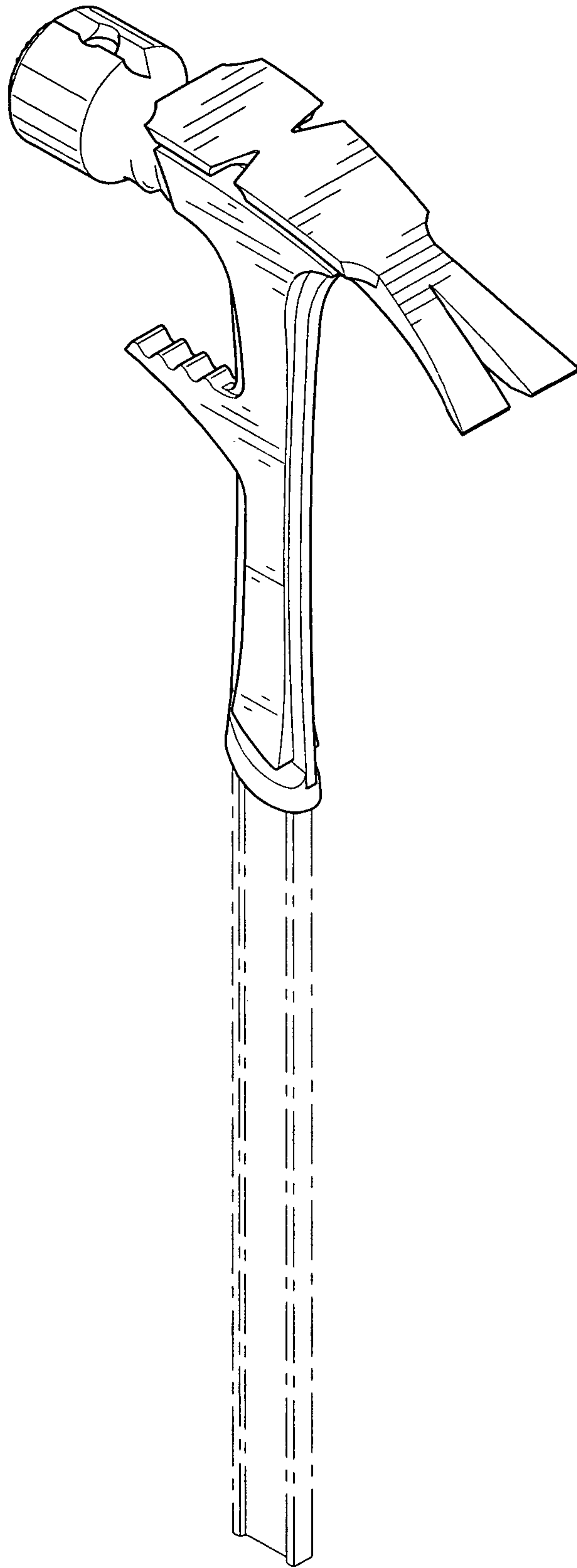


FIG. 1

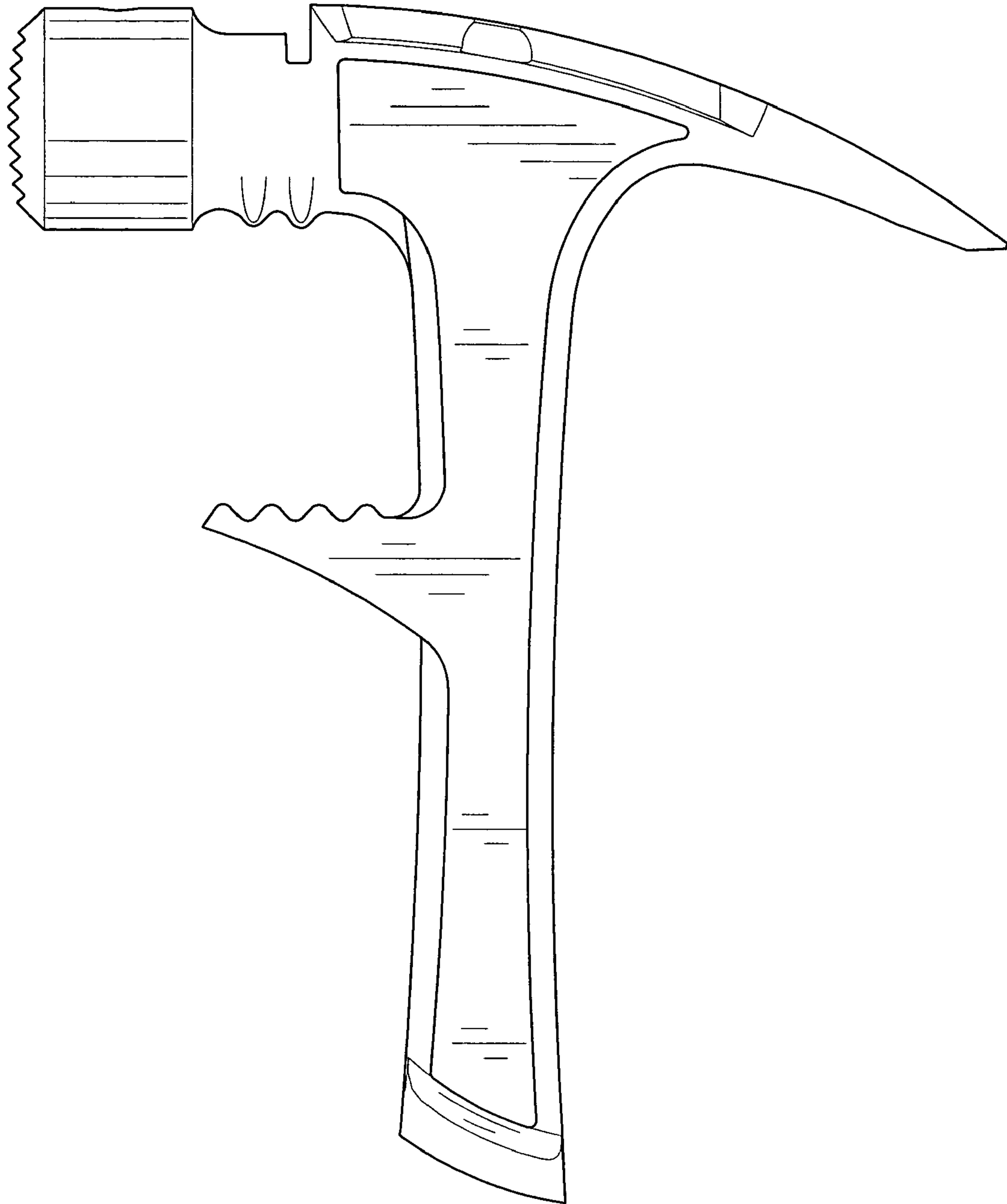


FIG. 2

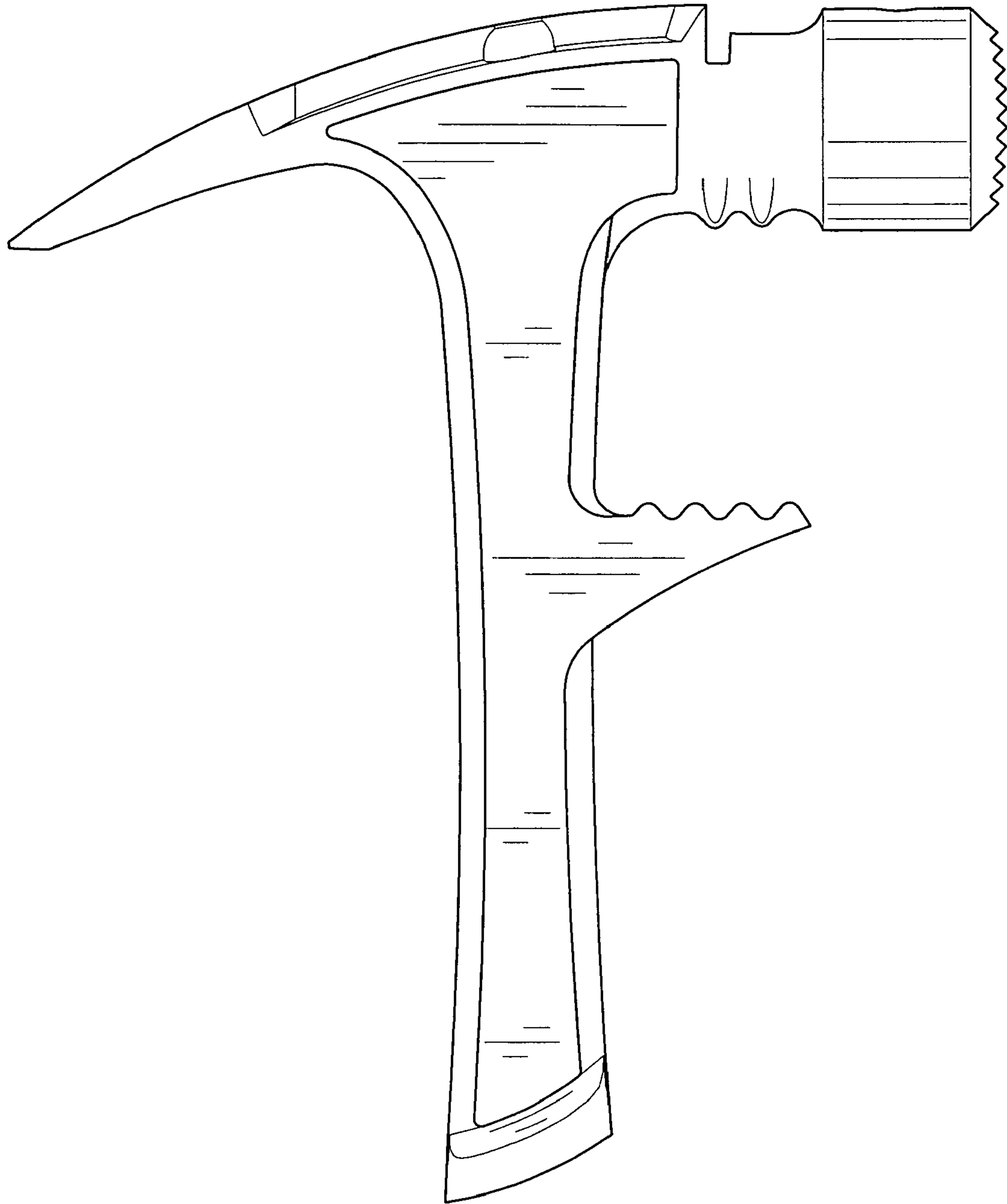


FIG. 3

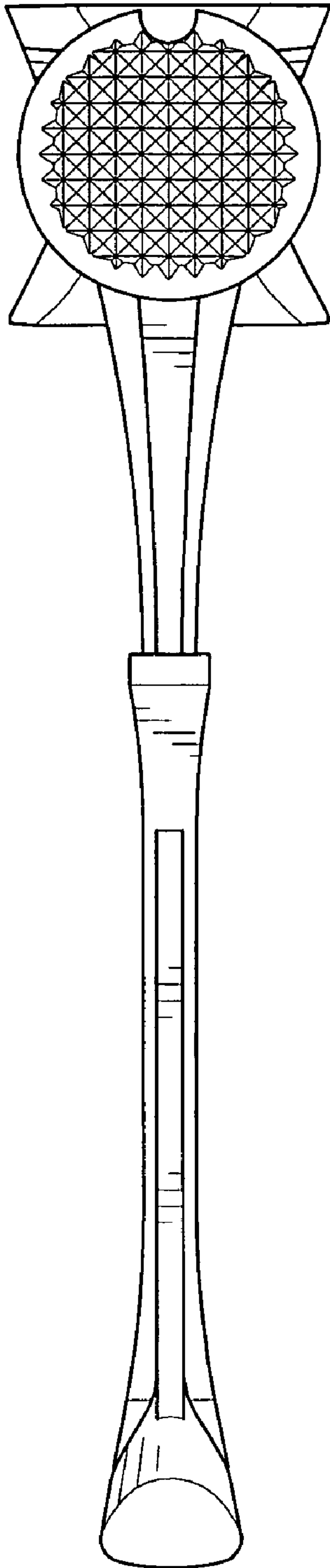


FIG. 4

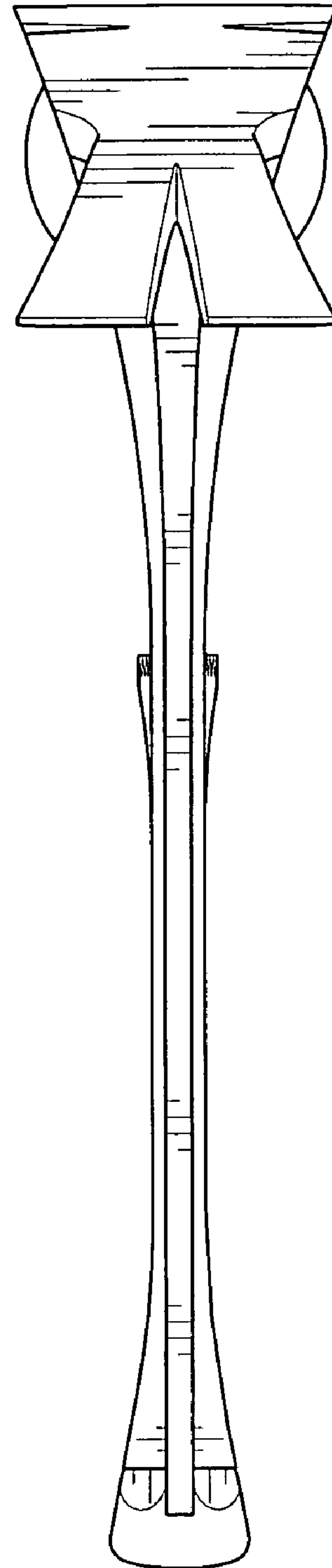


FIG. 5

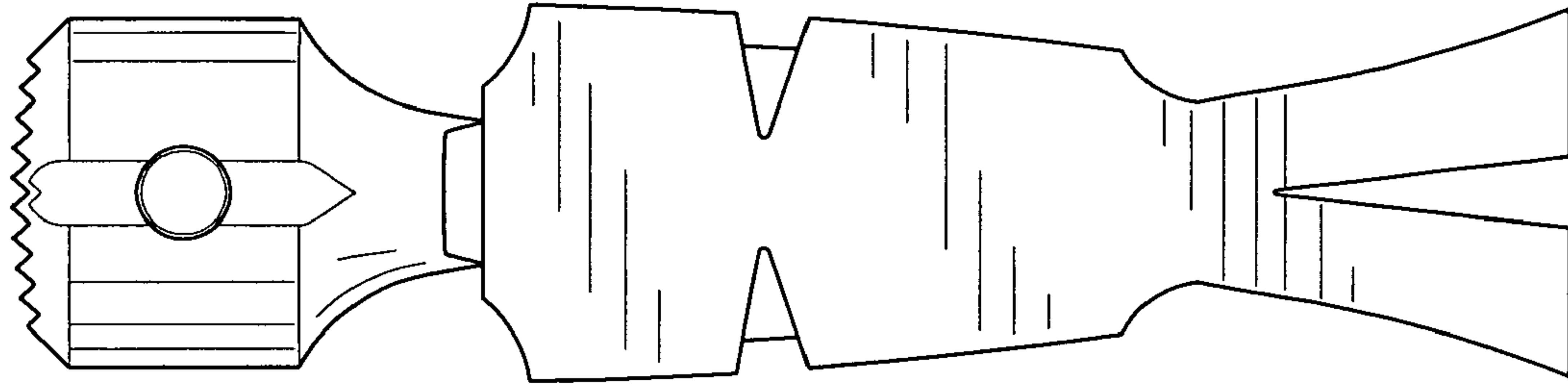


FIG. 6

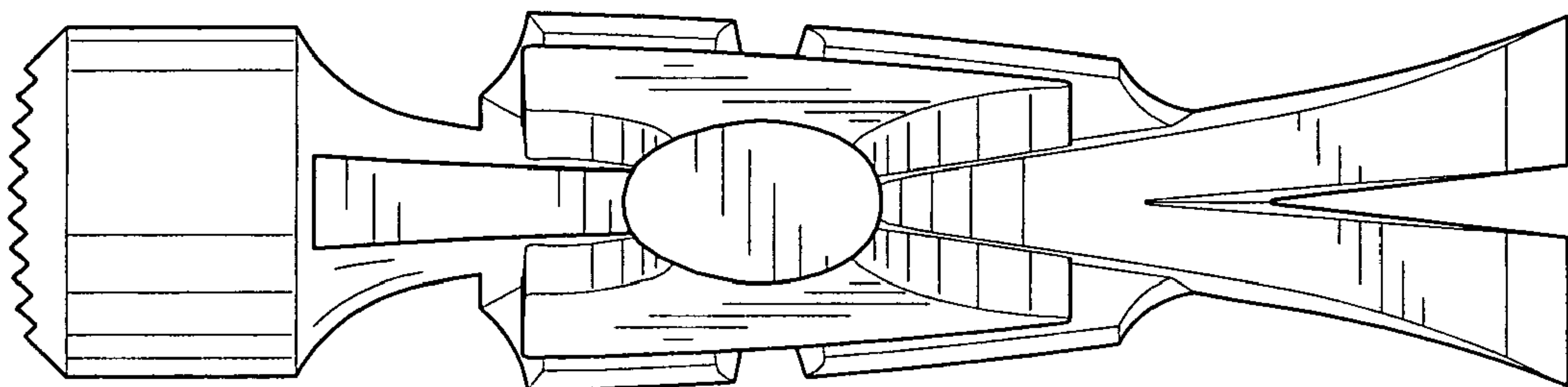


FIG. 7