



US00D588893S

(12) **United States Design Patent**  
**Radich**

(10) **Patent No.:** **US D588,893 S**  
(45) **Date of Patent:** **\*\* Mar. 24, 2009**

(54) **DRILL SHROUD**

(76) Inventor: **Gregory John Radich**, 34 Packer Street,  
Beckenham, Western Australia (AU)  
6107

(\*\*) Term: **14 Years**

(21) Appl. No.: **29/279,556**

(22) Filed: **May 3, 2007**

(30) **Foreign Application Priority Data**

Feb. 5, 2007 (AU) ..... 16301/2007

(51) **LOC (9) Cl.** ..... **08-05**

(52) **U.S. Cl.** ..... **D8/70**

(58) **Field of Classification Search** ..... D8/61-71,  
D8/90, 363; D15/124-126, 138-140; D12/207,  
D12/223; 83/665; 451/41, 47, 56, 324, 342,  
451/347-349, 357-360, 364, 388, 406, 420-423,  
451/451, 547-549

See application file for complete search history.

(56) **References Cited**

**U.S. PATENT DOCUMENTS**

- 2,702,181 A \* 2/1955 Brown et al. .... 175/209
- 2,792,199 A \* 5/1957 Becker et al. .... 175/211
- 2,831,334 A \* 4/1958 Karle ..... 68/213
- 2,907,146 A \* 10/1959 Dyar ..... 451/529
- 3,190,619 A \* 6/1965 Knittel et al. .... 366/129
- 3,339,435 A \* 9/1967 Heitz ..... 408/67
- 3,575,318 A \* 4/1971 Kunz ..... 222/79
- 3,583,821 A \* 6/1971 Shaub et al. .... 408/72 R
- D221,048 S \* 7/1971 Bixby ..... D8/70
- D225,715 S \* 1/1973 McCord ..... D8/71
- 3,793,892 A \* 2/1974 Liebig et al. .... 74/18.2
- 3,934,661 A 1/1976 Sauerwein
- 3,936,213 A \* 2/1976 Kappel ..... 408/67

- D245,789 S \* 9/1977 Shea et al. .... D24/146
- 4,205,728 A \* 6/1980 Gloor et al. .... 175/209
- 4,251,171 A 2/1981 Brett
- D260,597 S \* 9/1981 Mathuda ..... D8/14.1
- 4,848,980 A 7/1989 Broussard
- 4,921,375 A \* 5/1990 Famulari ..... 408/67
- 4,955,984 A 9/1990 Cuevas
- 5,002,193 A \* 3/1991 Touzani ..... 215/396
- 5,044,471 A \* 9/1991 Machek ..... 184/105.2
- 5,061,123 A 10/1991 Broussard

(Continued)

**FOREIGN PATENT DOCUMENTS**

AU 2006100363 6/2006

(Continued)

*Primary Examiner*—T. Chase Nelson

*Assistant Examiner*—Karen Acker

(74) *Attorney, Agent, or Firm*—Sturm & Fix LLP

(57) **CLAIM**

The ornamental design for a drill shroud, as shown and described.

**DESCRIPTION**

FIG. 1 is a perspective view from above of the drill shroud, showing my new design;

FIG. 2 is an exploded perspective view of the drill shroud;

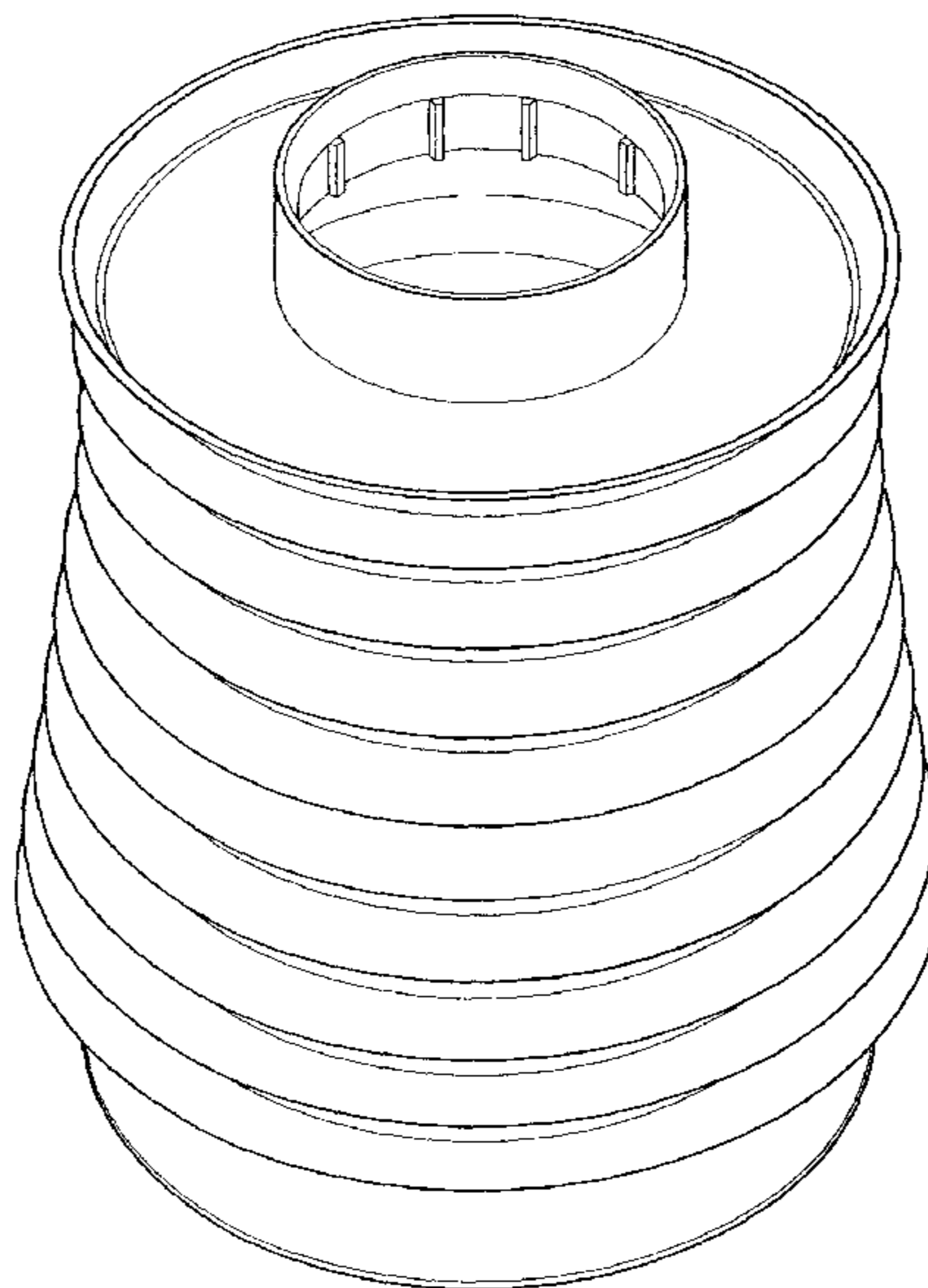
FIG. 3 is a perspective view of the drill shroud looking from below;

FIG. 4 is a side elevational view of the drill shroud, the opposite side elevational view being the same as the side shown;

FIG. 5 is a top plan view of the drill shroud; and,

FIG. 6 is a bottom plan view of the drill shroud.

**1 Claim, 5 Drawing Sheets**



# US D588,893 S

Page 2

## U.S. PATENT DOCUMENTS

5,160,230 A 11/1992 Cuevas  
5,292,210 A 3/1994 Nowick  
5,407,093 A \* 4/1995 McGill ..... 220/666  
5,419,663 A 5/1995 Psomas  
D370,388 S \* 6/1996 Cusick et al. .... D7/512  
5,584,413 A \* 12/1996 Jung ..... 220/666  
5,653,561 A 8/1997 May  
D392,531 S \* 3/1998 Richardson ..... D8/70  
5,765,654 A 6/1998 Burger  
5,945,076 A \* 8/1999 Leonard et al. .... 422/300  
6,071,184 A \* 6/2000 Anderson, III ..... 451/398  
6,079,078 A \* 6/2000 Byington ..... 15/339  
D429,630 S \* 8/2000 Knight et al. .... D9/683  
6,105,815 A \* 8/2000 Mazda ..... 220/666  
6,447,387 B1 \* 9/2002 Tseng ..... 451/456  
D497,300 S \* 10/2004 Chen ..... D8/85  
6,813,808 B2 \* 11/2004 Nguyen et al. .... 15/352  
6,830,113 B2 \* 12/2004 Moore et al. .... 173/198  
6,979,254 B1 \* 12/2005 Huber ..... 451/357  
D542,313 S \* 5/2007 Skradski et al. .... D15/138  
D543,563 S \* 5/2007 Skradski et al. .... D15/138

D544,819 S \* 6/2007 Miller ..... D12/180  
2007/0243031 A1 \* 10/2007 Yun ..... 408/67

## FOREIGN PATENT DOCUMENTS

DD 234814 4/1985  
DE 2434641 1/1976  
DE 3110458 10/1982  
DE 3129881 2/1983  
DE 3140776 4/1983  
DE 4342484 4/1995  
DE 2011772 2/2002  
FR 2441455 6/1980  
FR 2541617 2/1984  
FR 2716822 9/1995  
GB 2211117 6/1989  
GB 2269894 2/1994  
GB 2343645 5/2000  
JP 11058111 3/1999  
JP 2004306212 11/2004  
WO 0041453 7/2000  
WO 2005025792 3/2005

\* cited by examiner

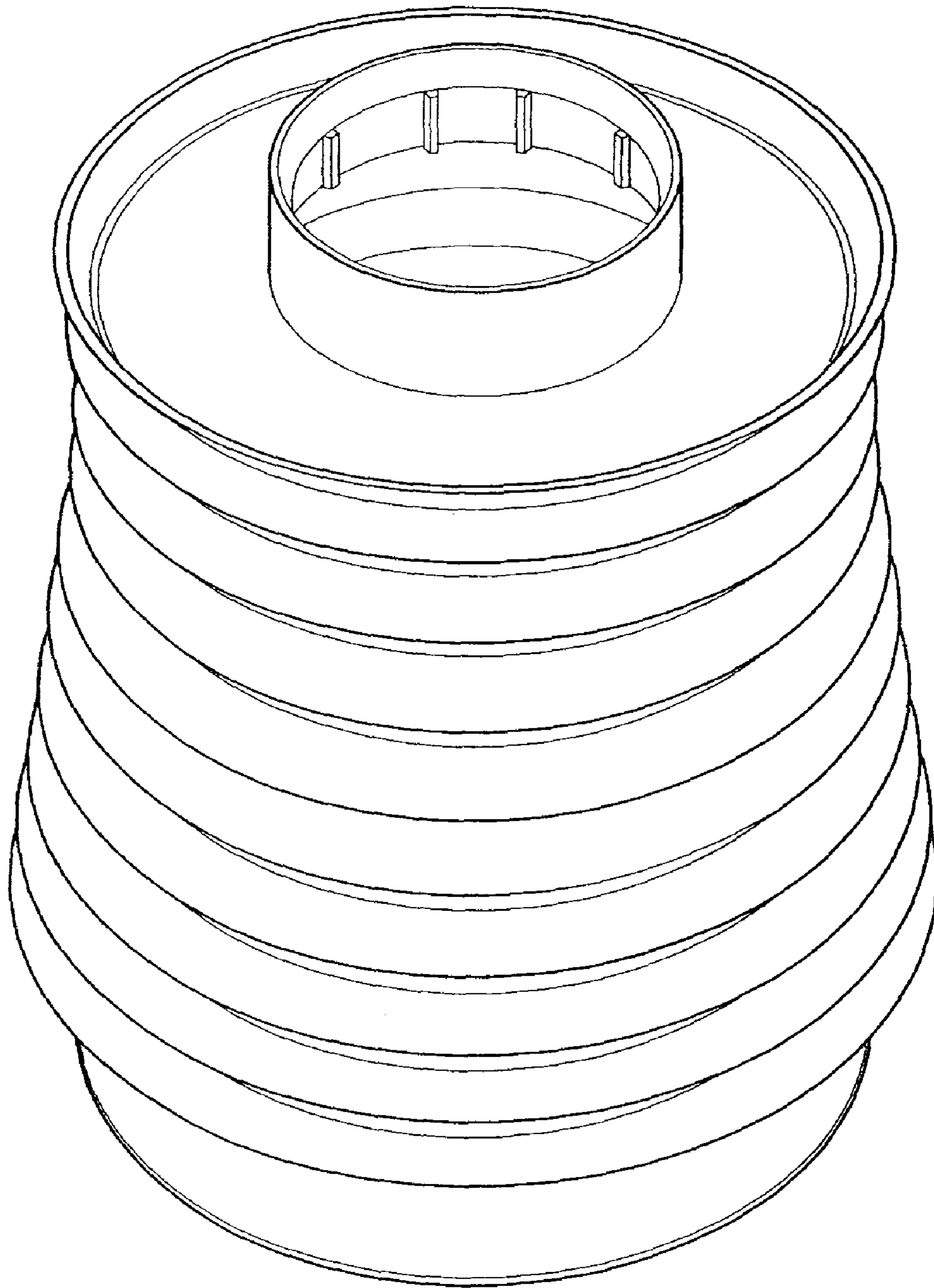


FIG. 1

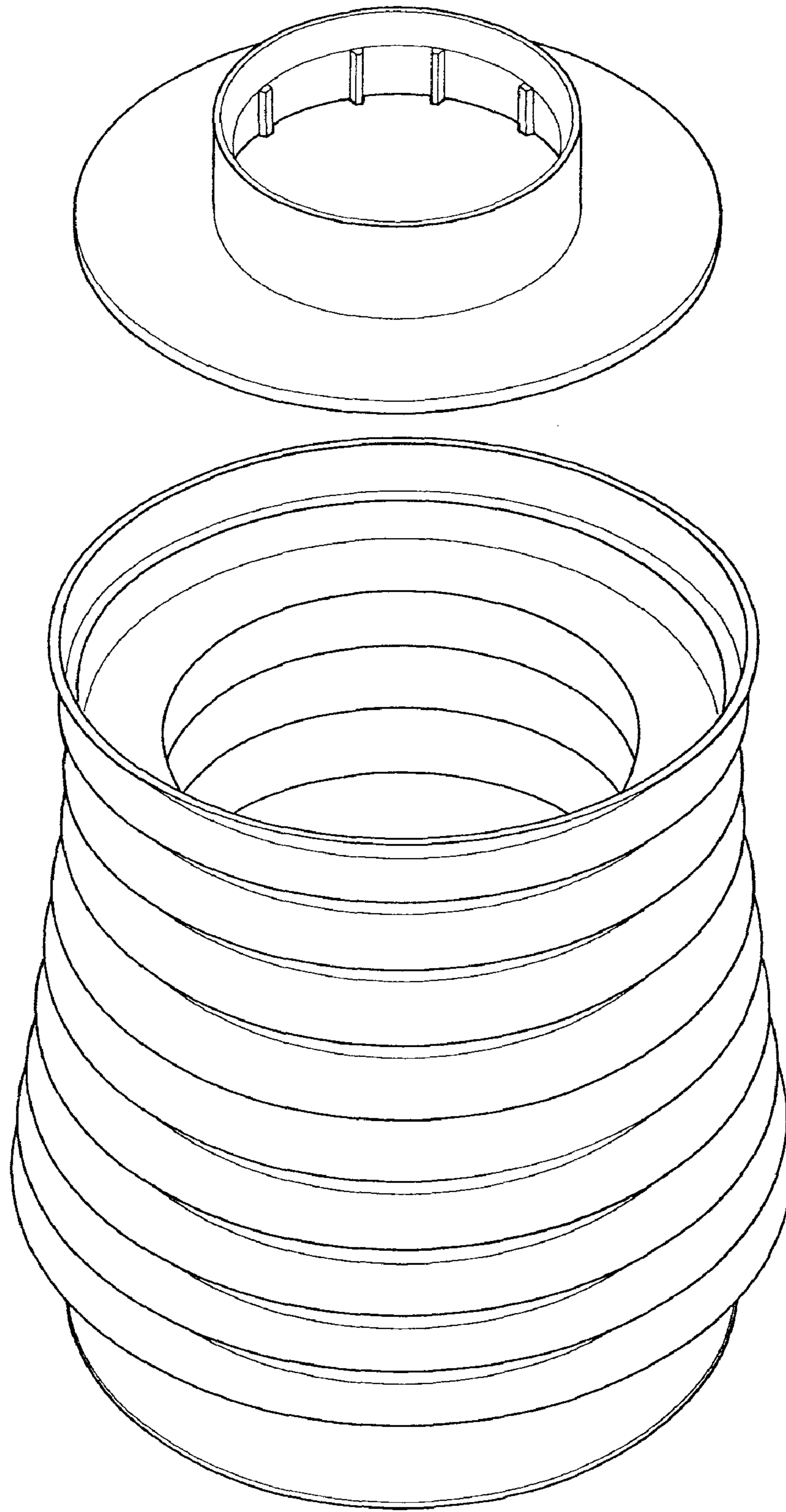


FIG. 2

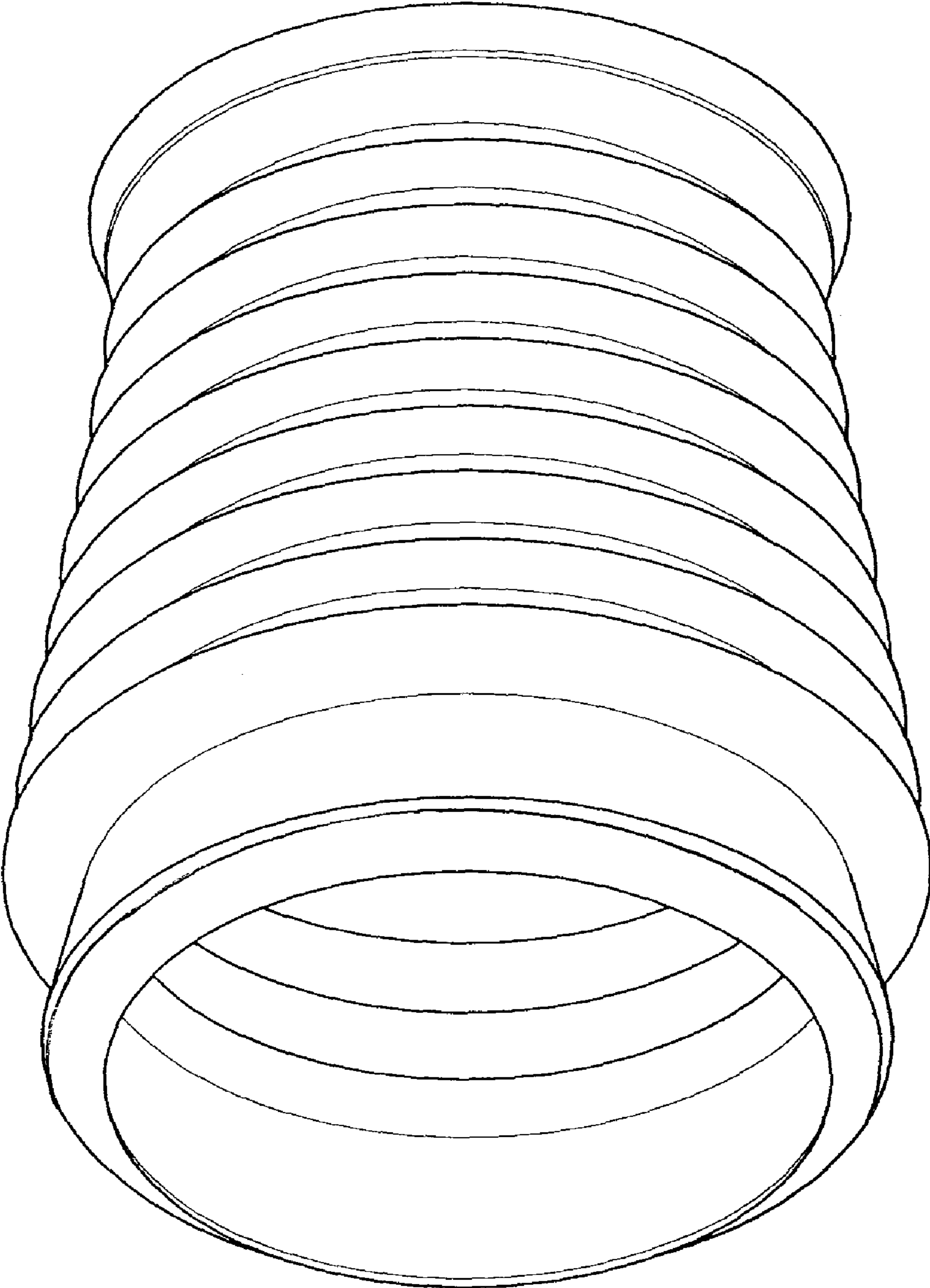


FIG. 3

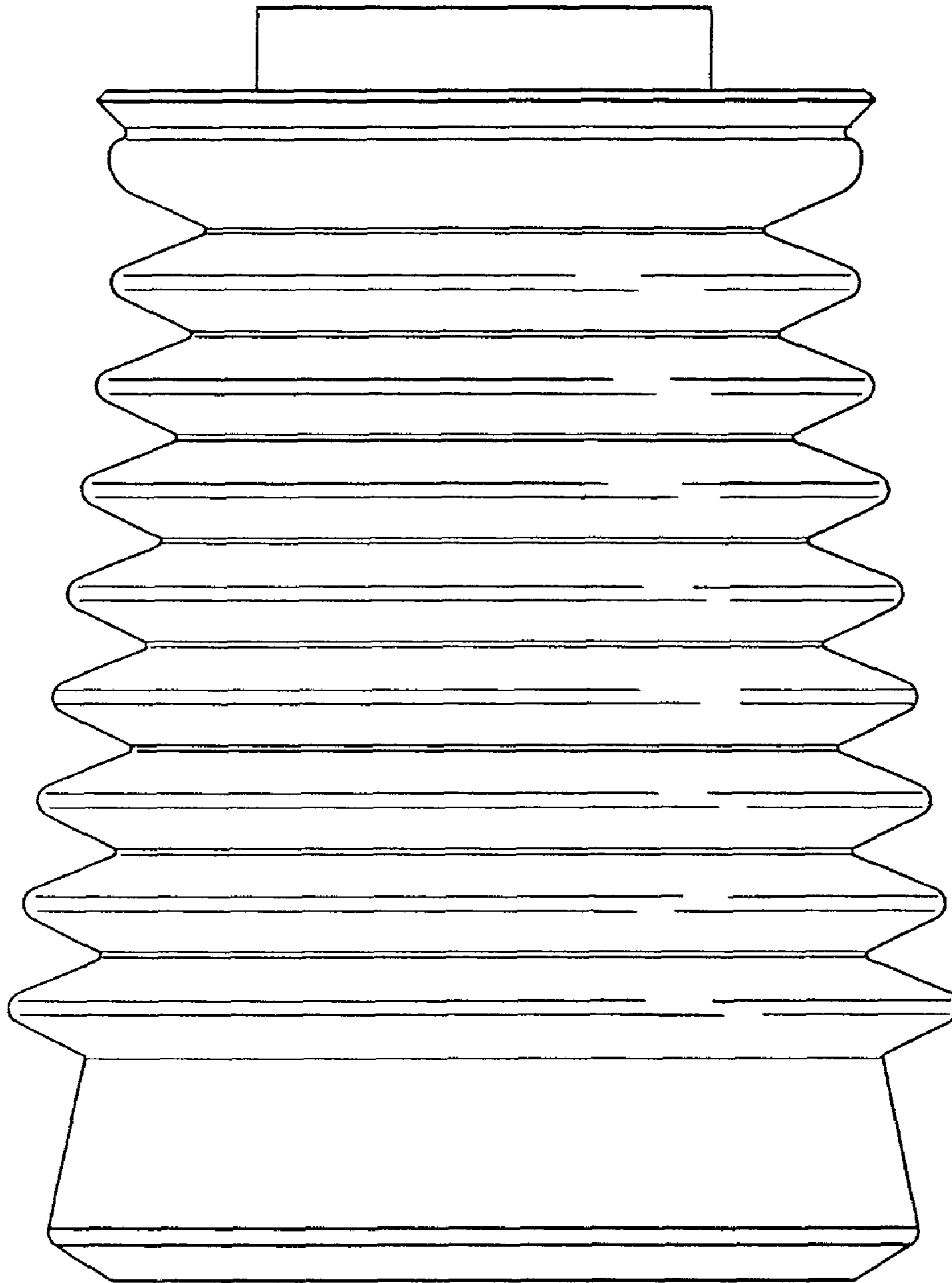


FIG. 4

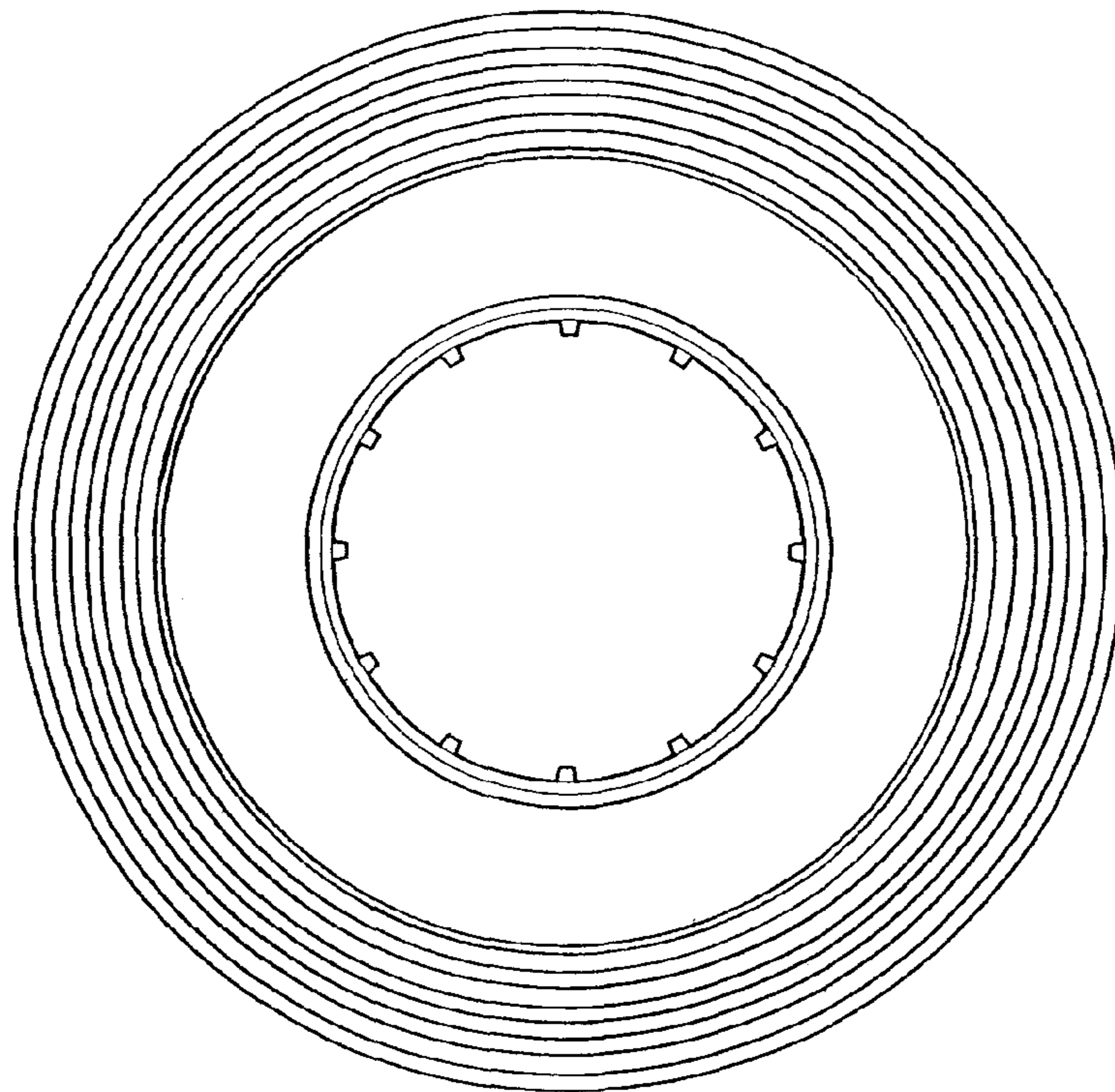


FIG. 5

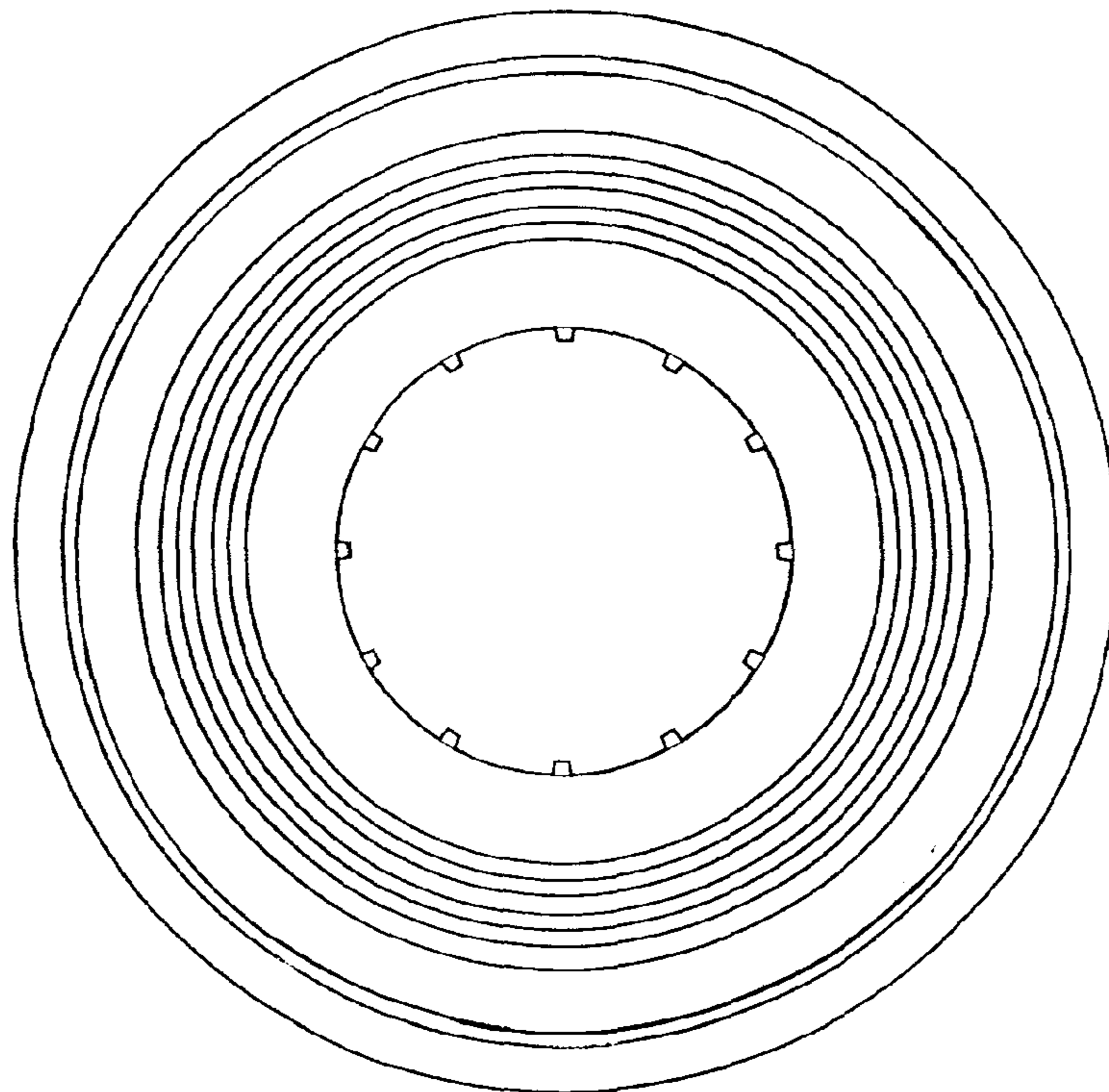


FIG. 6