



US00D588892S

(12) **United States Design Patent**
Van Wambeke

(10) **Patent No.:** **US D588,892 S**
(45) **Date of Patent:** **** Mar. 24, 2009**

(54) **ROTARY SAW**

(75) Inventor: **Weston J. Van Wambeke**, Towson, MD
(US)

(73) Assignee: **Black & Decker Inc.**, Newark, DE (US)

(**) Term: **14 Years**

(21) Appl. No.: **29/328,578**

(22) Filed: **Nov. 26, 2008**

(51) **LOC (9) Cl.** **08-03**

(52) **U.S. Cl.** **D8/64**

(58) **Field of Classification Search** D8/61,
D8/62, 67, 69, 70; 81/57, 57.11, 57.14, 57.26,
81/429, 464, 469; 173/2, 170, 176, 181
See application file for complete search history.

(56) **References Cited**

U.S. PATENT DOCUMENTS

5,829,931	A *	11/1998	Doumani	409/182
D437,757	S *	2/2001	Thomson et al.	D8/61
D438,076	S *	2/2001	Wikle et al.	D8/61
D477,758	S *	7/2003	Chunn et al.	D8/64
D478,487	S *	8/2003	Heun	D8/61
D481,919	S *	11/2003	Sham et al.	D8/64
D484,763	S *	1/2004	Sham et al.	D8/64

D488,366	S *	4/2004	Seinen	D8/64
D526,176	S *	8/2006	Lopano et al.	D8/61
D527,964	S *	9/2006	Riley et al.	D8/61
D528,099	S *	9/2006	Riley et al.	D14/155
D567,049	S *	4/2008	Van Wambeke	D8/64
2002/0131834	A1 *	9/2002	Lui et al.	408/124

* cited by examiner

Primary Examiner—Cathron C Brooks

Assistant Examiner—Austin Murphy

(74) *Attorney, Agent, or Firm*—Wesley W. Muller

(57) **CLAIM**

The ornamental design for a rotary saw, as shown and described.

DESCRIPTION

FIG. 1 is a perspective view of a rotary saw according to the present invention;

FIG. 2 is a left side view of the rotary saw of FIG. 1;

FIG. 3 is a right side view of the rotary saw of FIG. 1;

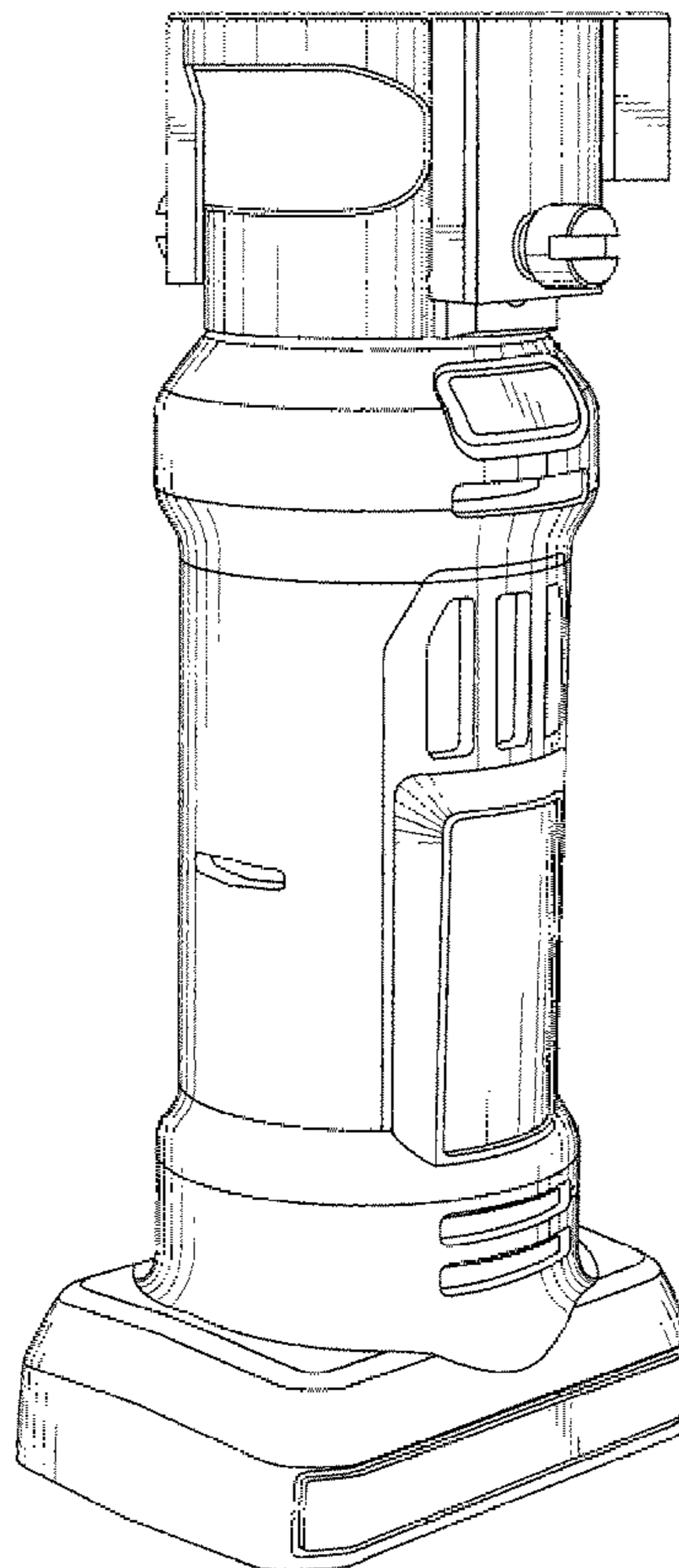
FIG. 4 is a top view of the rotary saw of FIG. 1;

FIG. 5 is a bottom view of the rotary saw of FIG. 1;

FIG. 6 is a front view of the rotary saw of FIG. 1; and,

FIG. 7 is a rear view of the rotary saw of FIG. 1.

1 Claim, 7 Drawing Sheets



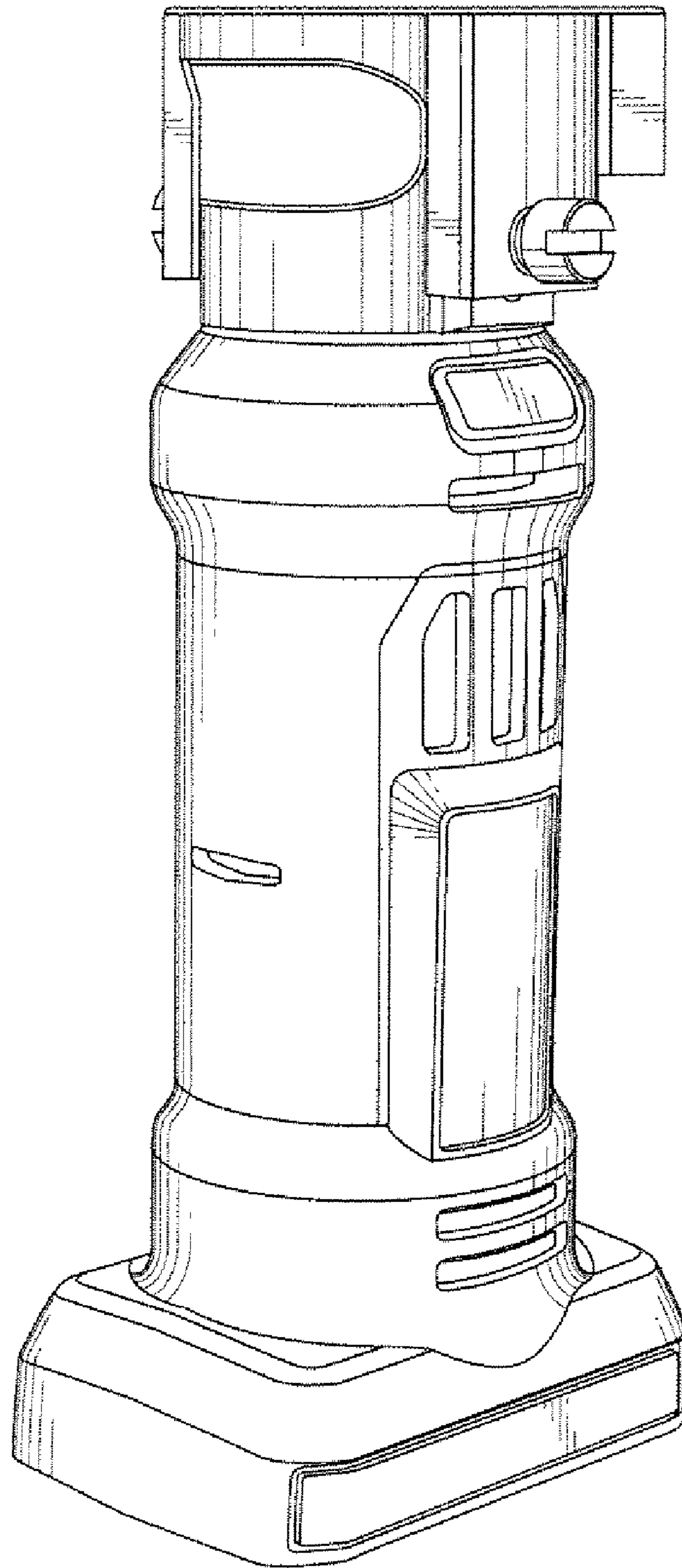


Fig. 1

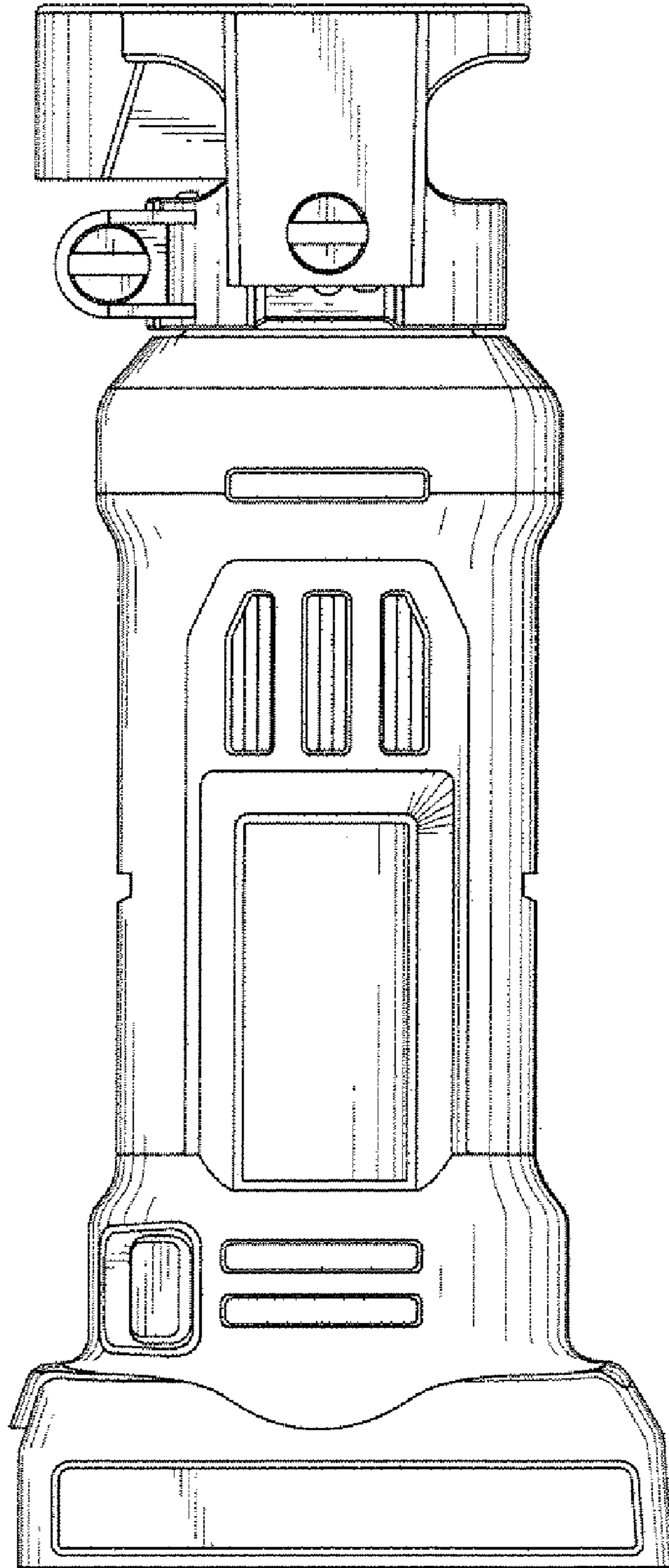


Fig. 2

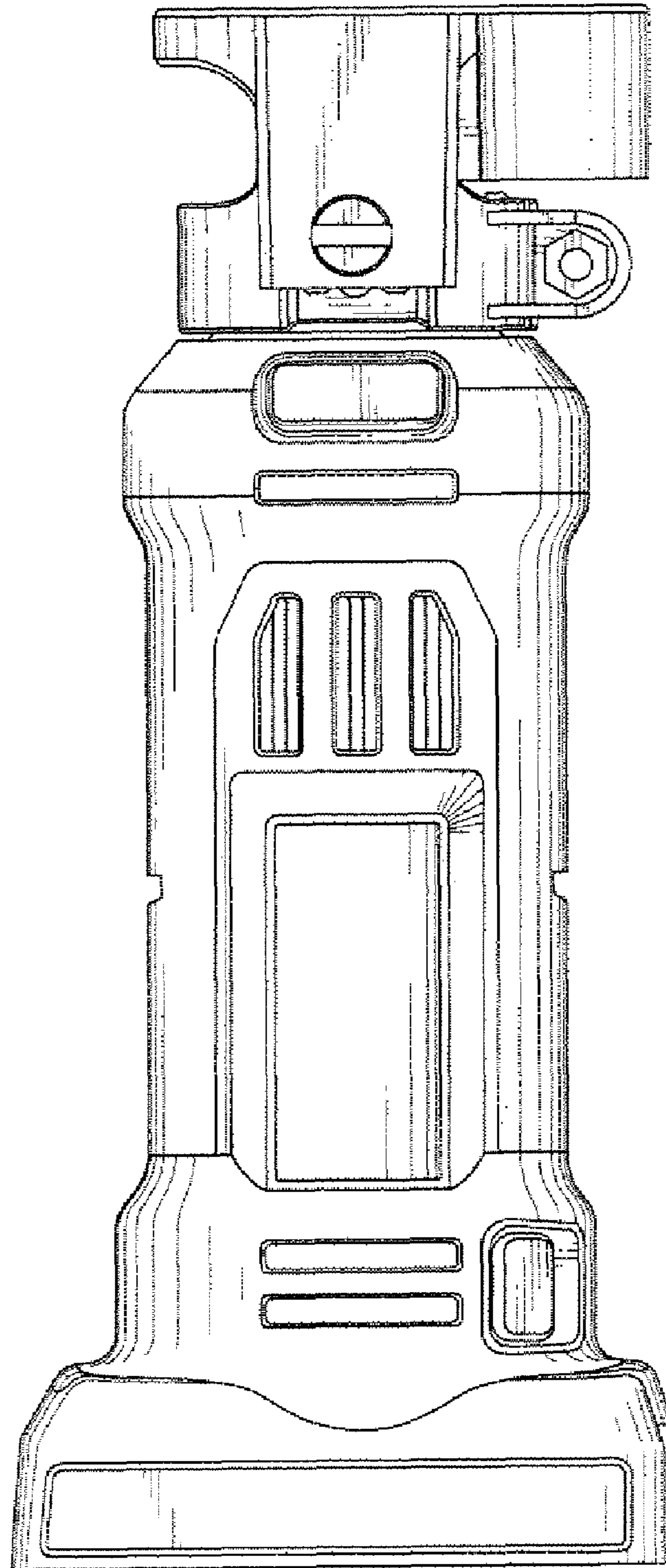


Fig. 3

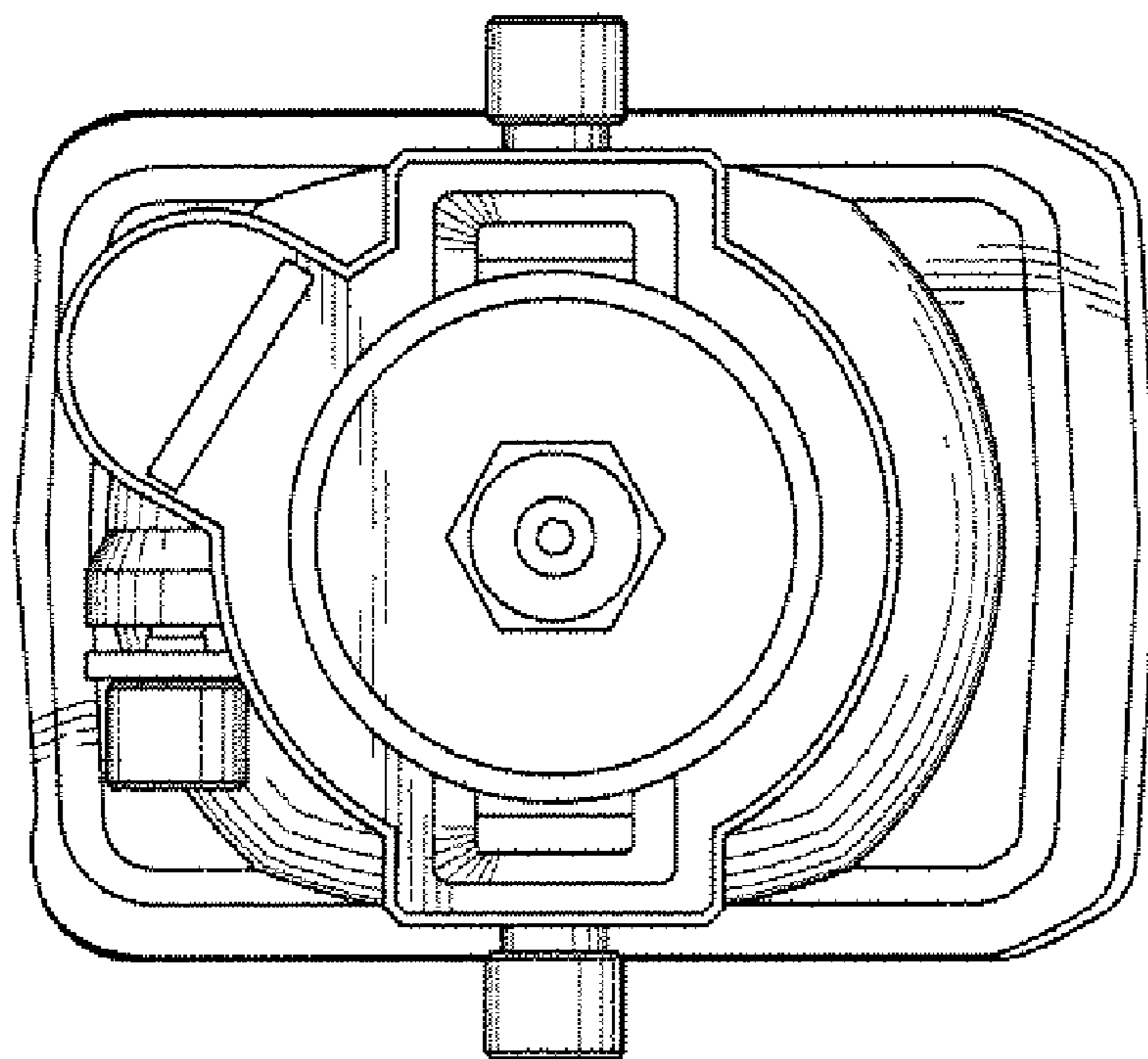


Fig. 4

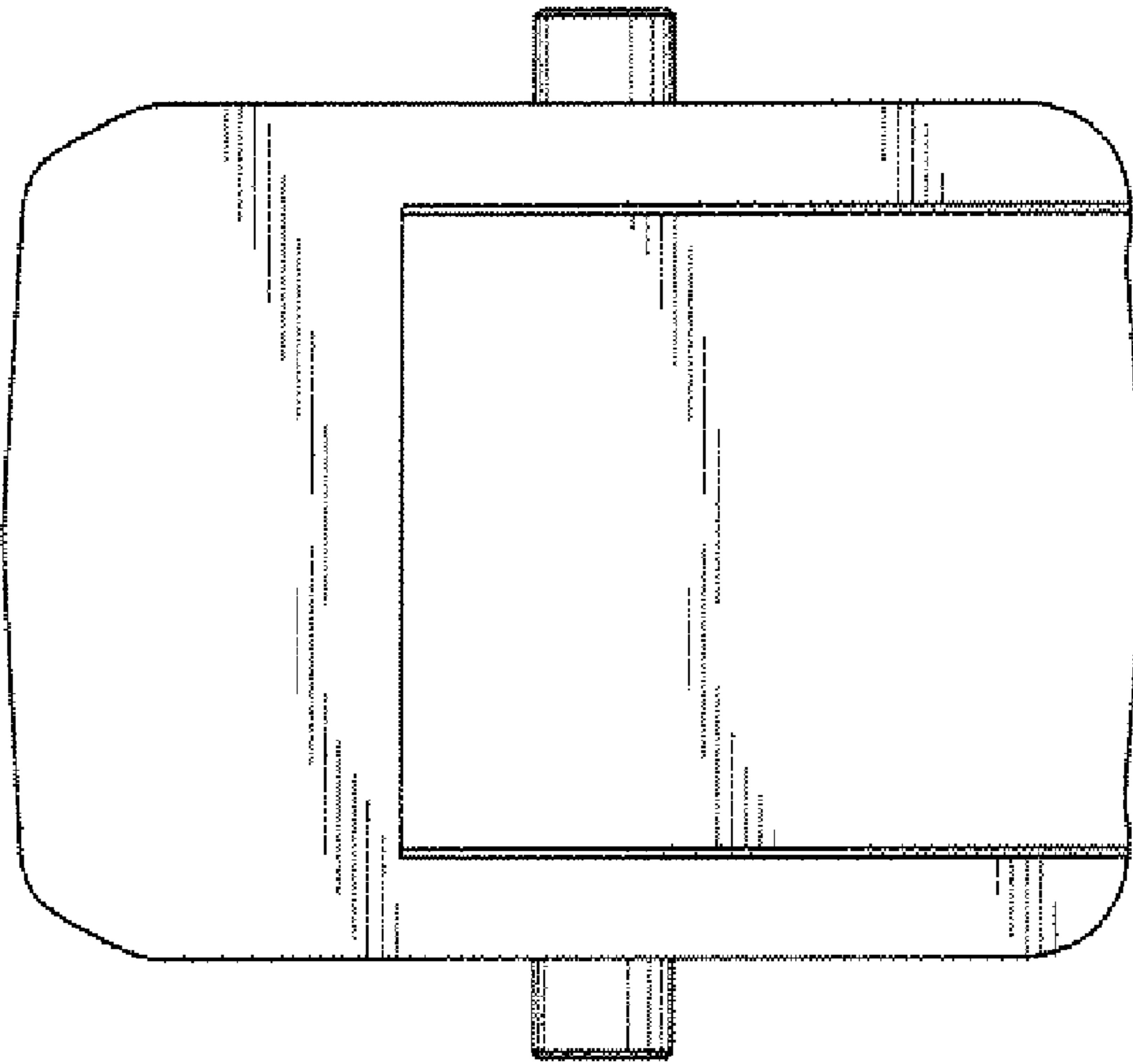


Fig. 5

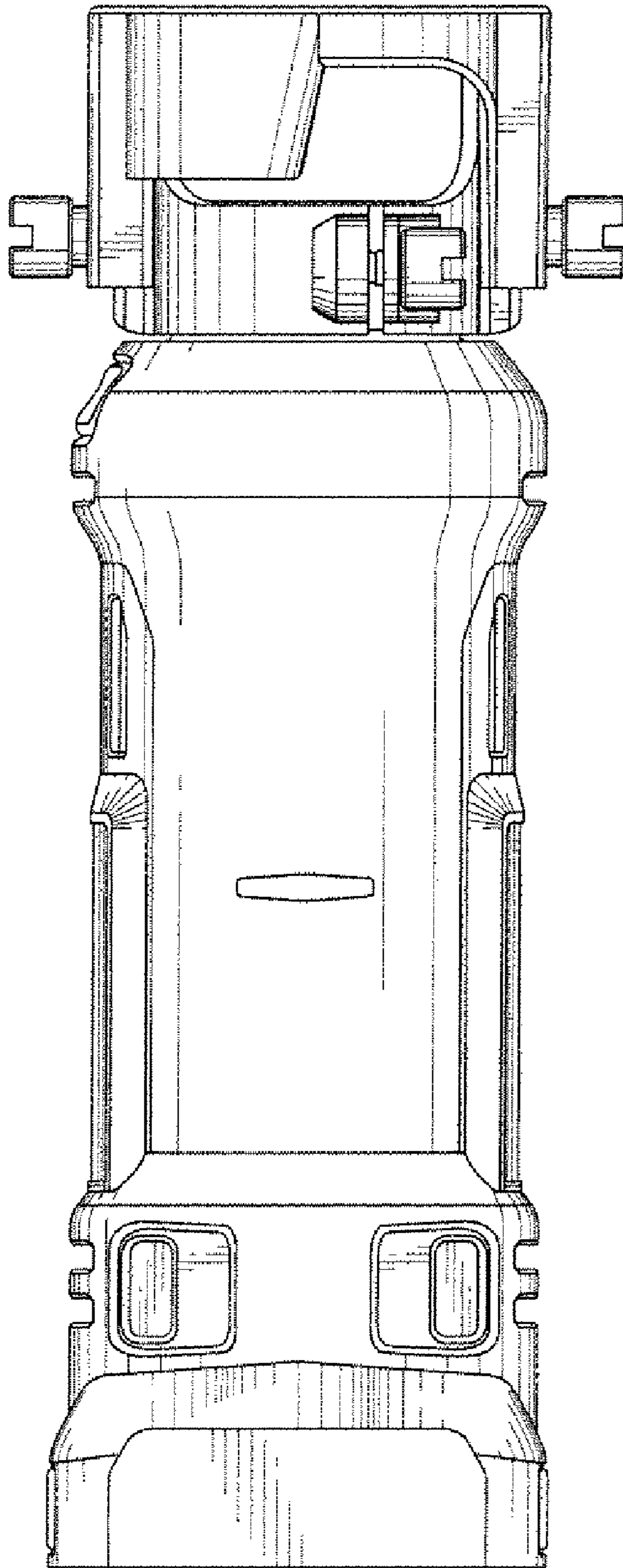


Fig. 6

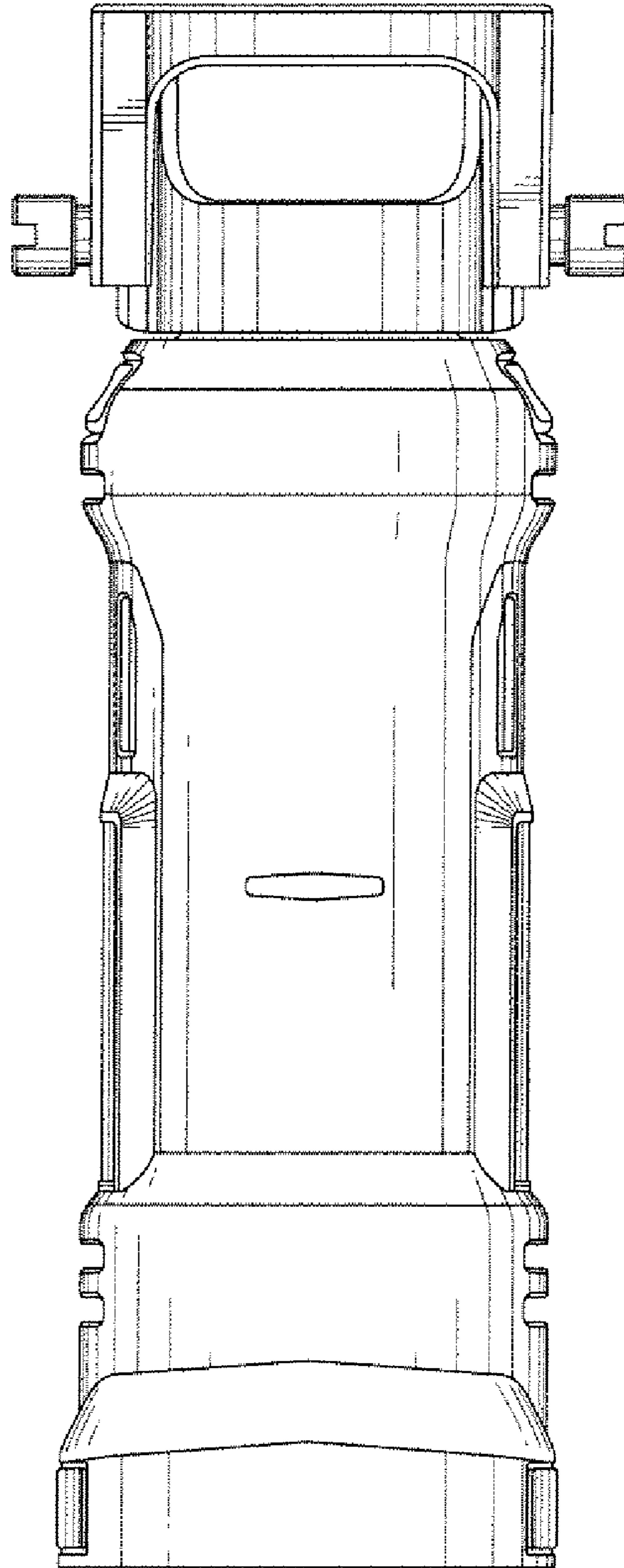


Fig. 7