



US00D588883S

(12) **United States Design Patent**  
**Randolph et al.**

(10) **Patent No.:** **US D588,883 S**  
(45) **Date of Patent:** **\*\* Mar. 24, 2009**

(54) **EMBOSSED SOCKET FOR GARDEN TOOL**

(75) Inventors: **David A. Randolph**, State College, PA (US); **James M. Wagner**, Lewistown, PA (US); **Cloyd R. Shawver**, Lewistown, PA (US); **David L. Gallaway**, Mount Union, PA (US)

(73) Assignee: **Ames True Temper, Inc.**, Camp Hill, PA (US)

(\*\*) Term: **14 Years**

(21) Appl. No.: **29/317,684**

(22) Filed: **May 5, 2008**

(51) **LOC (9) Cl.** ..... **08-01**

(52) **U.S. Cl.** ..... **D8/10**

(58) **Field of Classification Search** ..... D8/10;  
294/49, 54.5, 58, 57

See application file for complete search history.

(56) **References Cited**

U.S. PATENT DOCUMENTS

1,901,778	A *	3/1933	Schlag	.....	172/372
4,888,846	A *	12/1989	Natale	.....	15/236.01
D395,211	S *	6/1998	Linden et al.	.....	D8/10
D426,436	S *	6/2000	Ng	.....	D8/10

D551,524	S *	9/2007	Norton et al.	.....	D8/10
D558,004	S *	12/2007	Kelly, Jr.	.....	D8/10

\* cited by examiner

*Primary Examiner*—Holly H Baynham  
*Assistant Examiner*—Sheryl Lane  
(74) *Attorney, Agent, or Firm*—Eckert Seamans Cherin & Mellott, LLC; David C. Jenkins, Esq.

(57) **CLAIM**

I claim the ornamental design for an embossed socket for garden tool, as shown and described.

**DESCRIPTION**

FIG. 1 is an isometric view of an embossed socket for garden tool.

FIG. 2 is a front view of an embossed socket for garden tool.

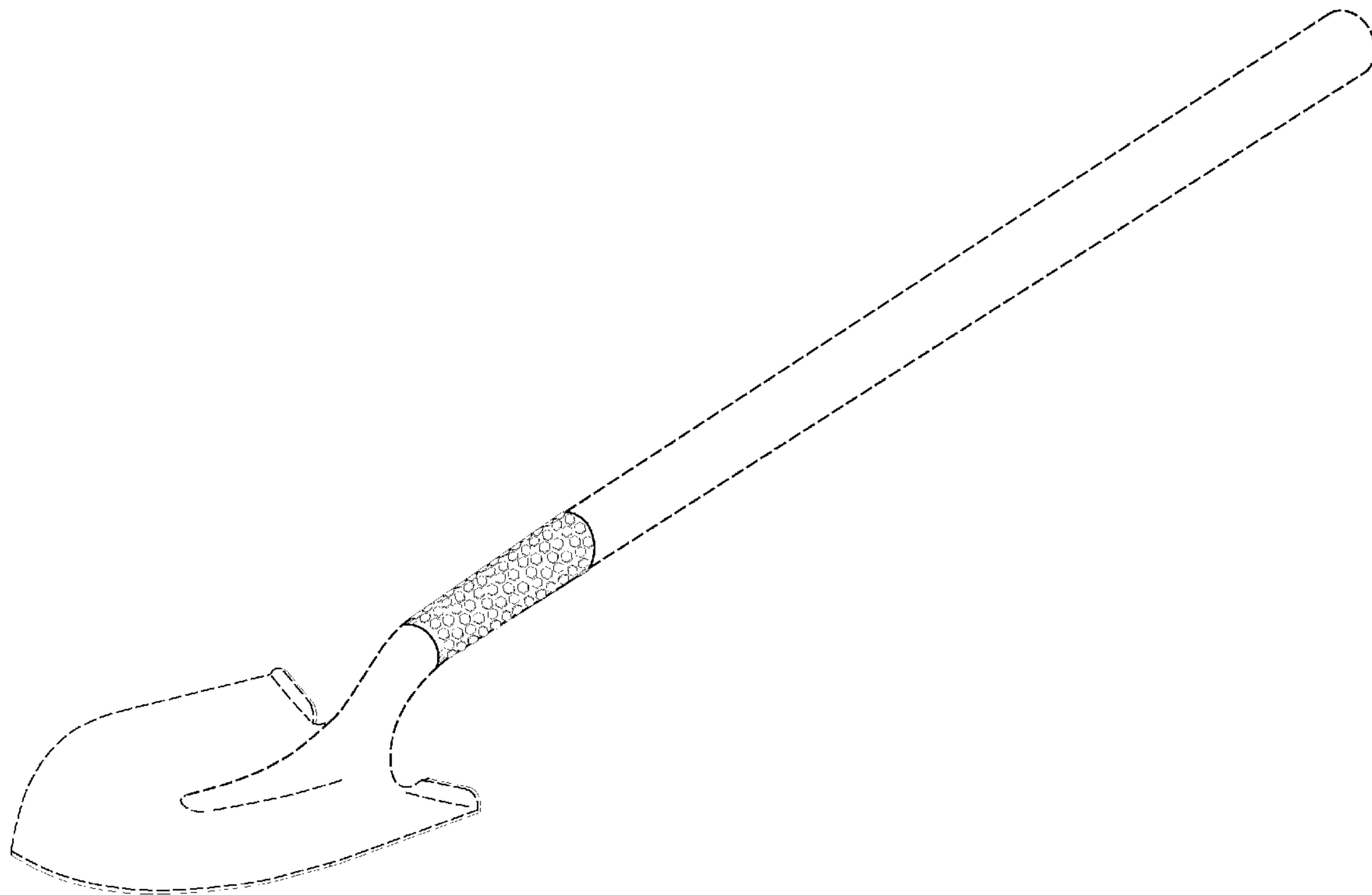
FIG. 3 is a back view of an embossed socket for garden tool.

FIG. 4 is a right side view of an embossed socket for garden tool; and,

FIG. 5 is a left side view of an embossed socket for garden tool.

The broken line showing of the garden tool is included for the purpose of illustrating borders and forms no part of the claimed design.

**1 Claim, 3 Drawing Sheets**



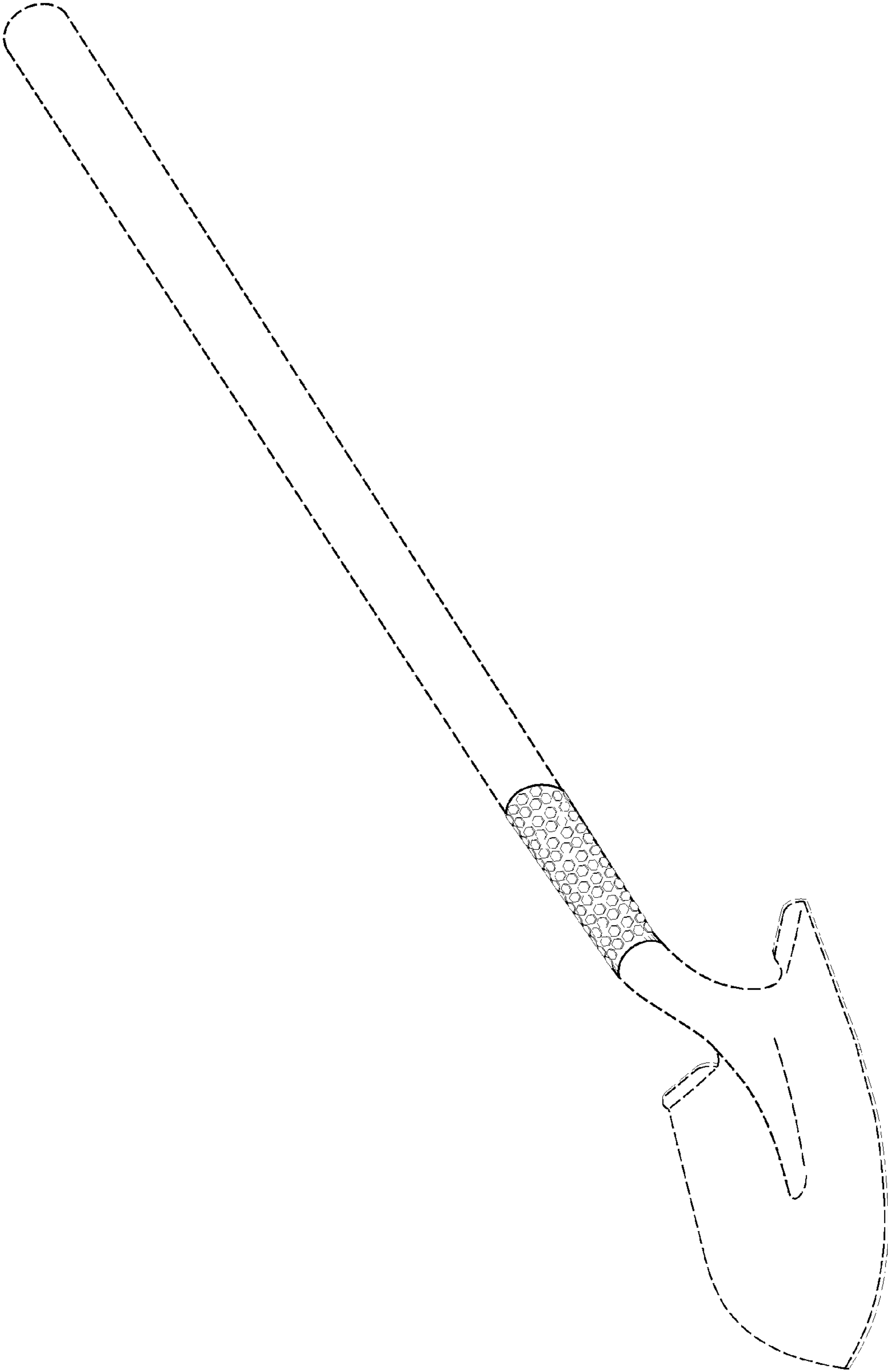


FIG. 1

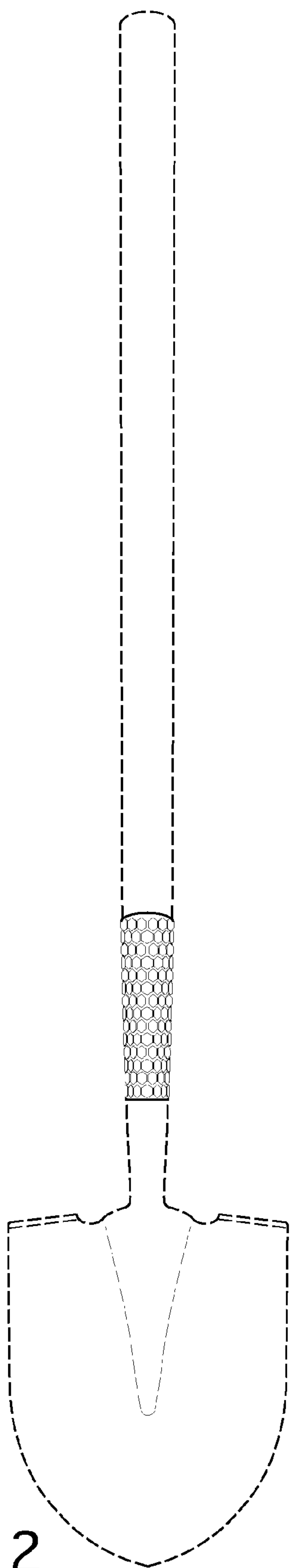


FIG. 2

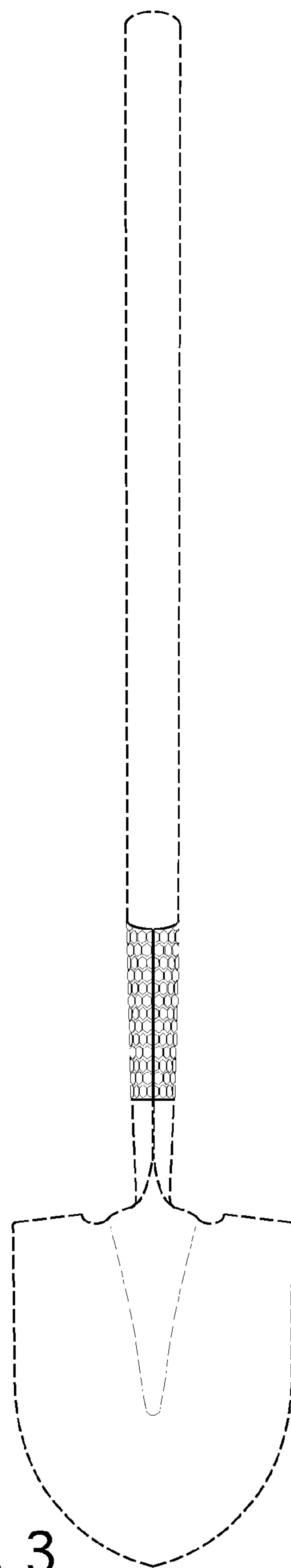


FIG. 3

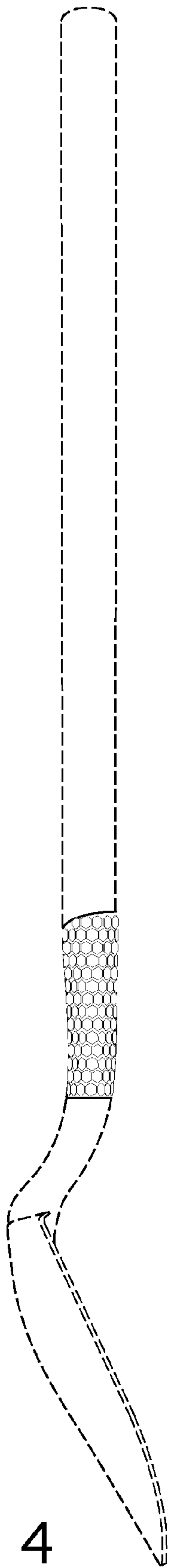


FIG. 4

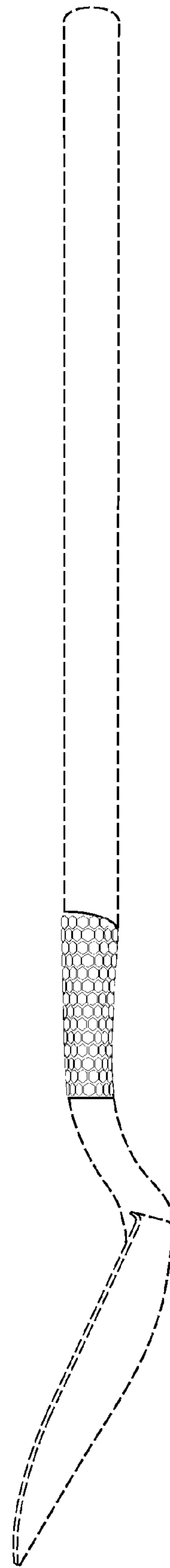


FIG. 5