



US00D588879S

(12) **United States Design Patent**
Brett

(10) **Patent No.:** **US D588,879 S**
(45) **Date of Patent:** **** Mar. 24, 2009**

(54) **BUCKET TOP CUTTING BOARD**

(76) Inventor: **Colin E. Brett**, 11733 66th St. N., Suite 106, Largo, FL (US) 33733
(**) Term: **14 Years**
(21) Appl. No.: **29/312,727**
(22) Filed: **Nov. 10, 2008**

Primary Examiner—Caron Veynar
Assistant Examiner—Ricky Pham
(74) *Attorney, Agent, or Firm*—J. David Haynes

(57) **CLAIM**

The ornamental design for a bucket top cutting board, as shown and described.

(51) **LOC (9) Cl.** **07-02**
(52) **U.S. Cl.** **D7/698**
(58) **Field of Classification Search** D7/387–388, D7/409, 505, 549, 553.5, 555, 566, 586, 624.1, D7/637–638, 667, 673, 696, 698–699; D9/440, D9/447; D10/46.3; 99/446, 449, 484; 210/474; 220/287, 574; 269/13–16, 54.5, 289 R, 291–292, 269/297–298, 302.1
See application file for complete search history.

DESCRIPTION

(56) **References Cited**

U.S. PATENT DOCUMENTS

D154,671	S	*	8/1949	Foley	D7/566
D183,947	S	*	11/1958	Quisgaard	D7/673
D255,530	S	*	6/1980	Daenen et al.	D10/46.3
4,366,914	A	*	1/1983	Ingram	220/287
D286,268	S	*	10/1986	Wolff	D9/447
D304,276	S	*	10/1989	Wolff et al.	D7/698
D304,277	S	*	10/1989	Wolff et al.	D7/698
D342,873	S	*	1/1994	Dannenberg	D7/698
D353,080	S	*	12/1994	Cantereels et al.	D7/667
5,423,451	A	*	6/1995	Snyder	220/574
D367,587	S	*	3/1996	Perlmutter et al.	D7/555
D379,574	S	*	6/1997	Jeppesen et al.	D7/698
D432,421	S	*	10/2000	Sullivan, Jr.	D9/440
6,247,600	B1	*	6/2001	Sullivan, Jr.	210/474
D494,470	S	*	8/2004	Guyot	D9/447
7,178,798	B1	*	2/2007	Funk et al.	269/289 R
D559,615	S	*	1/2008	Laib et al.	D7/387
D571,164	S	*	6/2008	Yelland	D7/667

* cited by examiner

FIG. 1 is a top view of the bucket top cutting board showing my new design;
FIG. 2 is a bottom view of the bucket top cutting board;
FIG. 3 is a left side elevational view of the bucket top cutting board shown in FIG. 1;
FIG. 4 is a right side elevational view of the bucket top cutting board shown in FIG. 1;
FIG. 5 is a front elevational view of the bucket top cutting board as disclosed in FIG. 1;
FIG. 6 is rear elevational view of the bucket top cutting board as disclosed in FIG. 1;
FIG. 7 is a top perspective view of the bucket top cutting board;
FIG. 8 is a bottom perspective view of the bucket top cutting board;
FIG. 9 is to perspective view of the bucket top cutting board showing the bucket top and cutting knife in dashed lines; and,
FIG. 10 is a cut away top perspective view of the bucket top cutting board showing the bucket top and cutting knife in dashed lines.

The broken lines shown in the drawings are for illustrative purposes only and form no part of the claimed design.

1 Claim, 5 Drawing Sheets

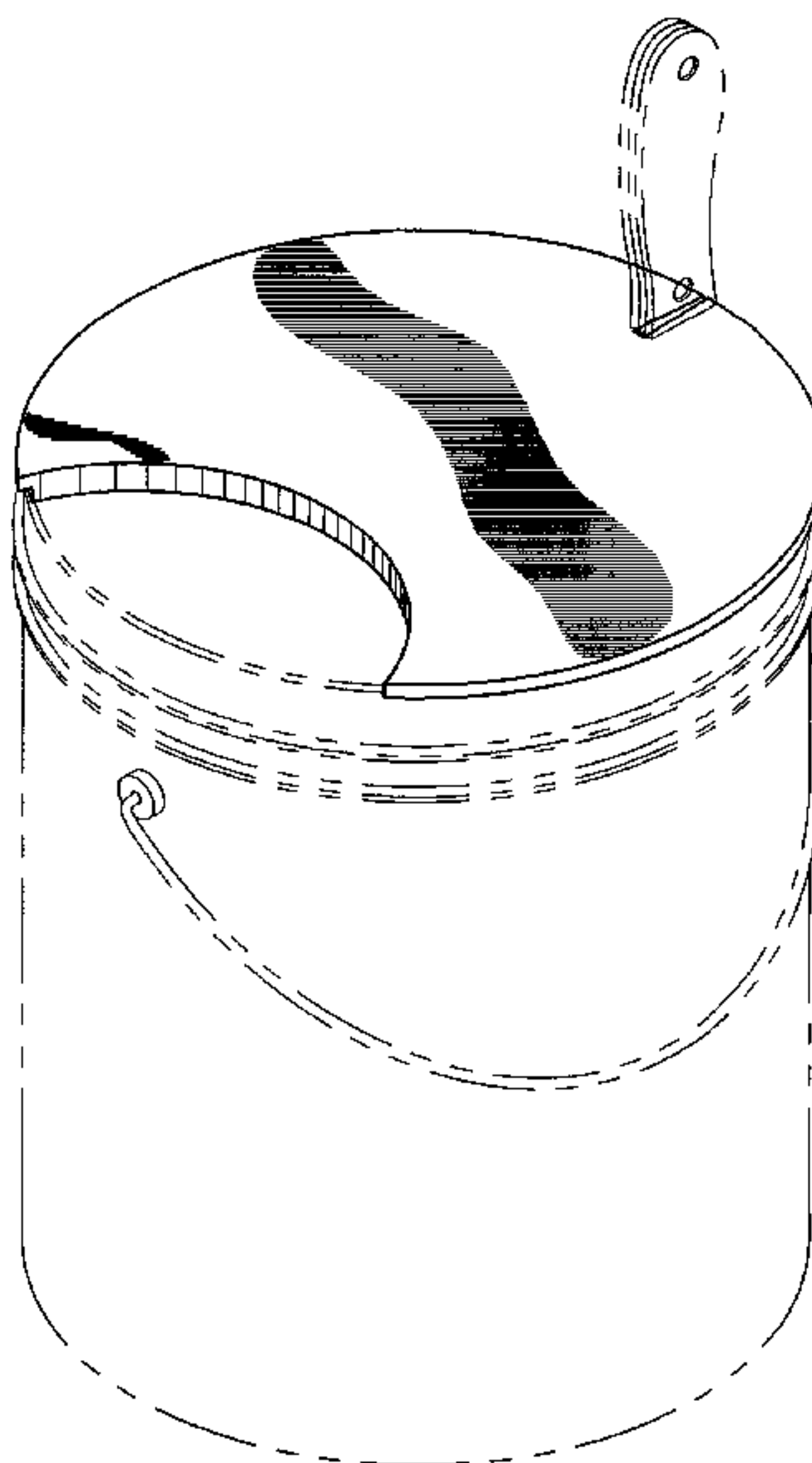


FIG. 1

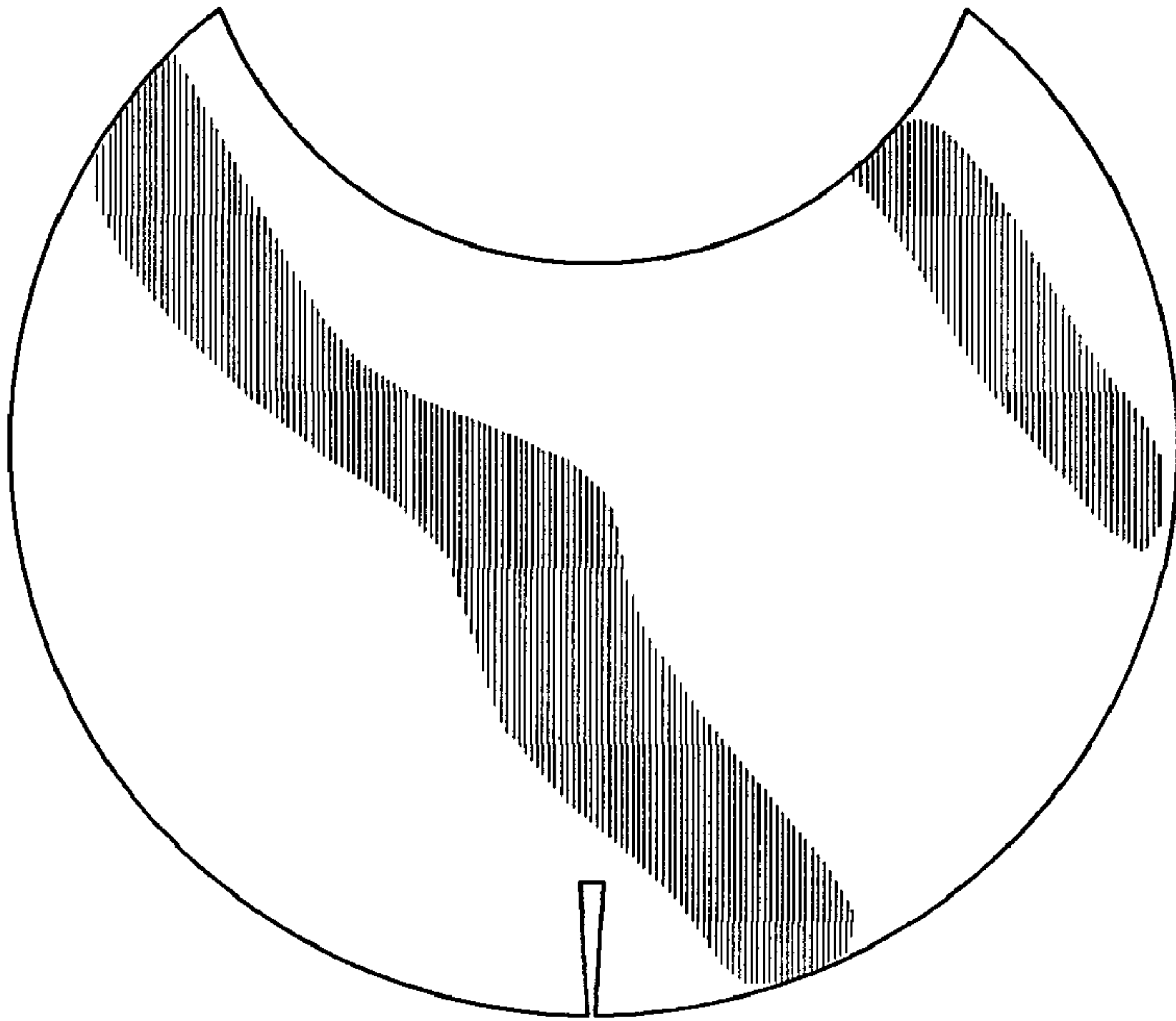


FIG. 2

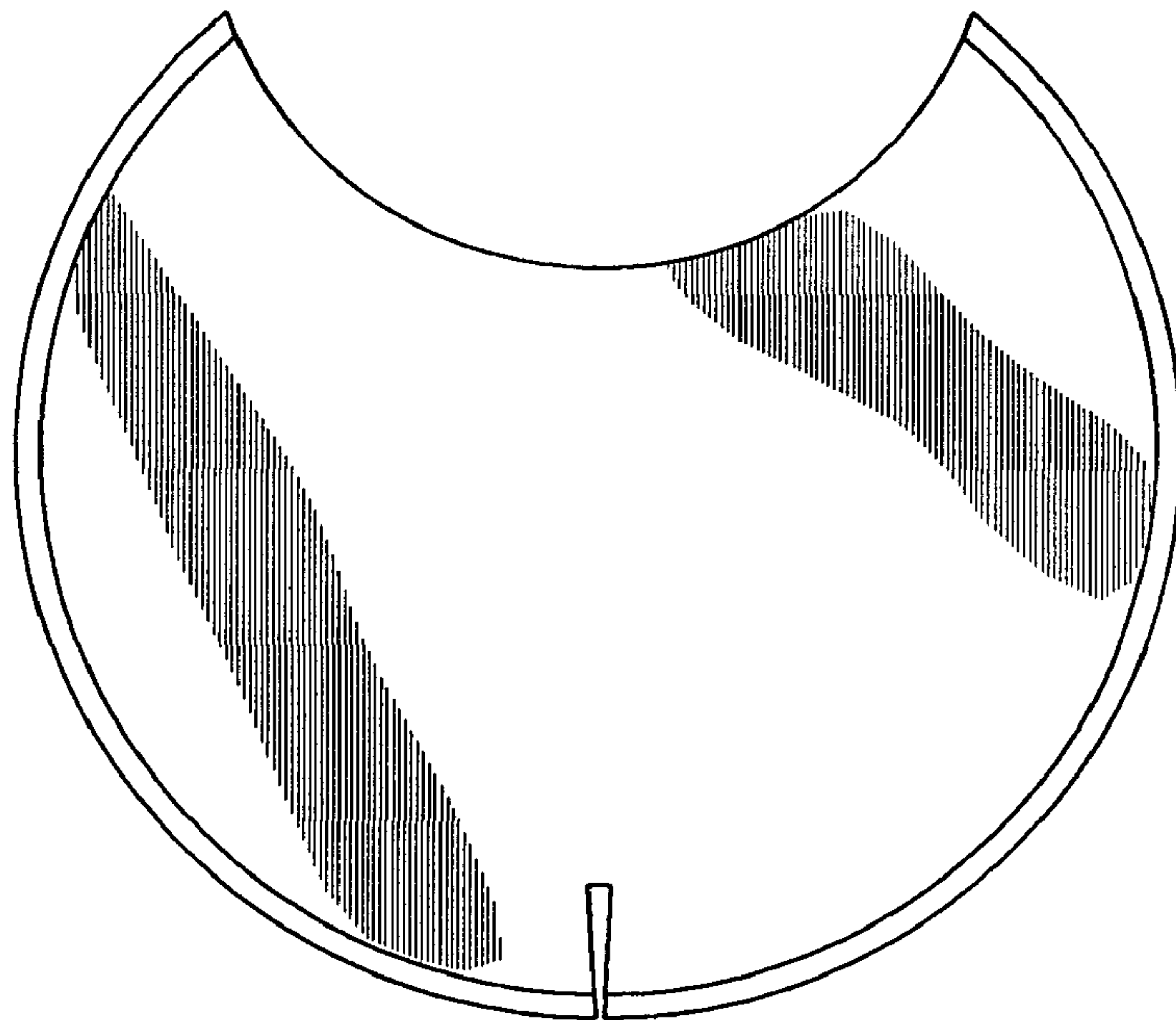


FIG. 3



FIG. 4

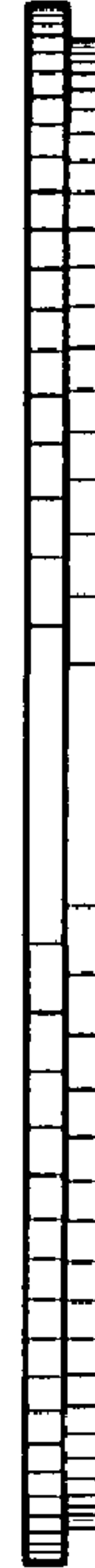


FIG. 5

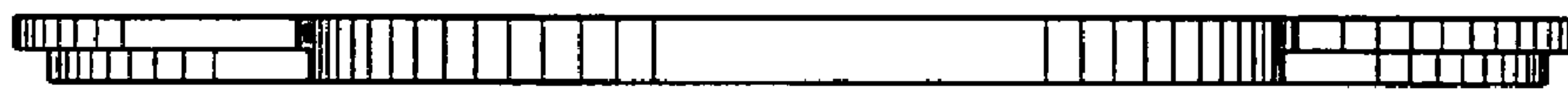


FIG. 6



FIG. 7

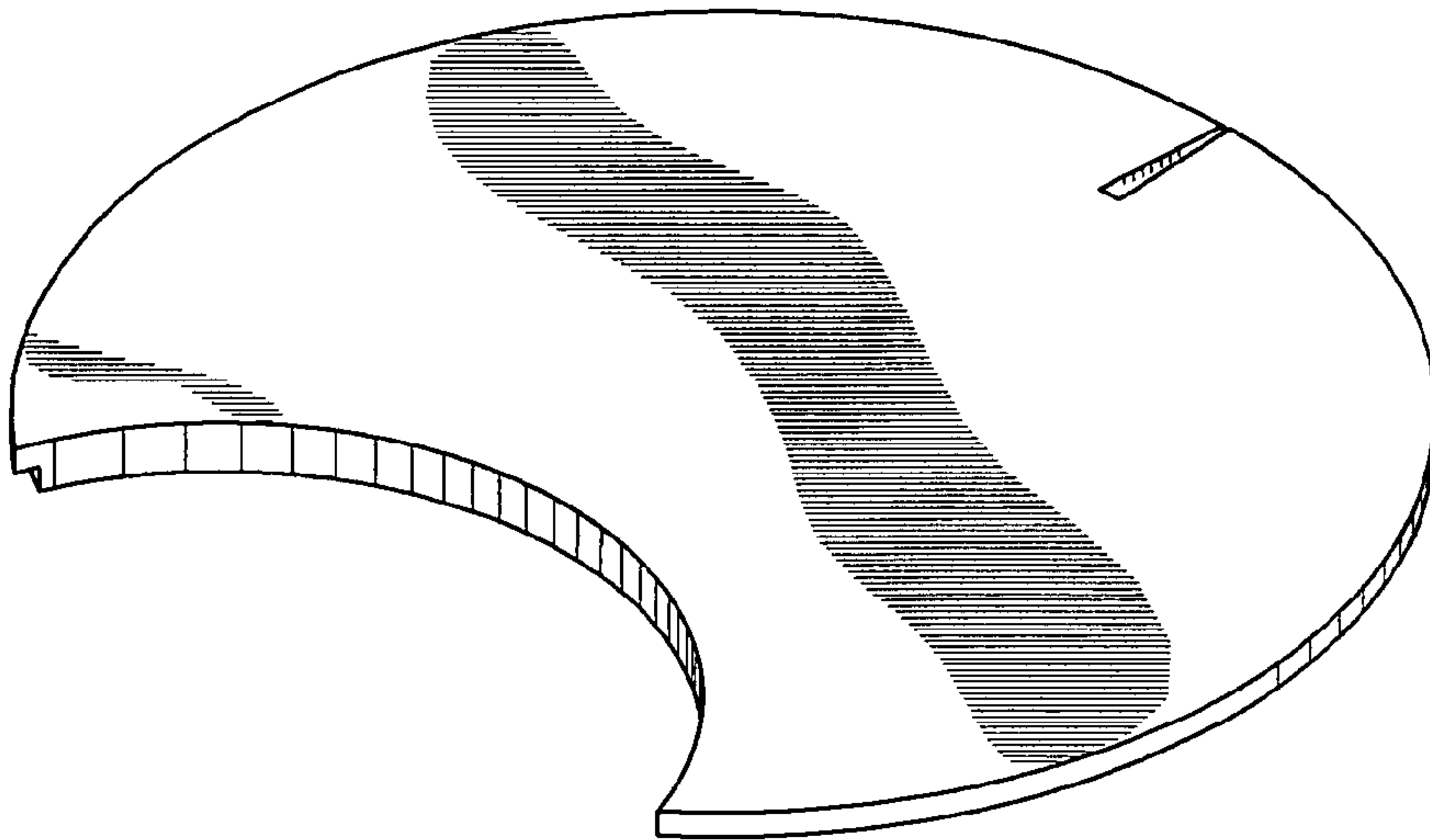


FIG. 8

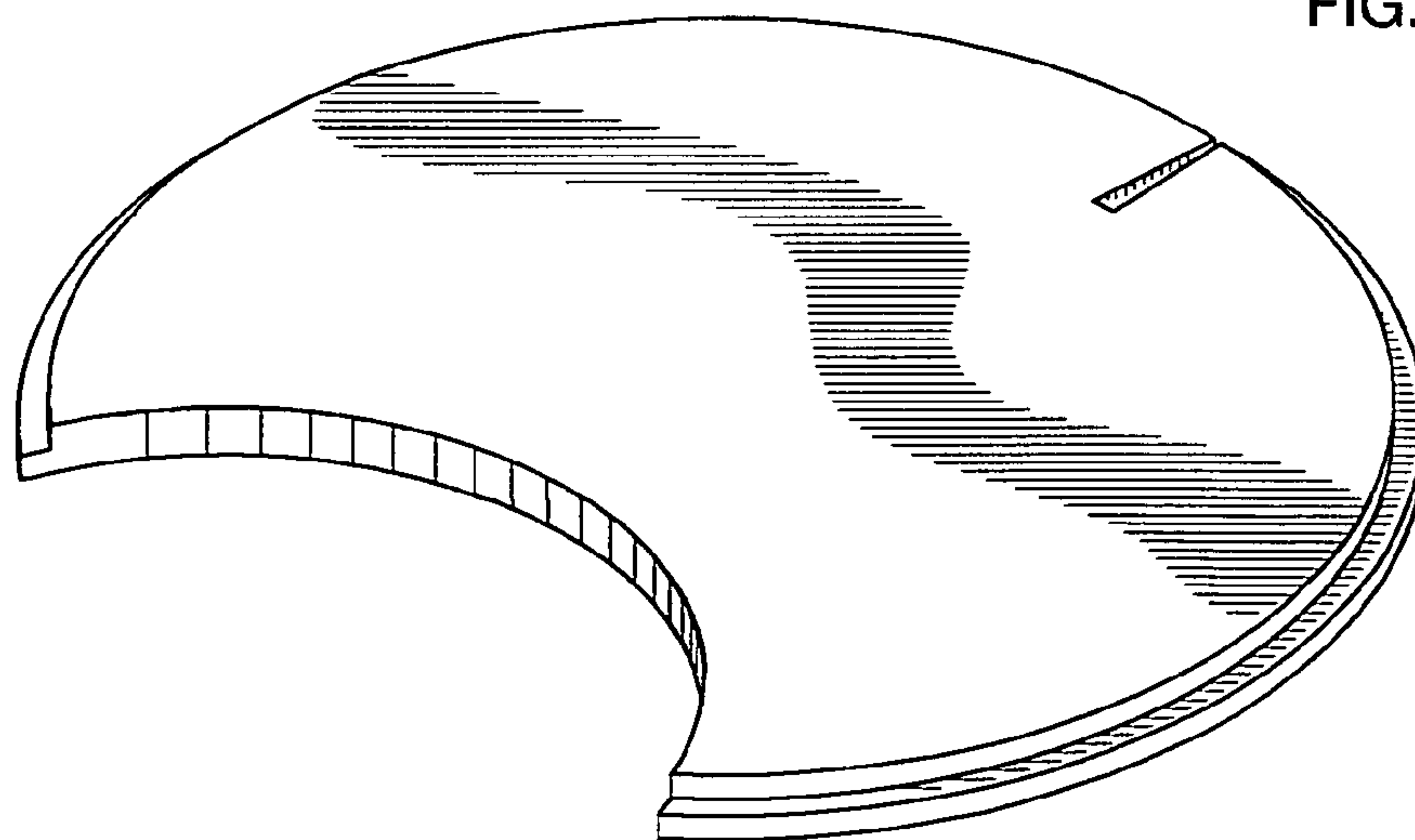


FIG. 9

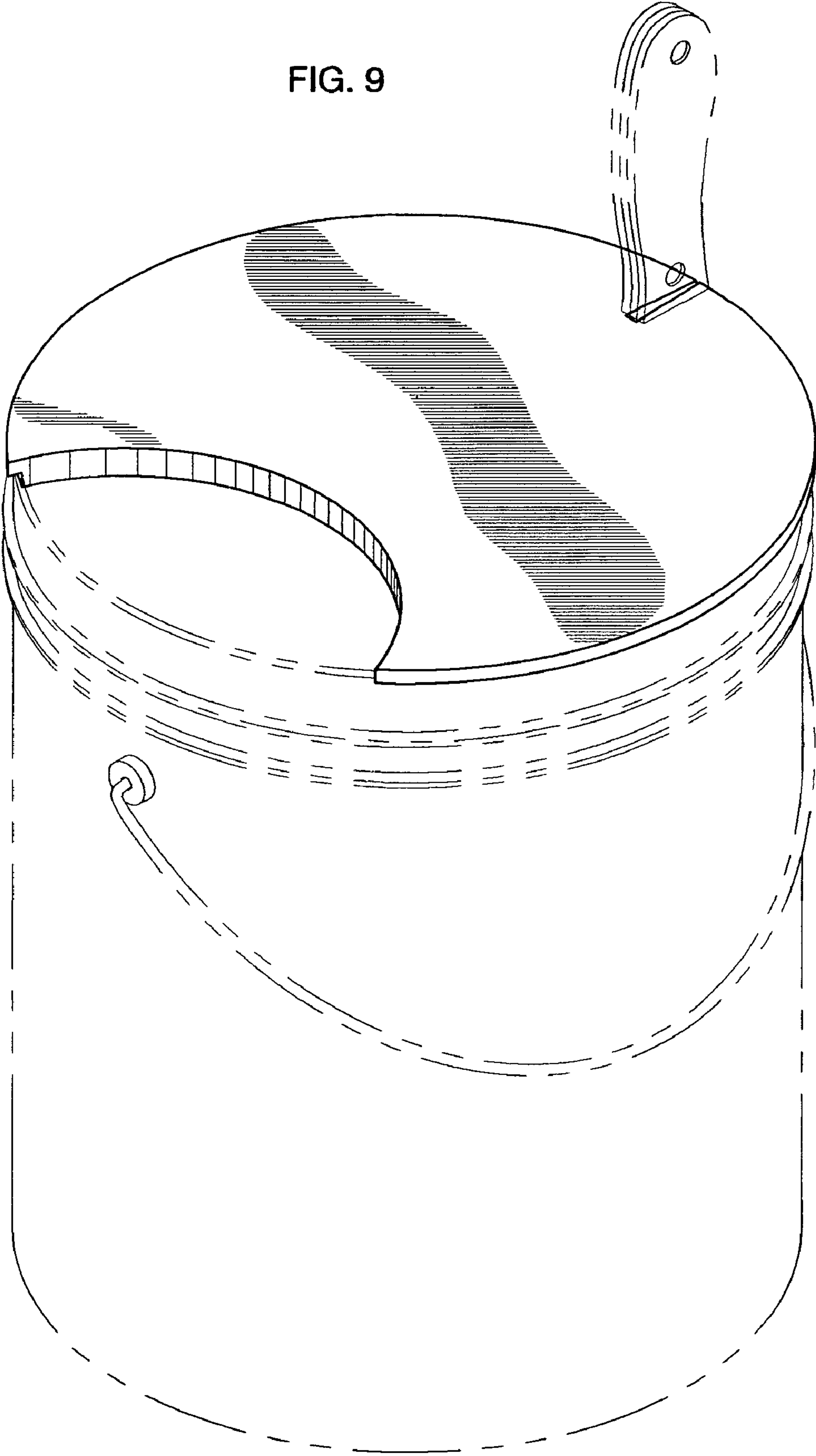


FIG. 10

