



US00D588877S

(12) **United States Design Patent**
DiNovo

(10) **Patent No.:** **US D588,877 S**
(45) **Date of Patent:** **** Mar. 24, 2009**

(54) **NAPKIN BASKET WITH ATTACHABLE
CONDIMENT HOLDERS ON THE HANDLE**

Primary Examiner—Terry A Wallace
(74) *Attorney, Agent, or Firm*—Keith L. Jenkins, Registered
Patent Attorney, LLC; Keith L. Jenkins

(76) **Inventor:** **Rosa DiNovo**, 699 W. Melody Ave.,
Gilbert, AZ (US) 85233

(57) **CLAIM**

(**) **Term:** **14 Years**

The ornamental design for a napkin basket with attachable
condiment holders on the handle, as shown and described.

(21) **Appl. No.:** **29/321,205**

(22) **Filed:** **Jul. 12, 2008**

DESCRIPTION

(51) **LOC (9) Cl.** **07-06**

(52) **U.S. Cl.** **D7/631; D7/590**

(58) **Field of Classification Search** D7/631–634,
D7/590; 211/13.1, 45, 49.1, 50, 51, 59.2,
211/71.74; D19/75, 77, 78, 85, 86, 90, 91;
221/33, 34

FIG. 1 is a top, front, right side perspective view of a napkin
basket with attachable condiment holders on the handle
showing my new design.

FIG. 2 is a top, front, right side perspective view thereof, with
the condiment holders removed for clarity of illustration.

FIG. 3 is a side elevation view thereof.

See application file for complete search history.

FIG. 4 is a front view thereof, the opposite side being a mirror
image.

(56) **References Cited**

U.S. PATENT DOCUMENTS

FIG. 5 is a top plan view thereof.

FIG. 6 is a bottom plan view thereof.

1,274,413	A	8/1918	Hart et al.	
3,442,393	A	5/1969	Koppelman	
3,473,672	A *	10/1969	Fincher	211/51
D234,999	S *	4/1975	Stewart	D7/631
D241,598	S *	9/1976	Abrams	D7/631
D252,492	S	7/1979	Synder	
D304,660	S	11/1989	Lynch	
D323,956	S	2/1992	Abrams	
D324,155	S *	2/1992	Hyman	D7/590
D373,516	S *	9/1996	Curcio	D7/631
D408,691	S	4/1999	Tisdale	
D498,647	S *	11/2004	Angeletti et al.	D7/631

FIG. 7 is a top, front, right side perspective view of an alter-
nate embodiment of FIG. 1.

FIG. 8 is a front elevation view thereof of the disassembled
knob-ended napkin weight shown separately for clarity of
illustration.

FIG. 9 is a side elevation view of FIG. 7.

FIG. 10 is a front elevation view of FIG. 7, the rear view being
a mirror image.

OTHER PUBLICATIONS

Uncommon Goods, Napkin Holder, http://www.uncommongoods.com/item/item.jsp?itemId=15997&utm_medium=shopping+sites&utm_sourc... Jun. 9, 2008;
Filename: napkin_holder_internet2.

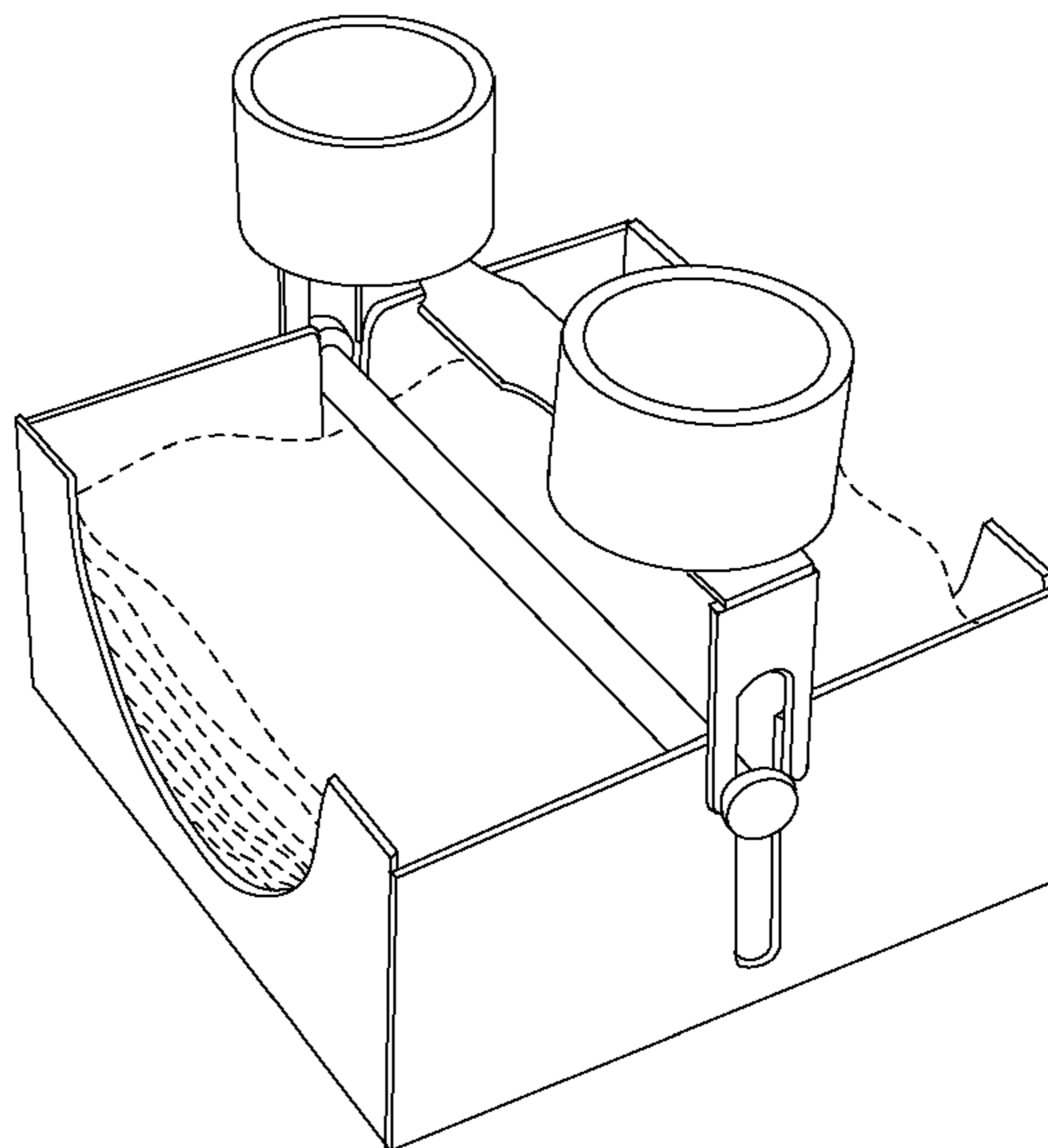
FIG. 11 is a top plan view of FIG. 7; and,

FIG. 12 is a bottom plan view of FIG. 7.

The dashed lines representing napkins in the napkin basket
are not part of the inventive design and are for illustration
purposes only.

(Continued)

1 Claim, 7 Drawing Sheets



OTHER PUBLICATIONS

Plow and Hearth, Napkin Holder, <http://www.plowhearth.com/product.asp?rcode=2289&cm%5Fmmc=merc%5Fdatafeed%2D%5F%2Dpro...> Jun. 9,

2008; Filename: napkin_holder_internet3.

Lumens Light + Living, Napkin Holder by Blomus, http://www.lumens.com/lumens/product.asp?dept_id=4190&pf_id=uu111581&ad_id=nextag&key_id=Cl...

Jun. 9, 2008; Filename: napkin_holder_internet4.

Design Ideas, Mesh Napkin Basket, <http://www.cooking.com/products/shprodde.asp?SKU=688743> Jun. 9, 2008;

Filename: napkin_holder_internet6.

MoMa Store, Napkin Holder, <http://www.momastore.org/museum/moma/>

ProductDisplay_Napkin%20Holder_10451_10001_

12771_-1_... Jun. 9, 2008; Filename: napkin_holder_internet7.

* cited by examiner

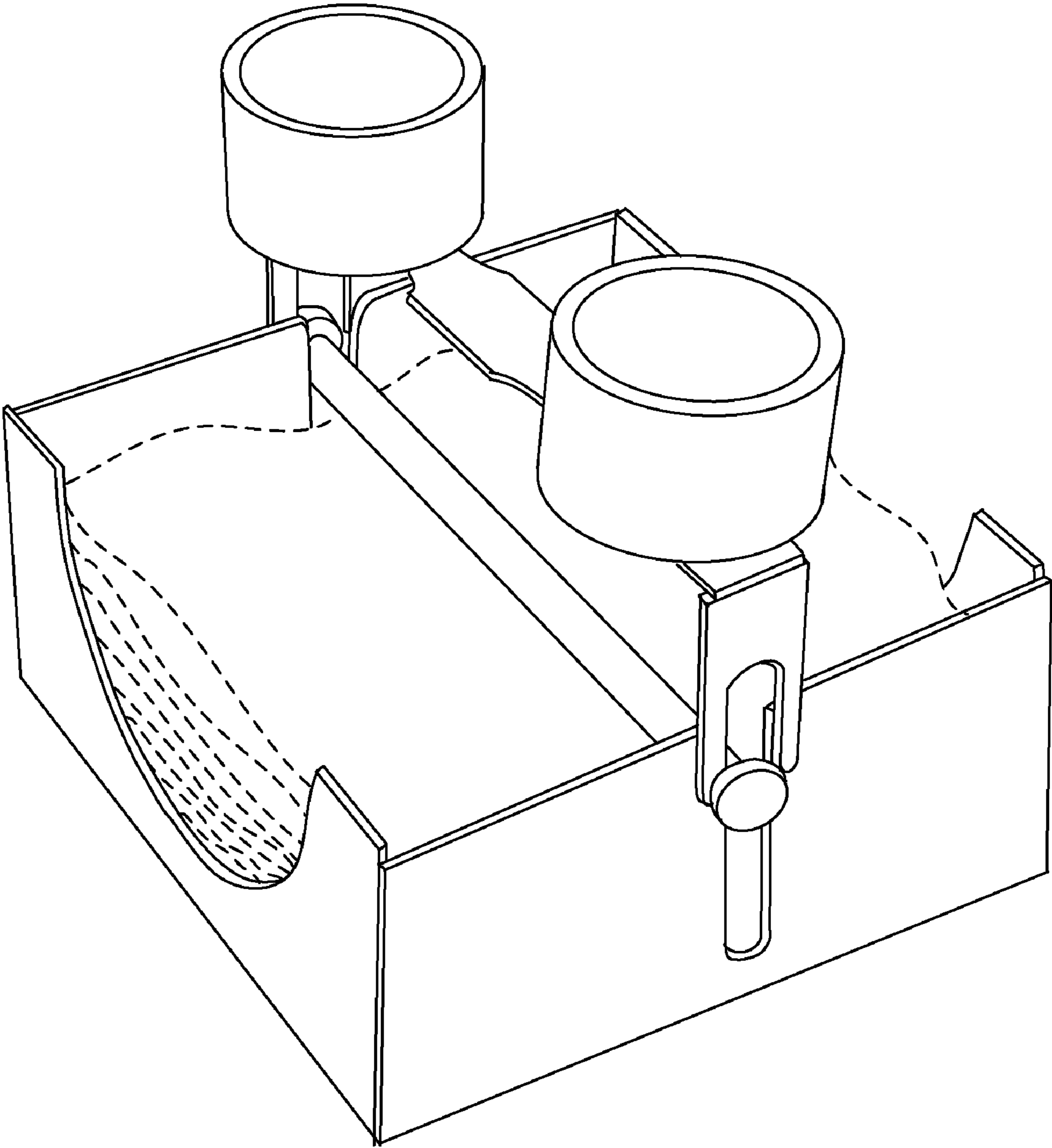


FIG. 1

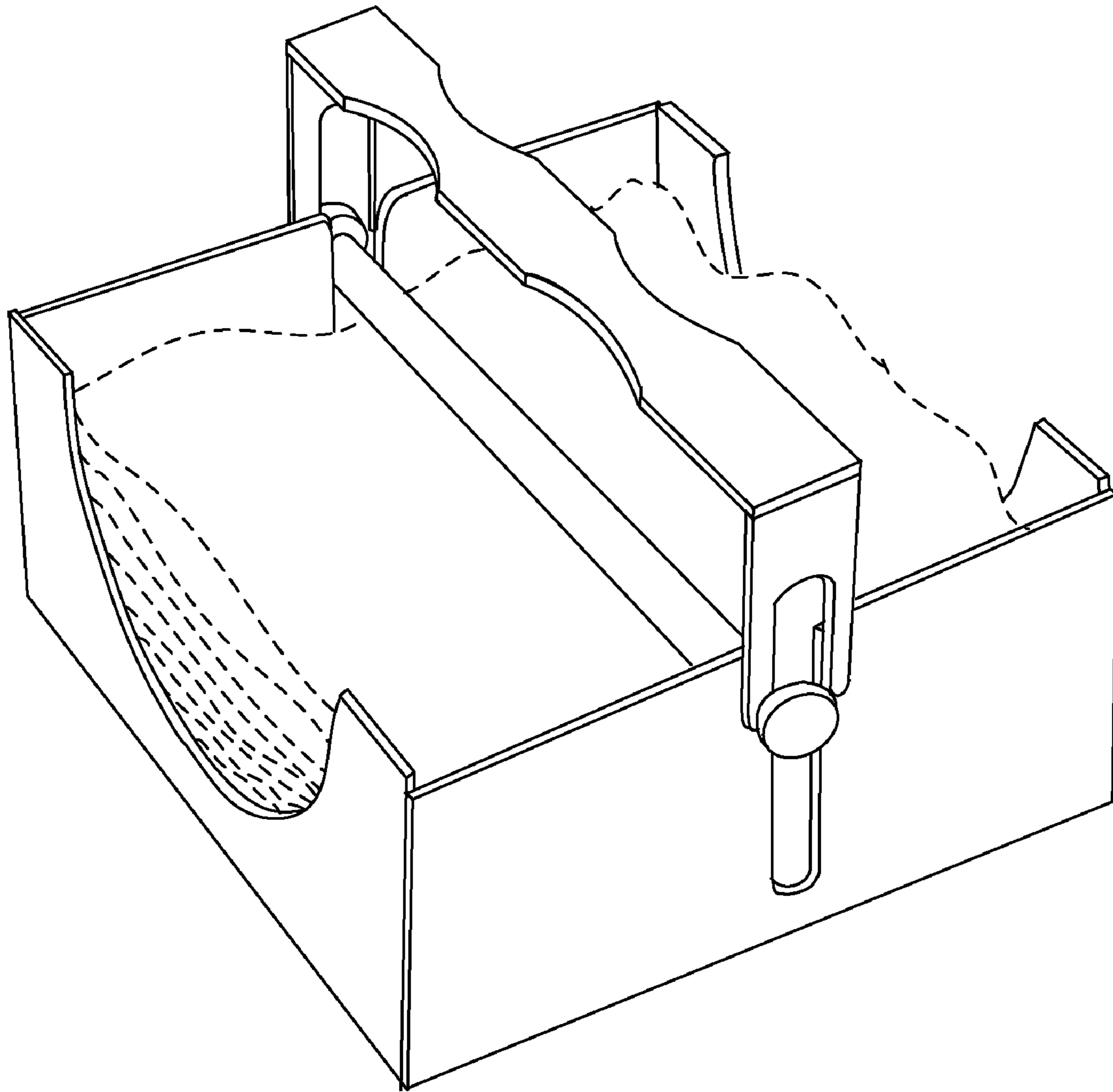


FIG. 2

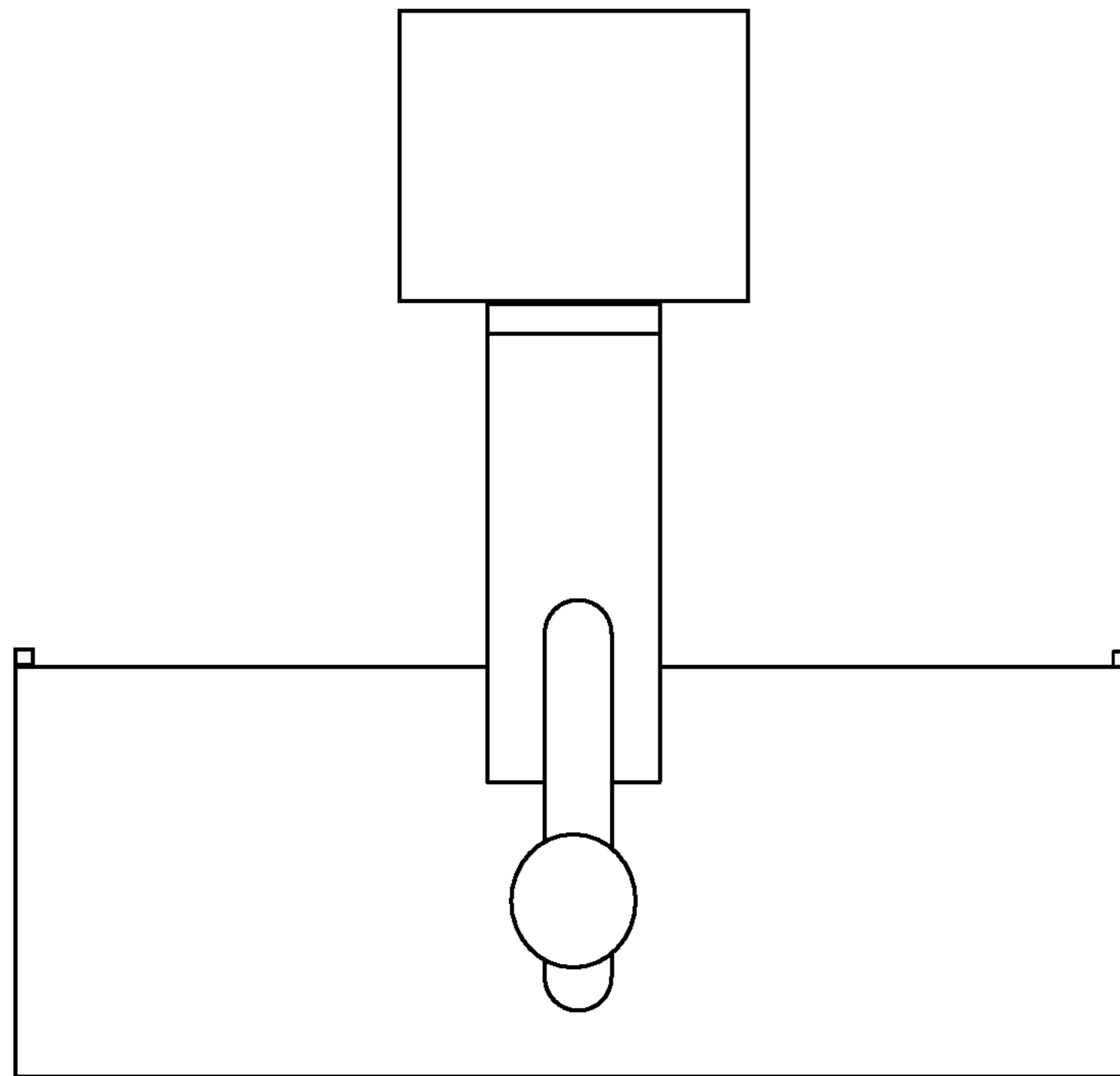


FIG. 3

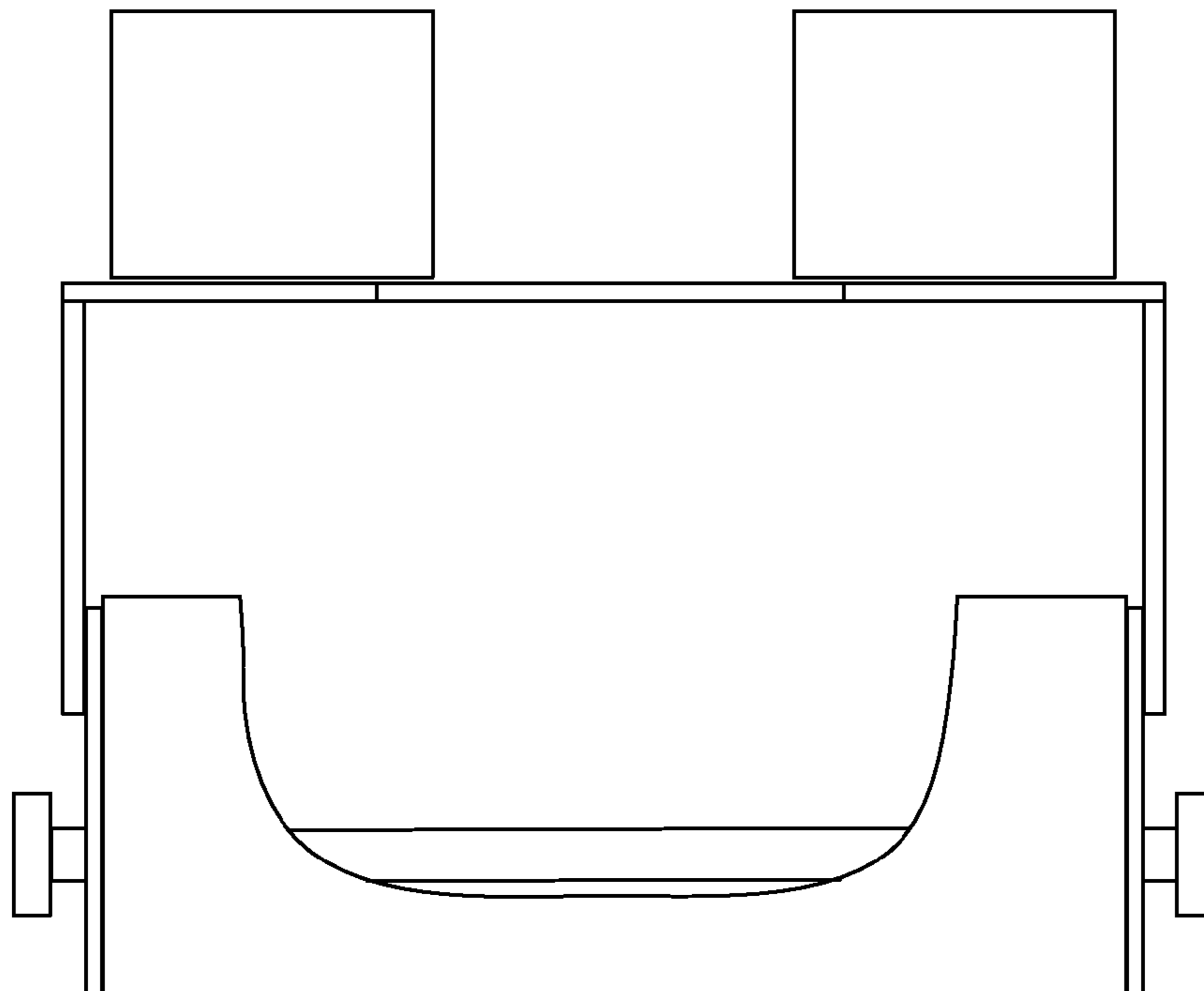


FIG. 4

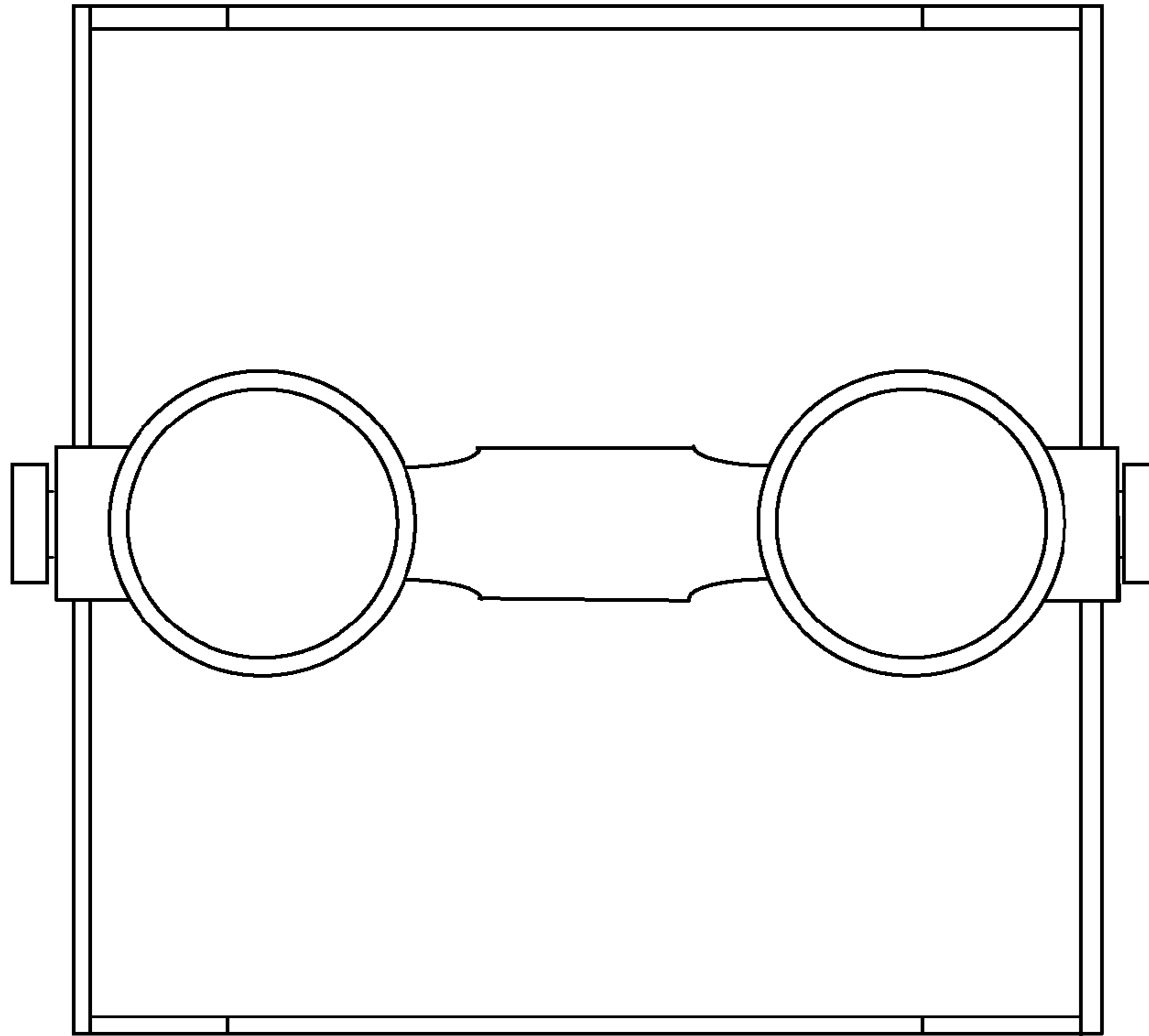


FIG. 5

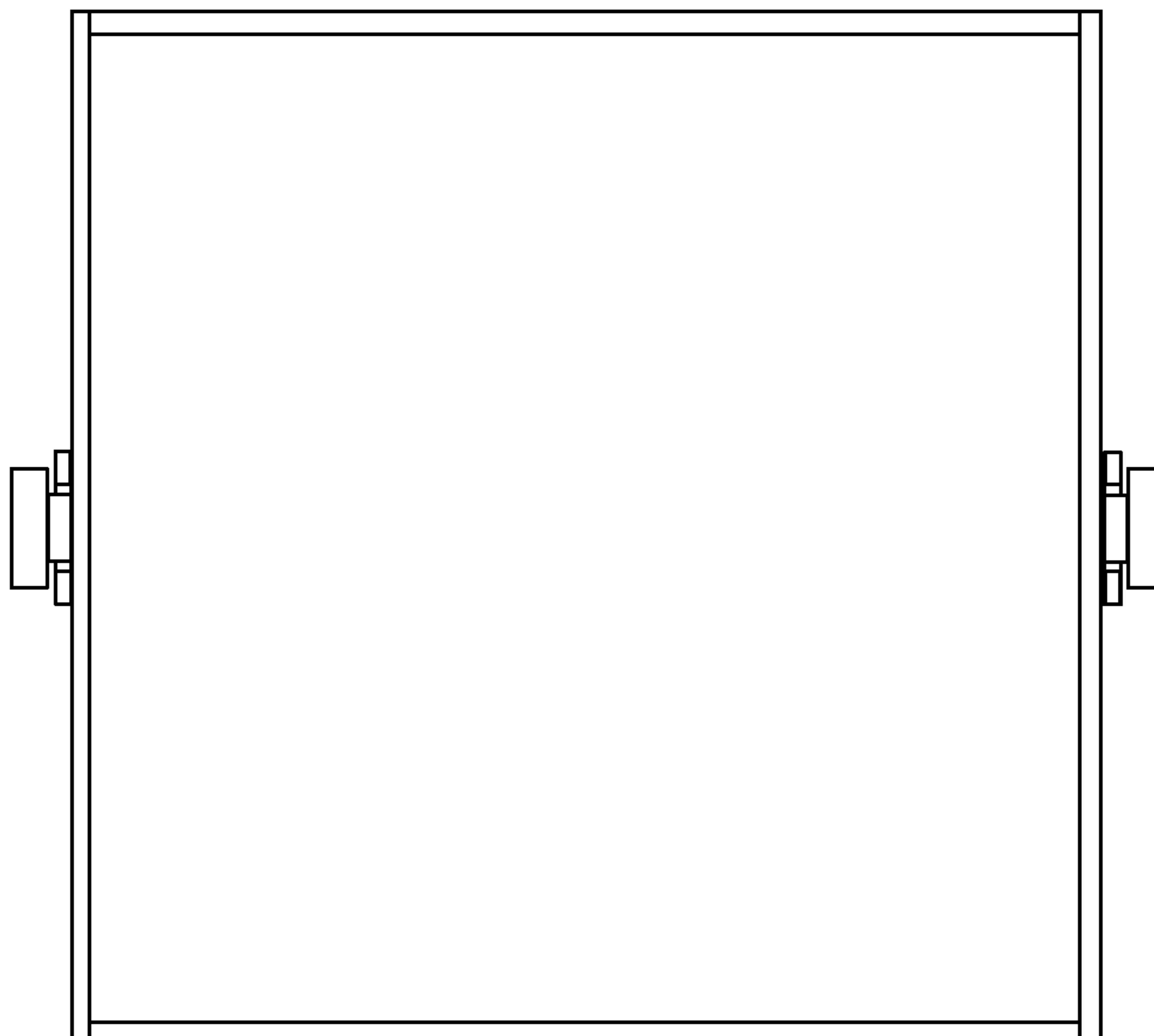


FIG. 6

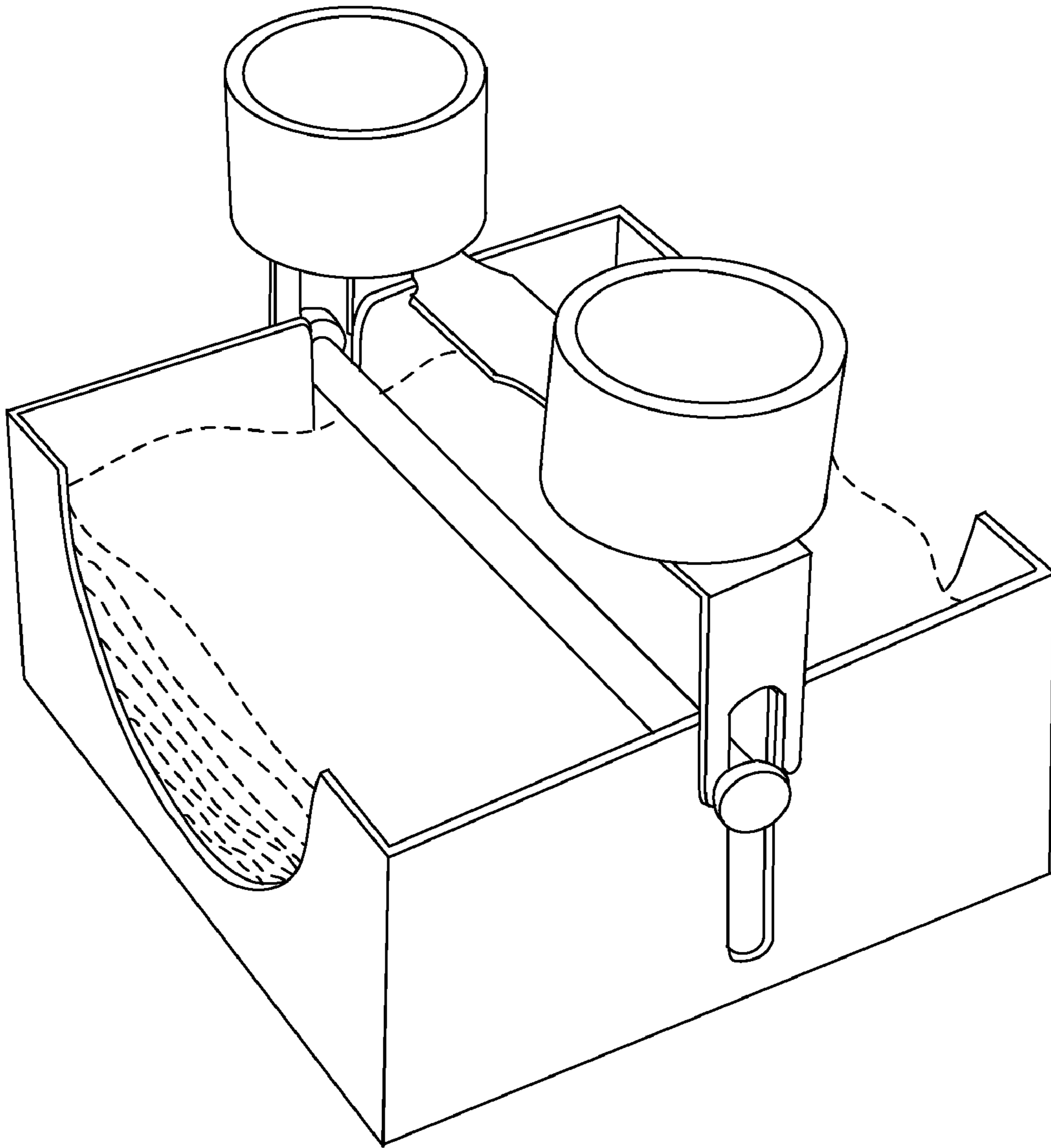


FIG. 7

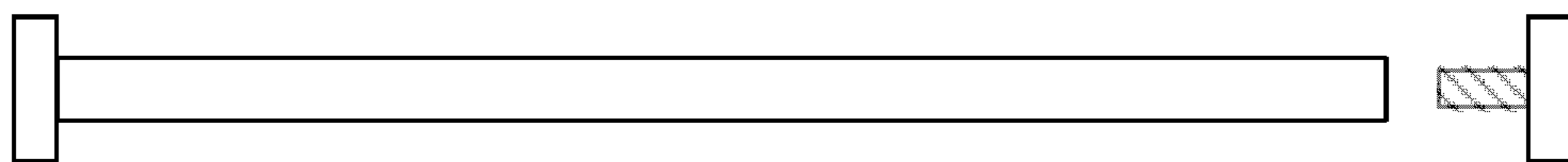


FIG. 8

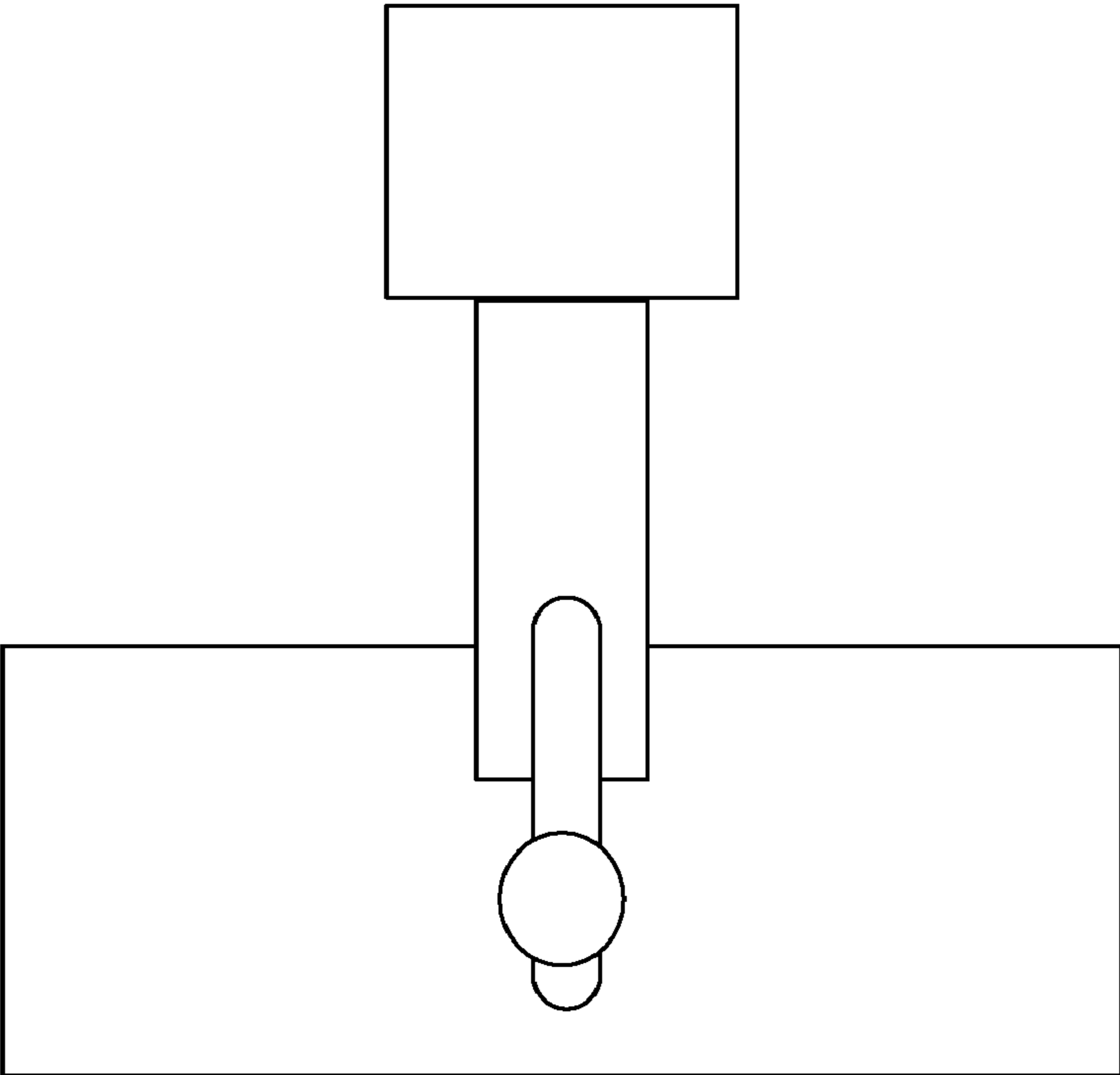


FIG. 9

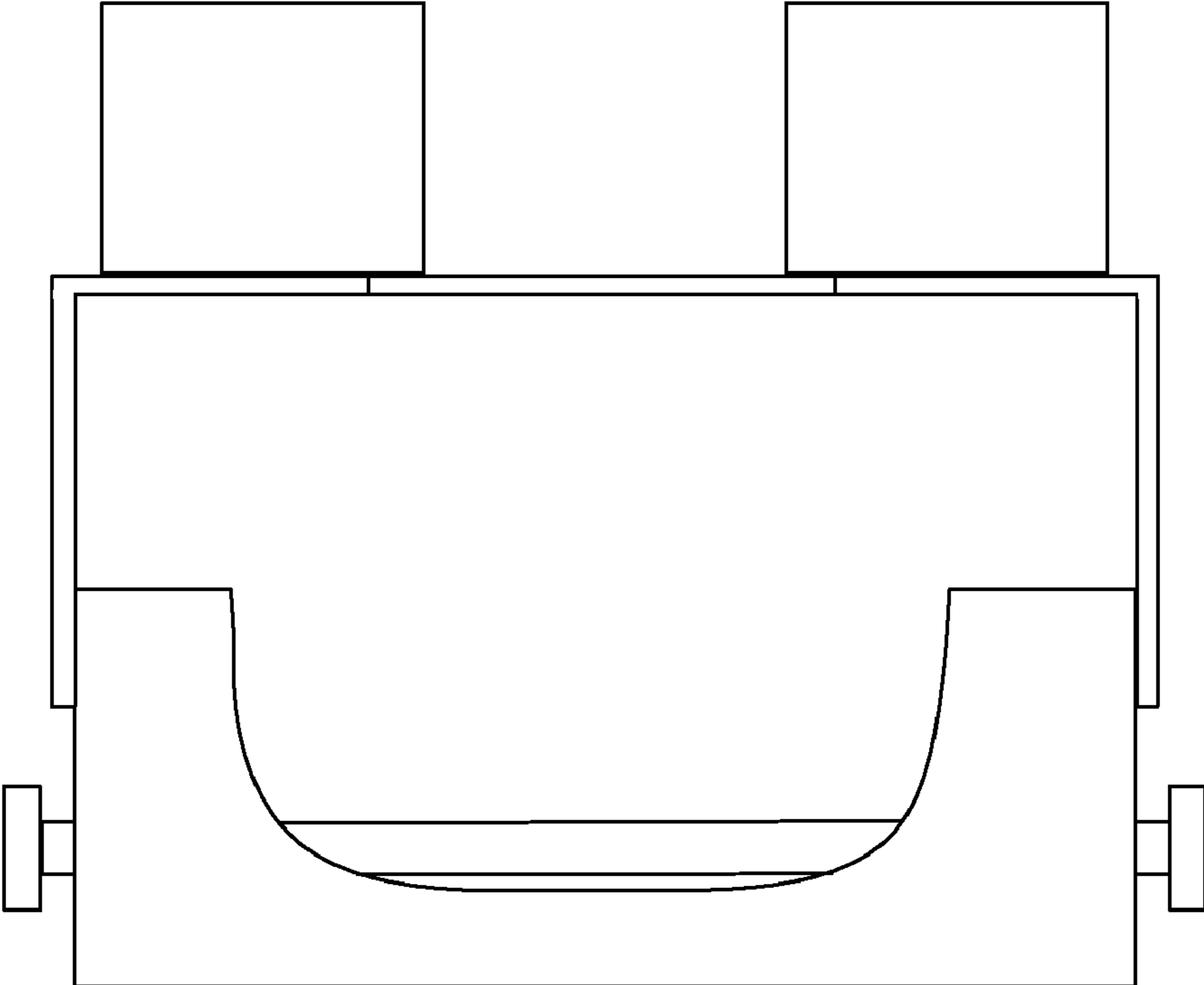


FIG. 10

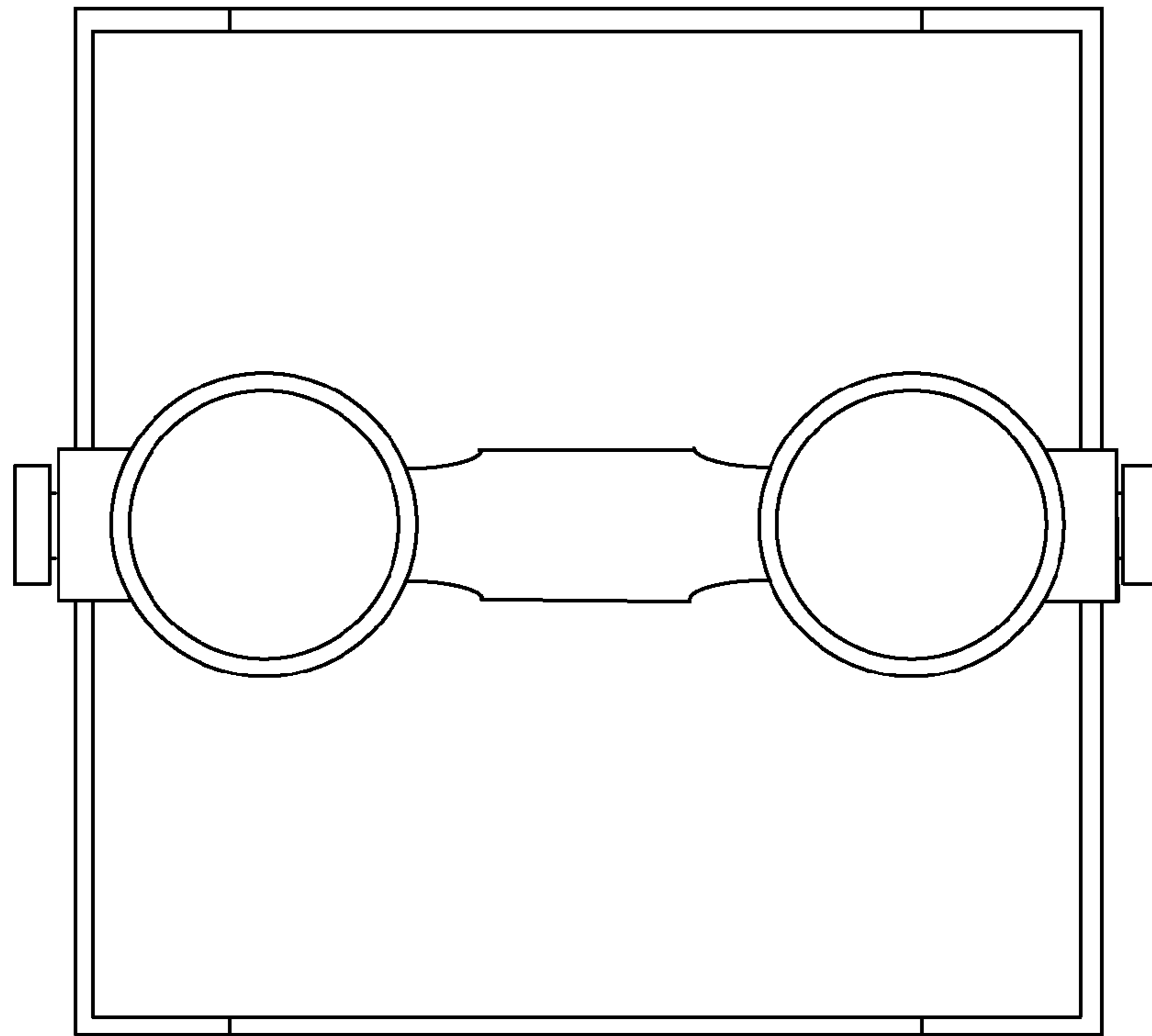


FIG. 11

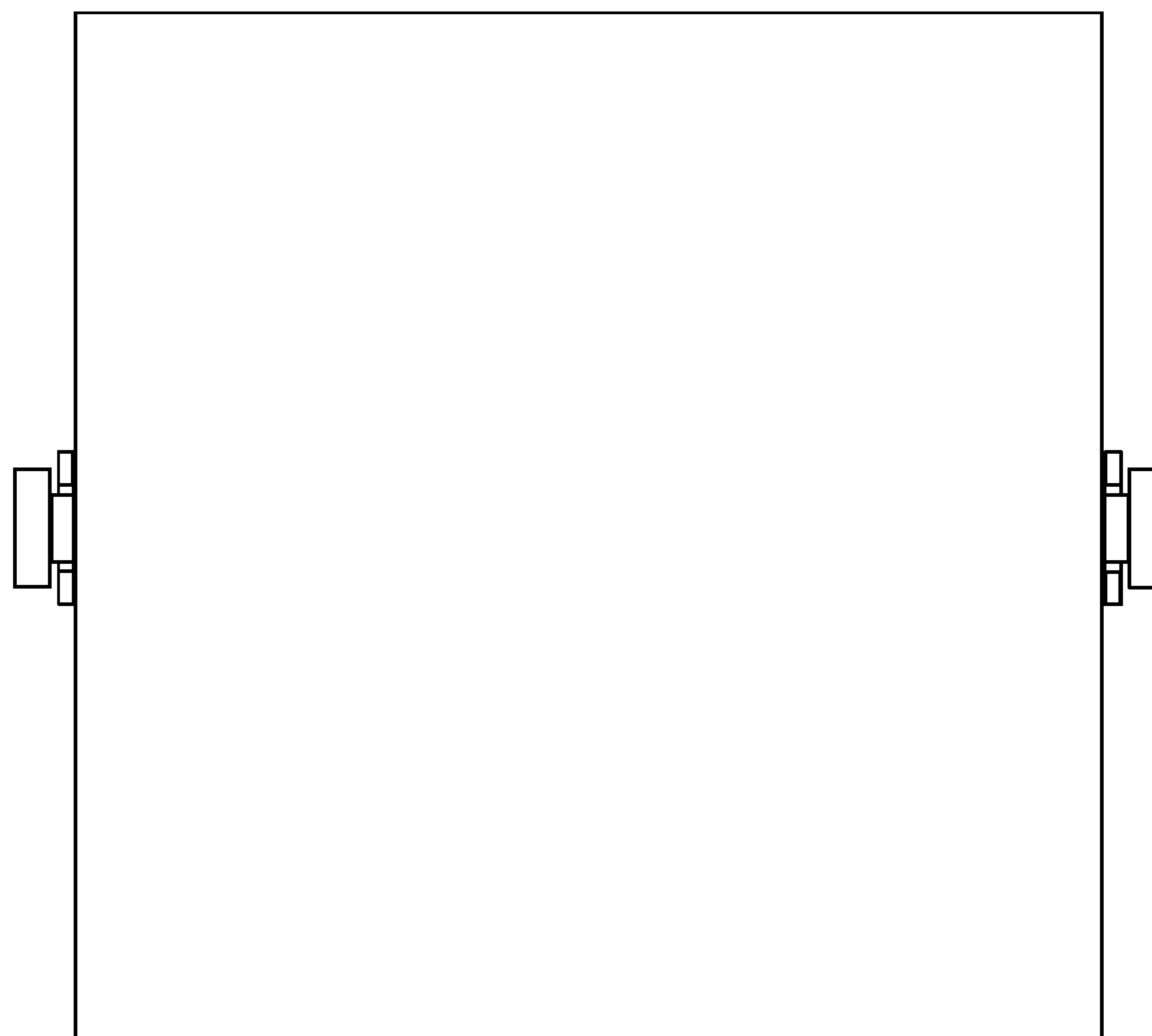


FIG. 12