



US00D588873S

(12) **United States Design Patent**
Schiettecatte et al.

(10) **Patent No.:** **US D588,873 S**
(45) **Date of Patent:** **** Mar. 24, 2009**

(54) **HOLDER**

(76) Inventors: **Philippe Schiettecatte**, Oudestraat 50,
3190 Boortmeerbeerk (BE); **Carl**
DeRooster, Donkstratt 58, 3150 Haacht
(BE)

(**) Term: **14 Years**

(21) Appl. No.: **29/294,082**

(22) Filed: **Dec. 21, 2007**

(51) **LOC (9) Cl.** **07-06**

(52) **U.S. Cl.** **D7/620**

(58) **Field of Classification Search** D7/619.1-625,
D7/701-708; D6/417; 211/74; 248/87,
248/146, 151, 160, 156, 309.1, 311.1, 311.2;
47/47, 41.14

See application file for complete search history.

(56) **References Cited**

U.S. PATENT DOCUMENTS

2,506,321	A *	5/1950	Vosburgh	248/156
2,520,818	A *	8/1950	Terry	248/156
2,574,441	A *	11/1951	Stewart	248/87
5,570,863	A *	11/1996	Cooper	248/146
D377,874	S *	2/1997	Wright	D6/455
D518,390	S *	4/2006	Poffenberger	D10/46.1

* cited by examiner

Primary Examiner—Terry A Wallace
(74) *Attorney, Agent, or Firm*—Kirschstein, et al.

(57) **CLAIM**

The ornamental design for a holder, as shown and described.

DESCRIPTION

FIG. 1 is a perspective view of an embodiment of a holder in accordance with our design;

FIG. 2 is a top plan view of the embodiment of FIG. 1;

FIG. 3 is a right elevational view of the embodiment of FIG. 1;

FIG. 4 is a left elevational view of the embodiment of FIG. 1;

FIG. 5 is a bottom plan view of the embodiment of FIG. 1;

FIG. 6 is a perspective view of the embodiment of FIG. 1 in an adjusted position;

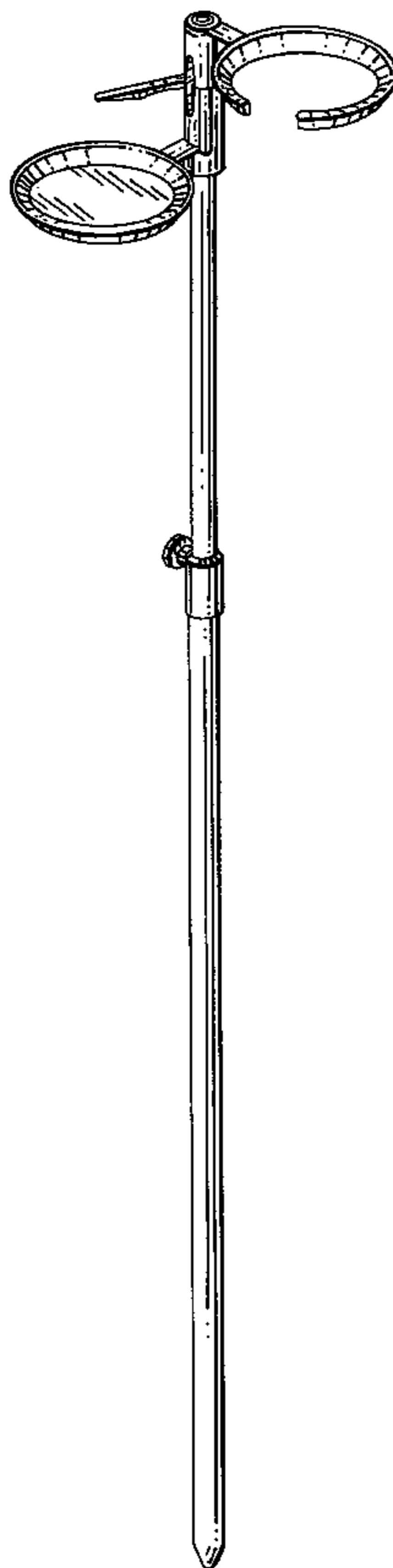
FIG. 7 is a perspective view of another embodiment of a holder in accordance with our design;

FIG. 8 is a perspective view of the embodiment of FIG. 7 in an adjusted position;

FIG. 9 is a perspective view of still another embodiment of a holder according to our new design; and,

FIG. 10 is a perspective view of the embodiment of FIG. 9 in an adjusted position.

1 Claim, 8 Drawing Sheets



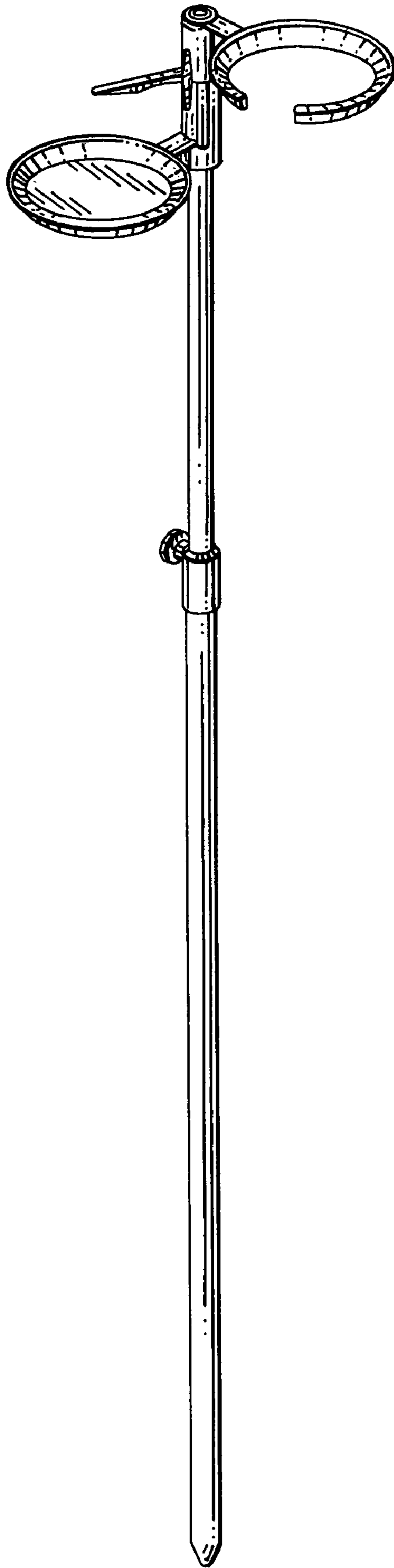


FIG. 1

FIG. 2

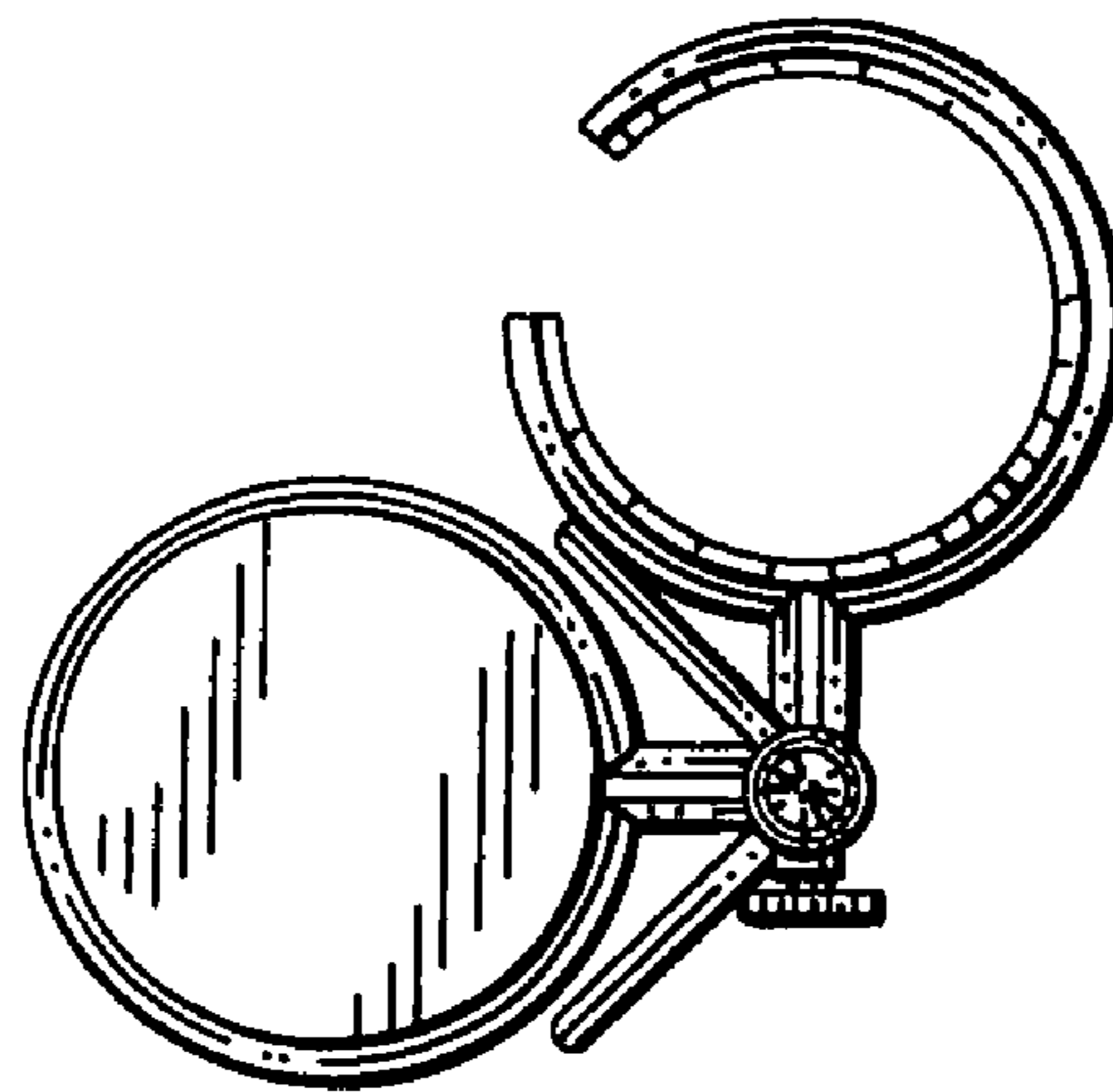
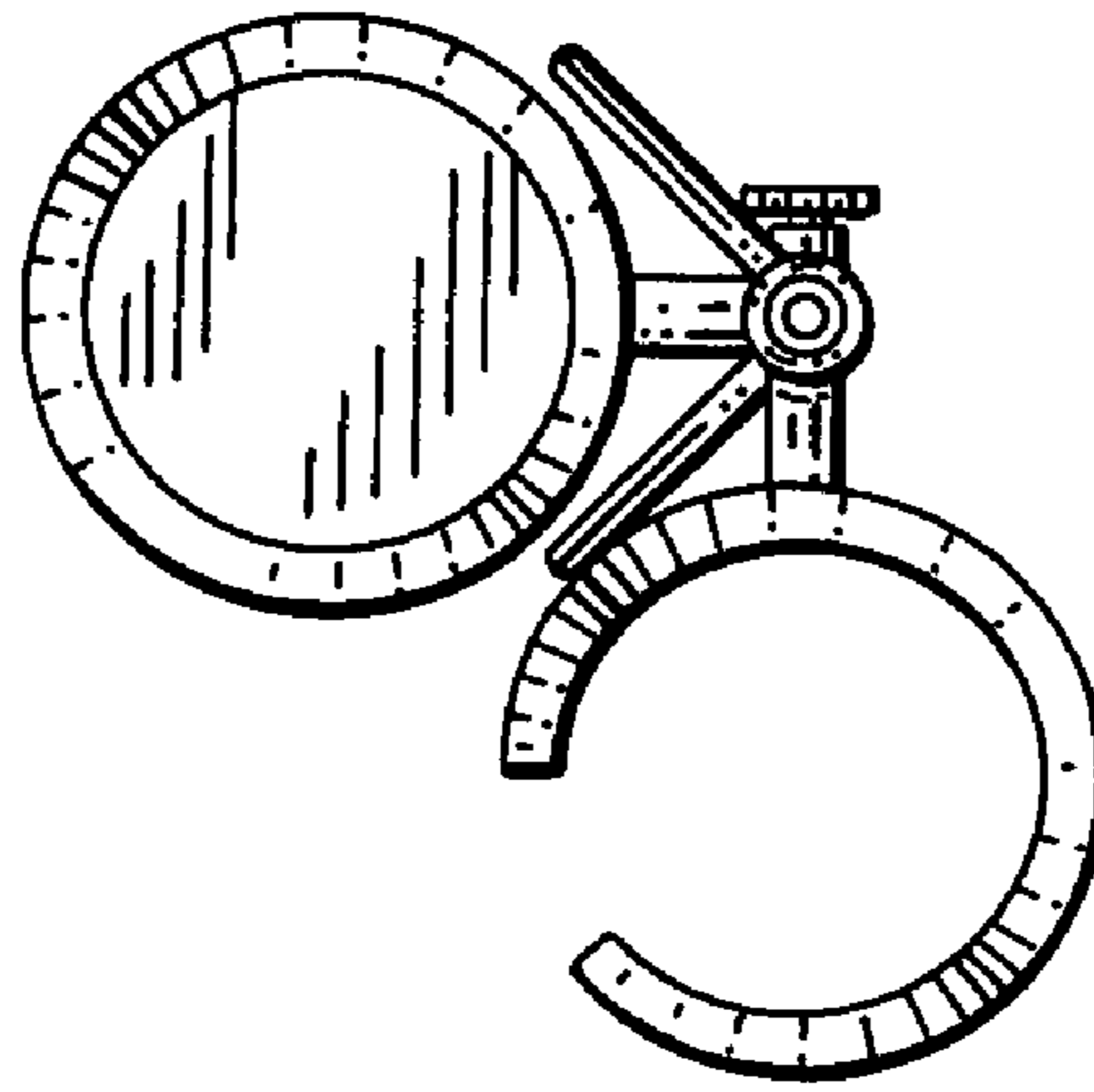


FIG. 5

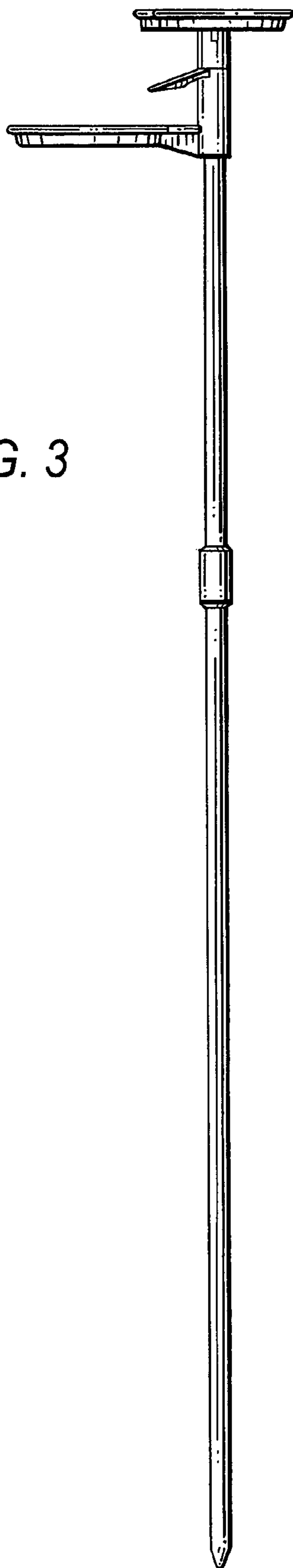


FIG. 3

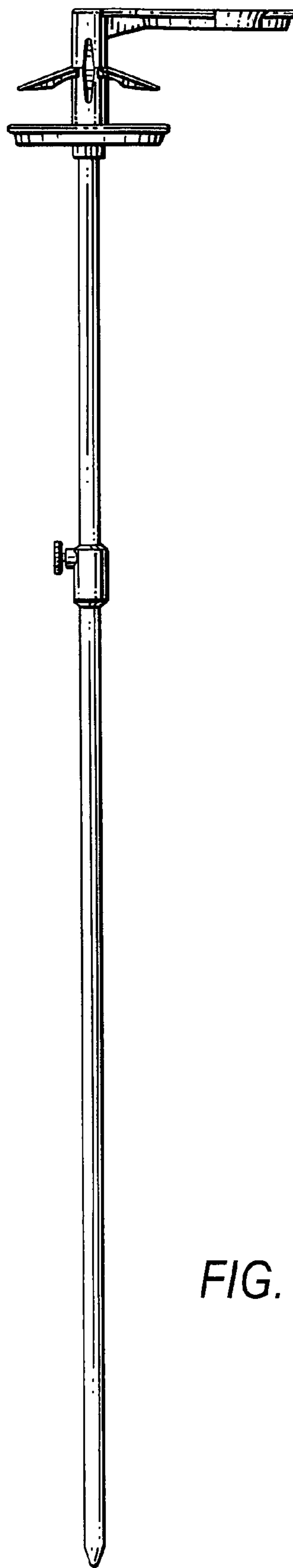
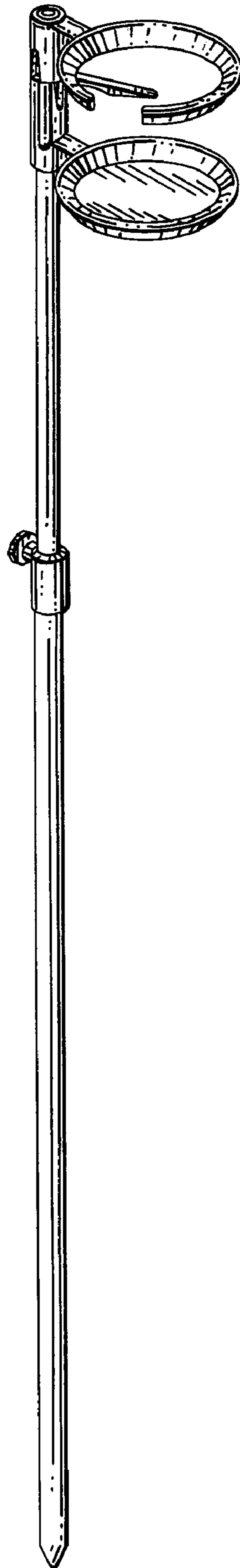


FIG. 4

FIG. 6



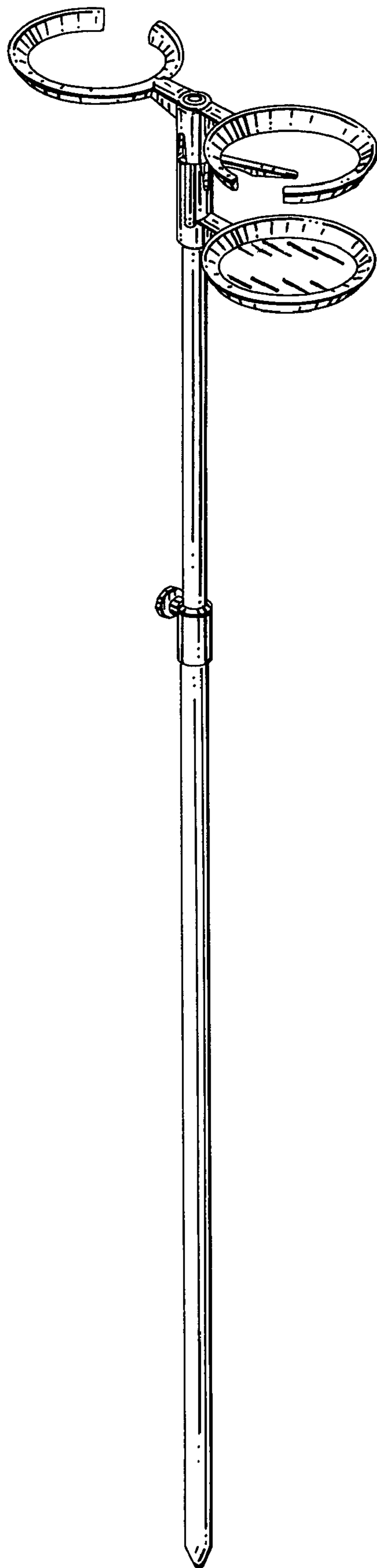


FIG. 7

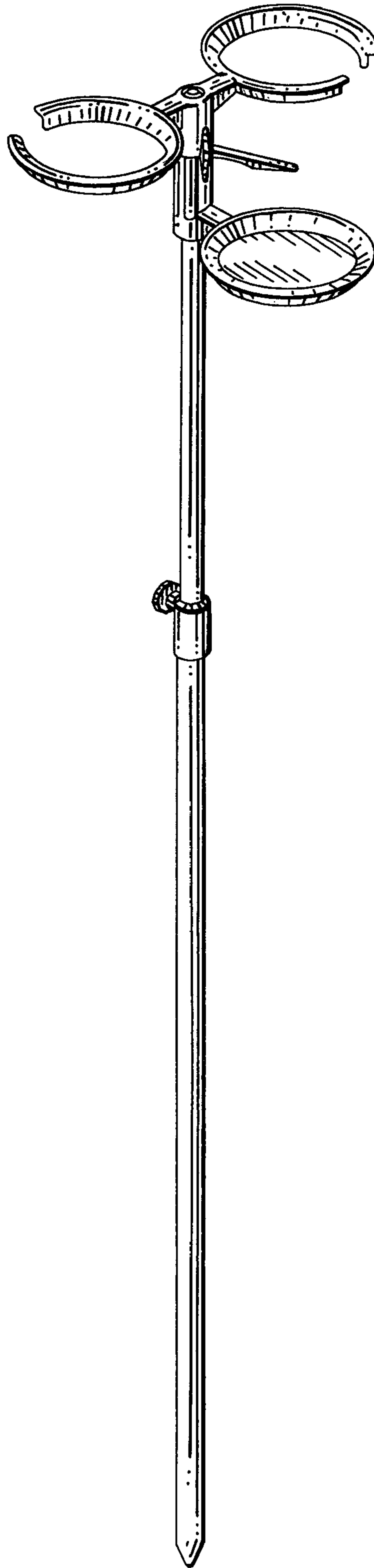


FIG. 8

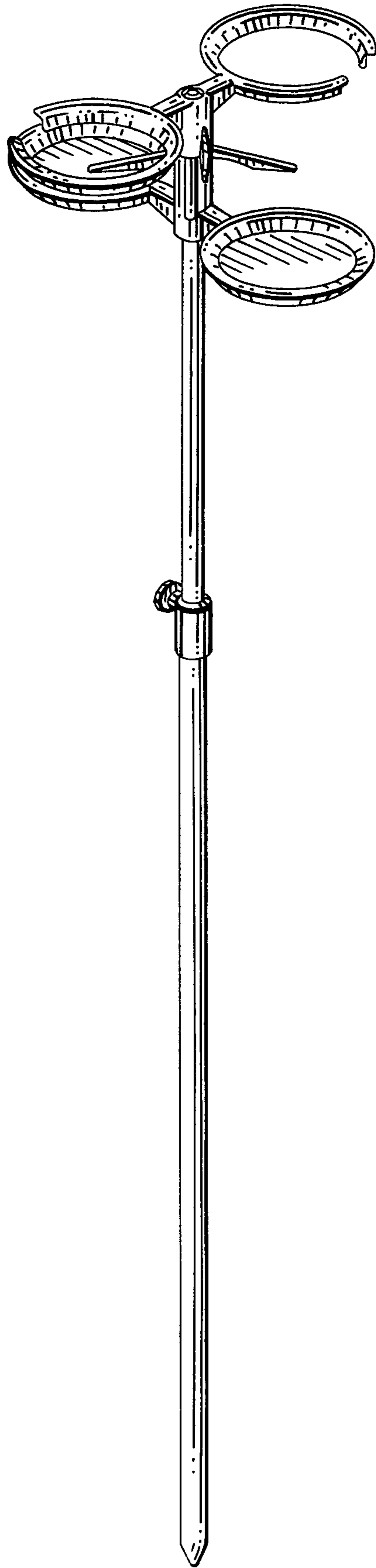


FIG. 9

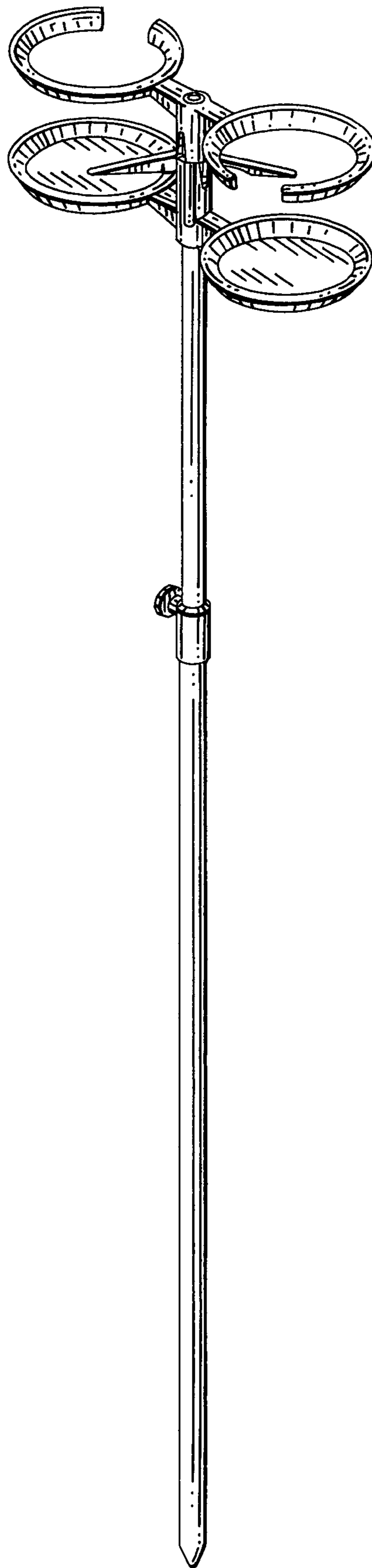


FIG. 10