



US00D588869S

(12) **United States Design Patent**  
**Rasmussen**

(10) **Patent No.:** **US D588,869 S**  
(45) **Date of Patent:** **\*\* Mar. 24, 2009**

(54) **COUPLING FOR A DRAFT BEER SYSTEM**

(75) Inventor: **Jan N. Rasmussen, Ølstykke (DK)**

(73) Assignee: **Carlsberg Breweries A/S, Copenhagen V (DK)**

(\*\*) Term: **14 Years**

(21) Appl. No.: **29/284,448**

(22) Filed: **Sep. 7, 2007**

(30) **Foreign Application Priority Data**

Mar. 14, 2007 (EM) ..... 000688379

(51) **LOC (9) Cl.** ..... **07-01**

(52) **U.S. Cl.** ..... **D7/398; D7/397; D7/387**

(58) **Field of Classification Search** ..... 426/115,  
426/120; 222/456, 158, 424.5; D7/538,  
D7/397, 398, 553.1, 553.5, 300, 309, 387,  
D7/400, 213; D15/126; D23/262; D8/307,  
D8/310; D34/39

See application file for complete search history.

(56) **References Cited**

**U.S. PATENT DOCUMENTS**

4,787,538 A \* 11/1988 Fattori ..... 222/511  
D320,260 S \* 9/1991 Beaton ..... D23/262  
5,676,050 A \* 10/1997 Beck ..... 99/428  
D432,916 S \* 10/2000 Drinkwater et al. .... D9/447

6,167,921 B1 \* 1/2001 Busick et al. .... 141/18  
D448,974 S \* 10/2001 Hydak et al. .... D7/397  
D453,488 S \* 2/2002 McCauley ..... D11/152  
D472,604 S \* 4/2003 Fritze ..... D23/209  
6,810,788 B2 \* 11/2004 Hale ..... 99/295  
D547,657 S \* 7/2007 Tacchella ..... D9/454  
D569,685 S \* 5/2008 Liu ..... D7/398  
2007/0175335 A1 \* 8/2007 Liverani et al. .... 99/279  
2007/0251955 A1 \* 11/2007 Green ..... 222/185.1

\* cited by examiner

*Primary Examiner*—Philip S Hyder

*Assistant Examiner*—Cynthia Underwood

(74) *Attorney, Agent, or Firm*—Klein, O'Neil & Singh, LLP

(57) **CLAIM**

The ornamental design of a coupling for a draft beer system, as shown.

**DESCRIPTION**

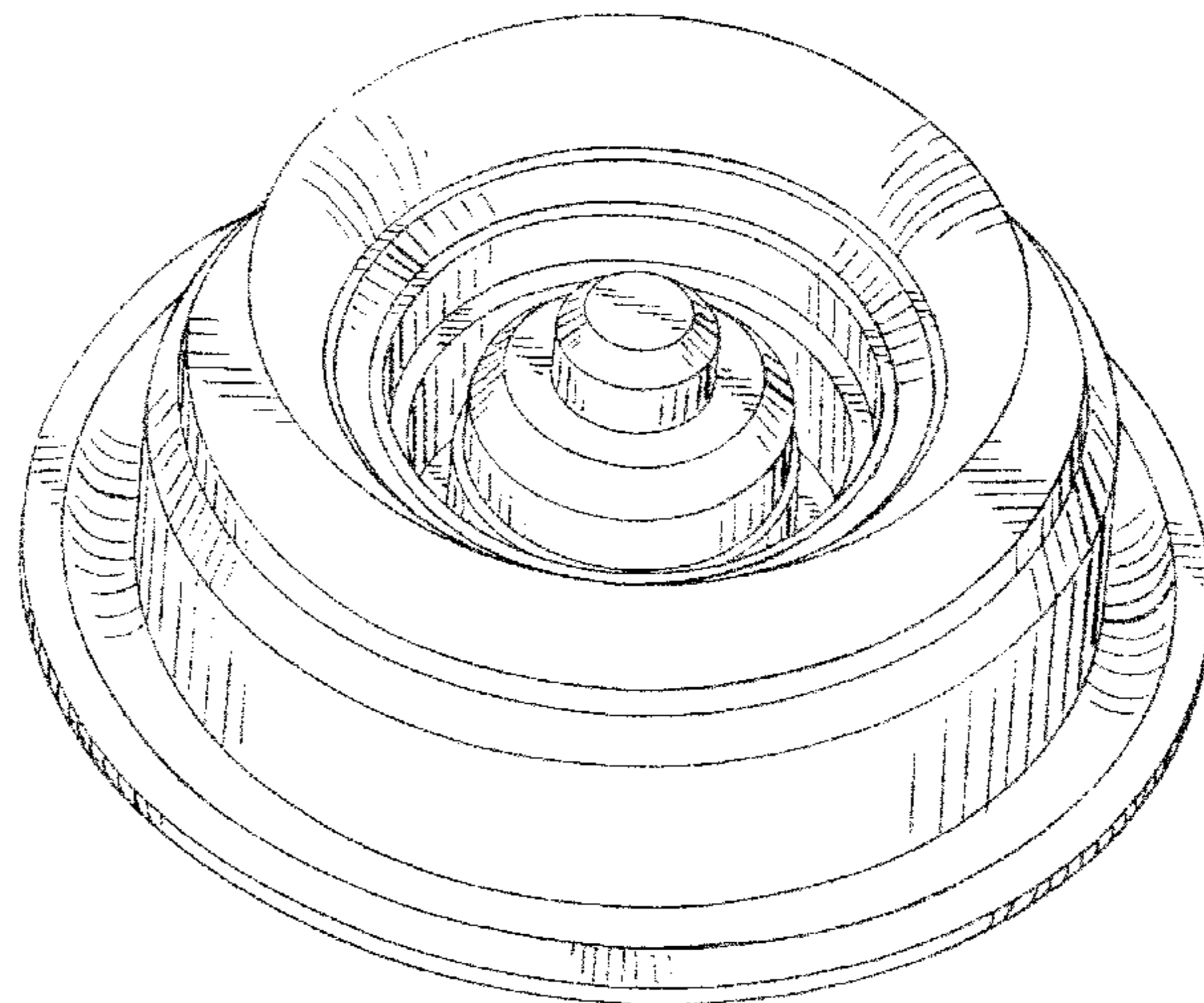
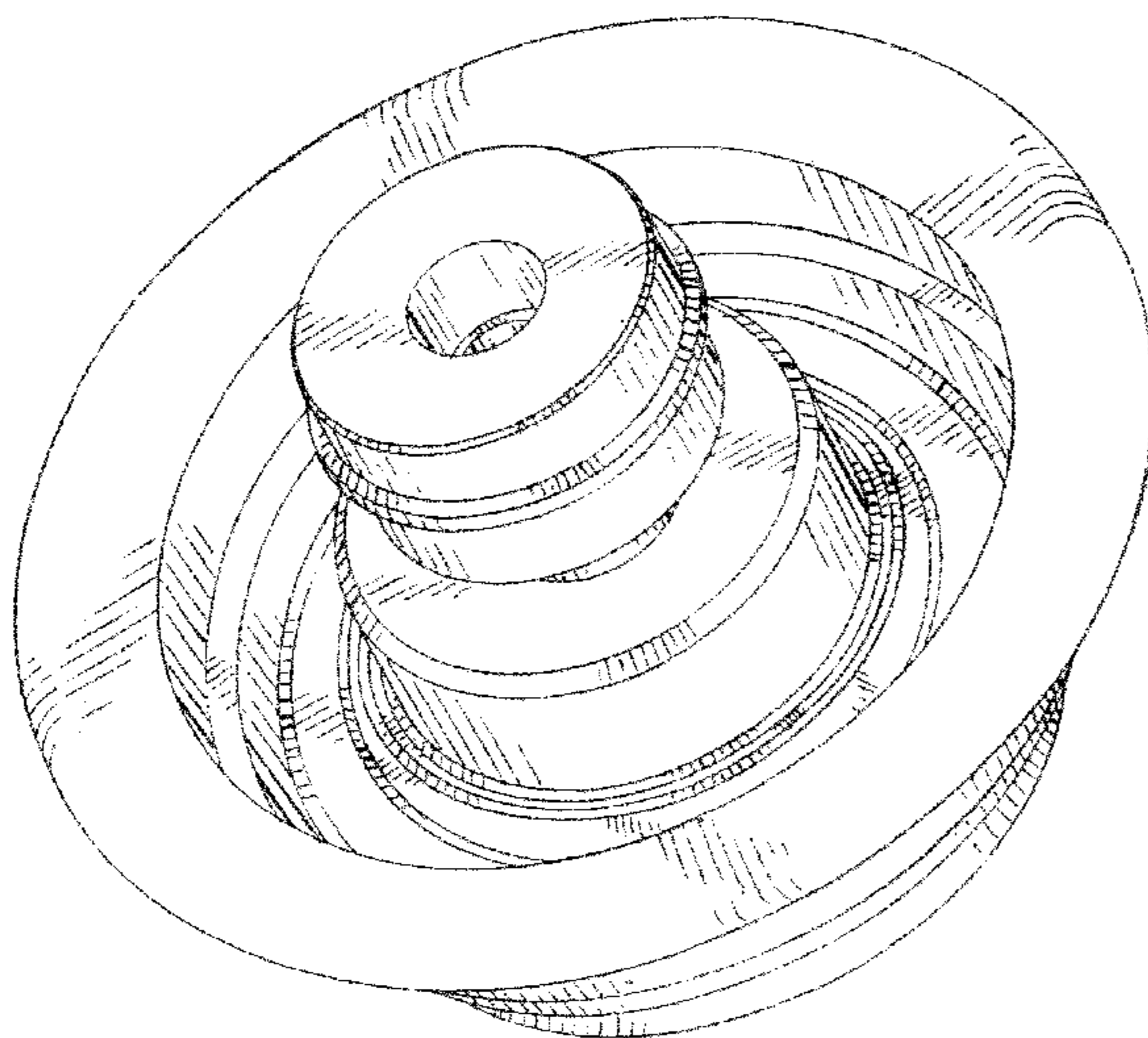
FIG. 1 is a side elevational view of a coupling for a draft beer system, in accordance with my new design;

FIG. 2 is a bottom plan view of the coupling for a draft beer system of FIG. 1.

FIG. 3 is a bottom perspective view of the coupling for a draft beer system of FIG. 1; and,

FIG. 4 is a top perspective view of the coupling for a draft beer system of FIG. 1.

**1 Claim, 2 Drawing Sheets**



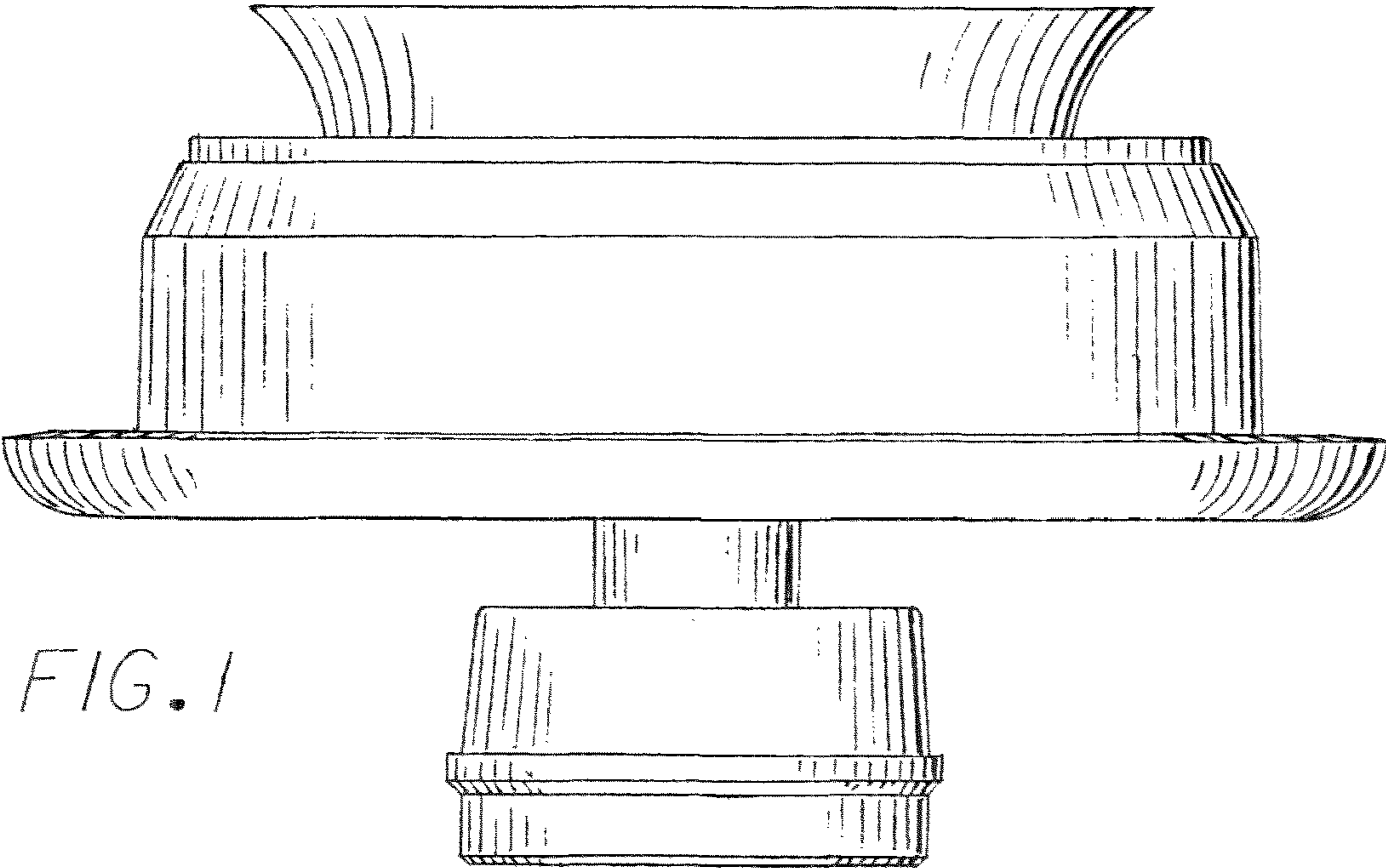


FIG. 1

FIG. 2

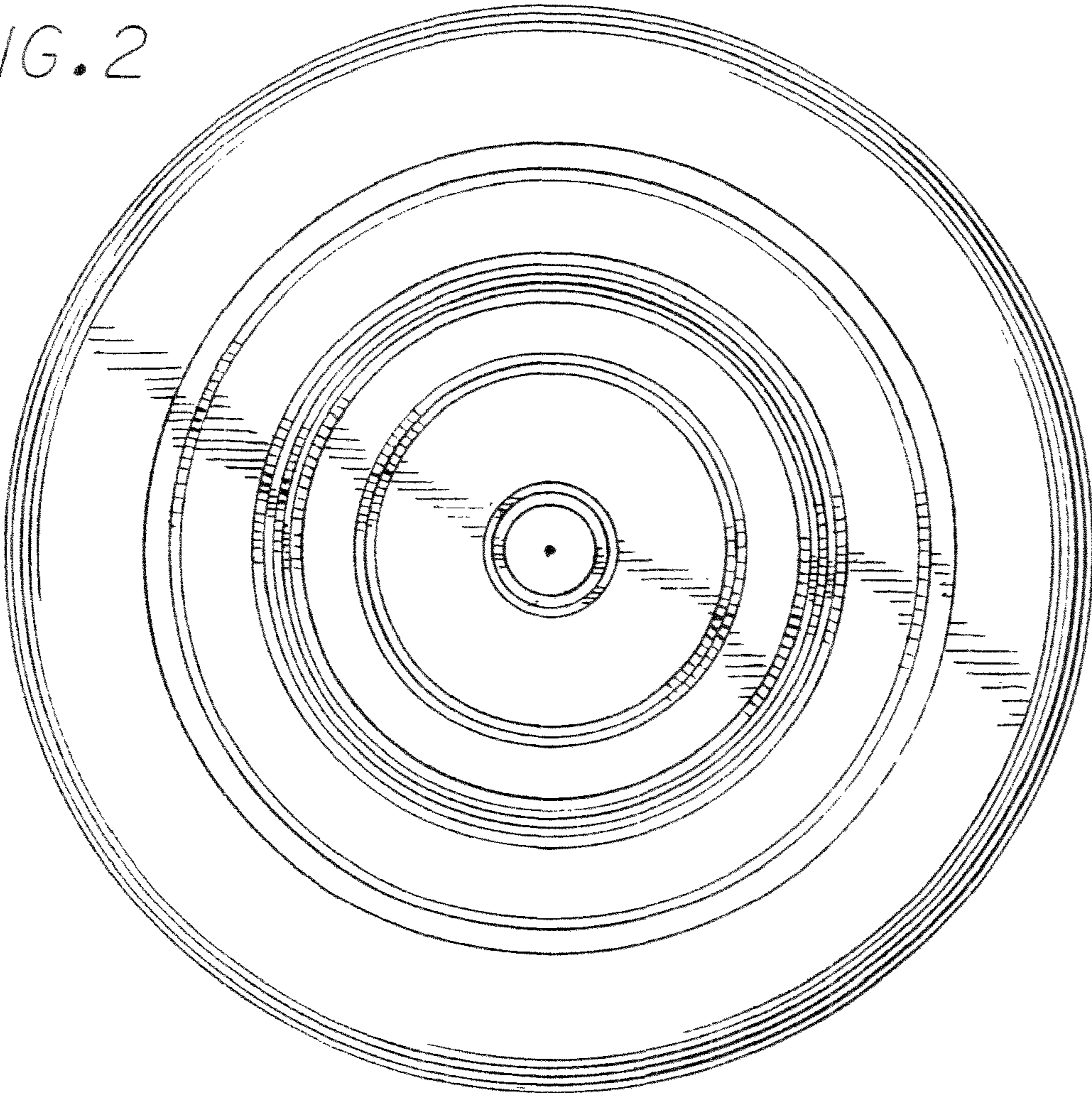


FIG. 3

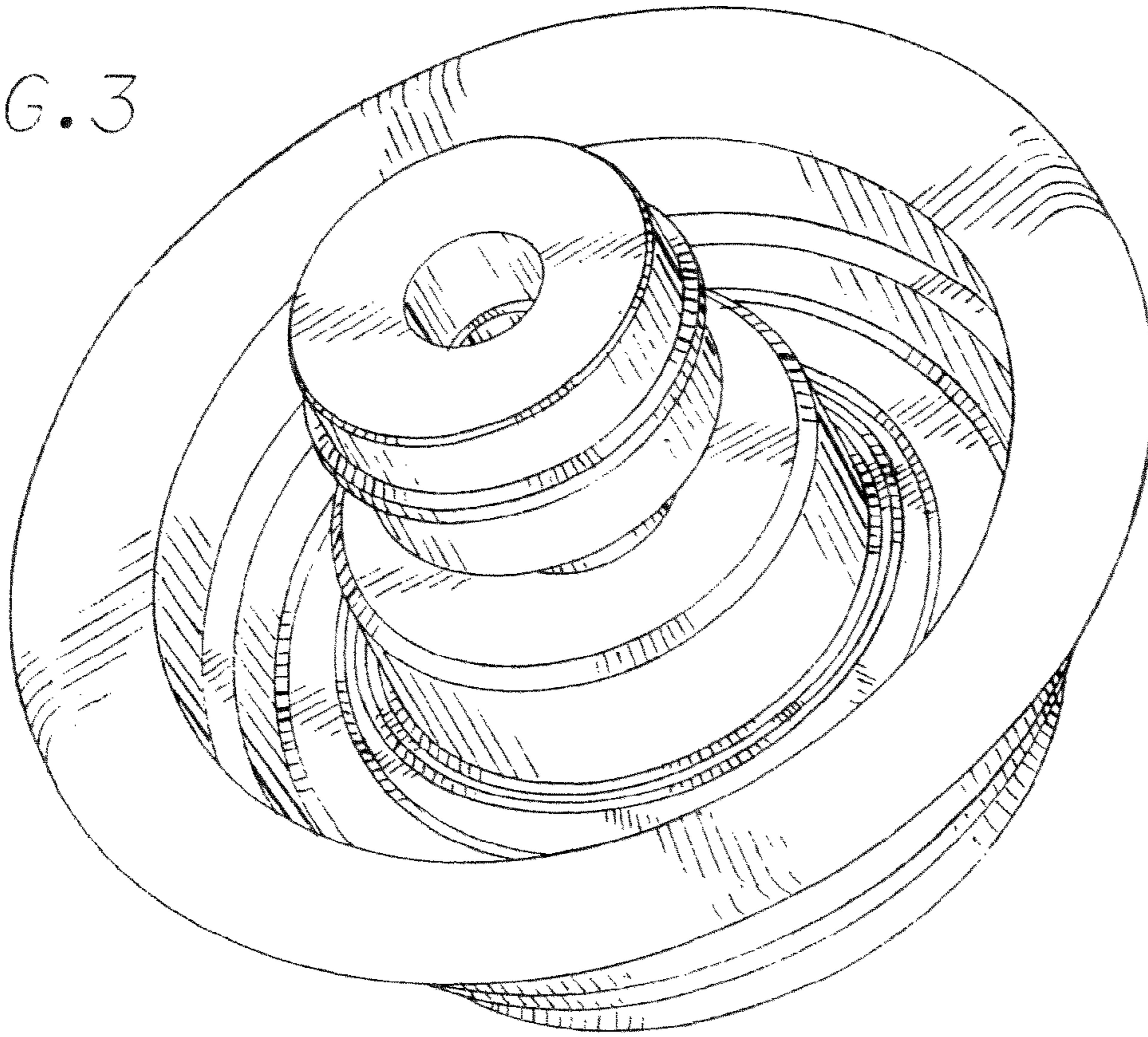


FIG. 4

