



US00D588865S

(12) **United States Design Patent**
Ferraby

(10) **Patent No.:** **US D588,865 S**
(45) **Date of Patent:** **** Mar. 24, 2009**

(54) **HAND HELD KITCHEN APPLIANCE POWER UNIT**

(75) Inventor: **Robin Ferraby**, Hampshire (GB)

(73) Assignee: **Kenwood Limited**, Hampshire (GB)

(**) Term: **14 Years**

(21) Appl. No.: **29/302,783**

(22) Filed: **Jan. 24, 2008**

(30) **Foreign Application Priority Data**

Jul. 27, 2007 (EM) 000765144-0001

(51) **LOC (9) Cl.** **31-00**

(52) **U.S. Cl.** **D7/380**

(58) **Field of Classification Search** D7/317-318,
D7/356, 376-386, 412-415, 665; D8/64;
99/348, 501, 509-511; 222/465.1; 241/30-37.5,
241/101.01-101.2, 166-169.1, 274-278.2,
241/285.1-285.3, 291, 292.1; 310/68 R;
366/64-67, 98, 192, 197-211, 200-207,
366/241-254, 279-292, 341-347; 388/800
See application file for complete search history.

(56) **References Cited**

U.S. PATENT DOCUMENTS

2,179,745 A * 11/1939 Kochner 99/501
2,488,364 A * 11/1949 Zilliotto 388/800
2,687,284 A * 8/1954 Gerber et al. 366/200
2,690,330 A * 9/1954 Ripple 366/251
D174,117 S * 3/1955 Ernest D7/379
D182,424 S * 4/1958 Madl D7/379
3,280,351 A * 10/1966 Wolter et al. 310/68 R

D221,790 S * 9/1971 Franciscus D7/379
D309,081 S * 7/1990 Thomas D7/379
D337,667 S * 7/1993 Lovett D7/379
D453,444 S * 2/2002 Garman D7/379
D523,311 S * 6/2006 Welsh et al. D8/64
D540,115 S * 4/2007 Picozza et al. D7/379

* cited by examiner

Primary Examiner—Joel Sincavage

Assistant Examiner—Ricky Pham

(74) *Attorney, Agent, or Firm*—Martin Fleit; Paul D. Bianco;
Fleit Gibbons Gutman Bongini & Bianco PL

(57) **CLAIM**

I claim the ornamental design for a hand held kitchen appliance power unit, as shown and described.

DESCRIPTION

FIG. 1 is a first side view of a hand held kitchen appliance power unit of the subject invention;

FIG. 2 is a first perspective view of the hand held kitchen appliance power unit of FIG. 1 showing the first side and a portion of the bottom;

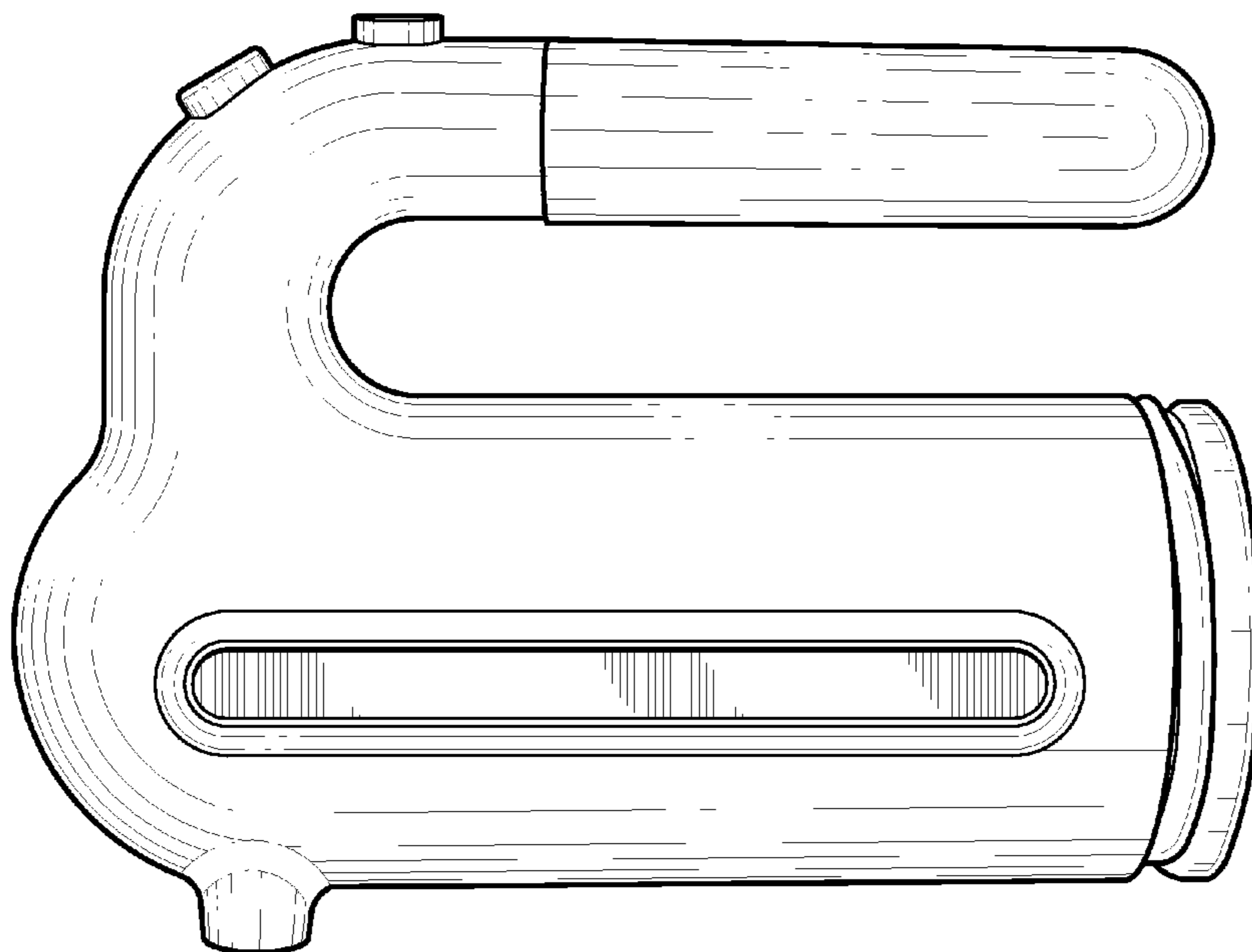
FIG. 3 is a second perspective view of the hand held kitchen appliance power unit of FIG. 1 showing the front and second side;

FIG. 4 is a bottom view of the hand held kitchen appliance power unit of FIG. 1; and,

FIG. 5 is a front view of the hand held kitchen appliance power unit of FIG. 1.

The view not shown (rear view) forms no part of the claimed design.

1 Claim, 5 Drawing Sheets



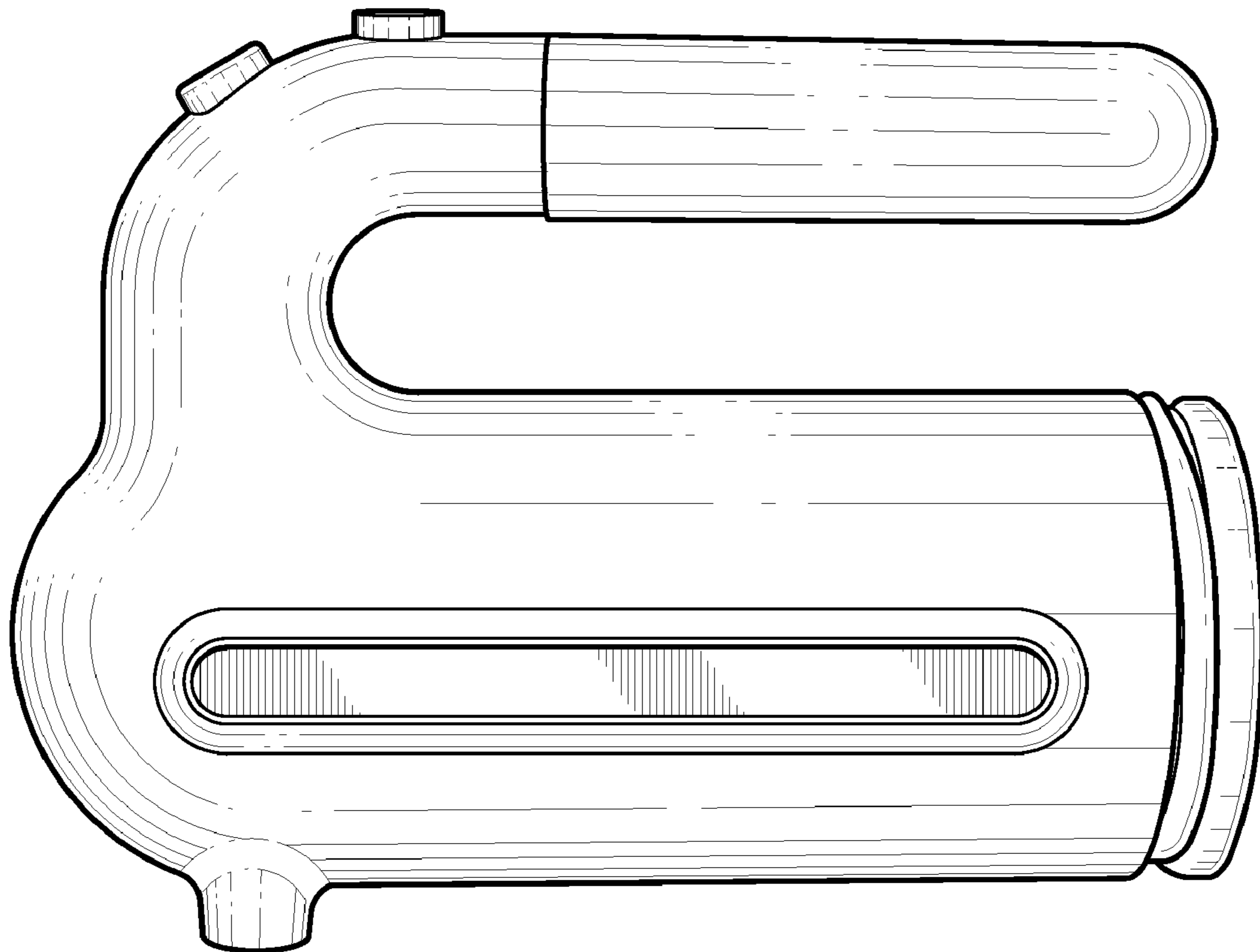


FIG. 1

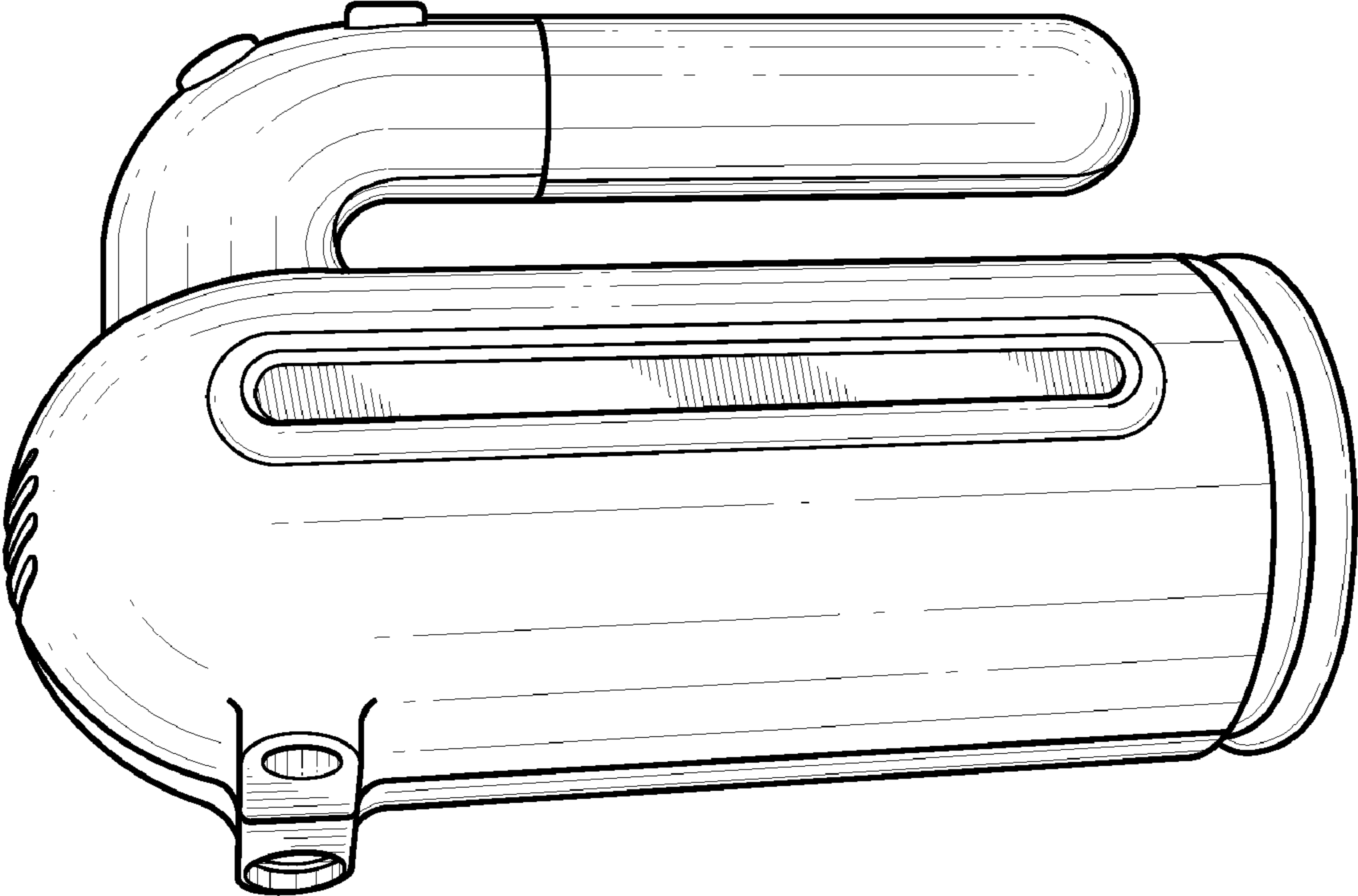


FIG. 2

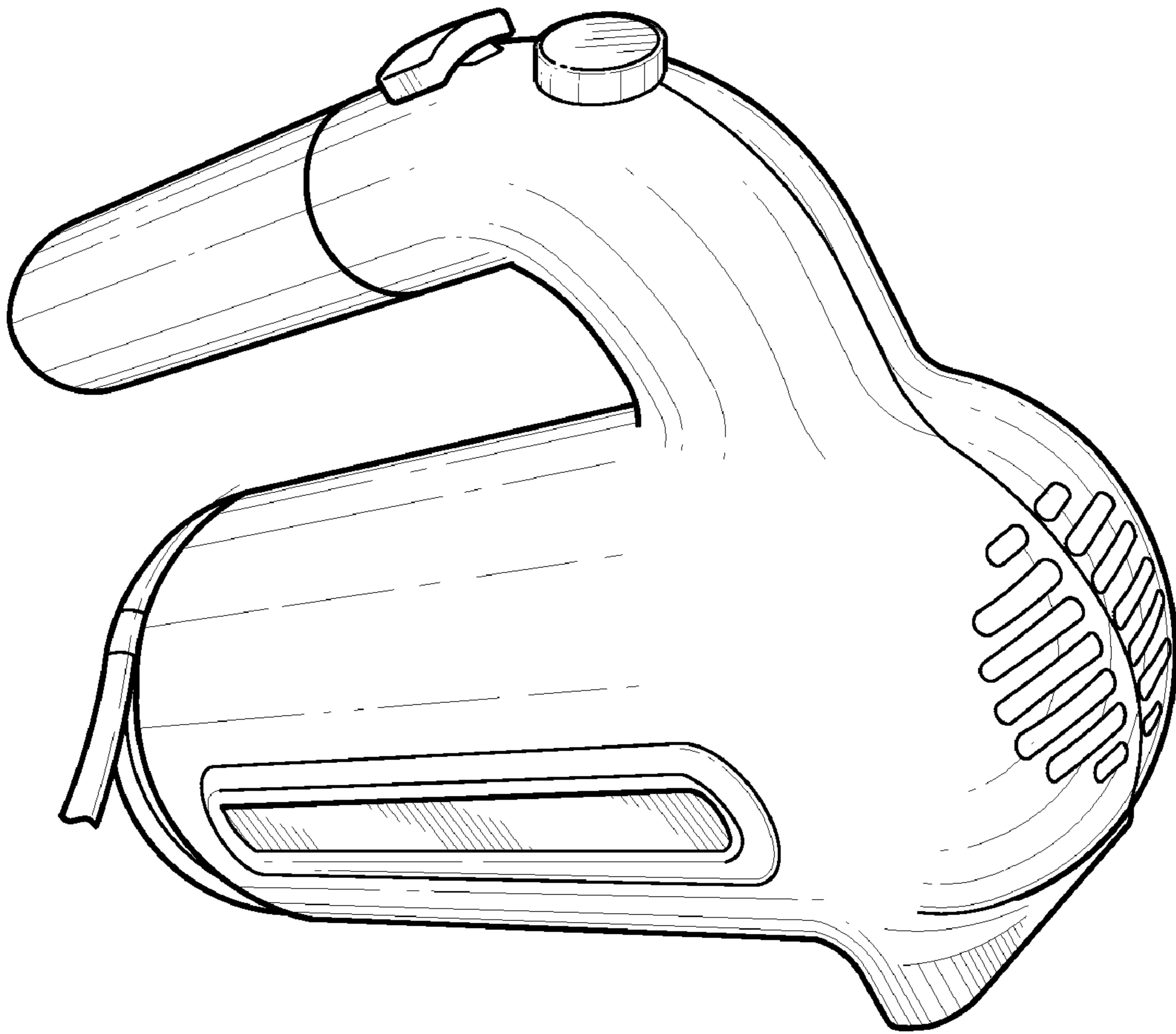


FIG. 3

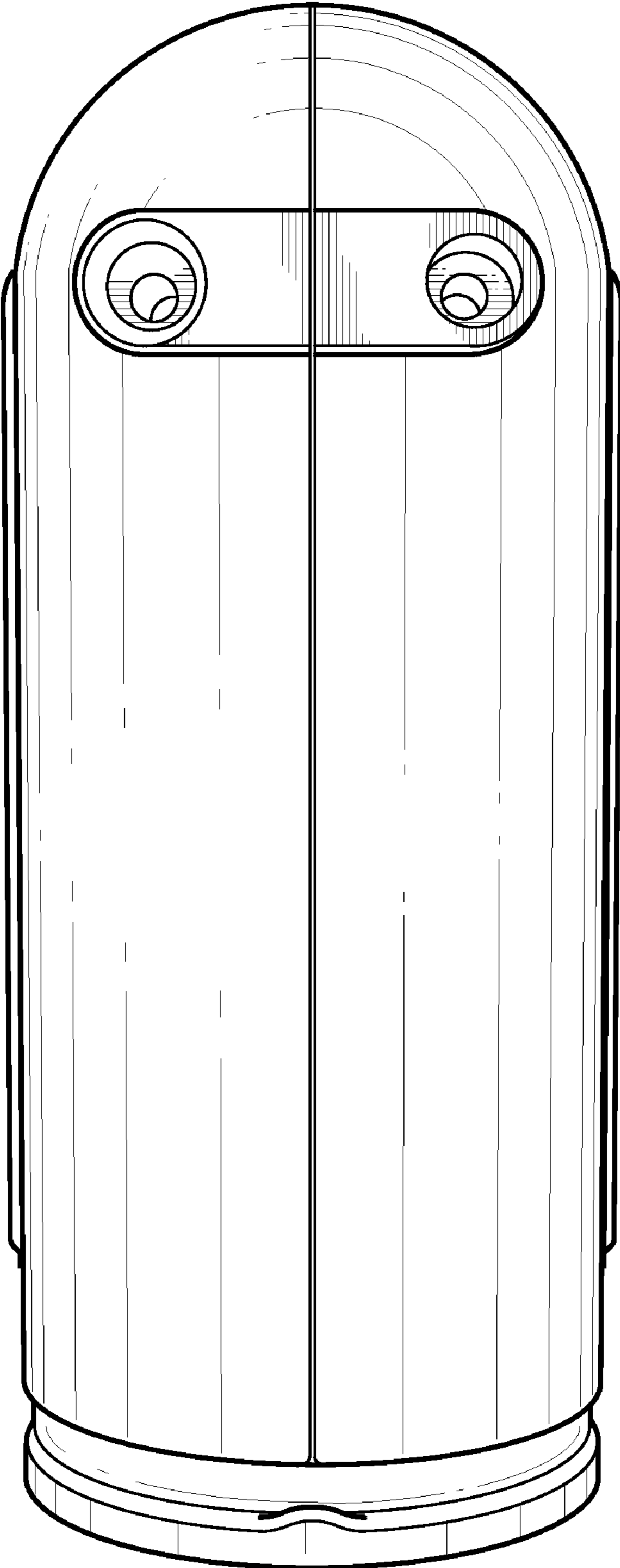


FIG.4

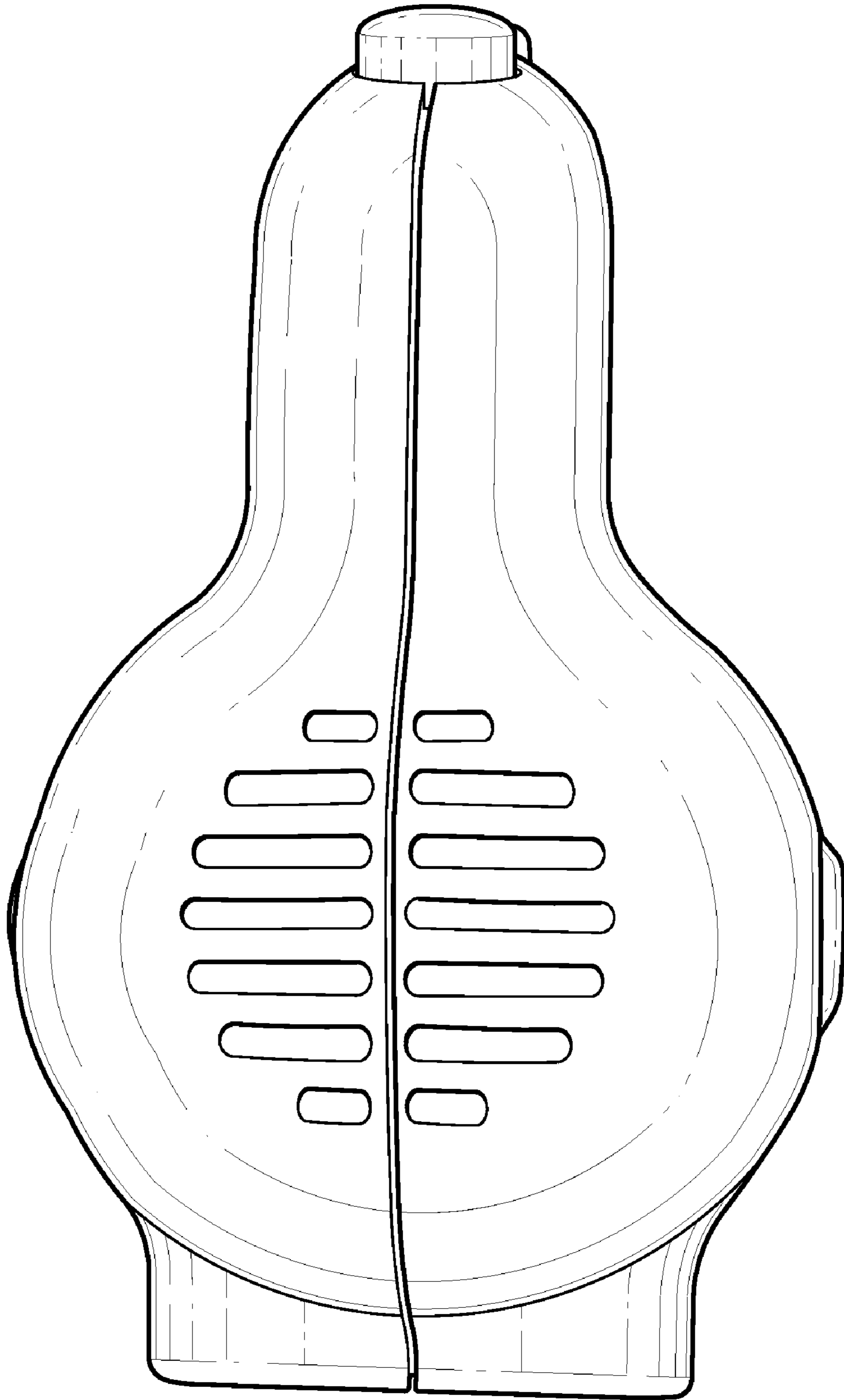


FIG. 5