



US00D588864S

(12) **United States Design Patent**
Sands

(10) **Patent No.:** **US D588,864 S**

(45) **Date of Patent:** **** Mar. 24, 2009**

(54) **BLENDER**

(75) Inventor: **Lenny Sands**, Sherman Oaks, CA (US)

(73) Assignee: **Bullet Express, LLC**, Sherman Oaks, CA (US)

(**) Term: **14 Years**

(21) Appl. No.: **29/312,531**

(22) Filed: **Oct. 28, 2008**

(51) **LOC (9) Cl.** **31-00**

(52) **U.S. Cl.** **D7/378**

(58) **Field of Classification Search** D7/317-318, D7/356, 376-386, 392, 412-415, 665; 99/348, 99/509-512; 241/30-37.5, 92, 101.01-101.2, 241/274-278.2, 281.1-281.2, 285.1-285.3, 241/291, 292.1; 366/64-67, 98, 192, 197-211, 366/205-206, 241-254, 279-292, 341-343
See application file for complete search history.

6,598,518	B2	7/2003	Wong	
6,609,821	B2	8/2003	Wulf et al.	
6,832,543	B2	12/2004	Siano et al.	
D501,370	S *	2/2005	Hensel et al.	D7/665
D506,108	S *	6/2005	Cohen et al.	D7/665
D513,943	S *	1/2006	Hsu	D7/665
D514,396	S *	2/2006	Feil	D7/665
7,040,220	B1 *	5/2006	Cohen et al.	99/511
D522,321	S *	6/2006	Hsu	D7/665
7,066,640	B2	6/2006	Sands	
D526,540	S *	8/2006	Cohen et al.	D7/665
D538,115	S *	3/2007	Lin	D7/665
D538,116	S *	3/2007	Siu	D7/665
7,213,965	B2	5/2007	Daniels, Jr.	
D560,963	S	2/2008	Alzheimer et al.	
D572,092	S *	7/2008	Since	D7/665
2006/0075907	A1 *	4/2006	Hsu	99/511
2007/0107609	A1	5/2007	Barker et al.	

* cited by examiner

Primary Examiner—Caron Veynar

Assistant Examiner—Ricky Pham

(74) *Attorney, Agent, or Firm*—Cislo & Thomas, LLP

(56) **References Cited**

U.S. PATENT DOCUMENTS

4,688,478	A	8/1987	Williams	
4,744,522	A	5/1988	Borgman et al.	
D320,717	S	10/1991	O'Brien	
5,071,077	A	12/1991	Arroubi et al.	
5,405,096	A	4/1995	Seol	
5,460,082	A	10/1995	Kooyker et al.	
5,524,530	A	6/1996	Nijzingh et al.	
5,592,872	A	1/1997	Kooyker et al.	
5,875,706	A	3/1999	Borger et al.	
5,979,806	A	11/1999	Borger et al.	
6,112,649	A	9/2000	Jeong	
6,189,441	B1	2/2001	Beaudet et al.	
D439,808	S *	4/2001	McClean et al.	D7/665
6,299,085	B1	10/2001	Ekstrom	
6,481,342	B2	11/2002	Thackray	
D471,408	S *	3/2003	Fouquet	D7/665
6,536,335	B1	3/2003	Ashworth	

(57) **CLAIM**

The ornamental design for a blender, as shown and described.

DESCRIPTION

FIG. 1 Is a front left perspective view of a blender, showing my new design;

FIG. 2 Is a side view thereof;

FIG. 3 Is a side view thereof;

FIG. 4 Is a front view thereof;

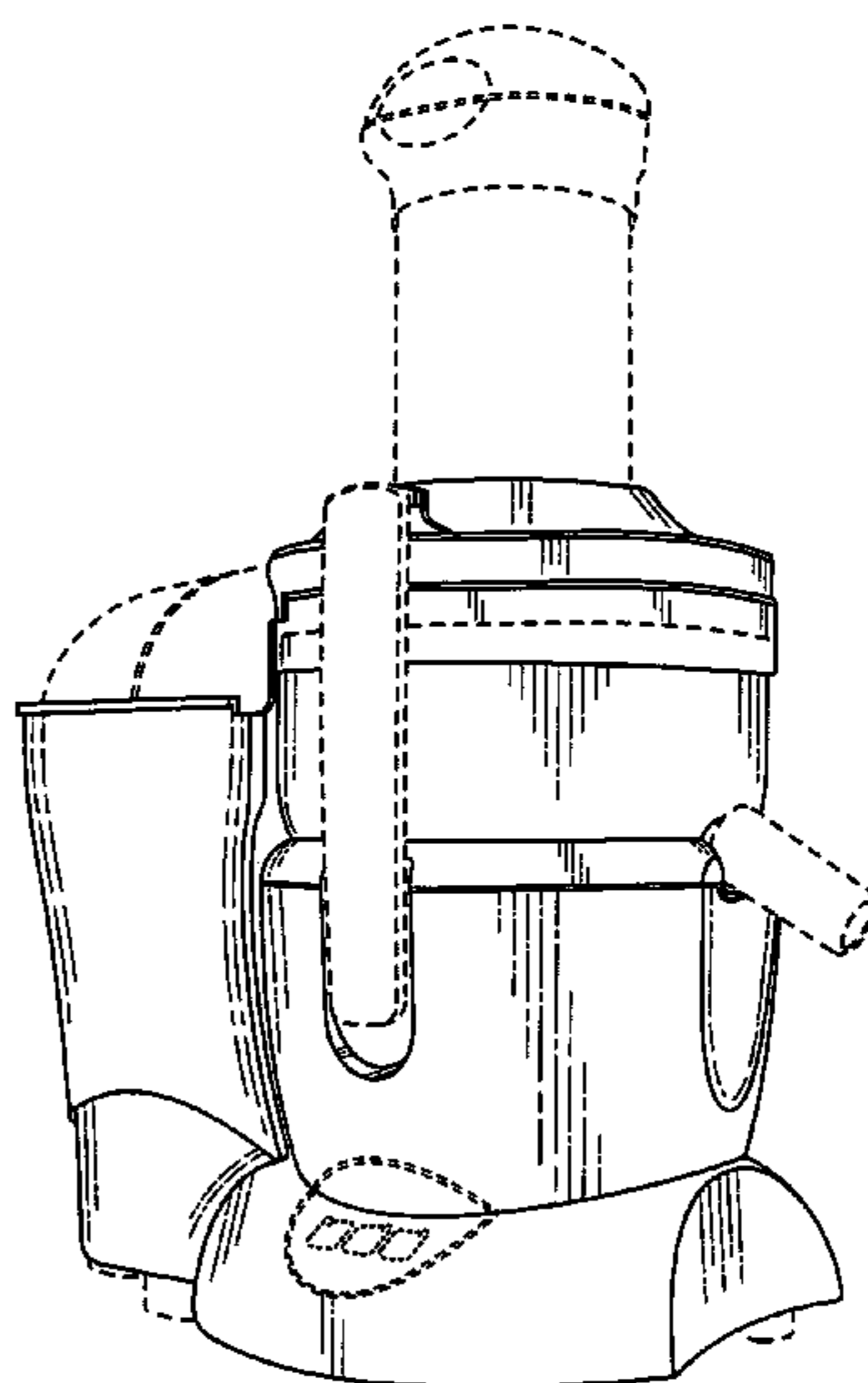
FIG. 5 Is a back view thereof;

FIG. 6 Is a top plan view thereof; and,

FIG. 7 Is a bottom plan view thereof.

The broken line depictions are for illustrative purposes only and form no part of the claimed design.

1 Claim, 6 Drawing Sheets



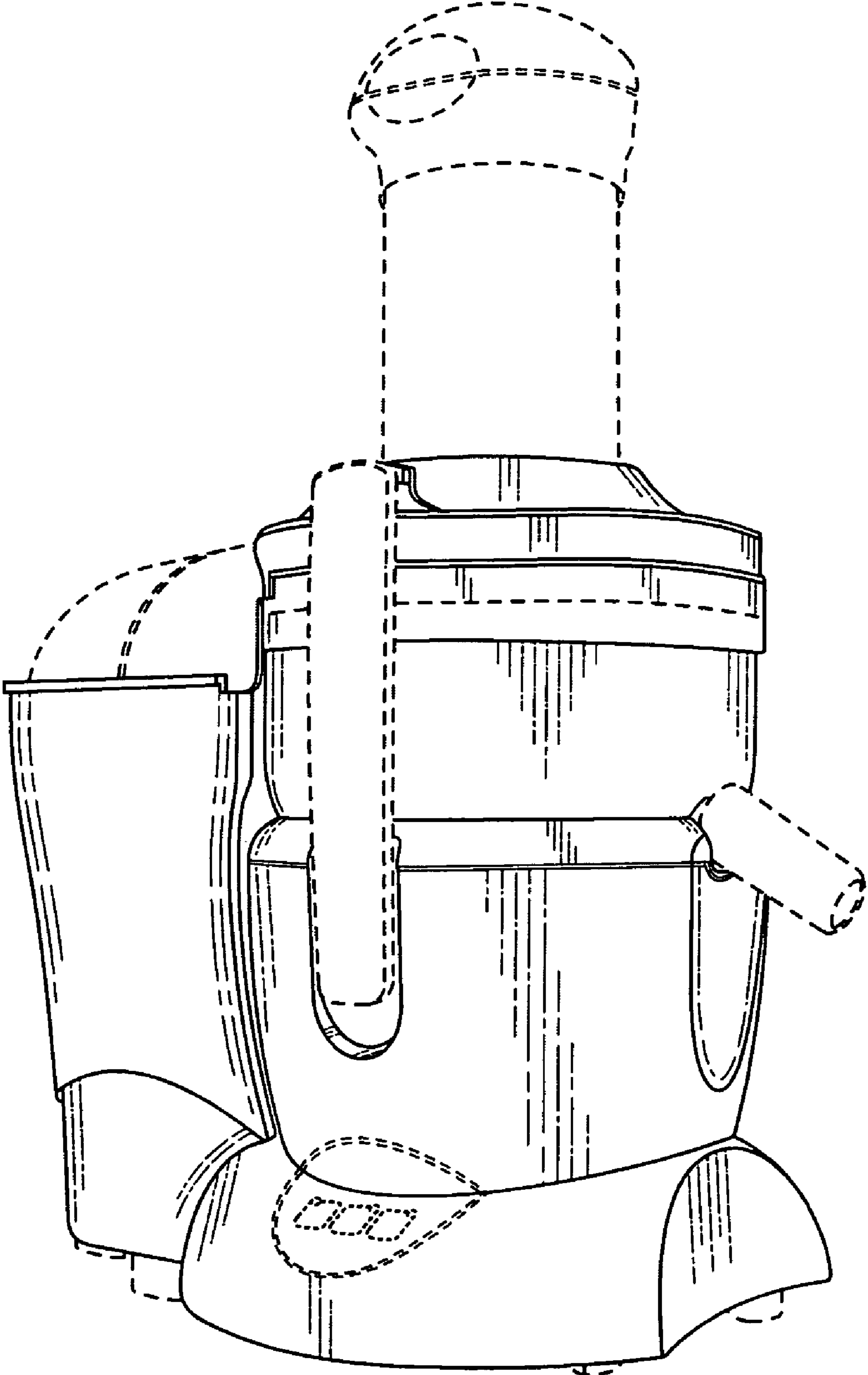


FIG. 1

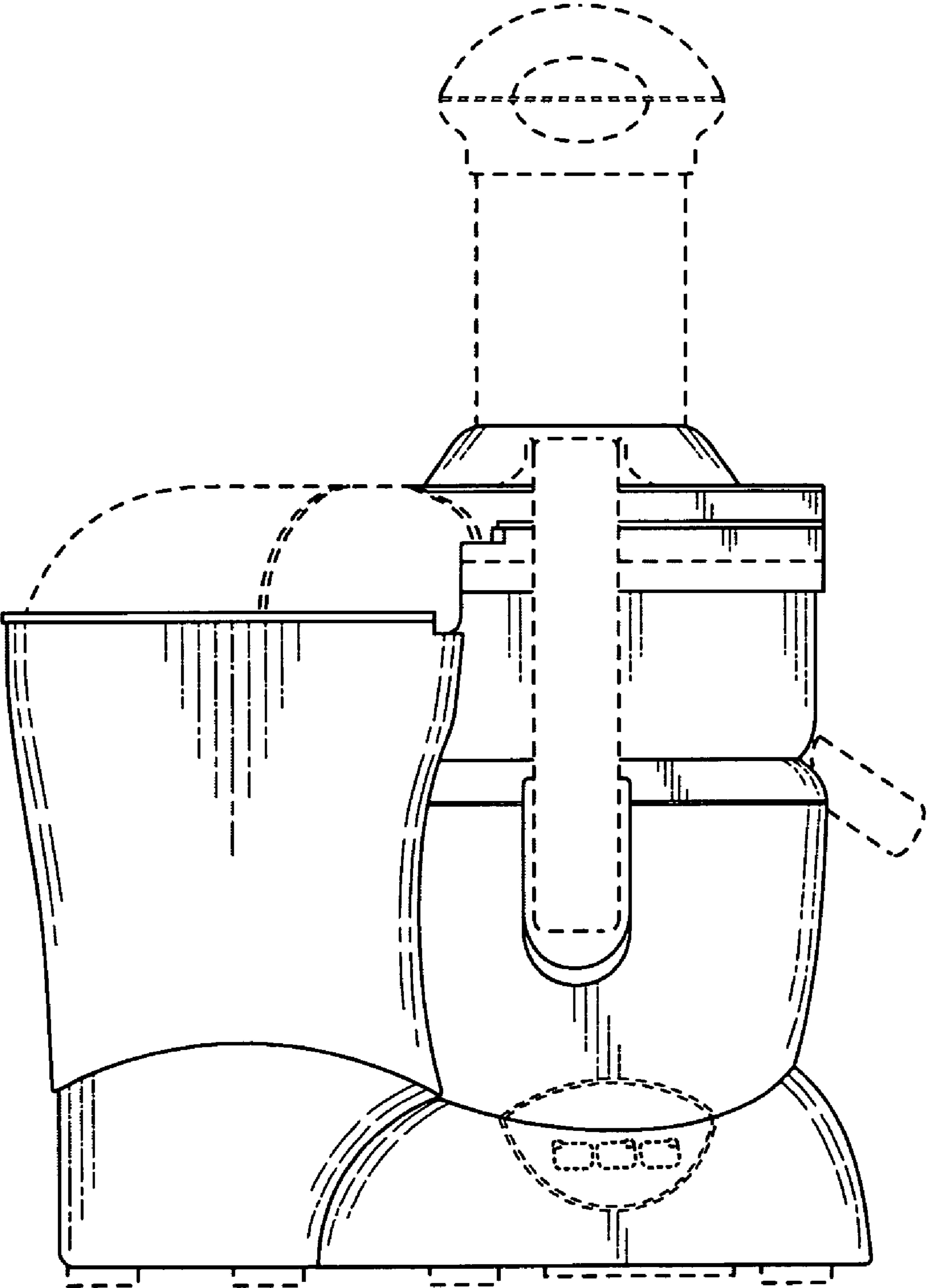


FIG. 2

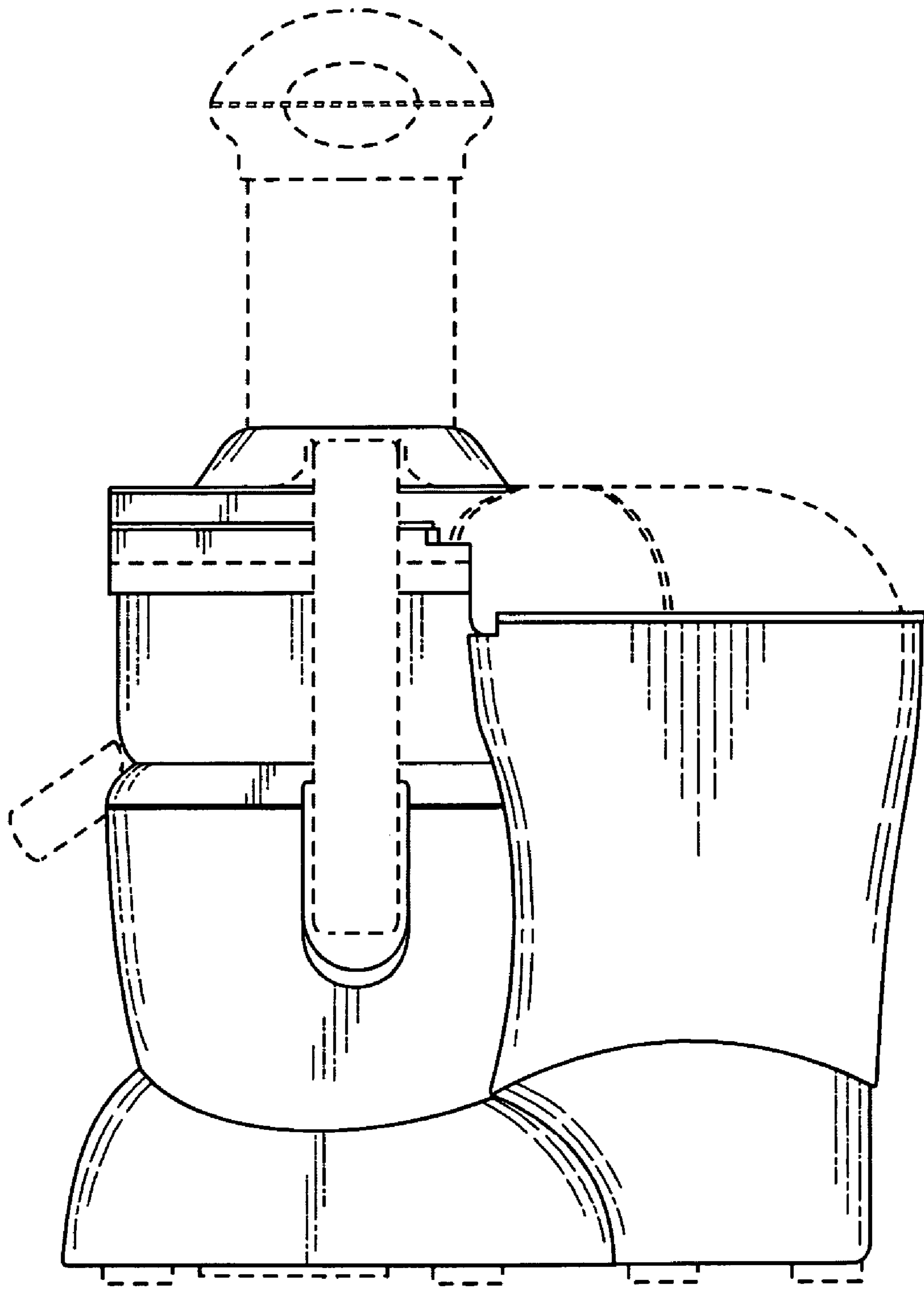


FIG. 3

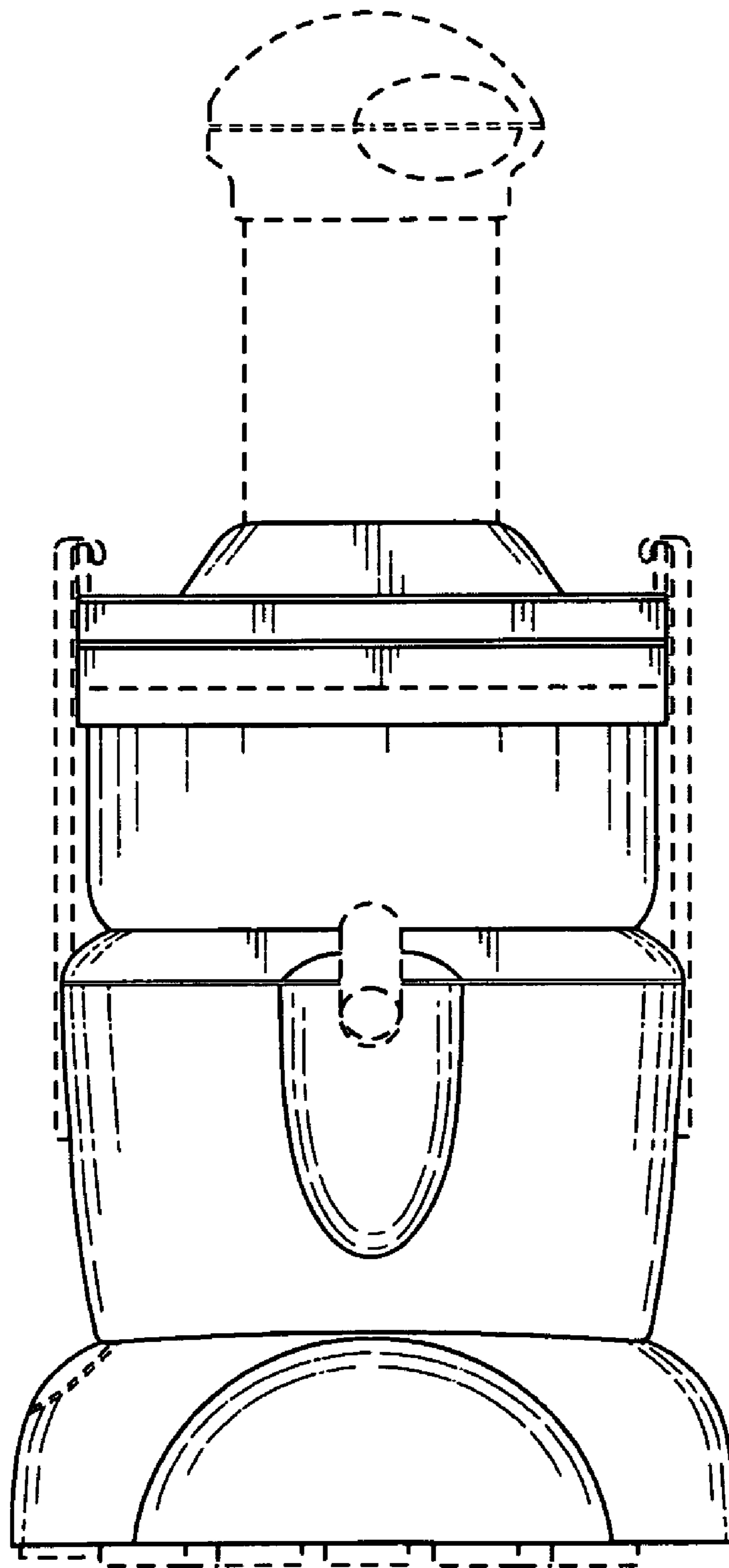


FIG. 4

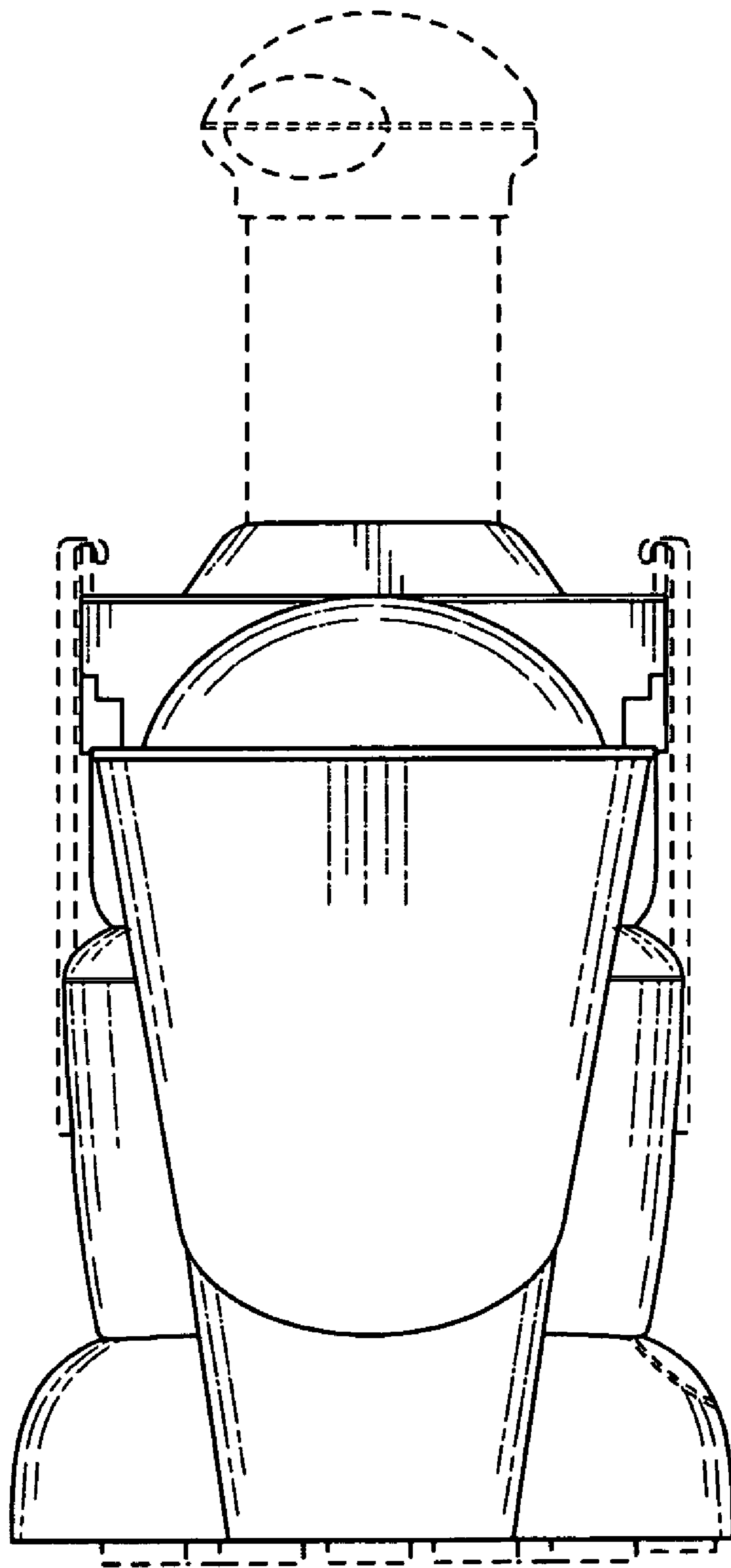


FIG. 5

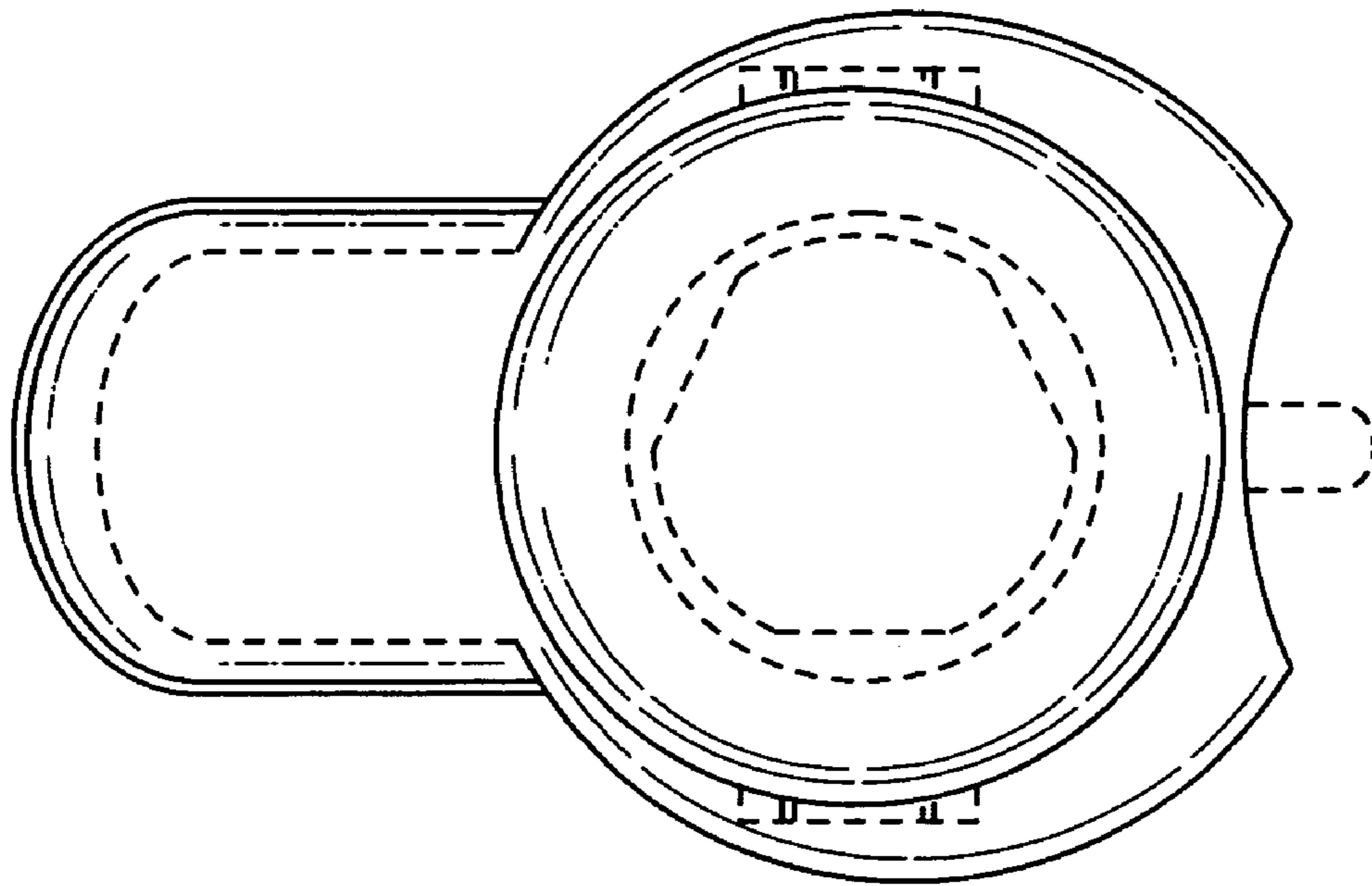


FIG. 6

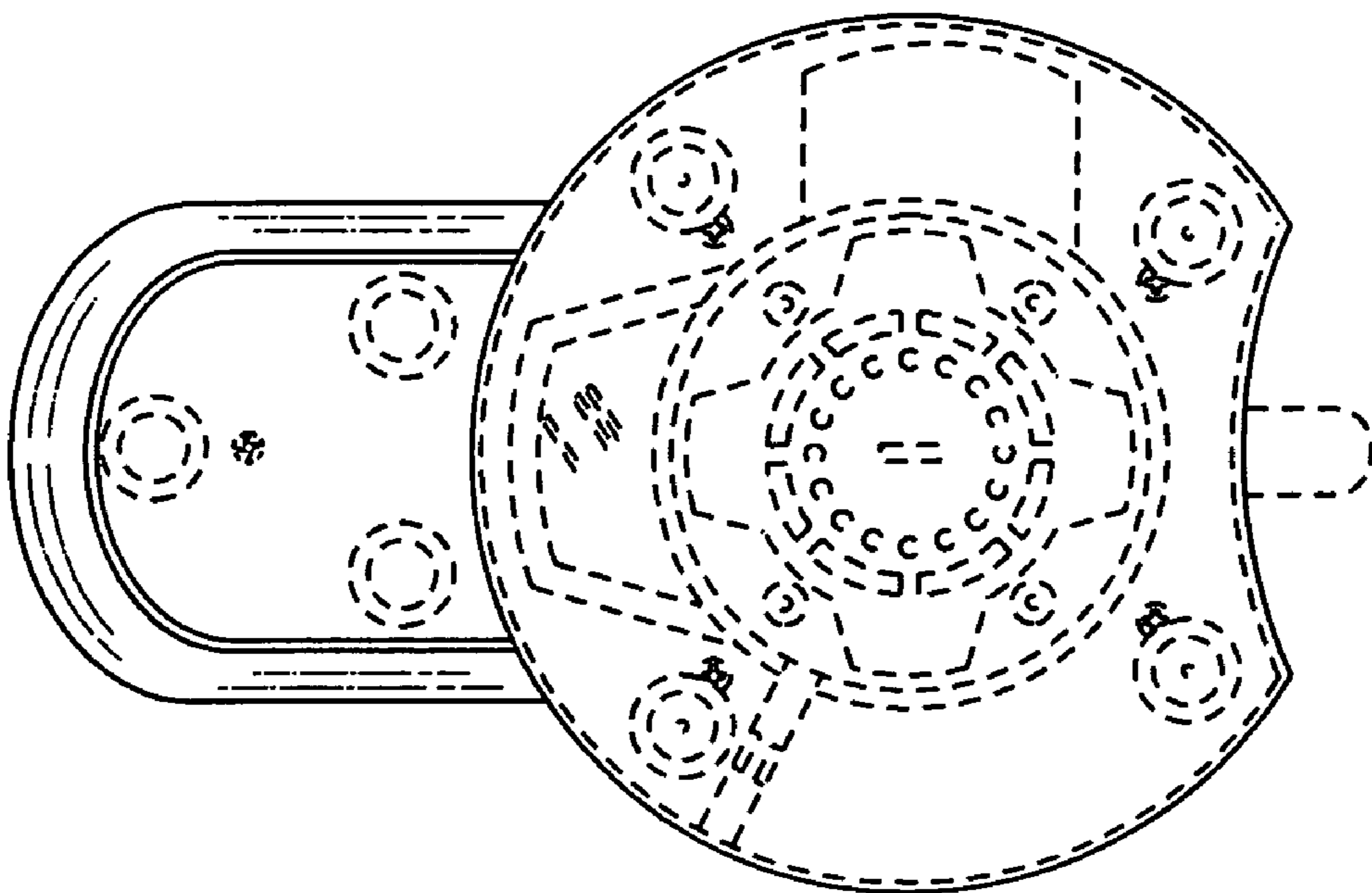


FIG. 7