



US00D588863S

(12) **United States Design Patent**
Sands

(10) **Patent No.:** **US D588,863 S**
(45) **Date of Patent:** **** Mar. 24, 2009**

(54) **BLENDER**
(75) Inventor: **Lenny Sands**, Sherman Oaks, CA (US)
(73) Assignee: **Bullet Express, LLC**, Sherman Oaks, CA (US)
(**) Term: **14 Years**
(21) Appl. No.: **29/312,530**
(22) Filed: **Oct. 28, 2008**

6,299,085 B1 10/2001 Ekstrom
6,481,342 B2 11/2002 Thackray
6,536,335 B1 3/2003 Ashworth
6,598,518 B2 7/2003 Wong
6,609,821 B2 8/2003 Wulf et al.
D483,607 S * 12/2003 Chang Chien D7/384
6,832,543 B2 12/2004 Siano et al.
D512,265 S * 12/2005 McCurrach D7/378
7,066,640 B2 6/2006 Sands
7,213,965 B2 5/2007 Daniels, Jr.
D551,521 S * 9/2007 Chang Chien D7/665
D551,914 S * 10/2007 Chang Chien D7/665
D560,963 S 2/2008 Altheimer et al.
2007/0107609 A1 5/2007 Barker et al.

(51) **LOC (9) Cl.** **31-00**
(52) **U.S. Cl.** **D7/378**
(58) **Field of Classification Search** D7/317-318,
D7/356, 376-386, 392, 412-415, 665; 99/348,
99/509-511; 241/30-37.5, 101.01-101.2,
241/166-169.1, 274-278.2, 285.1-285.3,
241/291, 292.1; 366/64-67, 98, 192, 197-211,
366/205-206, 241-254, 279-292, 341-343
See application file for complete search history.

* cited by examiner

Primary Examiner—Caron Veynar
Assistant Examiner—Ricky Pham
(74) *Attorney, Agent, or Firm*—Cislo & Thomas, LLP

(57) **CLAIM**

The ornamental design for a blender, as shown and described.

(56) **References Cited**
U.S. PATENT DOCUMENTS

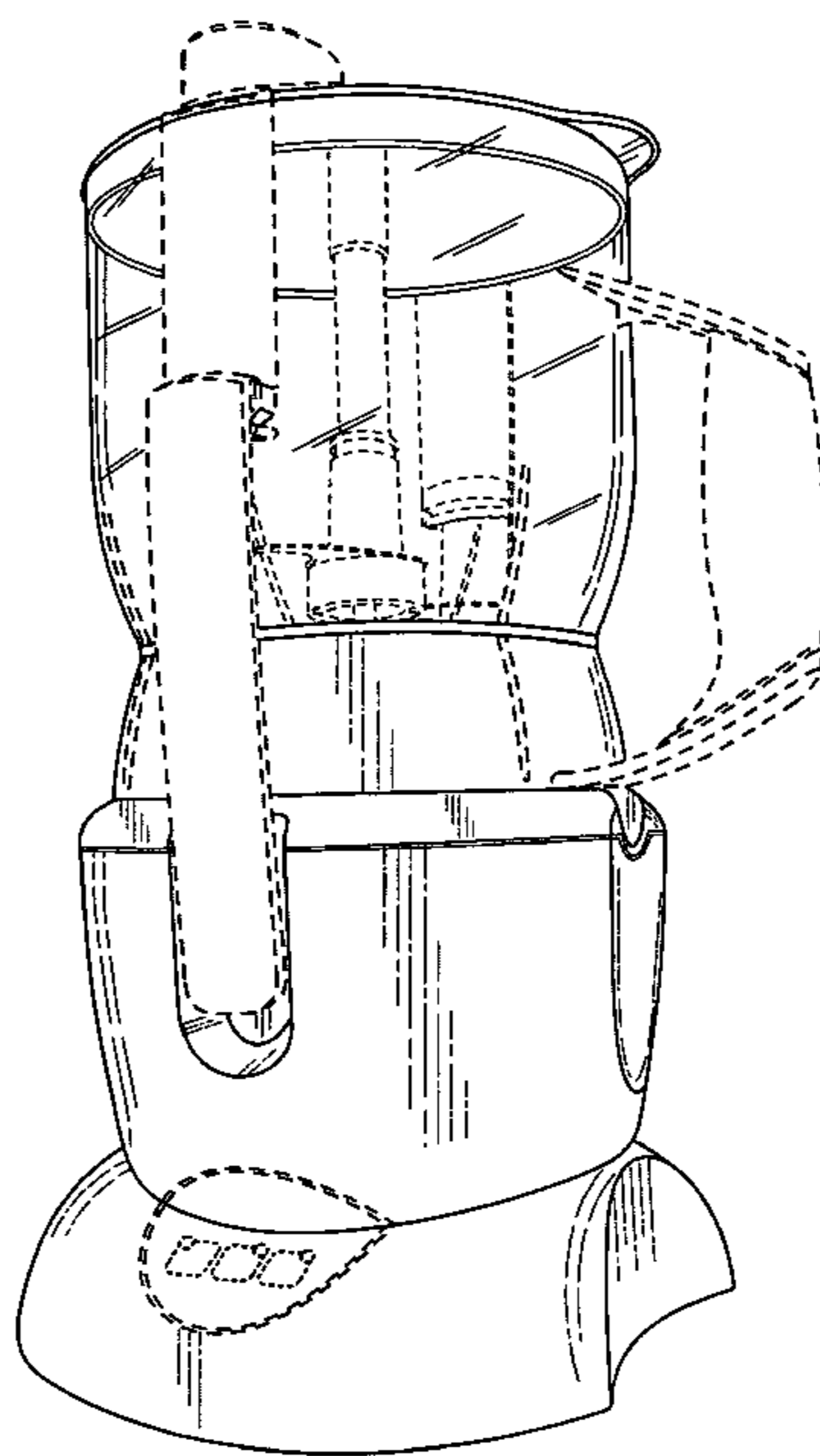
4,688,478 A 8/1987 Williams
4,744,522 A 5/1988 Borgman et al.
D320,717 S 10/1991 O'Brien
5,071,077 A 12/1991 Arroubi et al.
5,405,096 A 4/1995 Seol
5,460,082 A 10/1995 Kooyker et al.
5,524,530 A 6/1996 Nijzingh et al.
5,592,872 A 1/1997 Kooyker et al.
5,875,706 A 3/1999 Borger et al.
5,979,806 A 11/1999 Borger et al.
6,112,649 A 9/2000 Jeong
6,189,441 B1 2/2001 Beaudet et al.
D440,813 S * 4/2001 Gort-Barten D7/378
D445,635 S * 7/2001 Gort-Barten D7/378

DESCRIPTION

FIG. 1 Is a front left perspective view of a blender, showing my new design;
FIG. 2 Is a side view thereof;
FIG. 3 Is a side view thereof;
FIG. 4 Is a front view thereof;
FIG. 5 Is a back view thereof;
FIG. 6 Is a top plan view thereof; and,
FIG. 7 Is a bottom plan view thereof.

The broken line depictions are for illustrative purposes only and form no part of the claimed design.

1 Claim, 6 Drawing Sheets



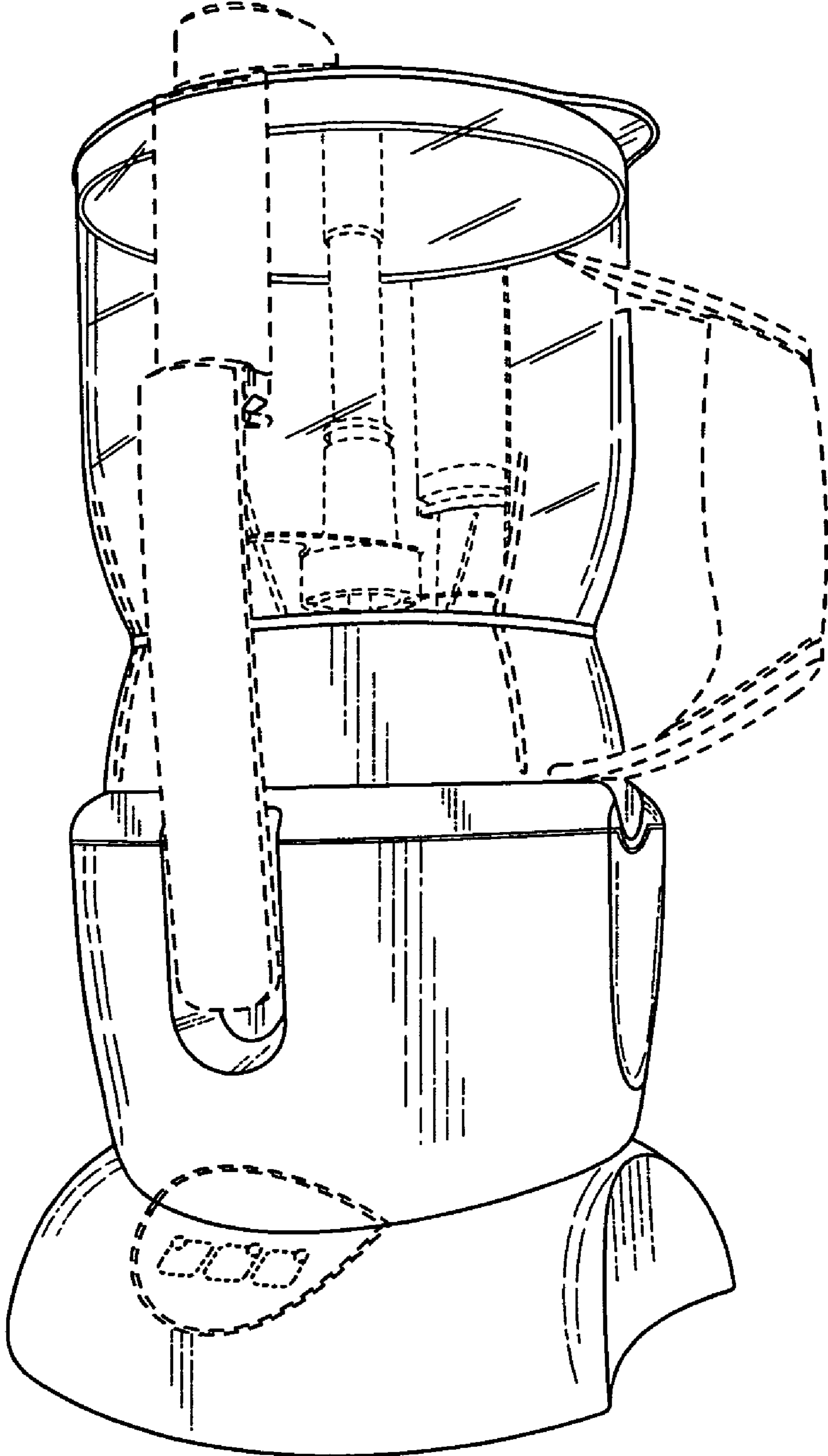


FIG. 1

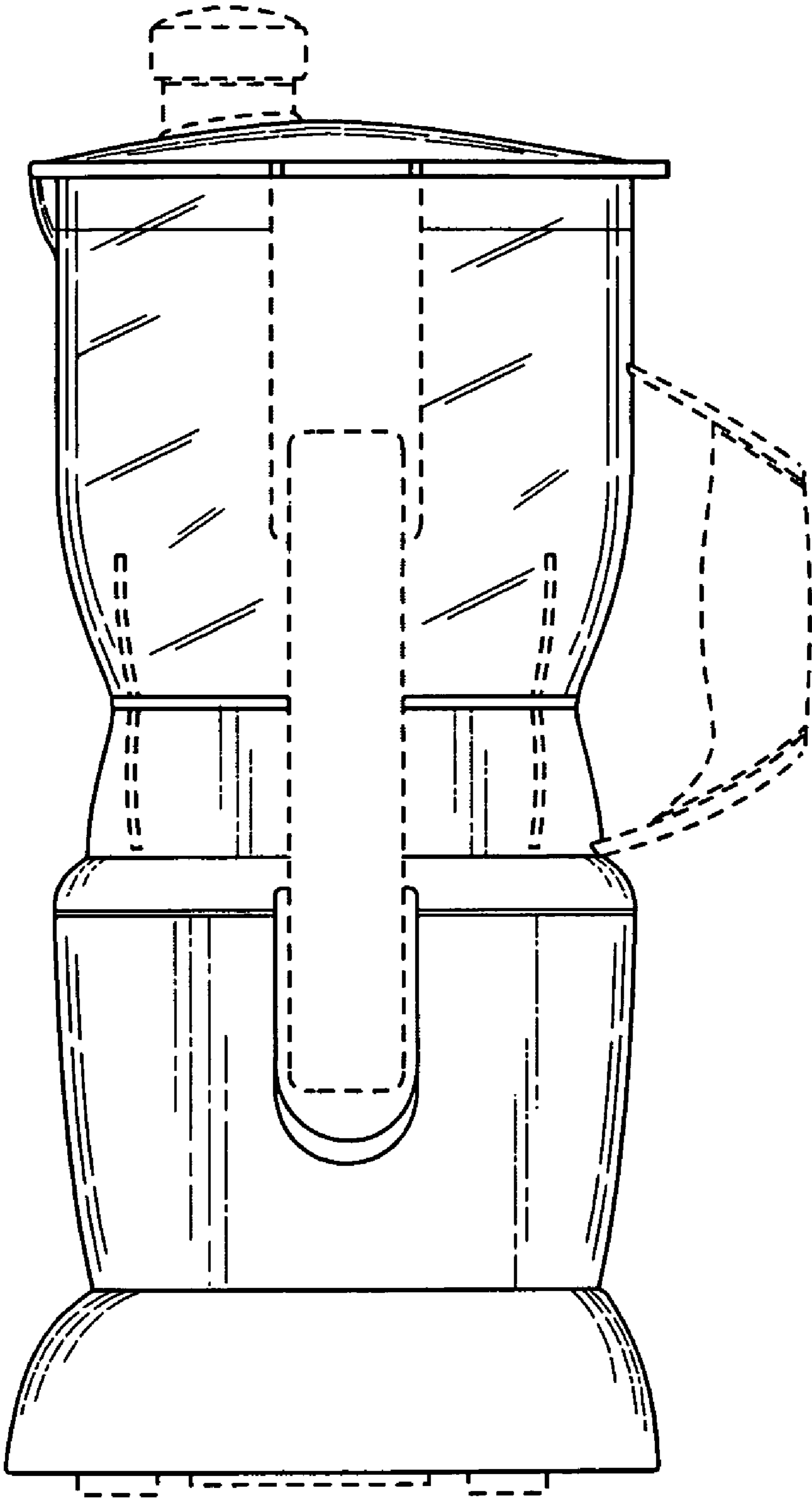


FIG. 2

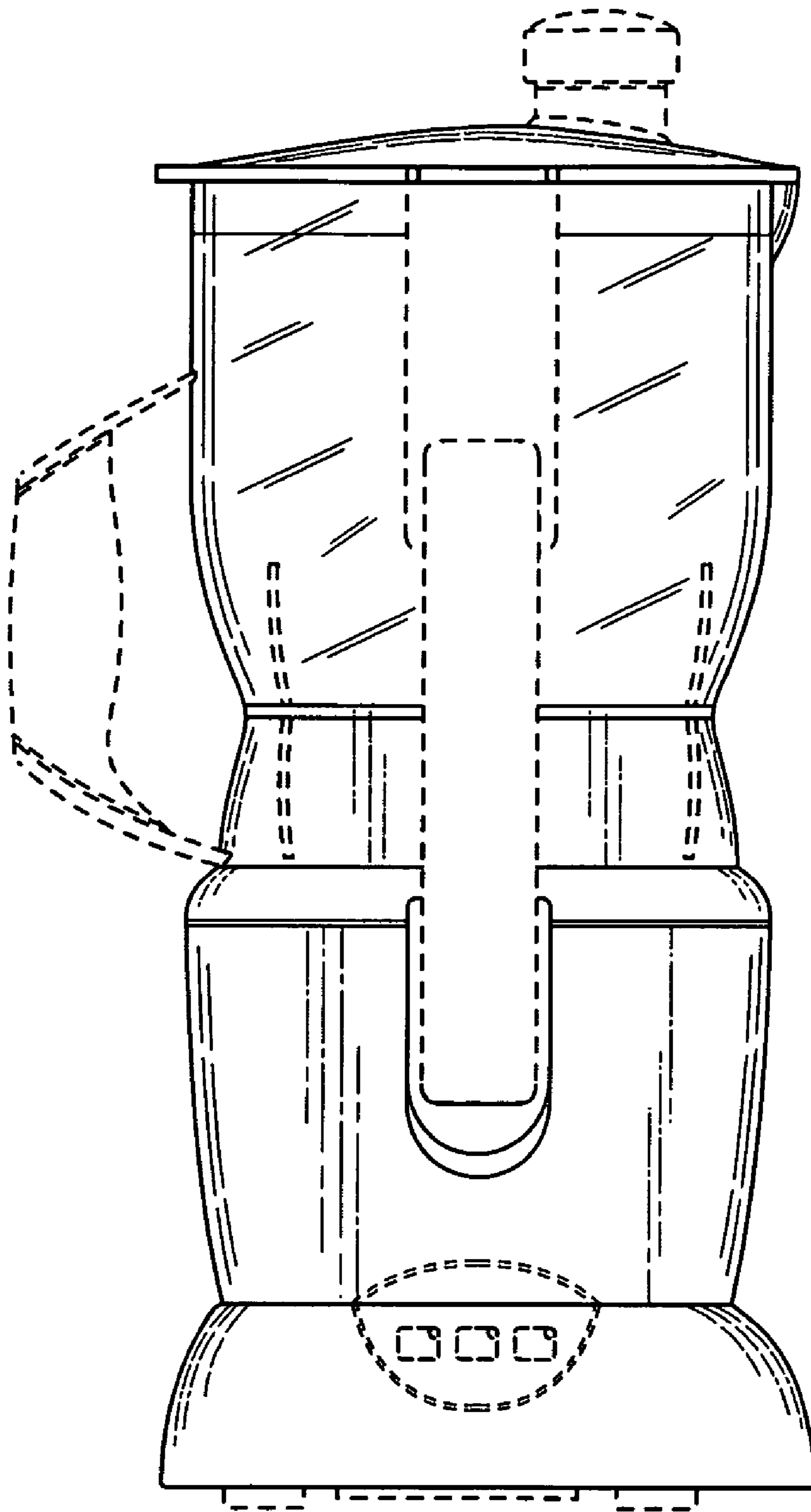


FIG. 3

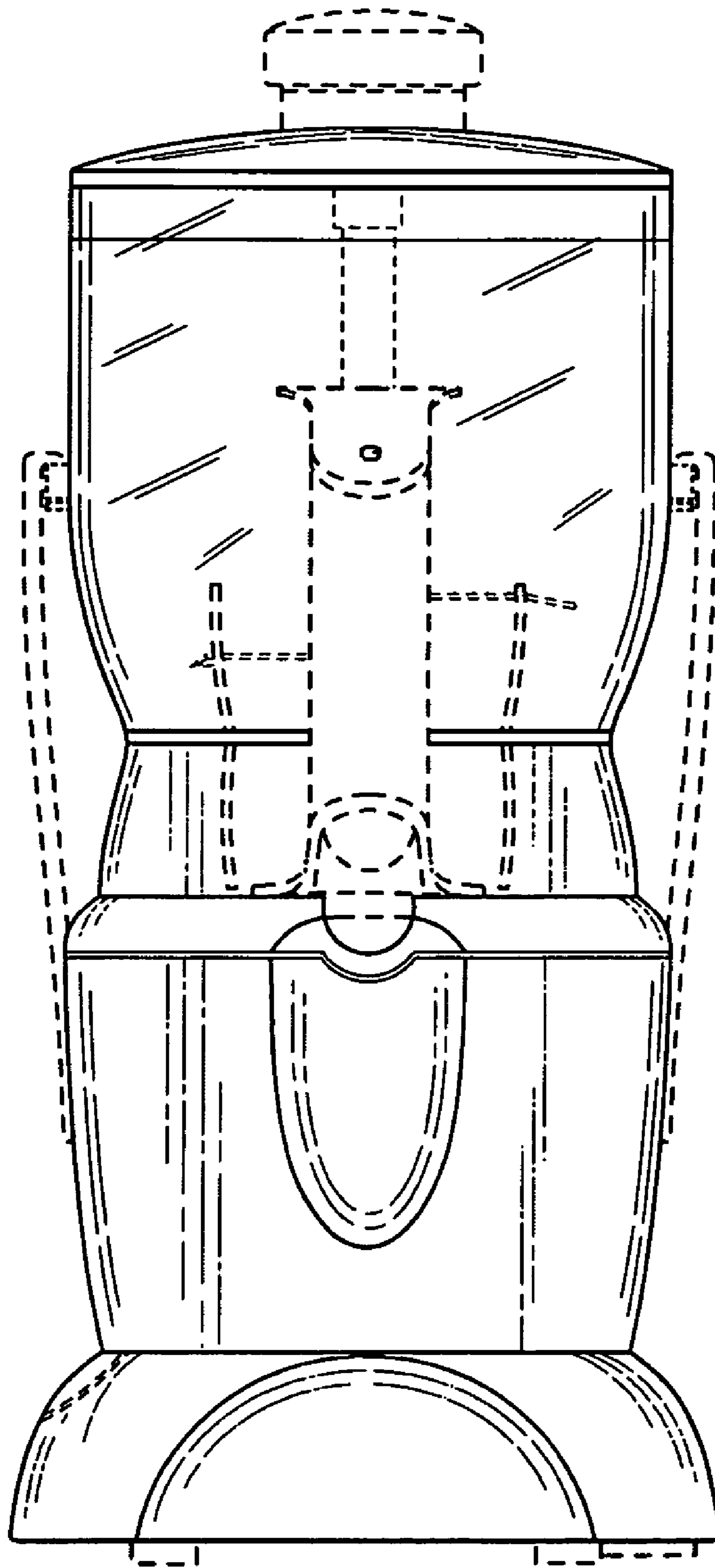


FIG. 4

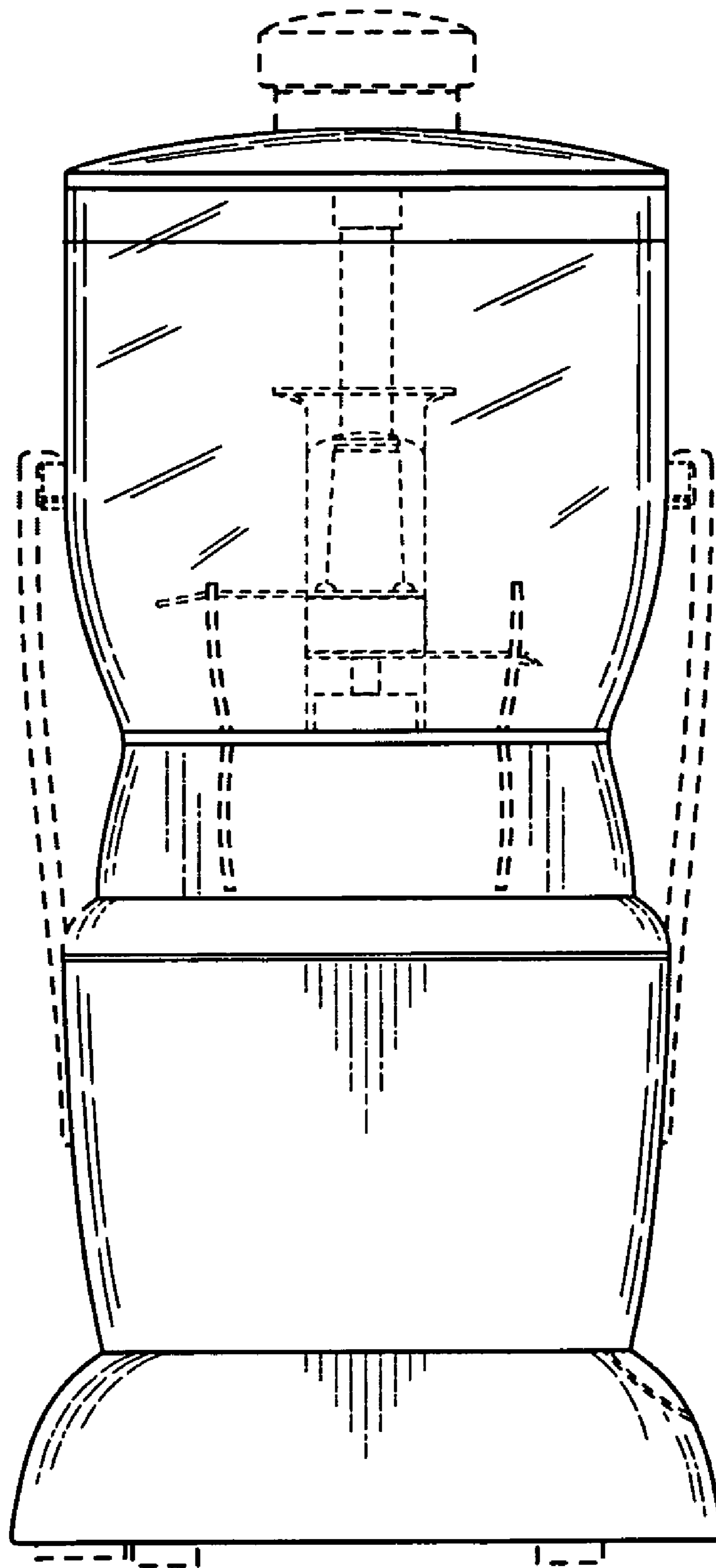


FIG. 5

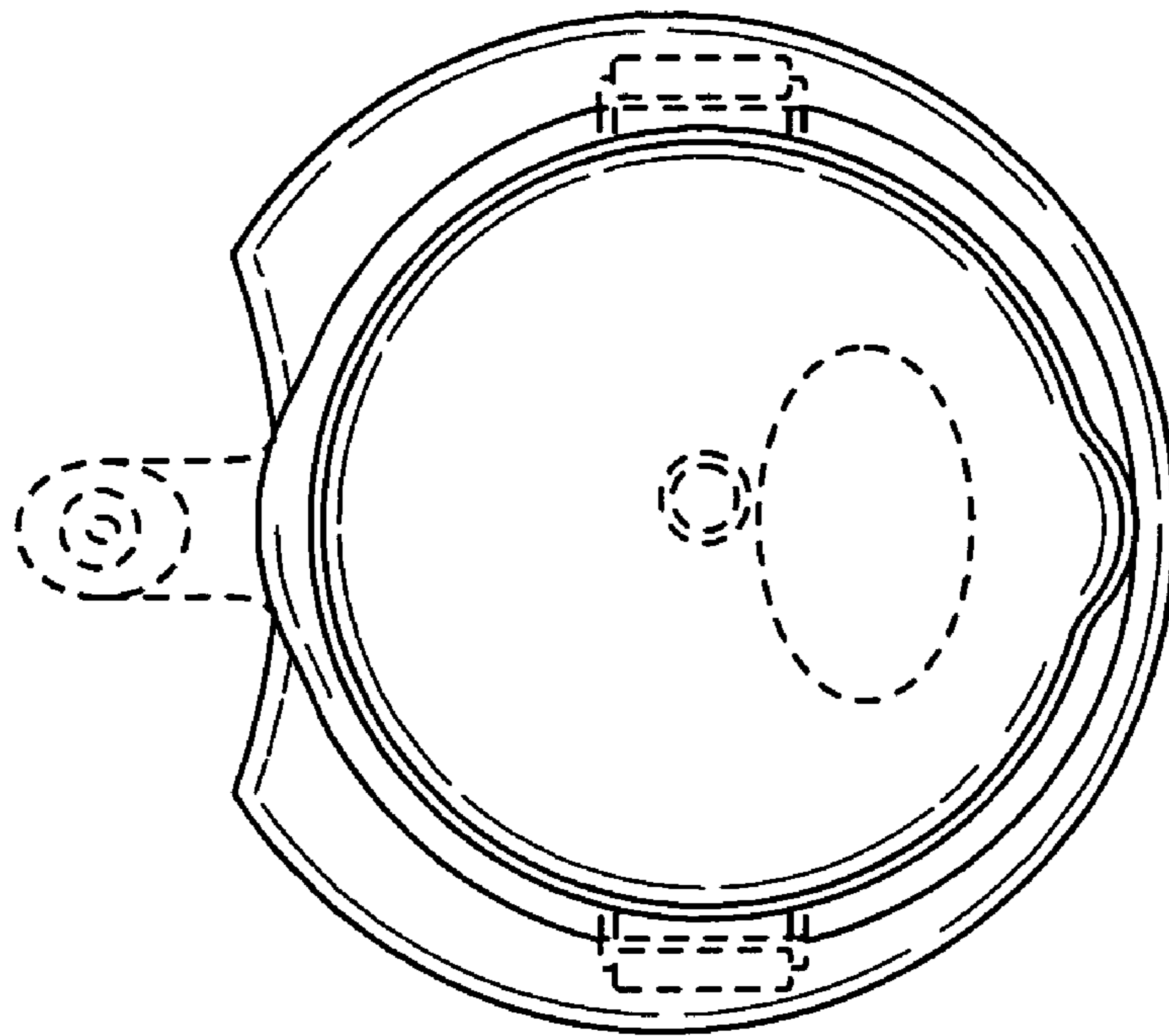


FIG. 6

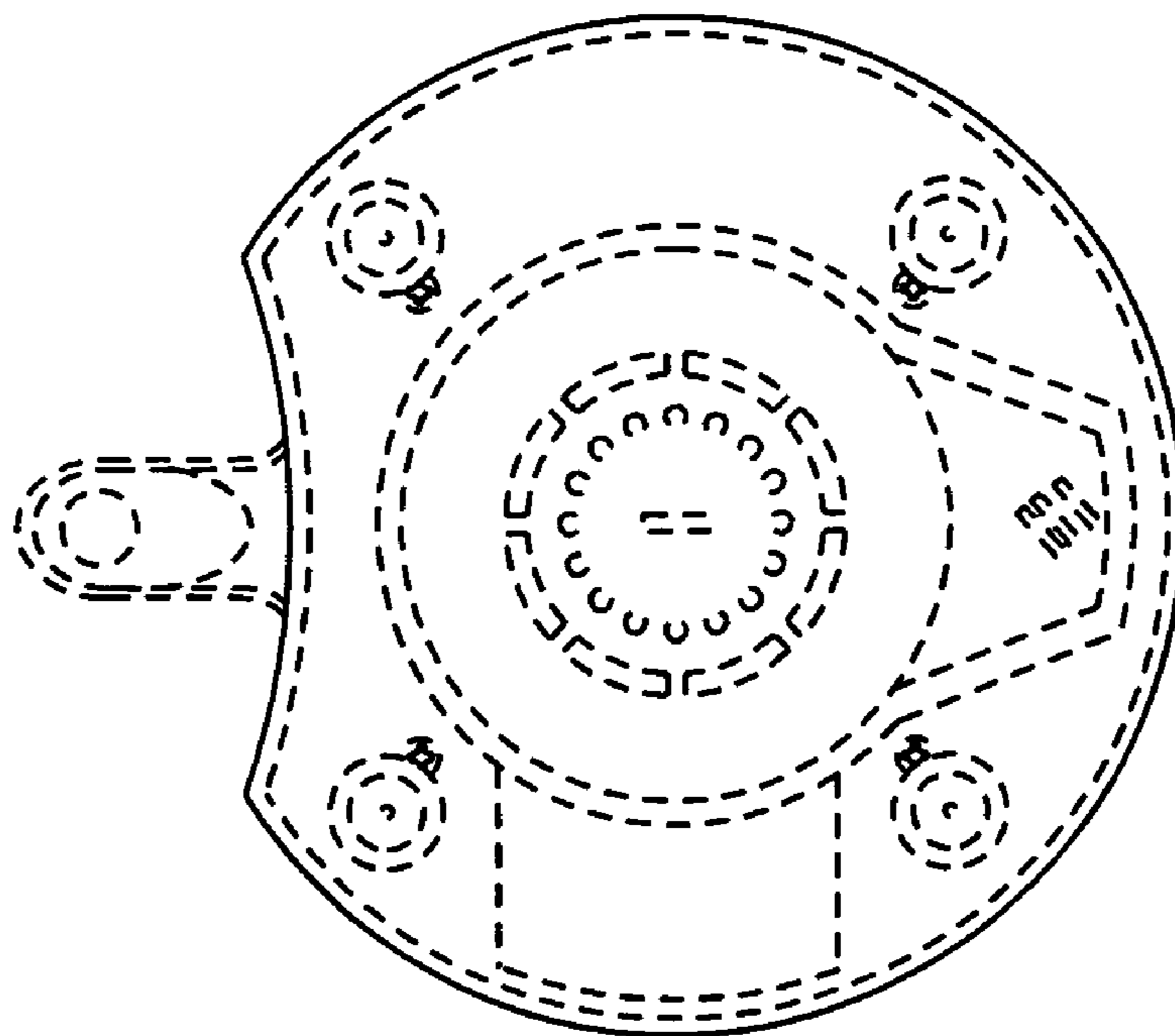


FIG. 7