



US00D588861S

(12) **United States Design Patent**
Cheng

(10) **Patent No.:** **US D588,861 S**

(45) **Date of Patent:** **** Mar. 24, 2009**

(54) **DECORATIVE COOKING VESSEL**

(75) Inventor: **Stanley Kin Sui Cheng**, Vallejo, CA
(US)

(73) Assignee: **Meyer Intellectual Properties Limited**
(VG)

(**) Term: **14 Years**

(21) Appl. No.: **29/304,850**

(22) Filed: **Mar. 7, 2008**

(51) **LOC (9) Cl.** **07-02**

(52) **U.S. Cl.** **D7/361**

(58) **Field of Classification Search** D7/337,
D7/354-361, 365, 378-379, 383-387, 542-543,
D7/545, 560, 584-588; 16/425; 99/348,
99/403, 422, 425, 454; 220/203.01, 573.1-574,
220/769, 912; 427/261

See application file for complete search history.

(56) **References Cited**

U.S. PATENT DOCUMENTS

D132,280 S *	5/1942	Miller	D7/560
D199,747 S *	12/1964	Farber	D7/354
D230,690 S *	3/1974	Graham et al.	D7/361
D233,928 S *	12/1974	Sams	D7/361
D269,243 S *	6/1983	Lam	D7/361
D269,399 S *	6/1983	Lam	D7/361
D306,679 S *	3/1990	Schultz	D7/361
D328,996 S *	9/1992	Gerlach	D7/361
D328,997 S *	9/1992	Gerlach	D7/361
D342,863 S *	1/1994	Patrick	D7/361
5,373,608 A *	12/1994	Welch	16/425

D358,062 S *	5/1995	Hasuike	D7/360
5,666,874 A *	9/1997	Wang	99/348
D395,787 S *	7/1998	Wilks	D7/357
5,802,960 A *	9/1998	Graj et al.	99/403
D414,375 S *	9/1999	Diulius	D7/354
D449,204 S *	10/2001	Groll	D7/354
6,331,328 B1 *	12/2001	Cheng	427/261
D537,672 S *	3/2007	Hoenstein	D7/361
D552,925 S *	10/2007	Kloppsteck	D7/361
D571,607 S *	6/2008	Stattmann	D7/361
D572,077 S *	7/2008	Duke	D7/387
D579,716 S *	11/2008	Pawson et al.	D7/361
D580,213 S *	11/2008	Pawson et al.	D7/360

* cited by examiner

Primary Examiner—Caron Veynar

Assistant Examiner—Ricky Pham

(74) *Attorney, Agent, or Firm*—Edward S. Sherman

(57) **CLAIM**

The ornamental design for a decorative cooking vessel, as shown and described.

DESCRIPTION

FIG. 1 is a perspective view of a first embodiment the “decorative cooking vessel”, showing my new design;

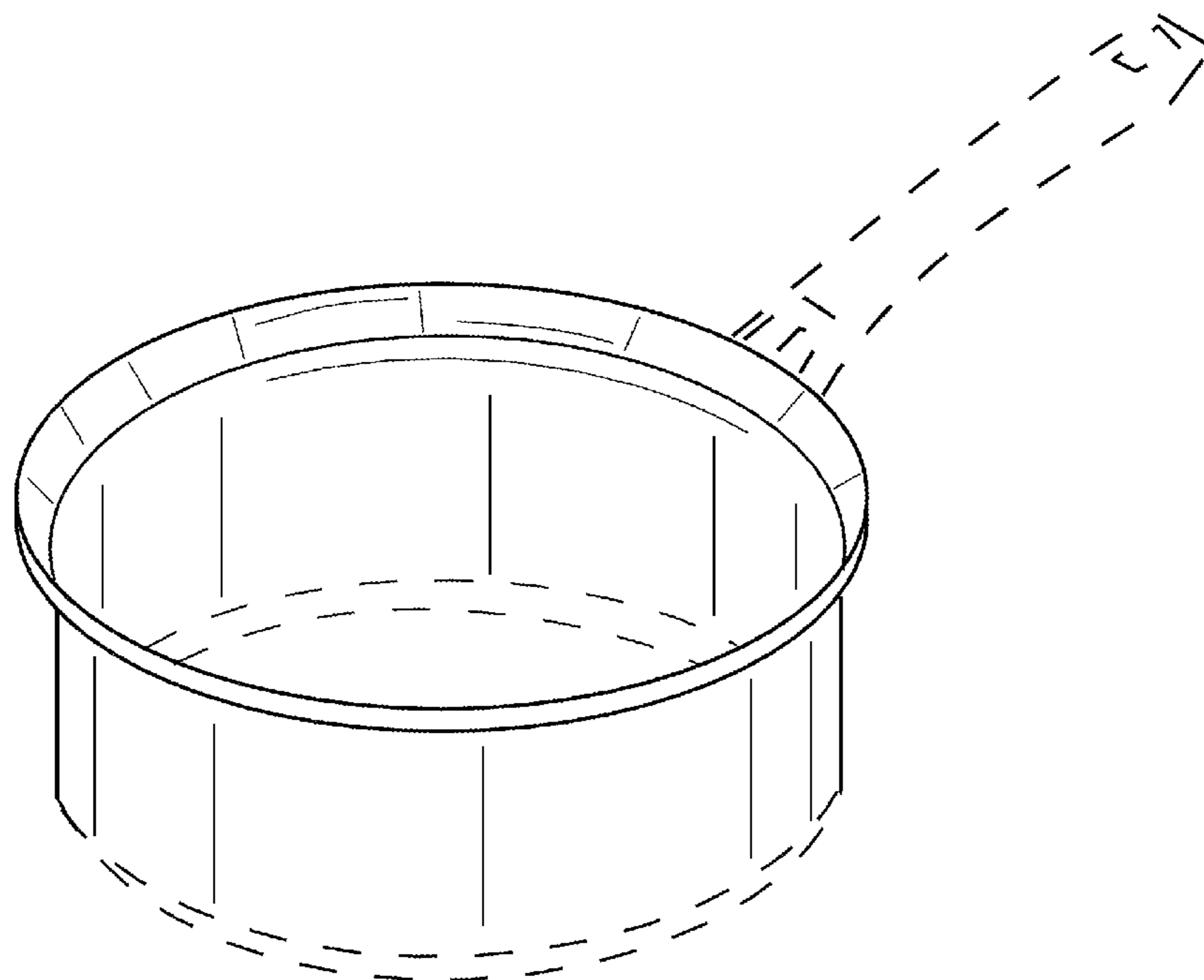
FIG. 2 is a top plan view thereof;

FIG. 3 is a right side elevational view thereof; and,

FIG. 4 is a bottom plan view thereof.

The broken lines in FIGS. 1-4 are for illustrative purposes only, depicting the environment of the new design, forming no part thereof as claimed.

1 Claim, 4 Drawing Sheets



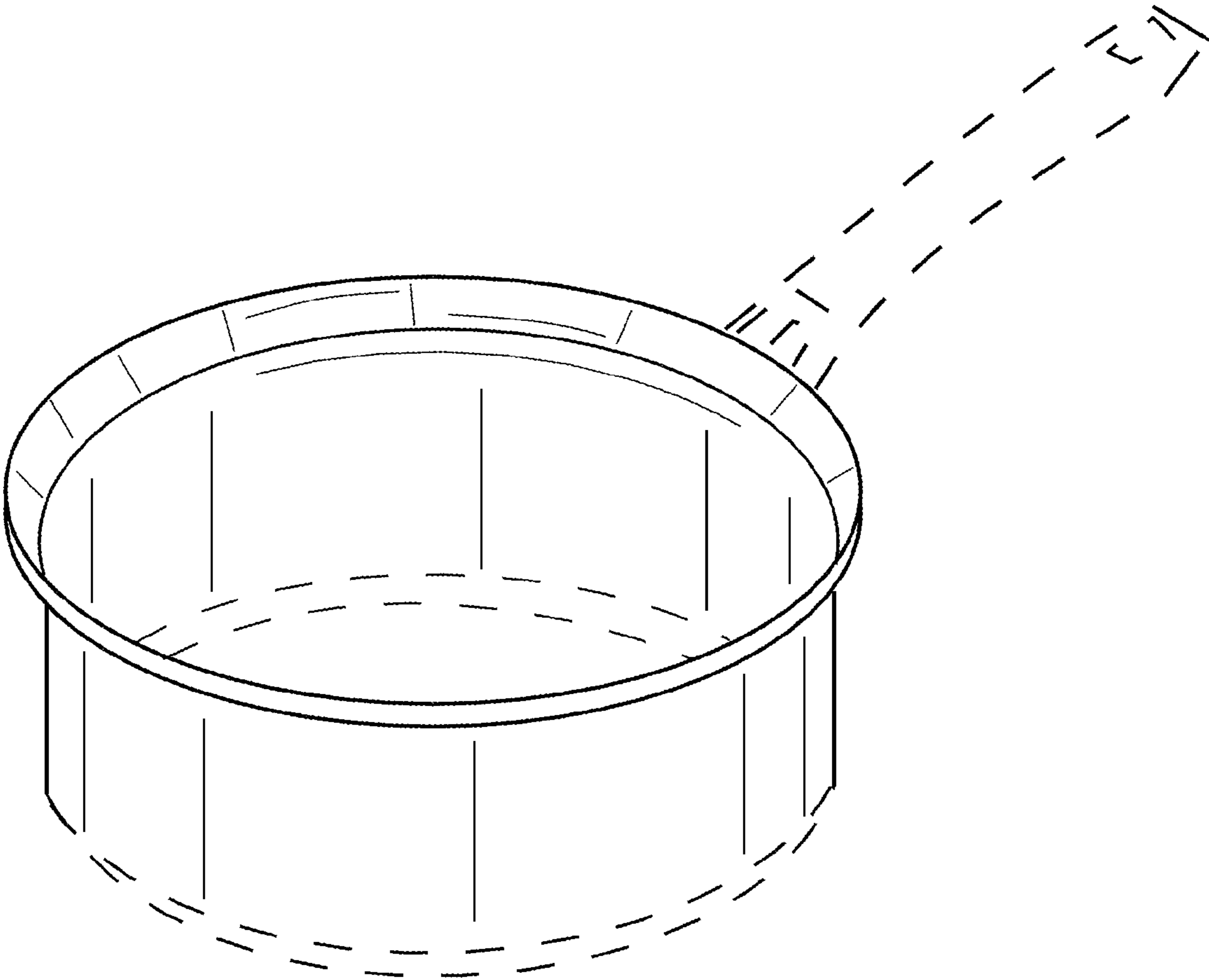


FIG. 1

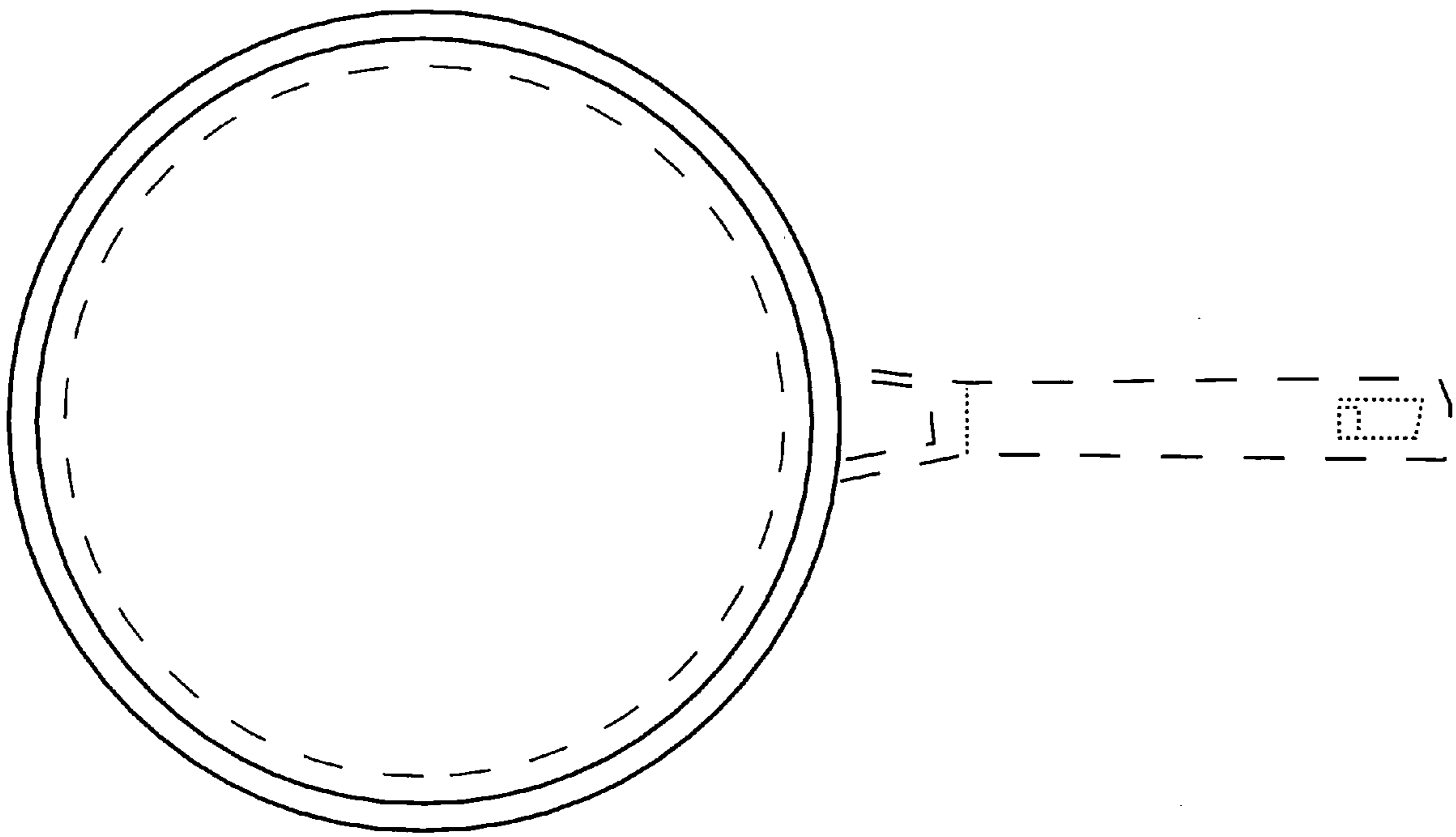


FIG. 2

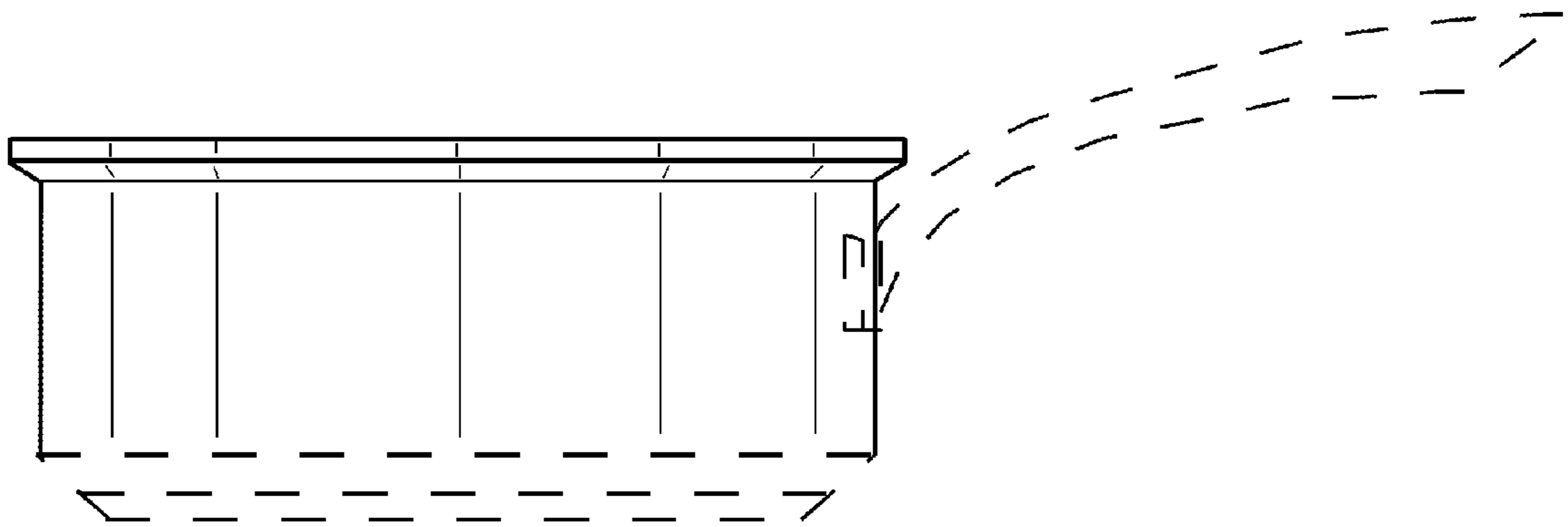


FIG. 3

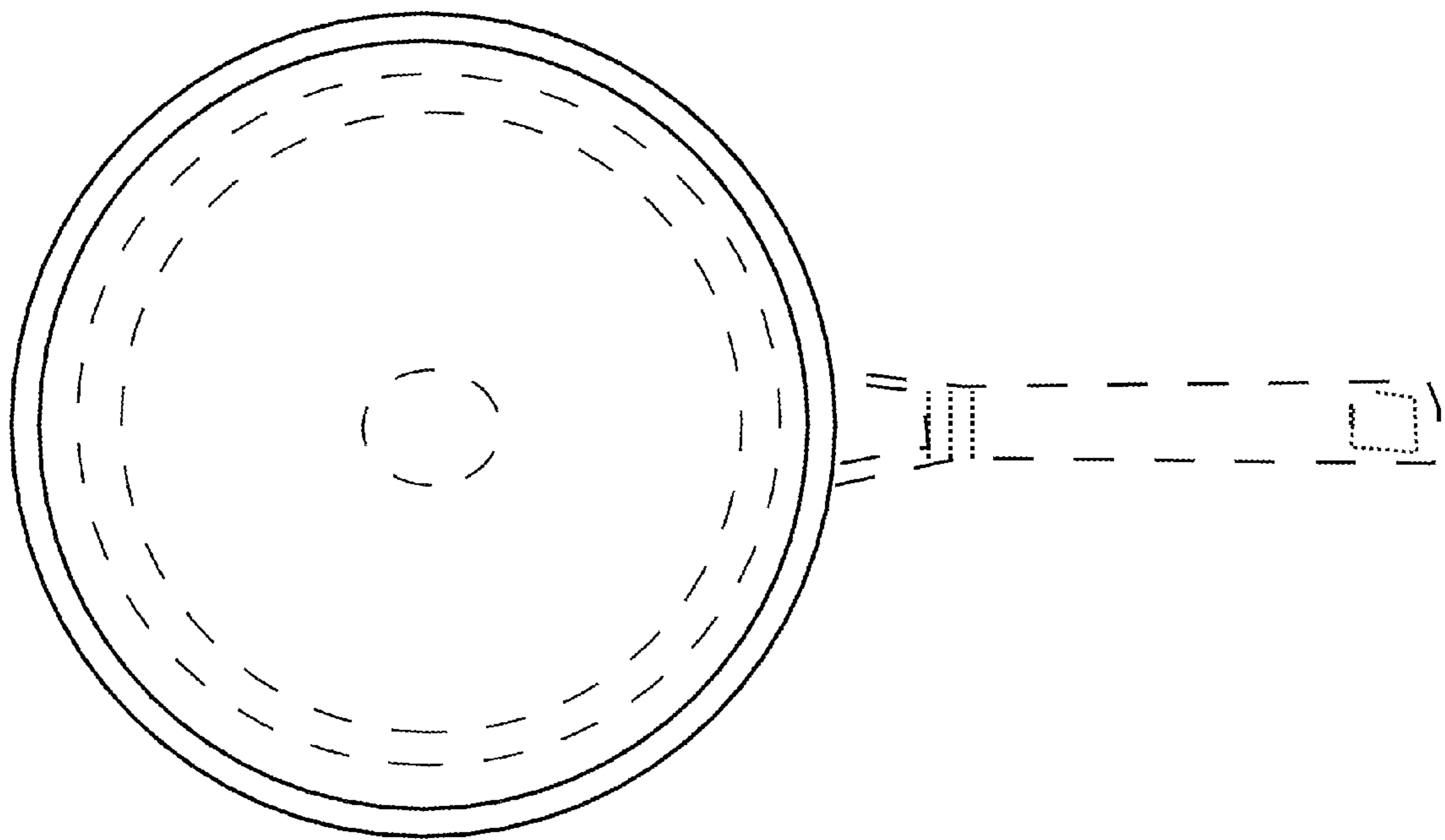


FIG. 4