



US00D588860S

(12) **United States Design Patent**
Tienor et al.

(10) **Patent No.:** **US D588,860 S**
(45) **Date of Patent:** **** Mar. 24, 2009**

(54) **COUNTERTOP DEEP FRYER**

(75) Inventors: **Lawrence J. Tienor**, Eau Claire, WI (US); **Michael Robert Berge**, Eau Claire, WI (US)

(73) Assignee: **National Presto Industries, Inc.**, Eau Claire, WI (US)

(**) Term: **14 Years**

(21) Appl. No.: **29/324,848**

(22) Filed: **Sep. 22, 2008**

Related U.S. Application Data

(63) Continuation-in-part of application No. 12/032,868, filed on Feb. 18, 2008.

(51) **LOC (9) Cl.** **07-02**

(52) **U.S. Cl.** **D7/354**

(58) **Field of Classification Search** D7/323, D7/332, 350.1, 352-361, 365, 378-379, 383-384, D7/391-396.1, 542-543, 560, 667; D21/525; 99/140 R, 337, 340, 345, 403, 422, 425, 445; 219/438-442, 620-622, 725-730; 220/203.01, 220/573.1-574, 769, 912; 426/438, 441
See application file for complete search history.

(56) **References Cited**

U.S. PATENT DOCUMENTS

D246,686 S	12/1977	Boldt	
D284,257 S	6/1986	Greb et al.	
D305,971 S *	2/1990	Janssens	D7/360
5,029,519 A	7/1991	Boyen	
5,379,684 A	1/1995	Ettridge	
5,586,486 A	12/1996	Nitschke et al.	
D387,243 S *	12/1997	Bumoux	D7/354
D397,579 S *	9/1998	Wu Chang	D7/350.1
D424,366 S *	5/2000	Blaise	D7/354
D431,150 S	9/2000	Kalina et al.	
D444,666 S	7/2001	Kalina et al.	

(Continued)

Primary Examiner—Caron Veynar

Assistant Examiner—Ricky Pham

(74) *Attorney, Agent, or Firm*—Patterson, Thunte, Skaar & Christensen, P.A.

(57) **CLAIM**

We claim the ornamental design for countertop deep fryer, as shown.

DESCRIPTION

FIG. 1 is a front perspective view of a countertop deep fryer according to the first embodiment of the invention.

FIG. 2 is a front, elevational view of the countertop deep fryer of FIG. 1.

FIG. 3 is a rear, elevational view of the countertop deep fryer of FIG. 1.

FIG. 4 is a right side elevational view of the countertop deep fryer of FIG. 1.

FIG. 5 is a left side elevational view of the countertop deep fryer of FIG. 1.

FIG. 6 is a top view of the countertop deep fryer of FIG. 1.

FIG. 7 is a bottom view of the countertop deep fryer of FIG. 1.

FIG. 8 is a front perspective view of a countertop deep fryer according to the second embodiment of the invention.

FIG. 9 is a front, elevational view of the countertop deep fryer of FIG. 8.

FIG. 10 is a rear, elevational view of the countertop deep fryer of FIG. 8.

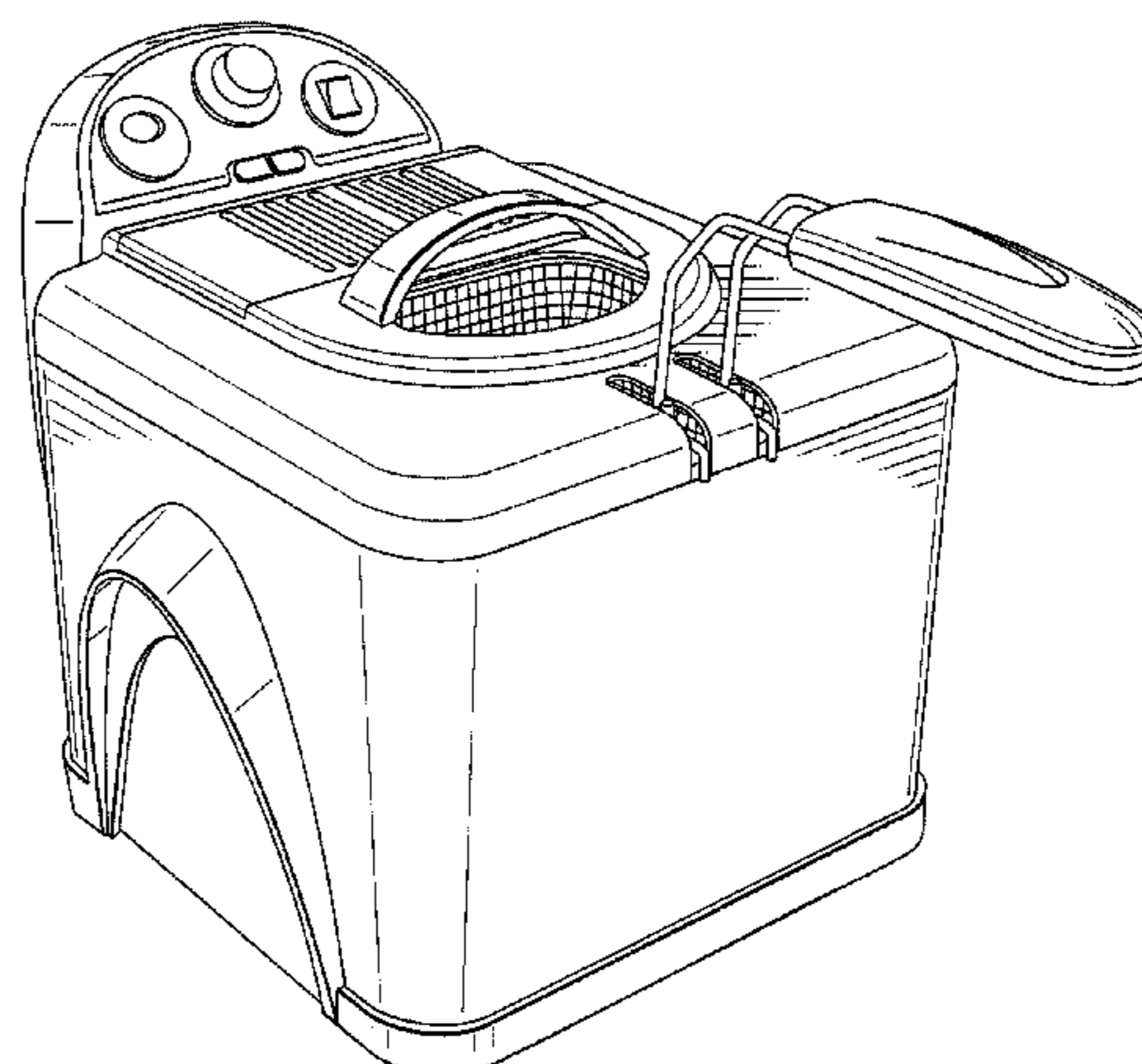
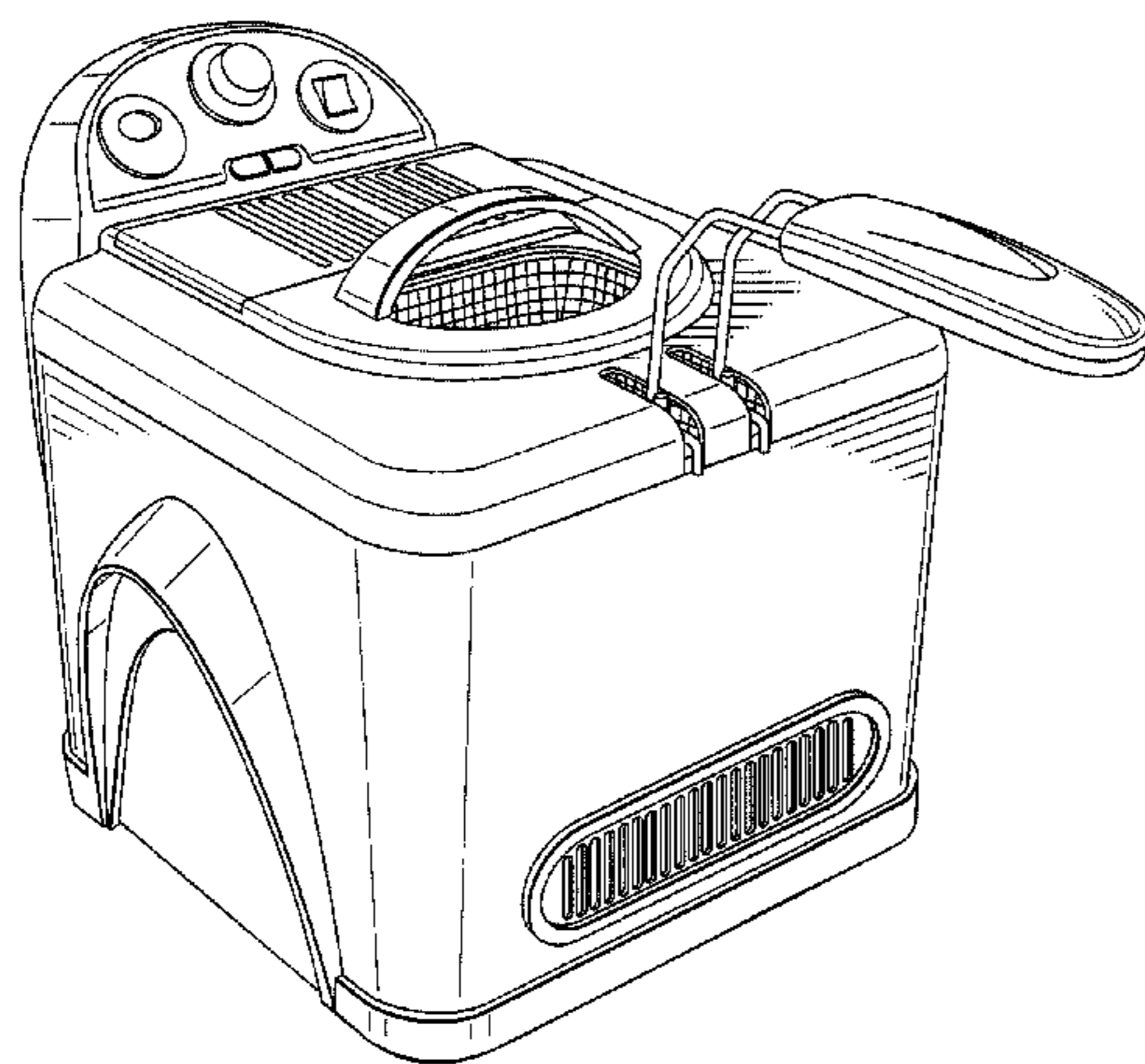
FIG. 11 is a right side elevational view of the countertop deep fryer of FIG. 8.

FIG. 12 is a left side elevational view of the countertop deep fryer of FIG. 8.

FIG. 13 is a top view of the countertop deep fryer of FIG. 8; and,

FIG. 14 is a bottom view of the countertop deep fryer of FIG. 8.

1 Claim, 14 Drawing Sheets



US D588,860 S

Page 2

U.S. PATENT DOCUMENTS

D444,994 S	7/2001	Kalina et al.		6,823,772 B2	11/2004	Payen et al.	
D463,711 S	* 10/2002	Josancy	D7/354	7,015,429 B2 *	3/2006	Lau et al.	219/441
D474,937 S	* 5/2003	Josancy	D7/354	D528,853 S *	9/2006	Lloyd	D7/354
D475,570 S	* 6/2003	Josancy	D7/354	D542,095 S *	5/2007	Orent et al.	D7/560
D489,935 S	* 5/2004	Choi	D7/354	2006/0196366 A1	9/2006	Jeuch	

* cited by examiner

Fig. 1

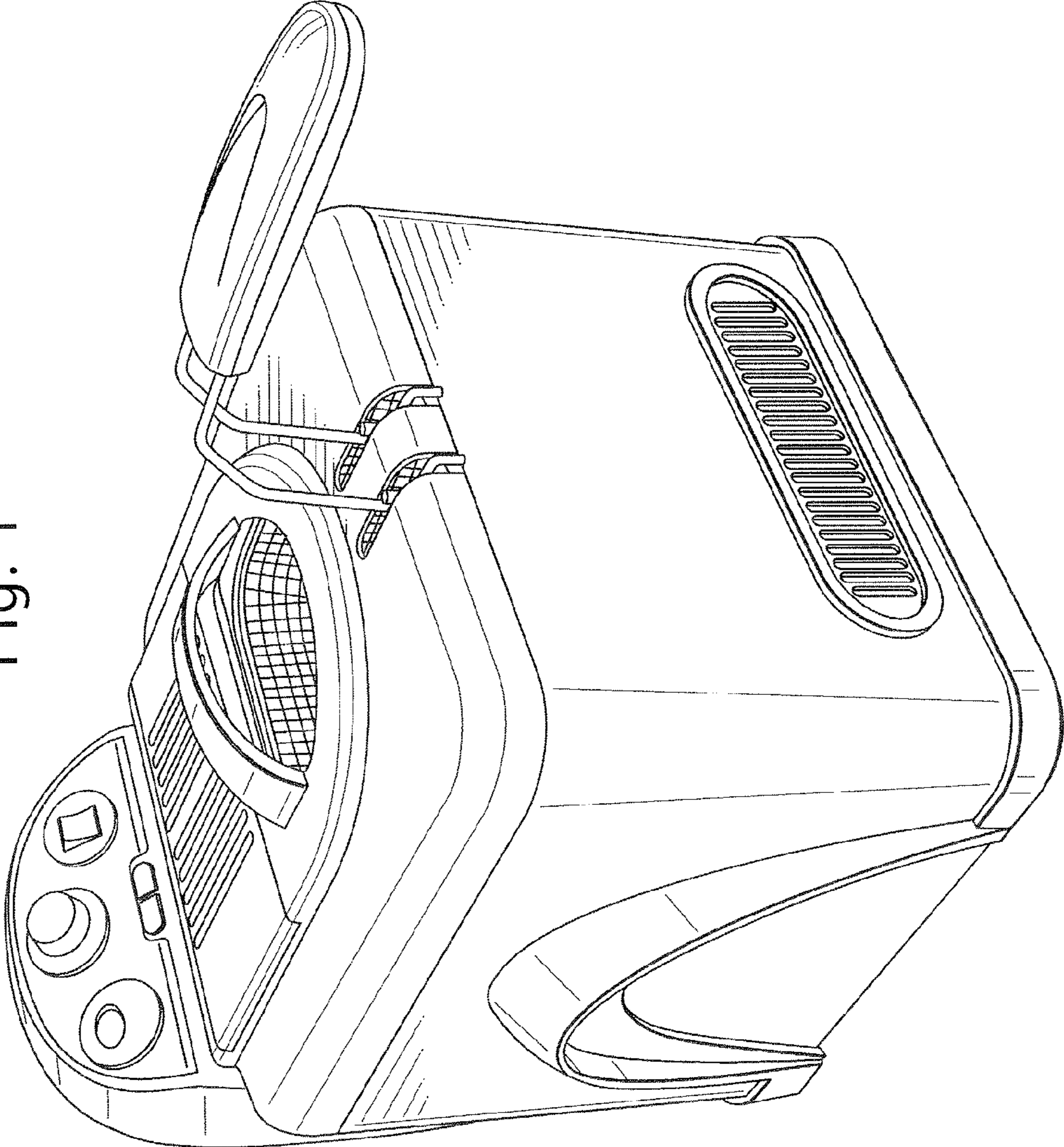


Fig. 2

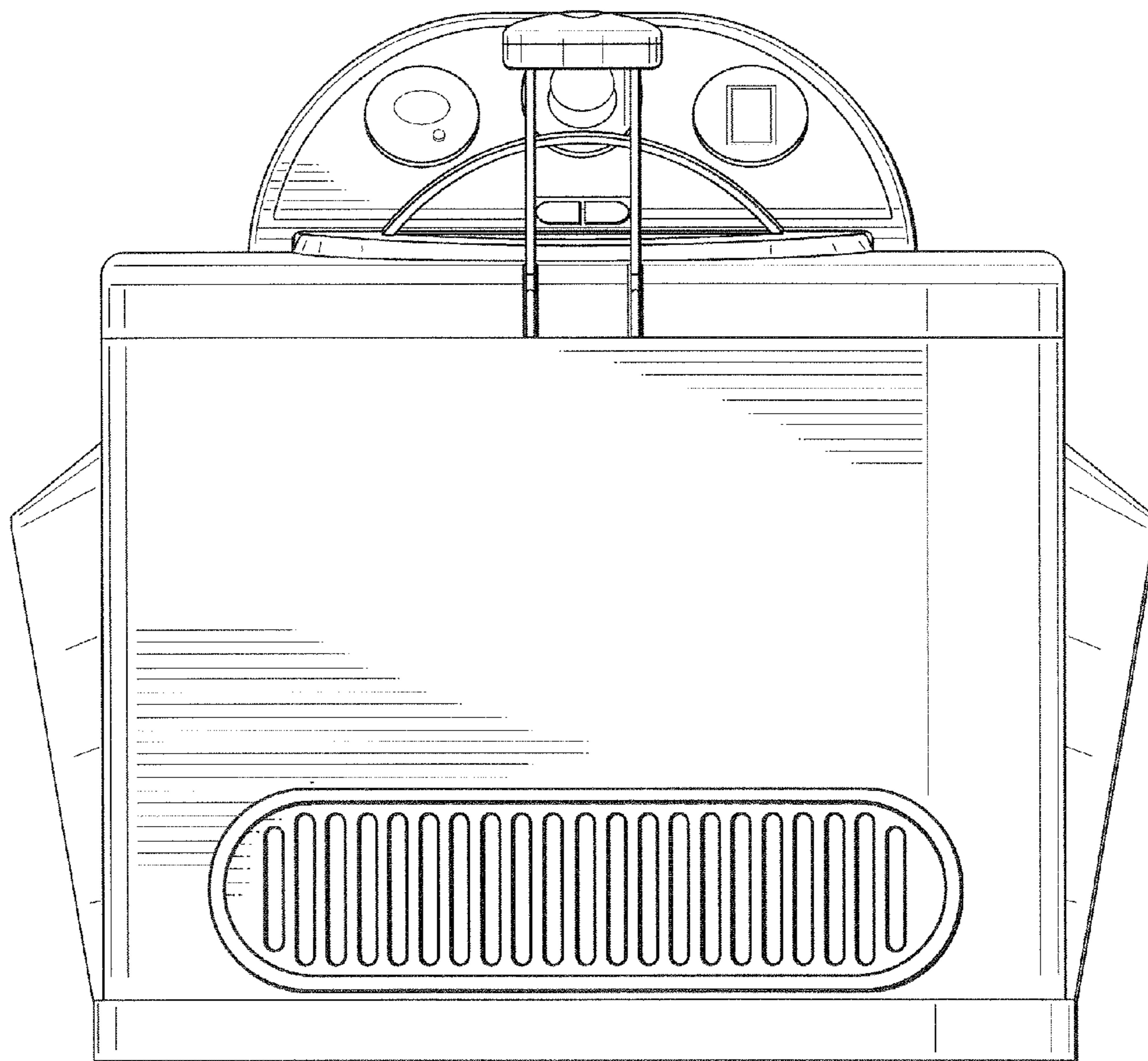


Fig. 3

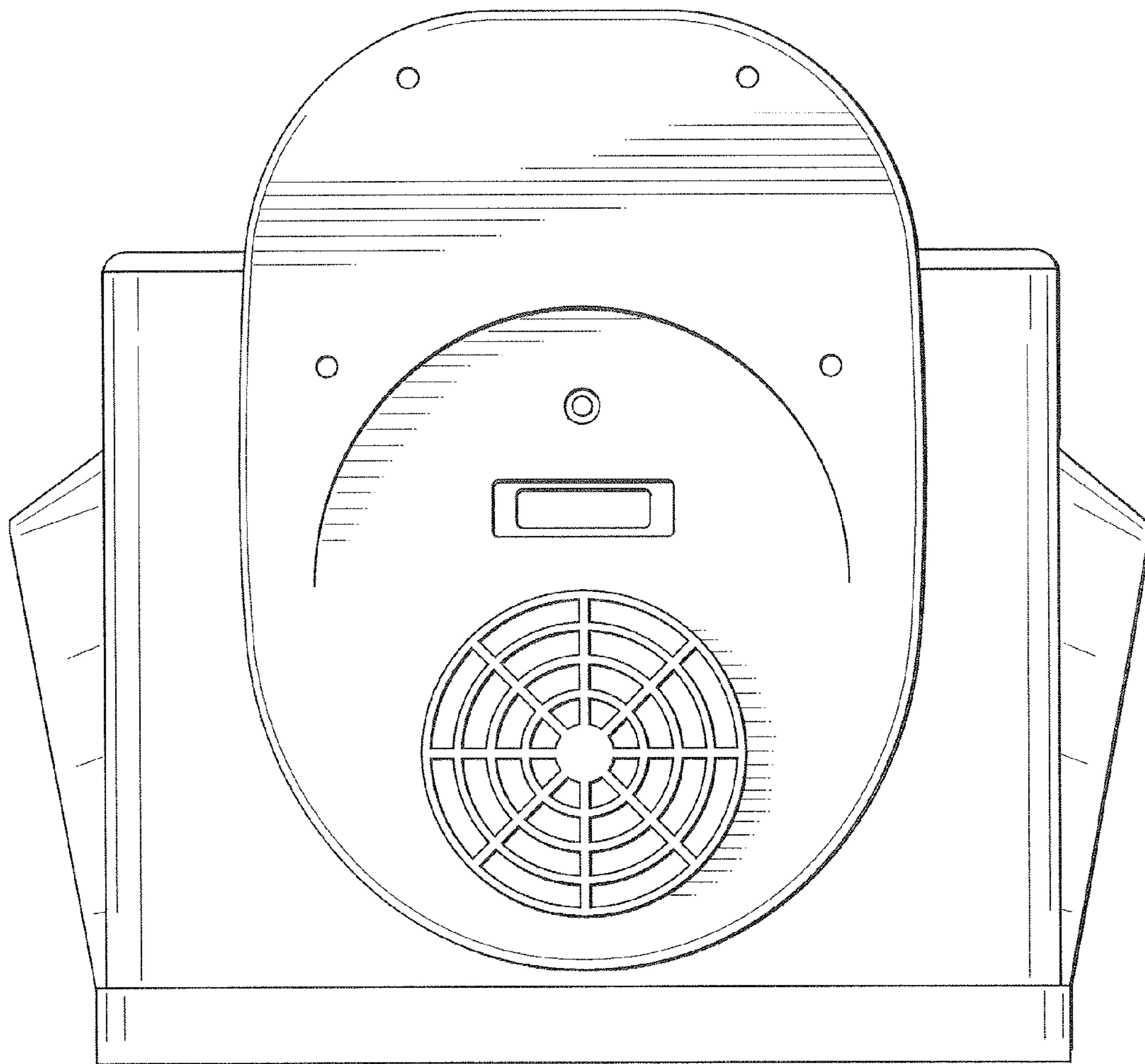


Fig. 4

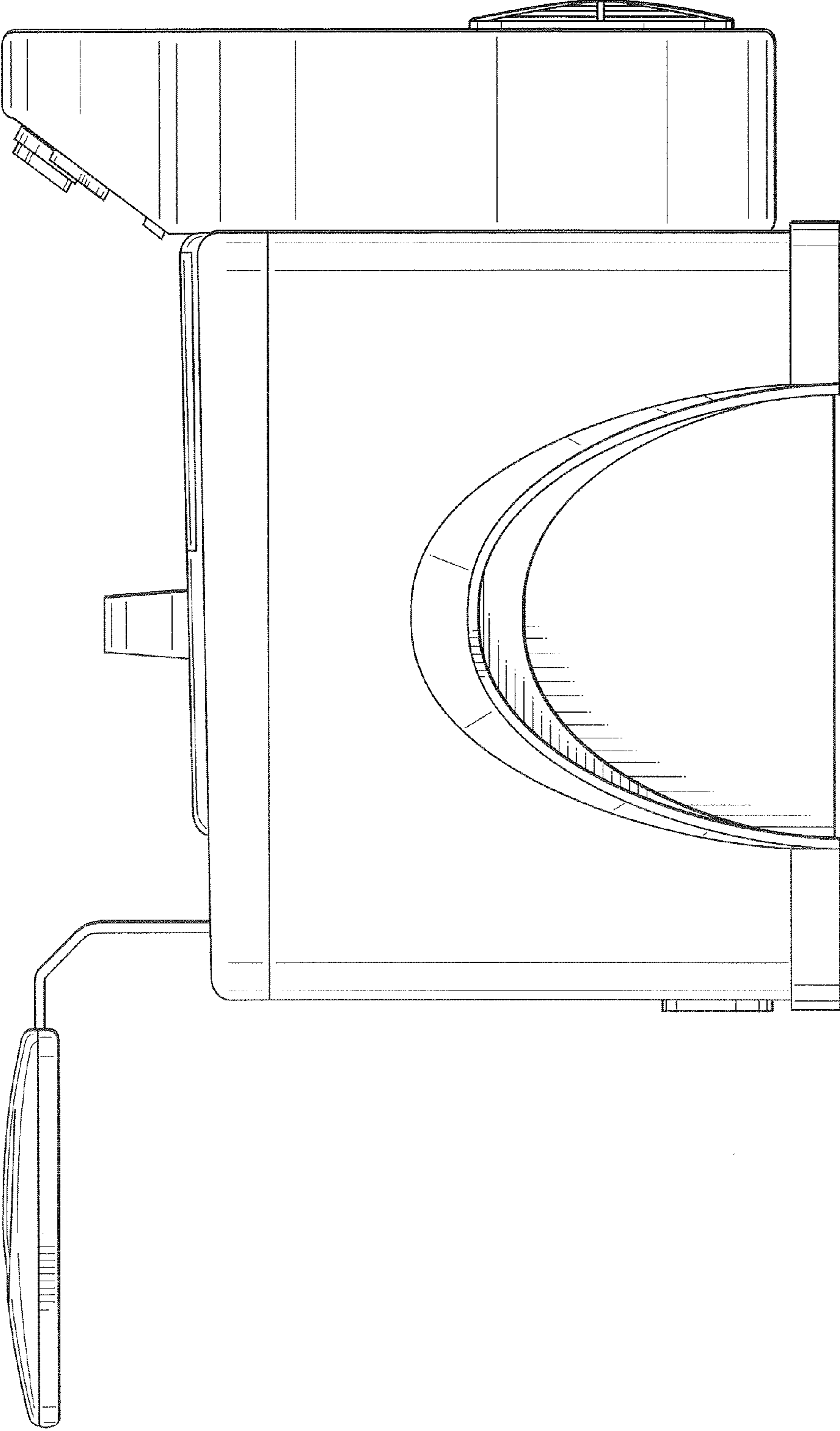


Fig. 5

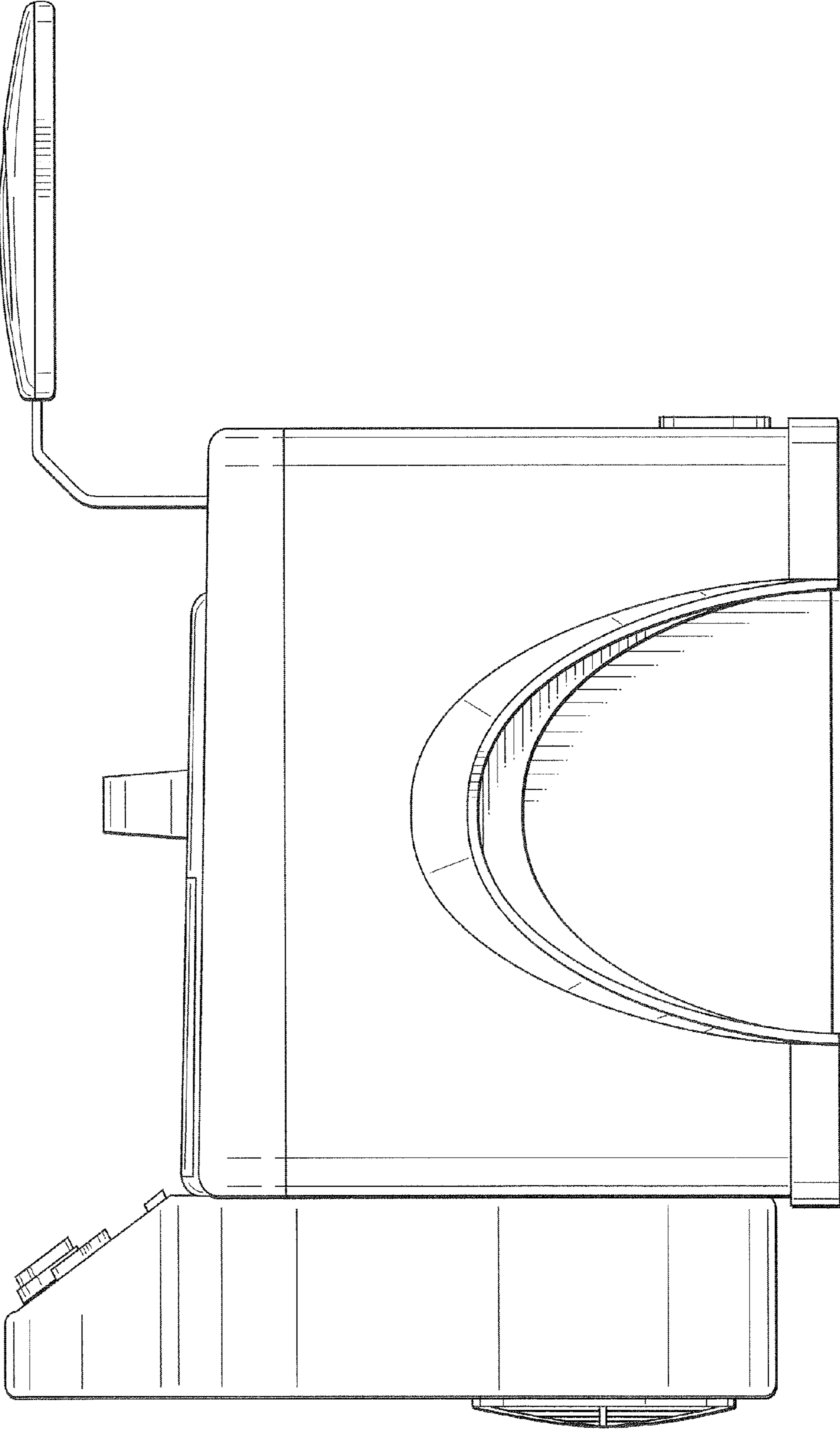


Fig. 6

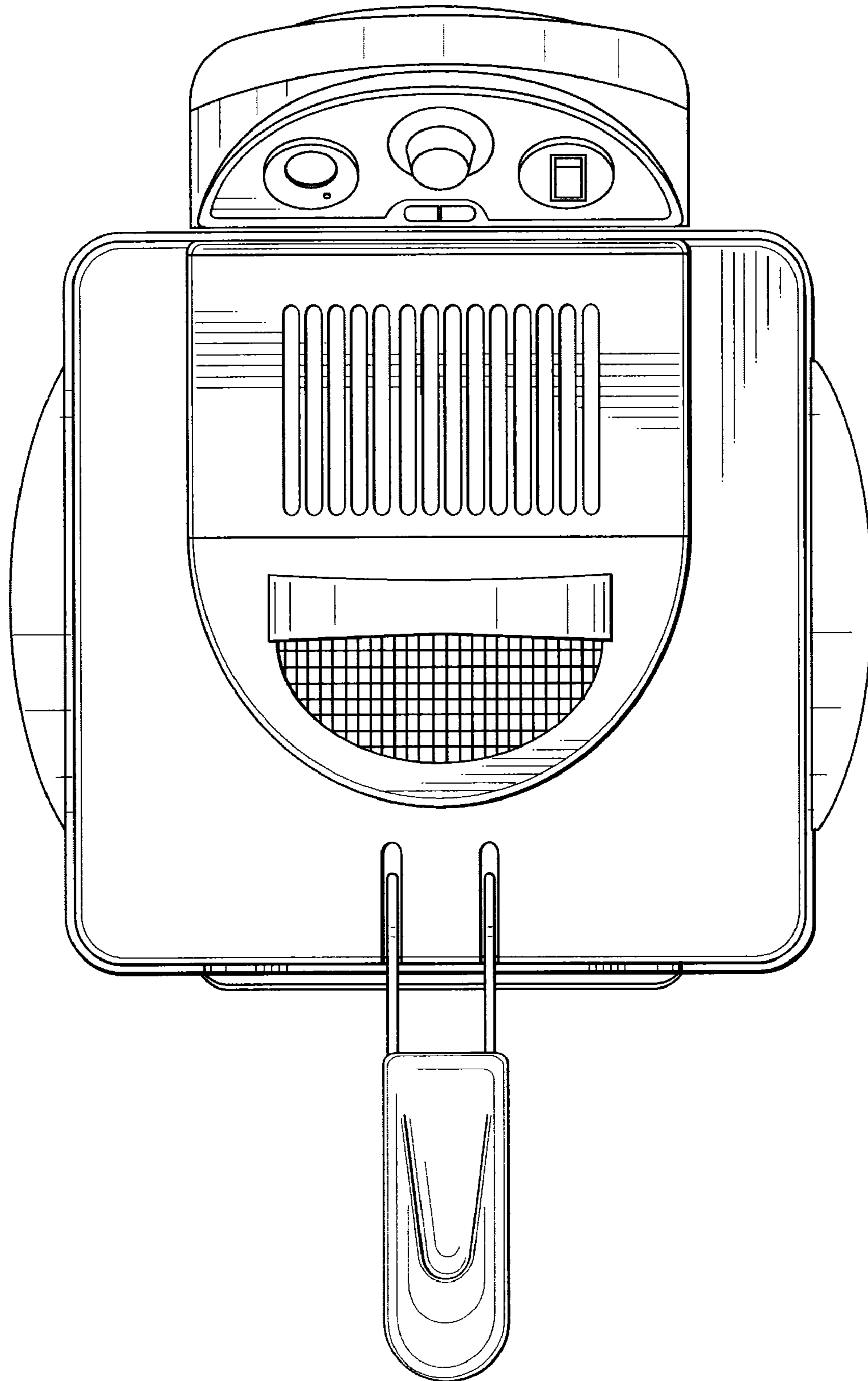


Fig. 7

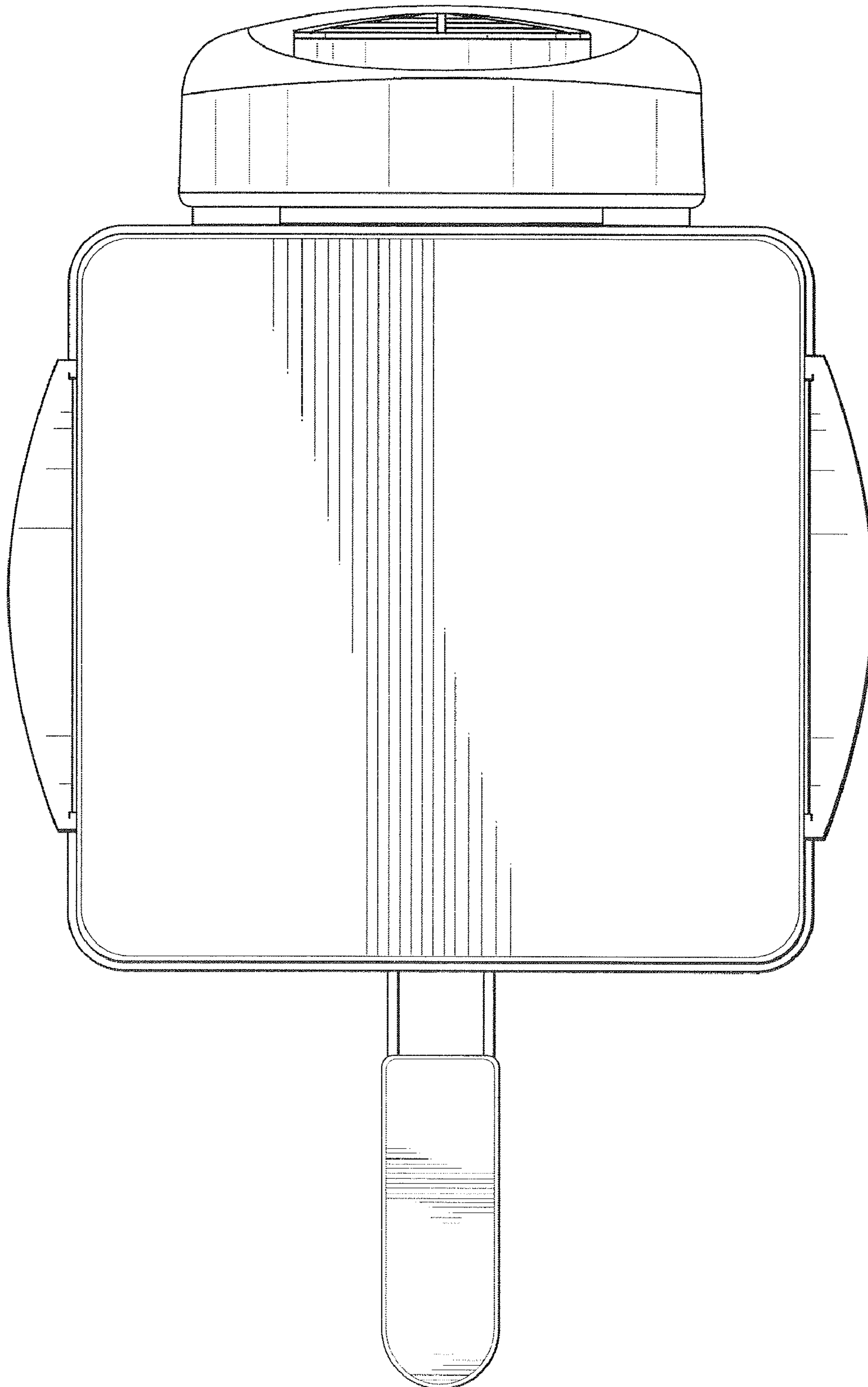


Fig. 8

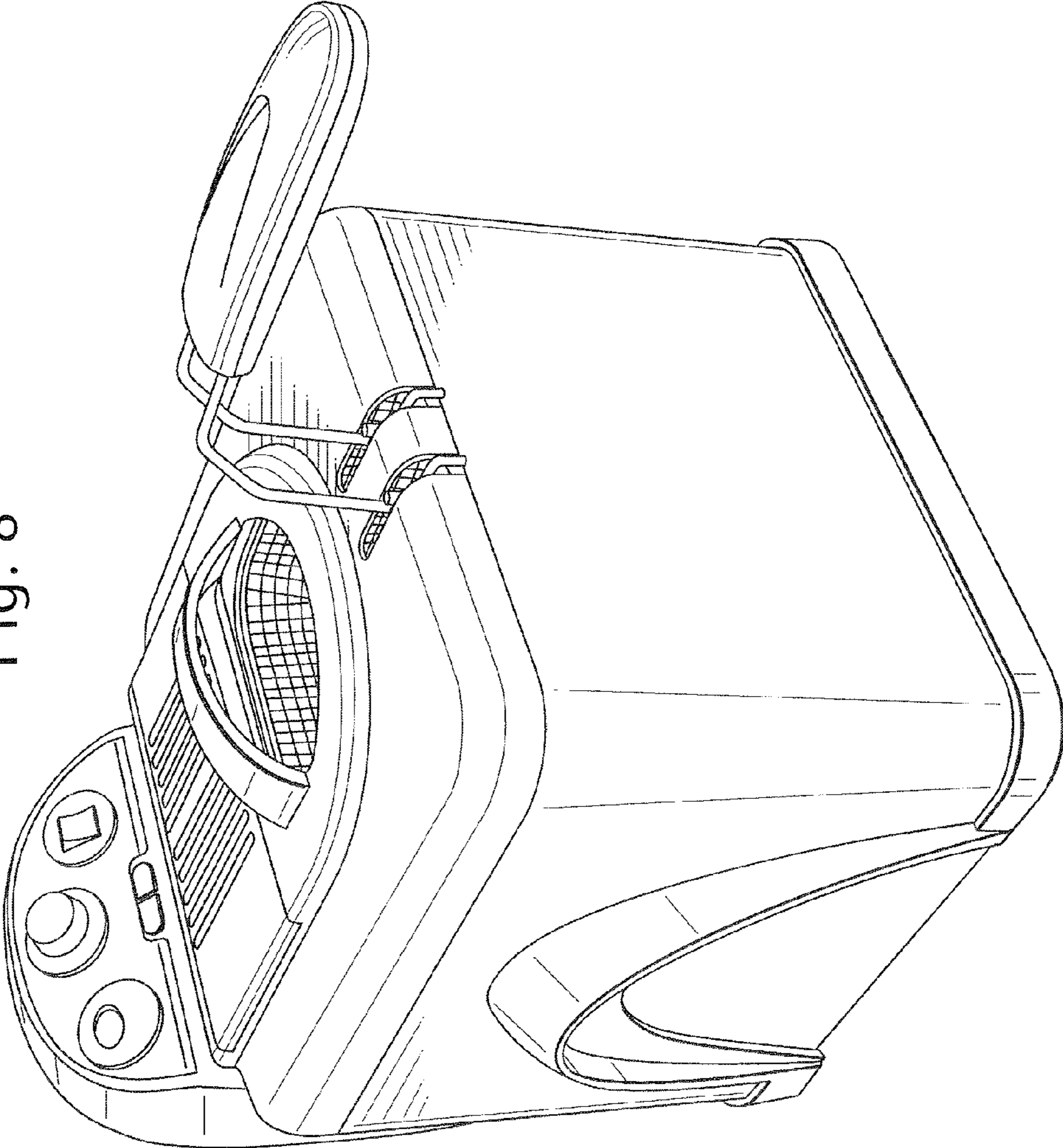


Fig. 9

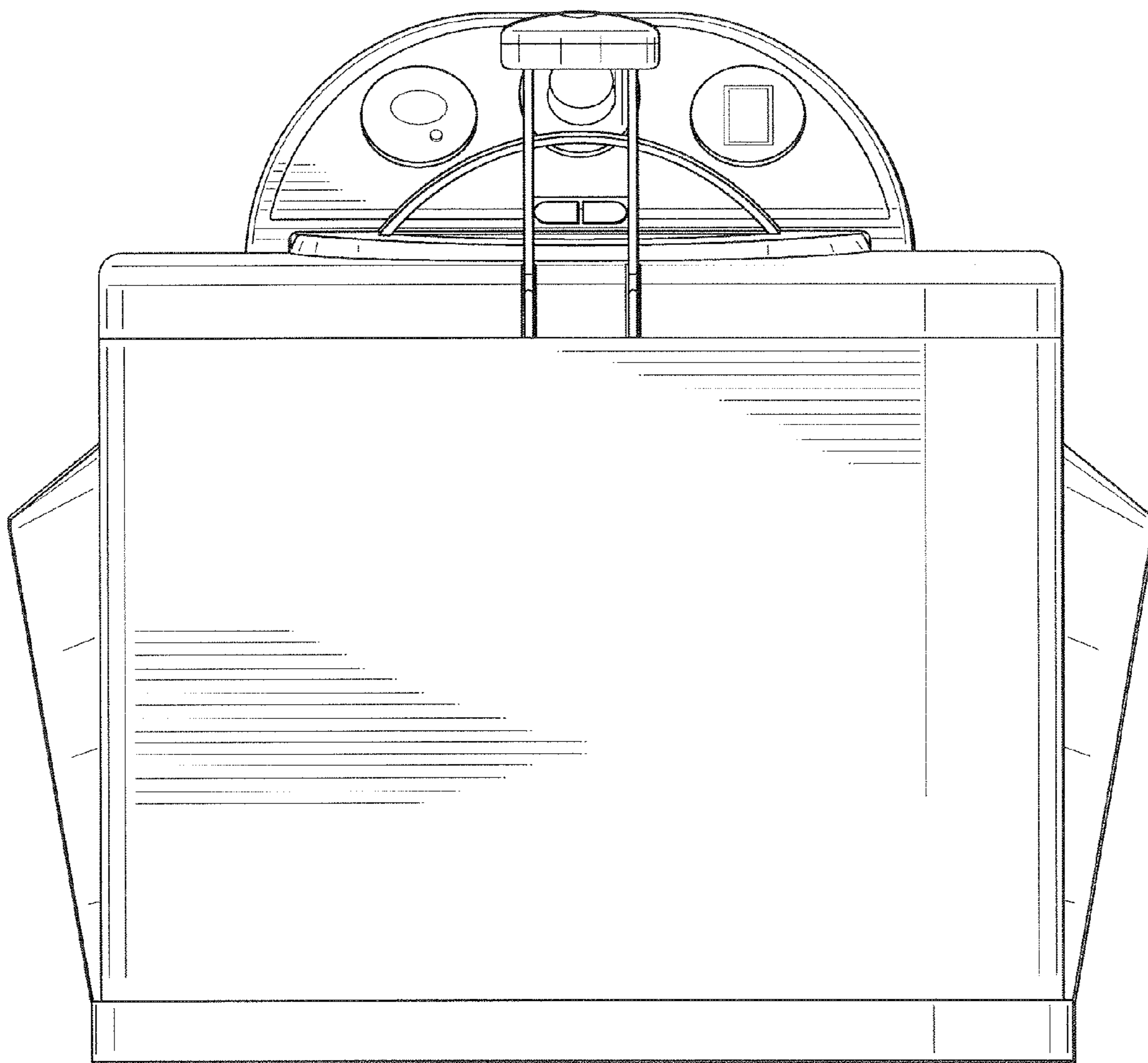


Fig. 10

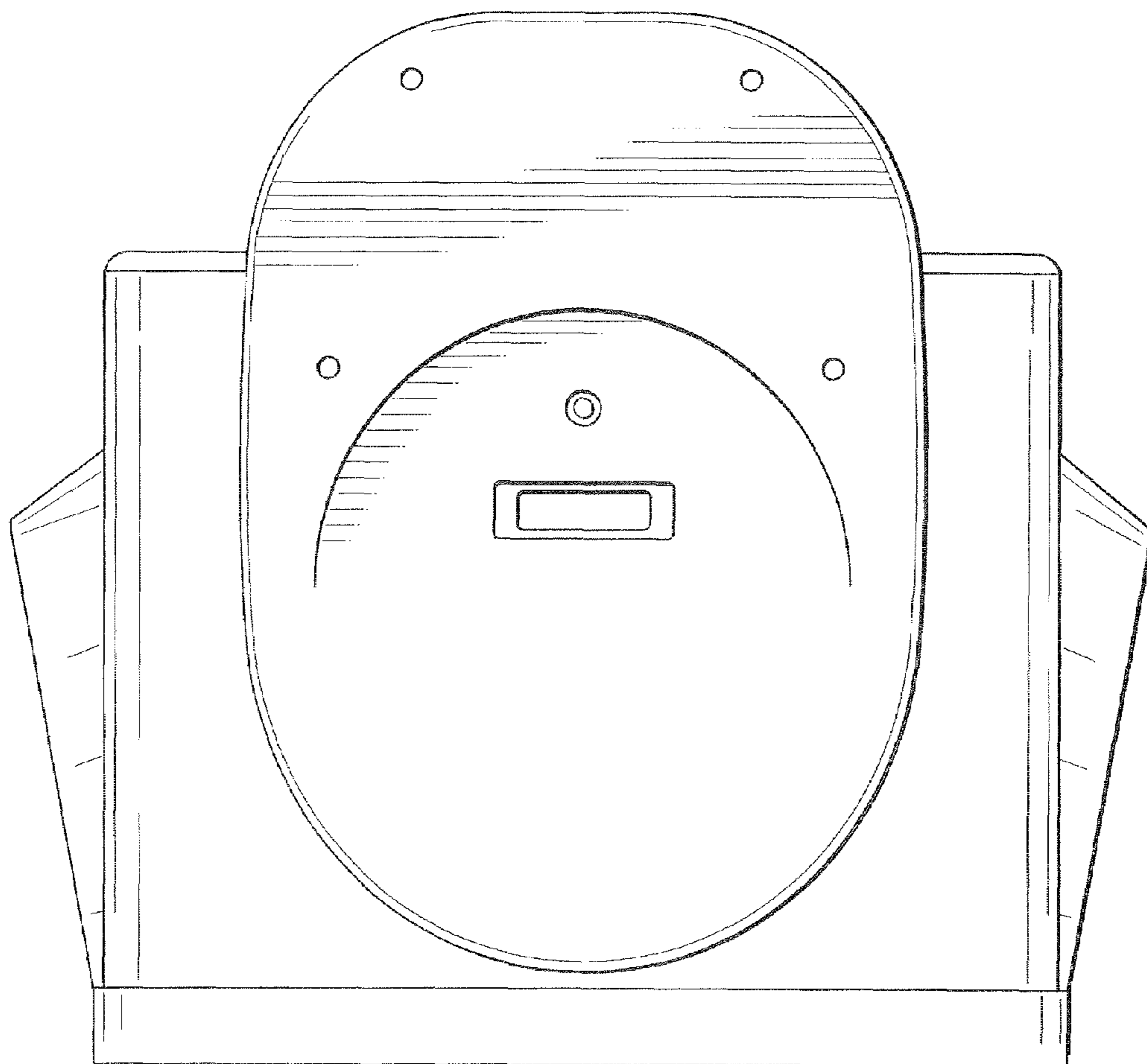


Fig. 11

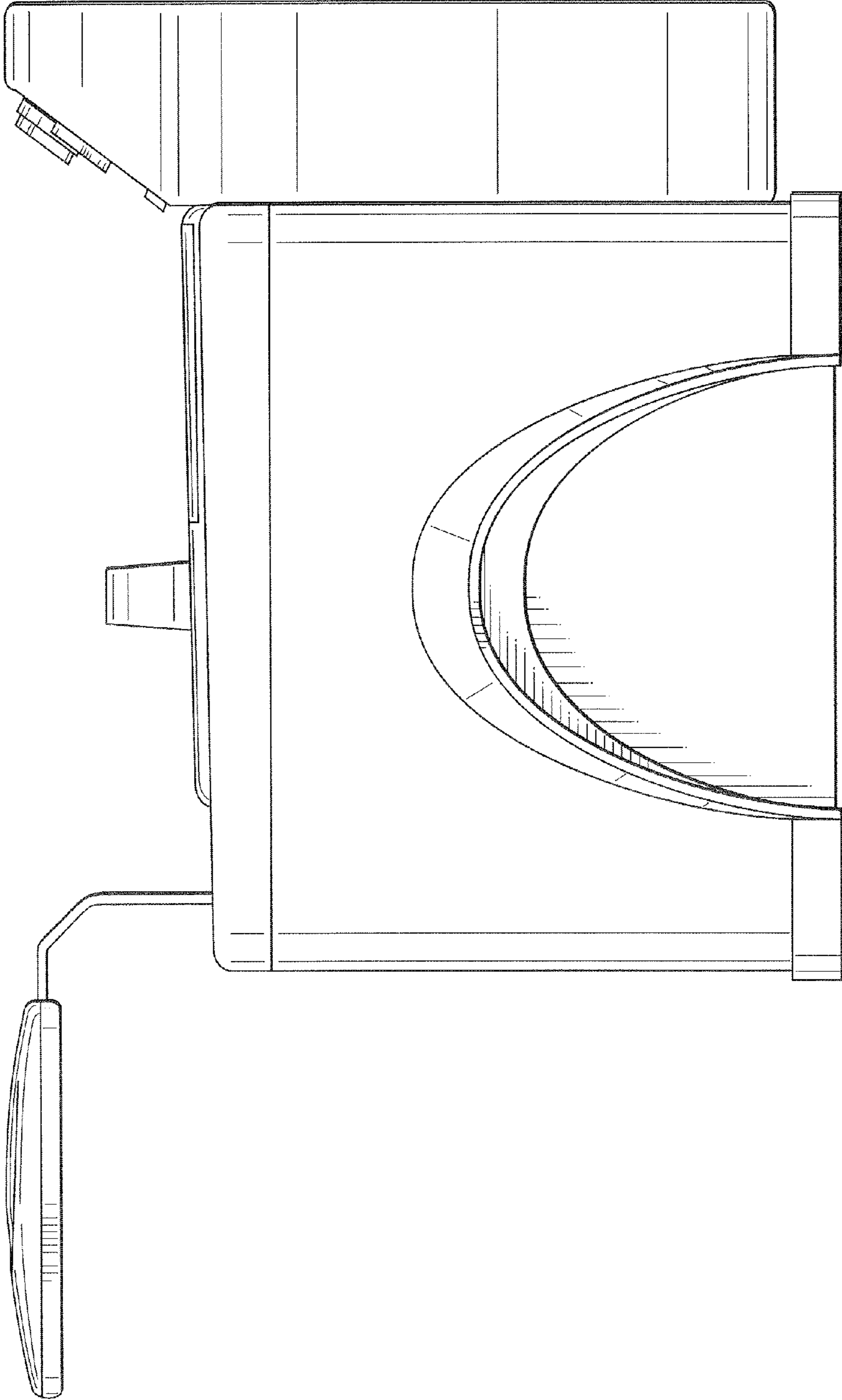


Fig. 12

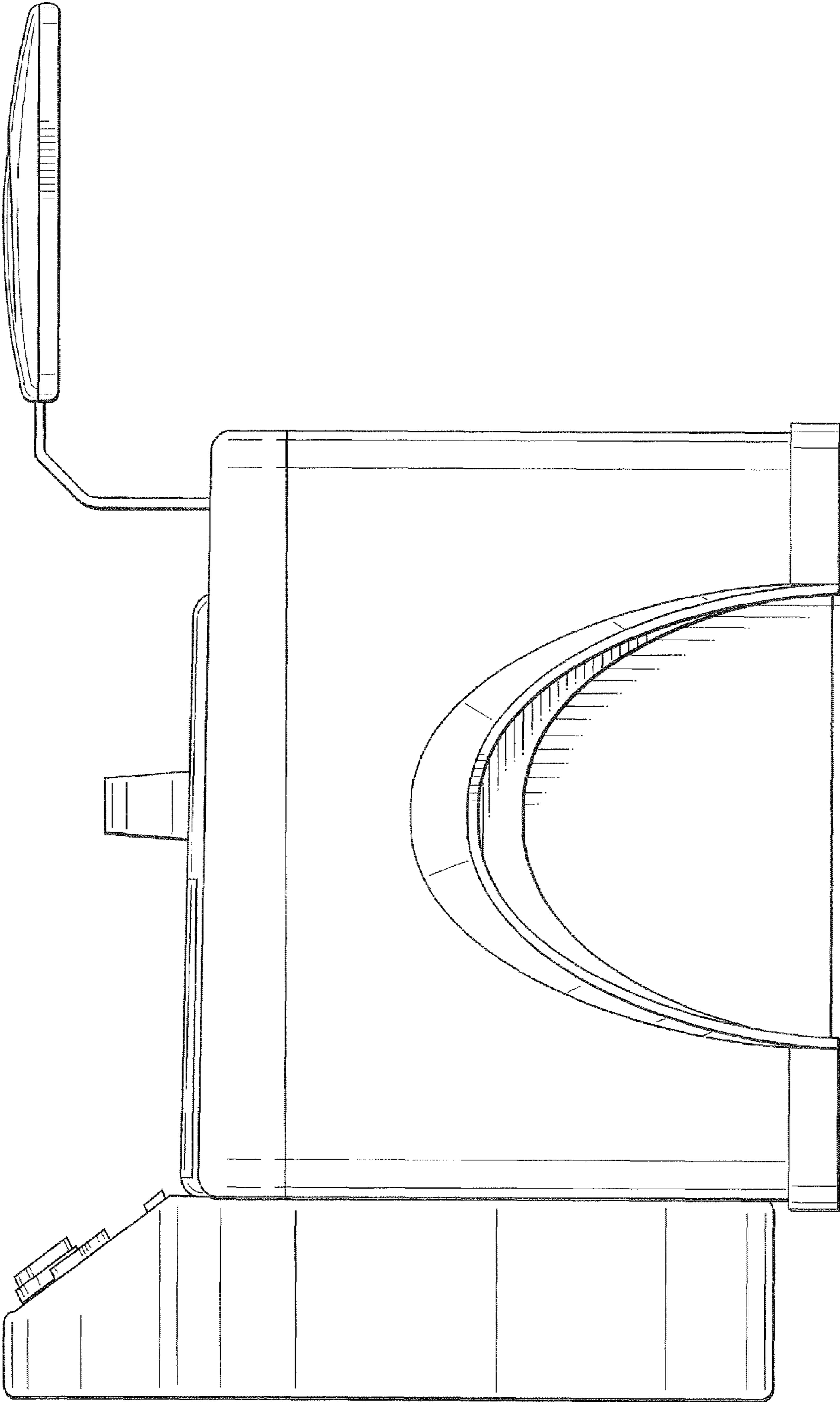


Fig. 13

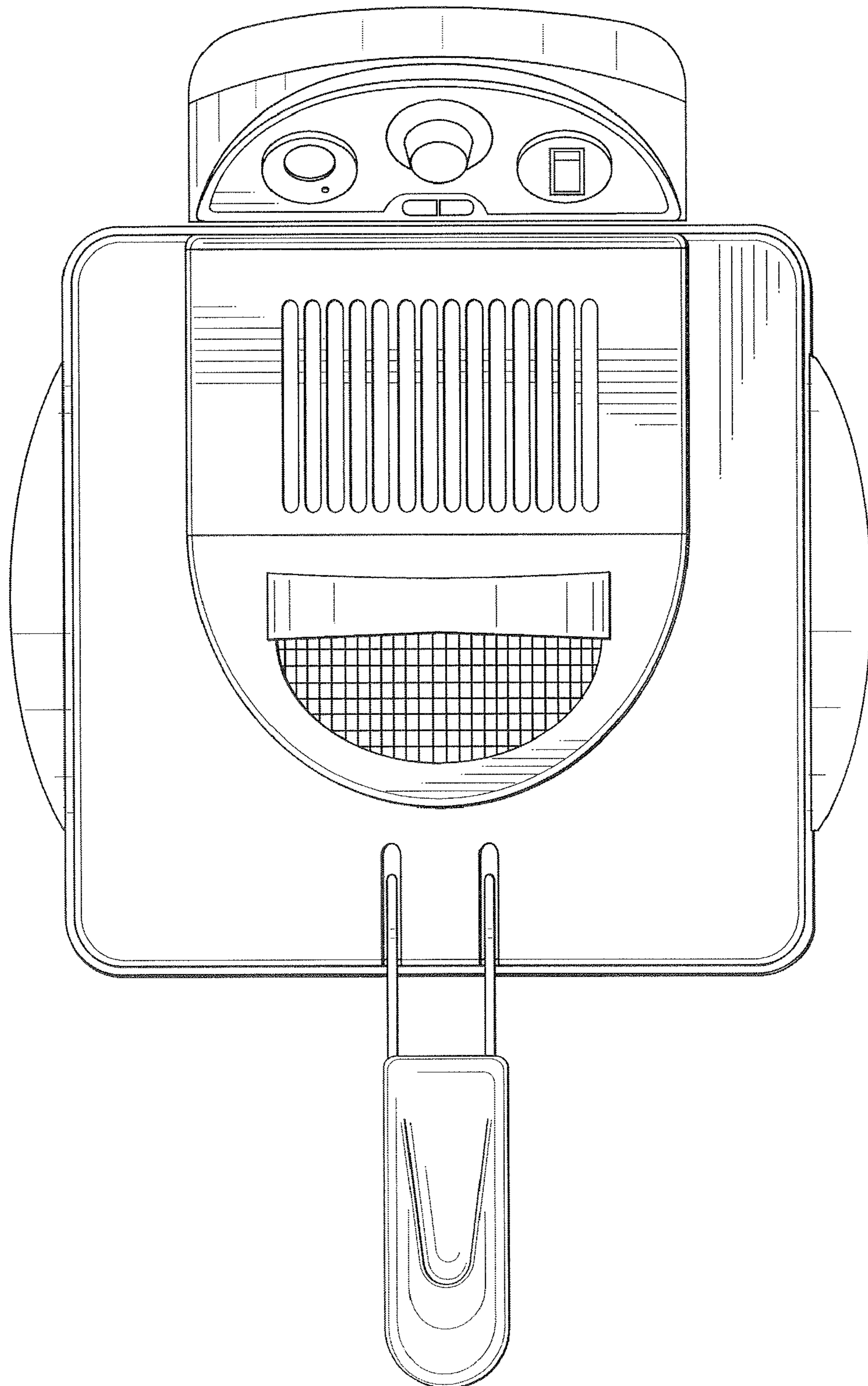


Fig. 14

