



US00D588857S

(12) **United States Design Patent**
Bodum

(10) **Patent No.:** **US D588,857 S**
(45) **Date of Patent:** **** Mar. 24, 2009**

- (54) **ESPRESSO MAKER**
- (75) Inventor: **Jørgen Bodum**, St. Niklausen (CH)
- (73) Assignee: **Pi-Design, AG**, Triengen (CH)
- (**) Term: **14 Years**
- (21) Appl. No.: **29/275,436**
- (22) Filed: **Dec. 26, 2006**
- (30) **Foreign Application Priority Data**
Jun. 27, 2006 (DK) DA 2006 00166
- (51) **LOC (9) Cl.** **07-01**
- (52) **U.S. Cl.** **D7/319; D7/317**
- (58) **Field of Classification Search** D7/300,
D7/316-319; 99/DIG. 14, 306, 285, 287,
99/297, 299, 279; 426/431; 222/475.1, 507,
222/469
See application file for complete search history.

- D449,957 S * 11/2001 Yeh D7/319
- 6,797,304 B2 * 9/2004 McGonagle 426/431
- D500,626 S * 1/2005 Ranzoni D7/317
- D557,978 S * 12/2007 Bodum D7/399
- D568,667 S * 5/2008 Appleton D7/319
- D573,396 S * 7/2008 Gauss D7/319

* cited by examiner

Primary Examiner—Marianne Pandozzi
(74) *Attorney, Agent, or Firm*—Cowan, Liebowitz & Latman, PC

(57) **CLAIM**

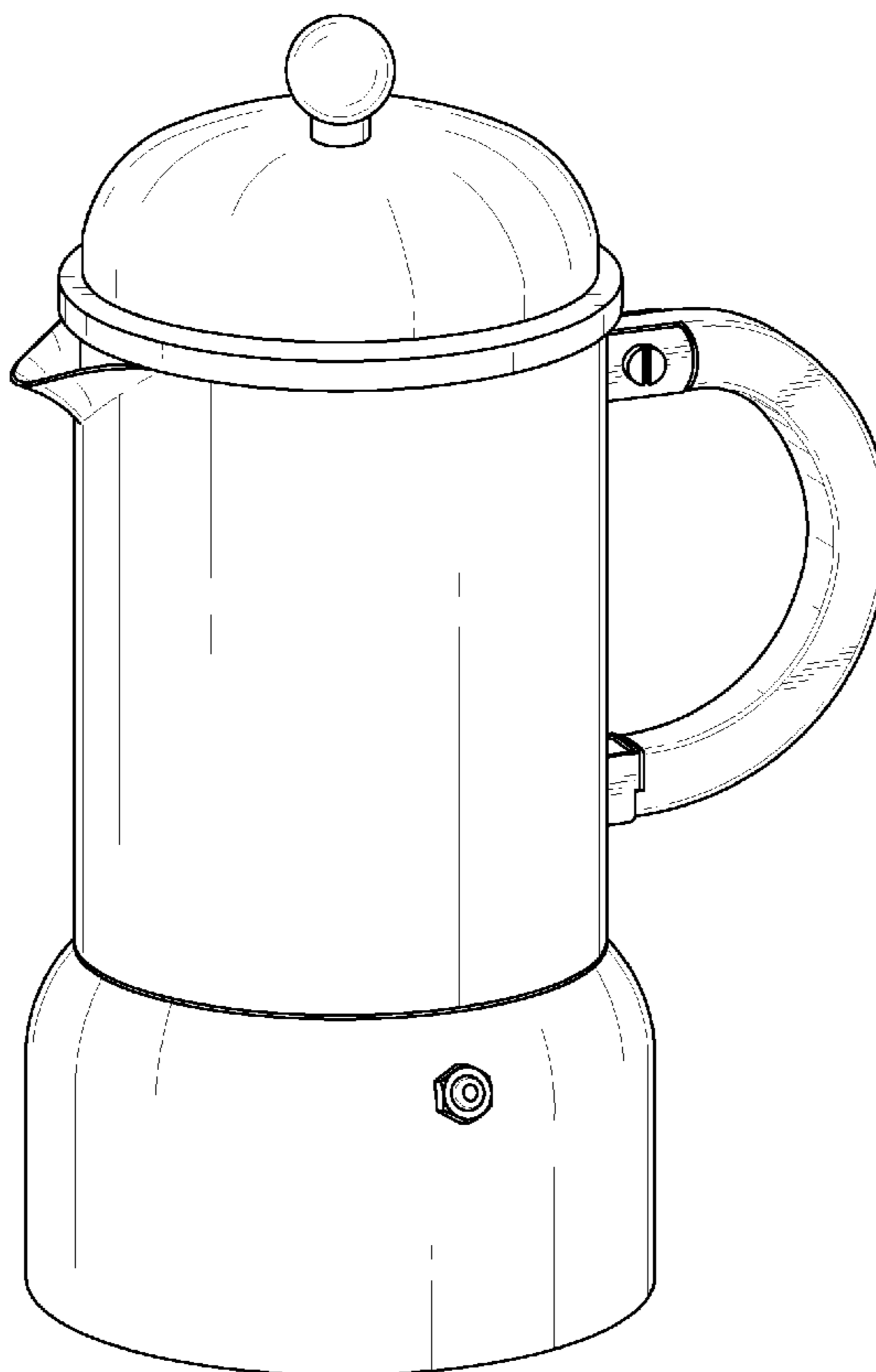
The ornamental design for a espresso maker, as shown and described.

DESCRIPTION

FIG. 1 is a perspective view of the espresso maker showing my design thereof;
FIG. 2 is a front view thereof;
FIG. 3 is a back view thereof;
FIG. 4 is a right side view thereof;
FIG. 5 is a left side view thereof;
FIG. 6 is a top view thereof; and,
FIG. 7 is a bottom view thereof.

1 Claim, 7 Drawing Sheets

- (56) **References Cited**
U.S. PATENT DOCUMENTS
3,927,608 A * 12/1975 Doyel 99/297
5,570,623 A * 11/1996 Lin 99/285
5,635,233 A * 6/1997 Levinson 426/433
D386,040 S * 11/1997 Joergensen D7/317
D441,248 S * 5/2001 Brady D7/319



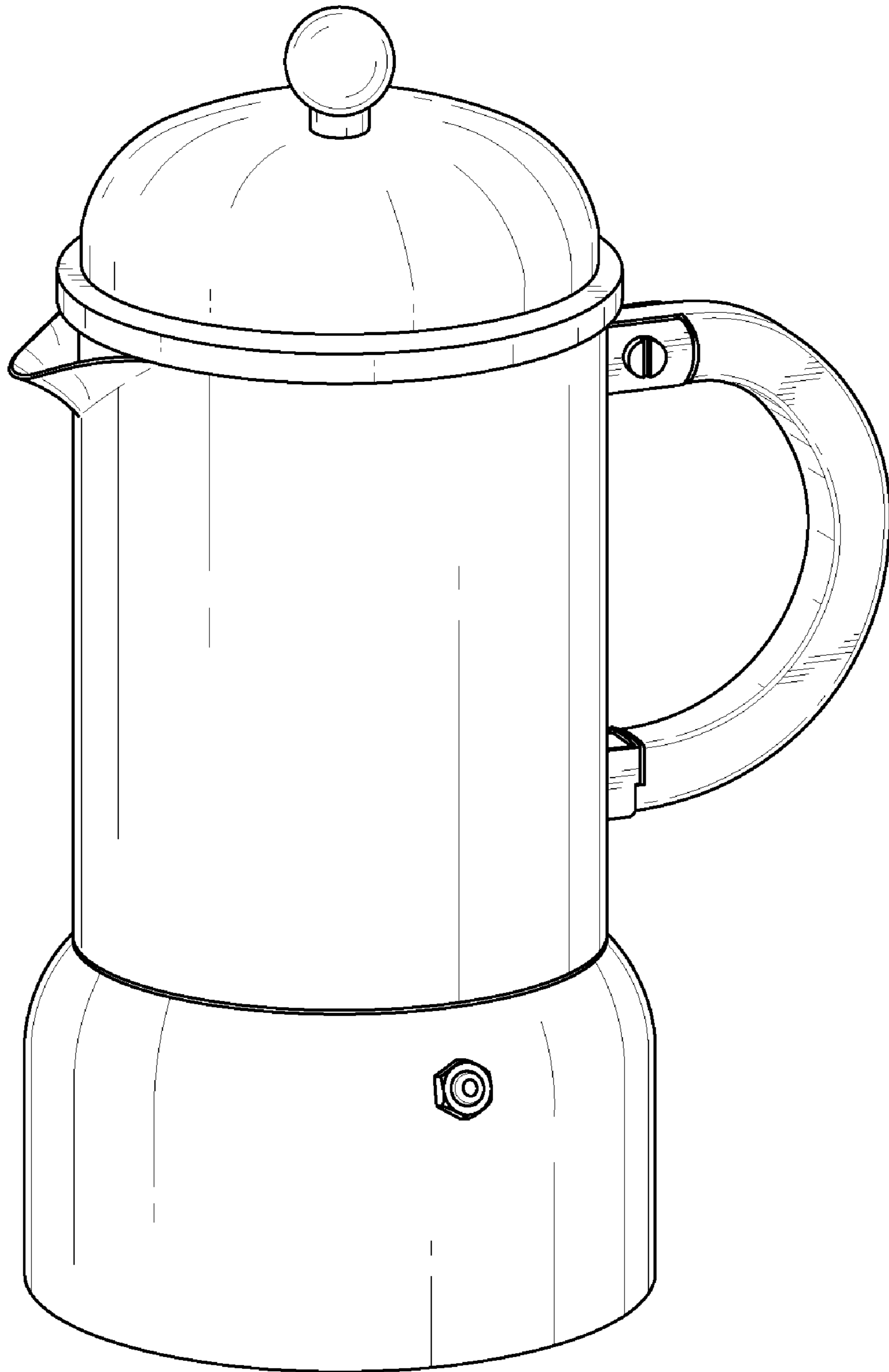


FIG. 1

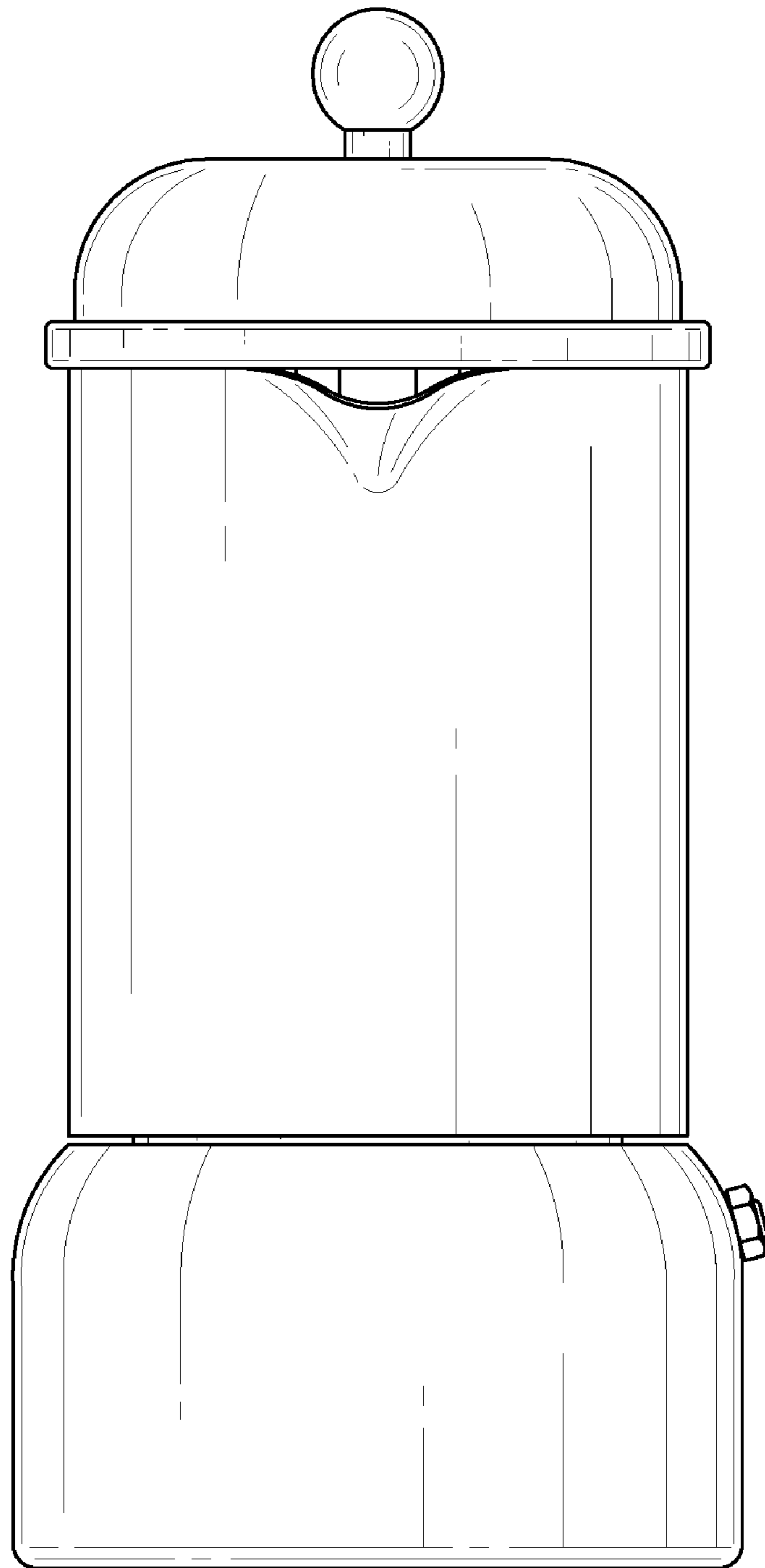


FIG. 2

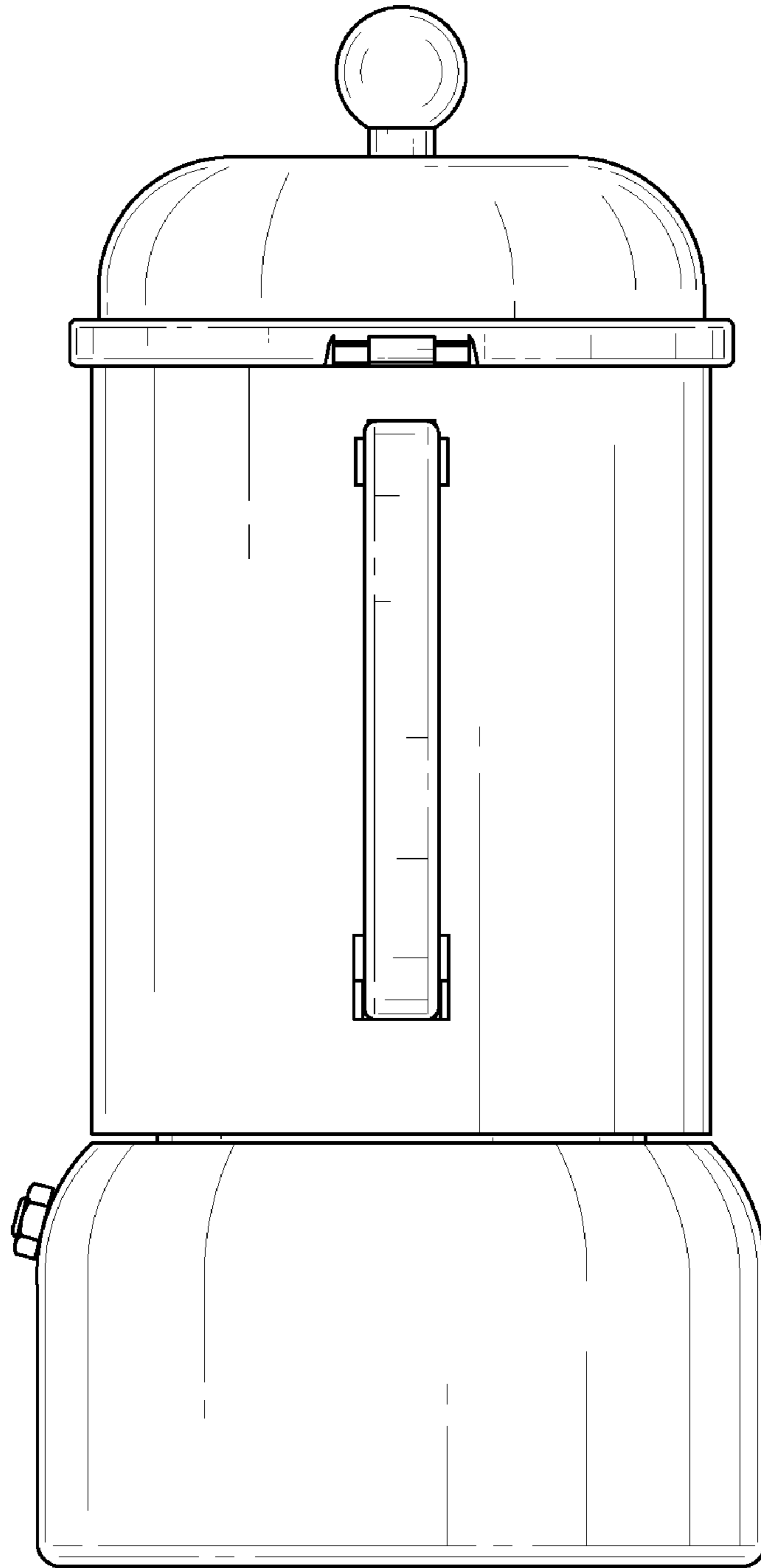


FIG. 3

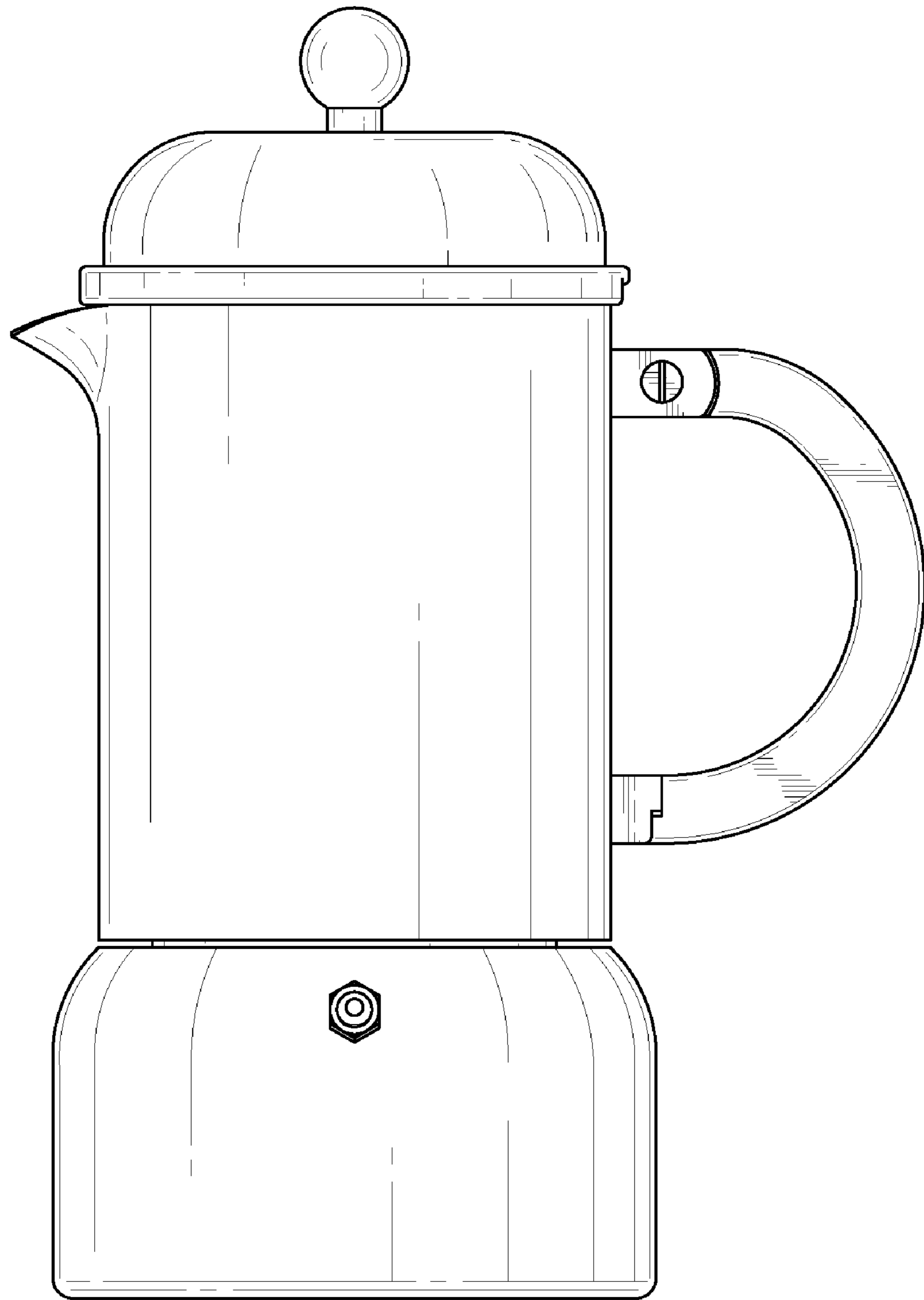


FIG. 4

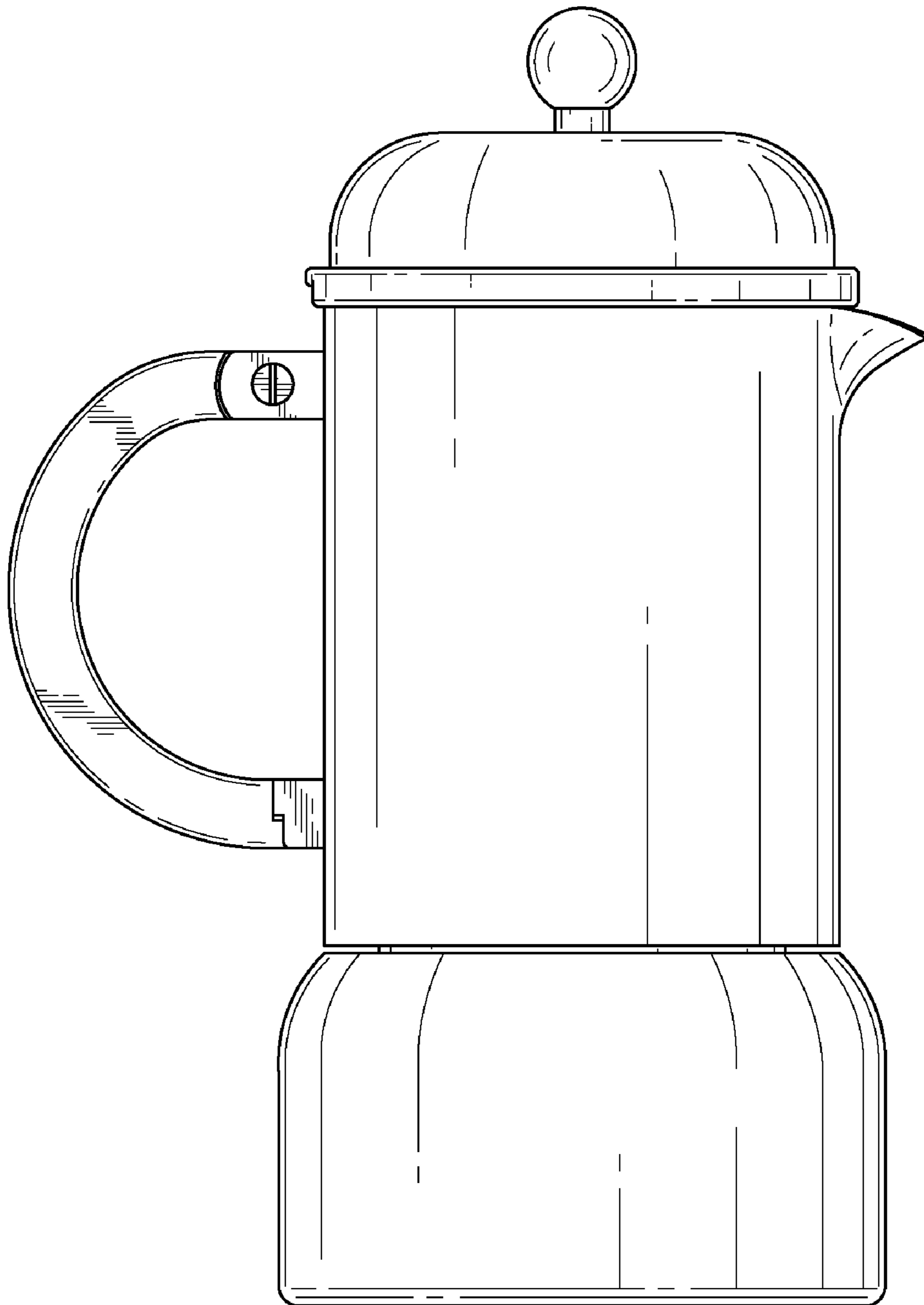


FIG. 5

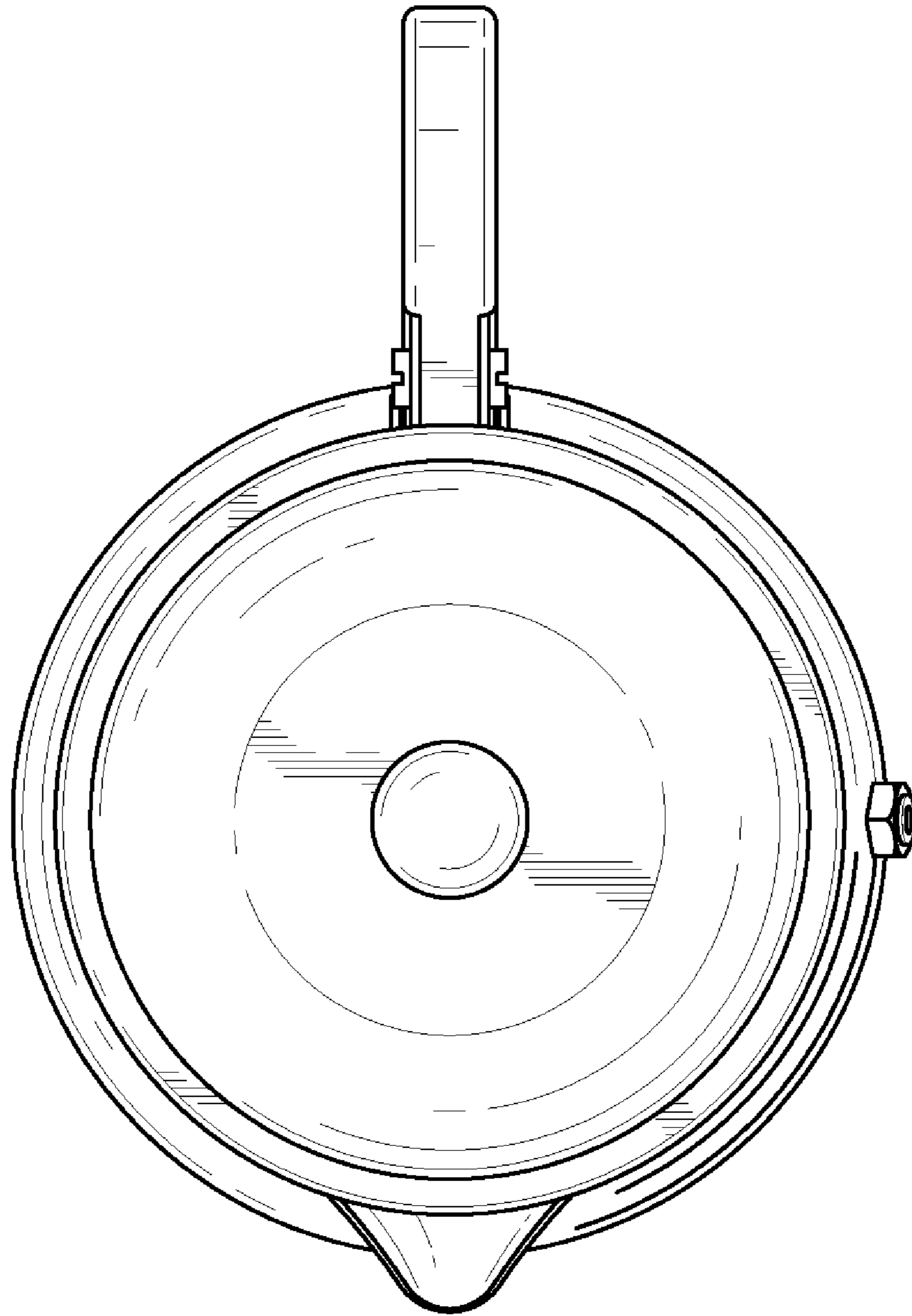


FIG. 6

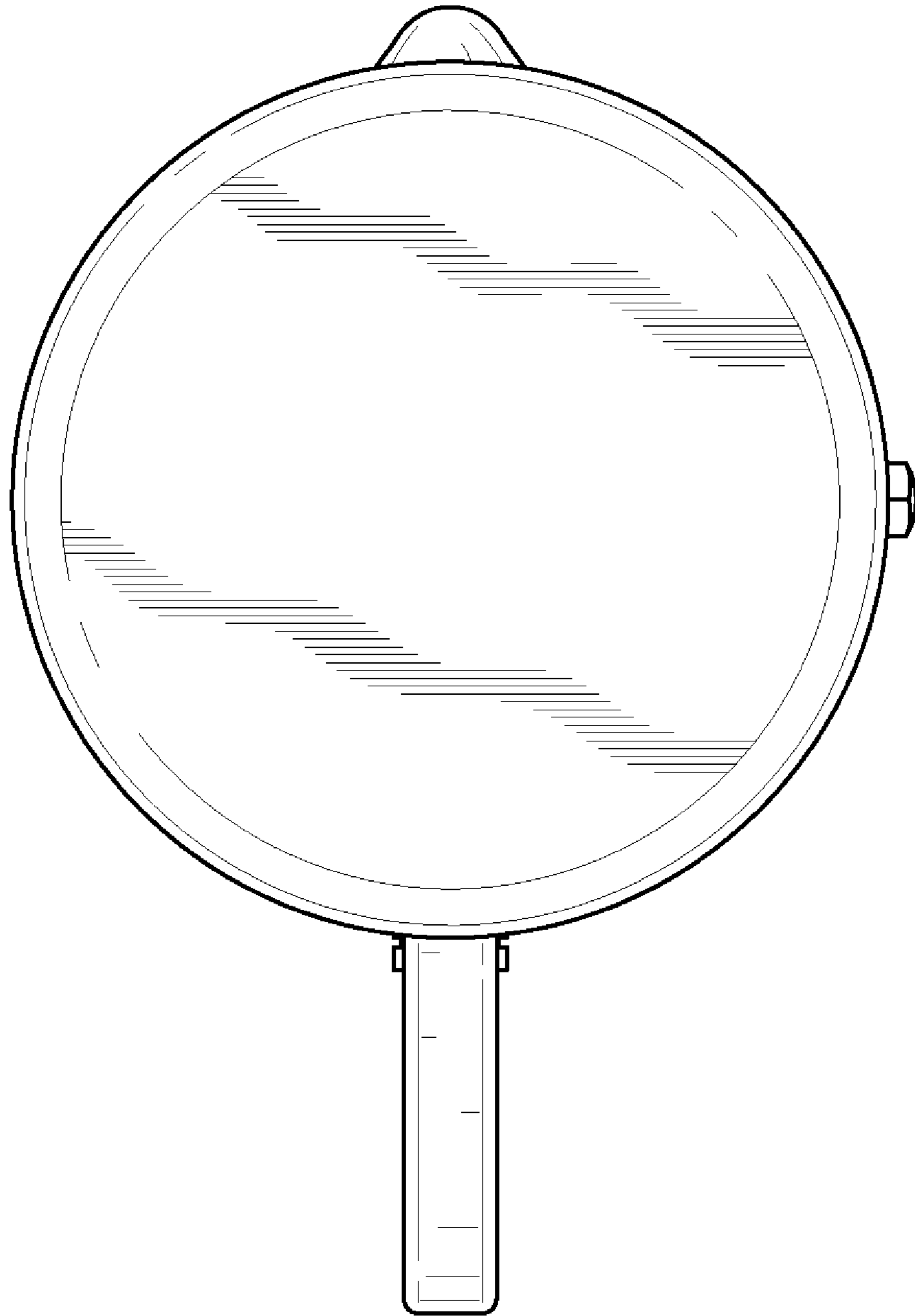


FIG. 7