



US00D588855S

(12) **United States Design Patent**
Jacquet et al.

(10) **Patent No.:** **US D588,855 S**
(45) **Date of Patent:** **** Mar. 24, 2009**

(54) **COFFEE MACHINE**

(75) Inventors: **Remy Jacquet**, Le Locle (CH);
Sebastien Dassi, Saint-Blaise (CH);
Pierre Struzka, Lausanne (CH)

(73) Assignee: **Societe des Produits Nestle S.A.**, Vevey (CH)

(**) Term: **14 Years**

(21) Appl. No.: **29/298,641**

(22) Filed: **Dec. 10, 2007**

(30) **Foreign Application Priority Data**

Jul. 12, 2007 (CH) 134107

(51) **LOC (9) Cl.** **07-01**

(52) **U.S. Cl.** **D7/309; D7/310; D7/311**

(58) **Field of Classification Search** D7/309-311,
D7/306-308, 399, 397, 301; 222/129.1;
99/299, 281, 302 R, 292, 275, 282

See application file for complete search history.

(56) **References Cited**

U.S. PATENT DOCUMENTS

D165,824 S *	2/1952	Collins	D7/301
4,760,774 A *	8/1988	Lin	99/299
D299,304 S *	1/1989	Knochner et al.	D7/309
D353,296 S *	12/1994	Assmann	D7/309
D386,943 S *	12/1997	Demore et al.	D7/397
D393,568 S *	4/1998	Storsberg	D7/400
D411,705 S *	6/1999	Littmann	D7/309
D430,771 S *	9/2000	Saltet	D7/309

D496,214 S *	9/2004	Ledingham et al.	D7/309
D496,553 S *	9/2004	Bodum	D7/309
D501,751 S *	2/2005	Lin	D7/309
D502,053 S *	2/2005	Bodum	D7/400
D511,432 S *	11/2005	Babkes	D7/319
D522,793 S *	6/2006	Weaden	D7/309
D548,507 S *	8/2007	Jacquet et al.	D7/309

* cited by examiner

Primary Examiner—Marianne Pandozzi

(74) *Attorney, Agent, or Firm*—Bell, Boyd & Lloyd LLP

(57) **CLAIM**

The ornamental design for a coffee machine, as shown and described.

DESCRIPTION

FIG. 1 illustrates a front perspective view of the coffee machine;

FIG. 2 illustrates a front elevation view of the coffee machine of FIG. 1;

FIG. 3 illustrates a rear elevation view of the coffee machine of FIG. 1;

FIG. 4 illustrates a top view of the coffee machine of FIG. 1;

FIG. 5 illustrates a bottom view of the coffee machine of FIG. 1;

FIG. 6 illustrates a left side elevation view of the coffee machine of FIG. 1; and,

FIG. 7 illustrates a right side elevation view of the coffee machine of FIG. 1.

1 Claim, 4 Drawing Sheets

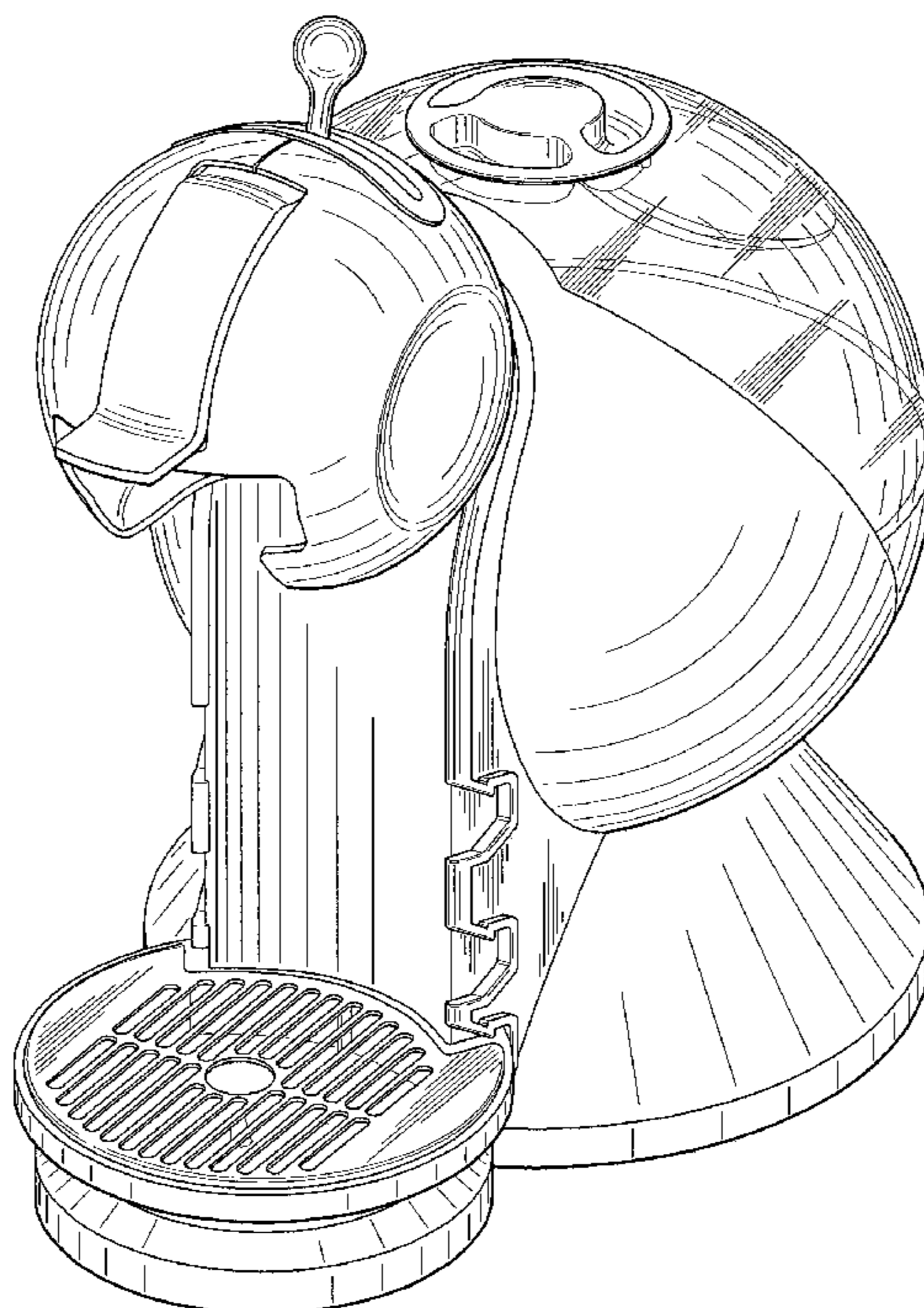


FIG. 1

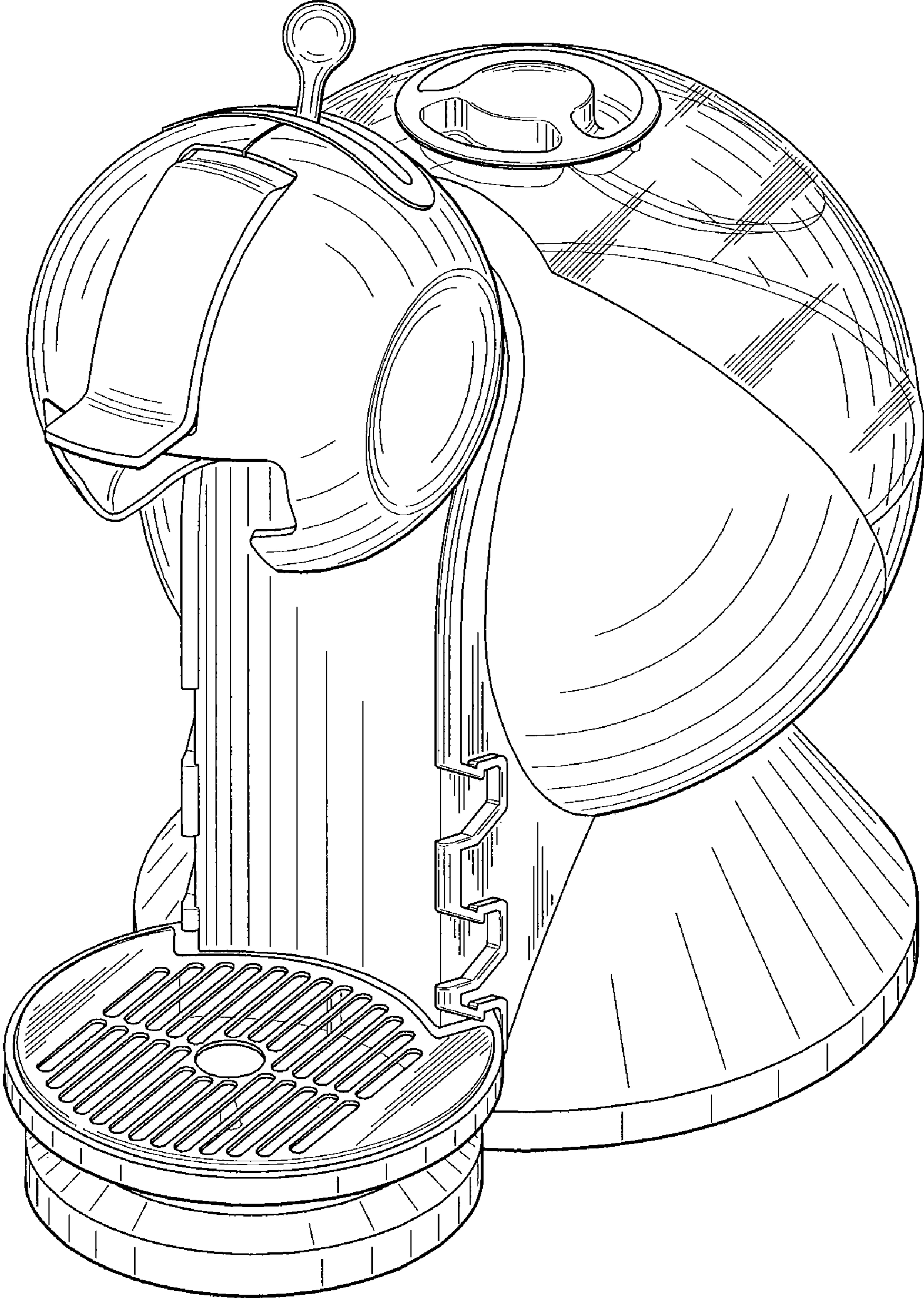


FIG. 2

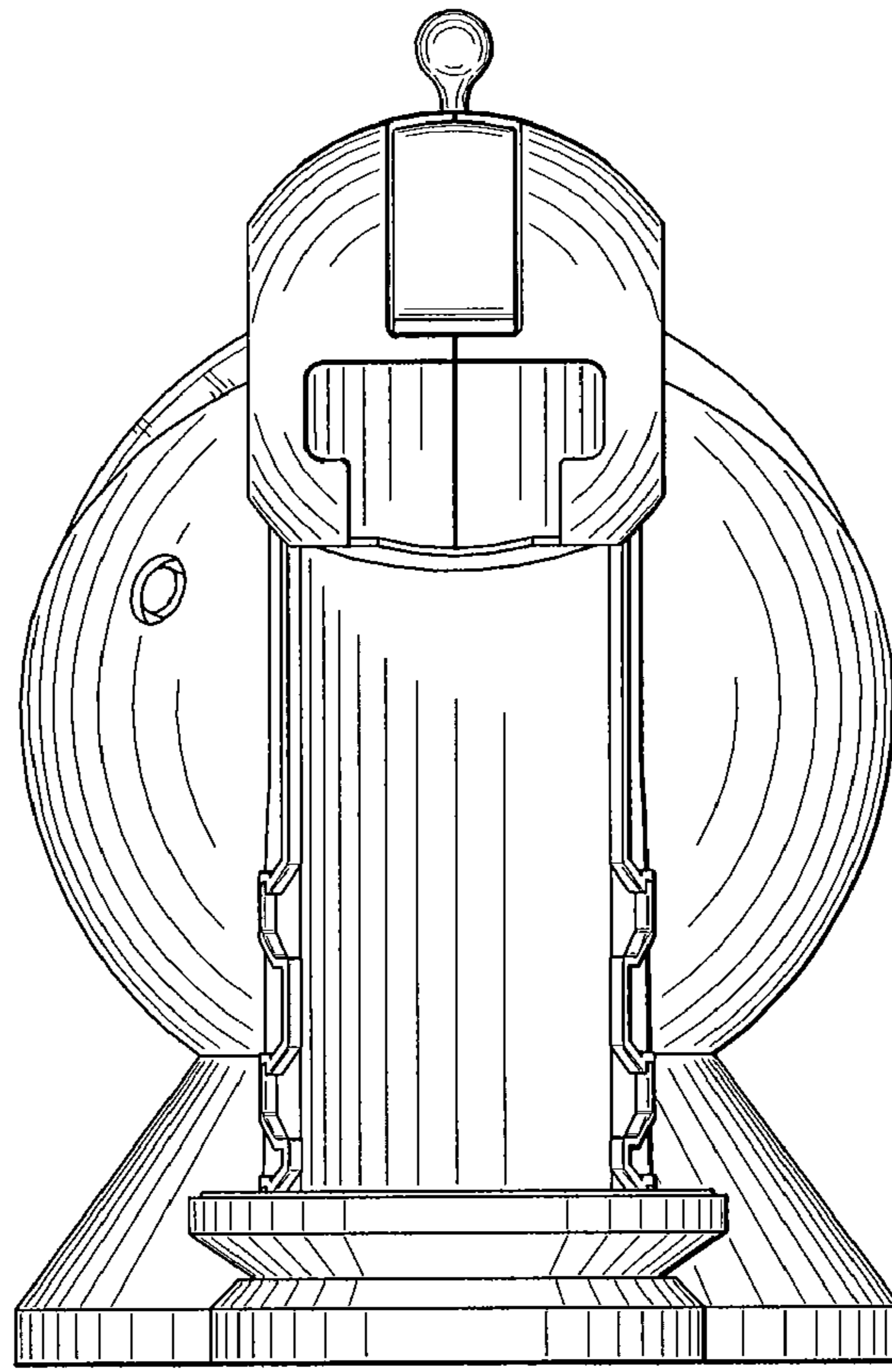


FIG. 3

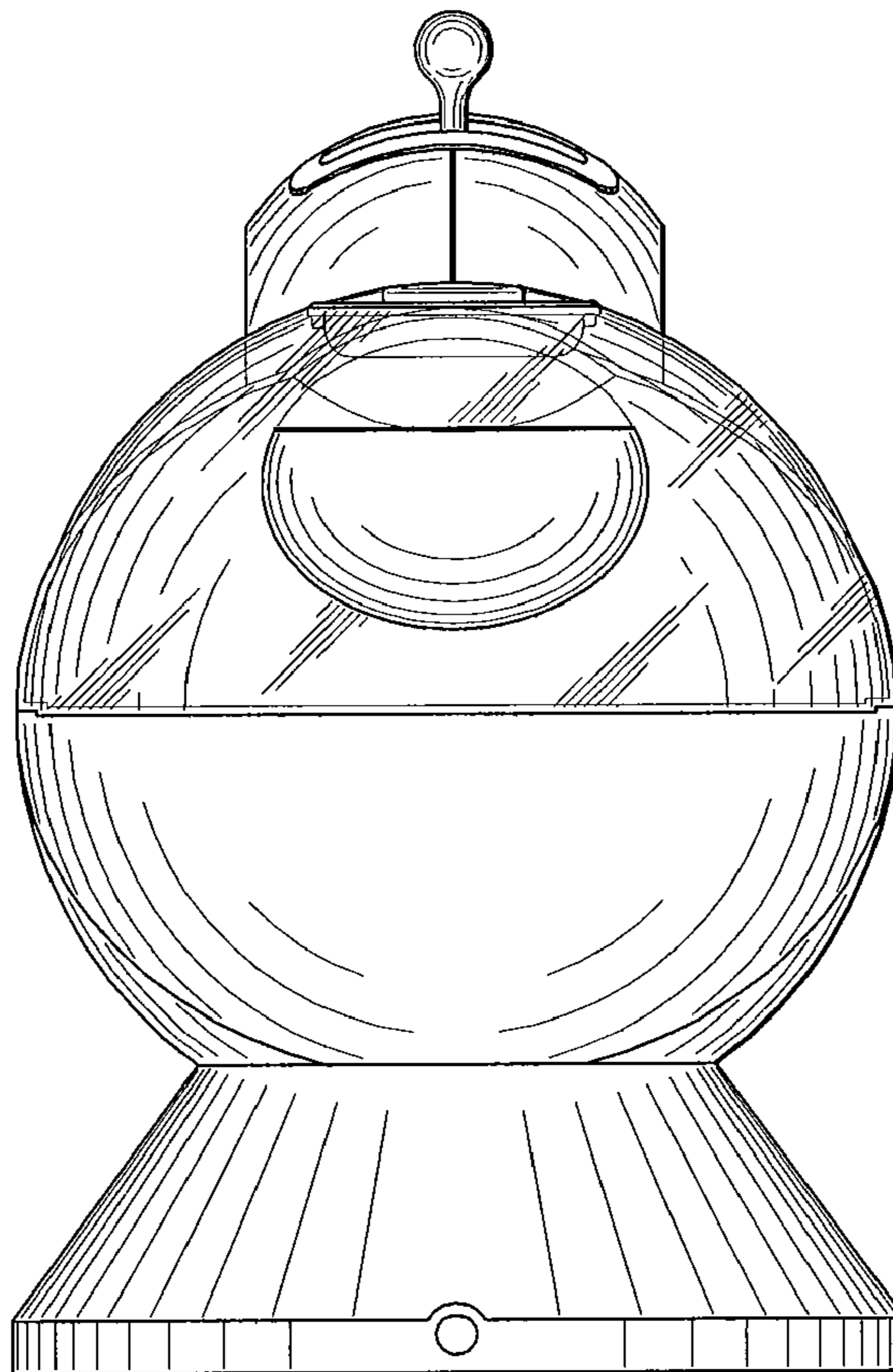


FIG. 4

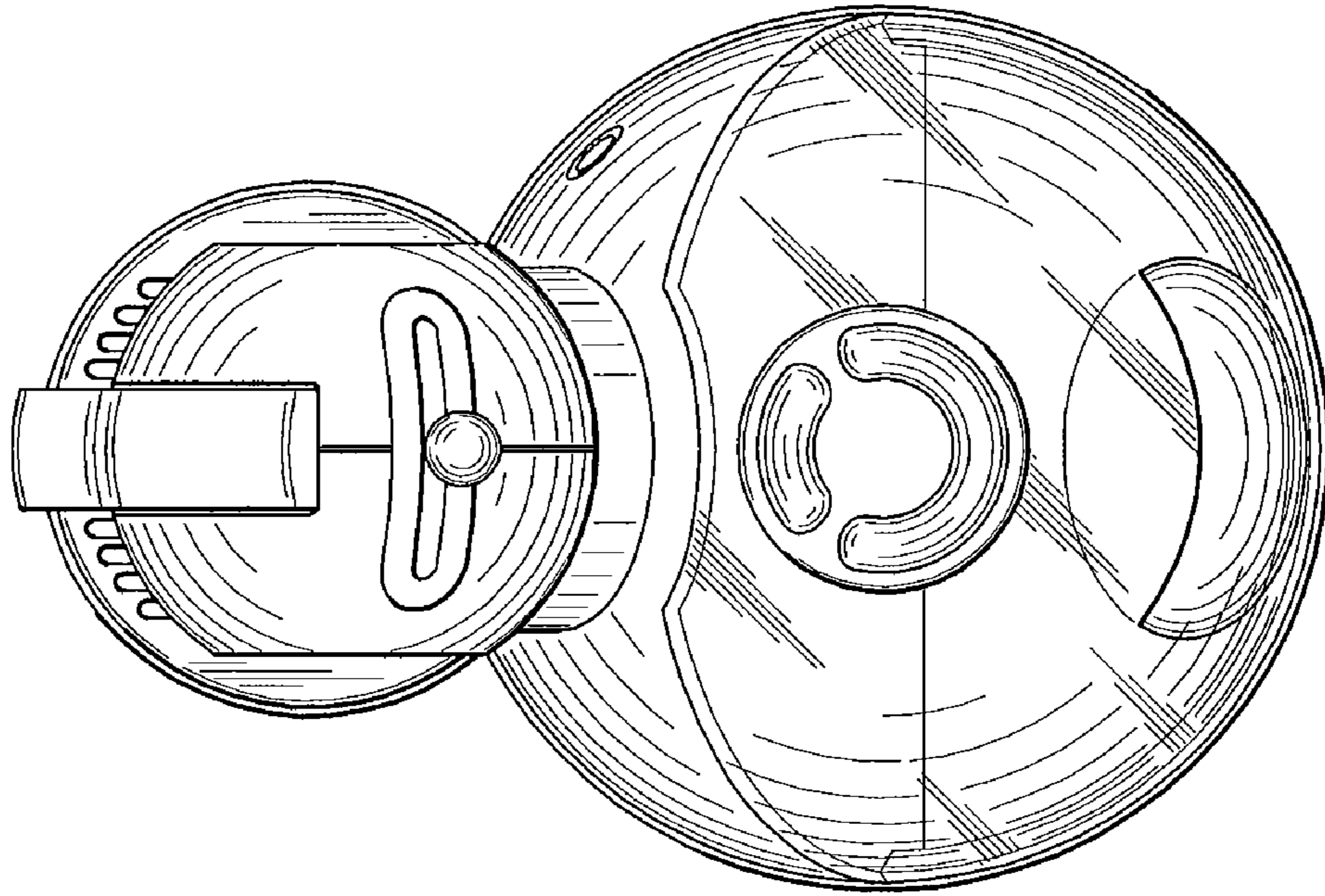


FIG. 5

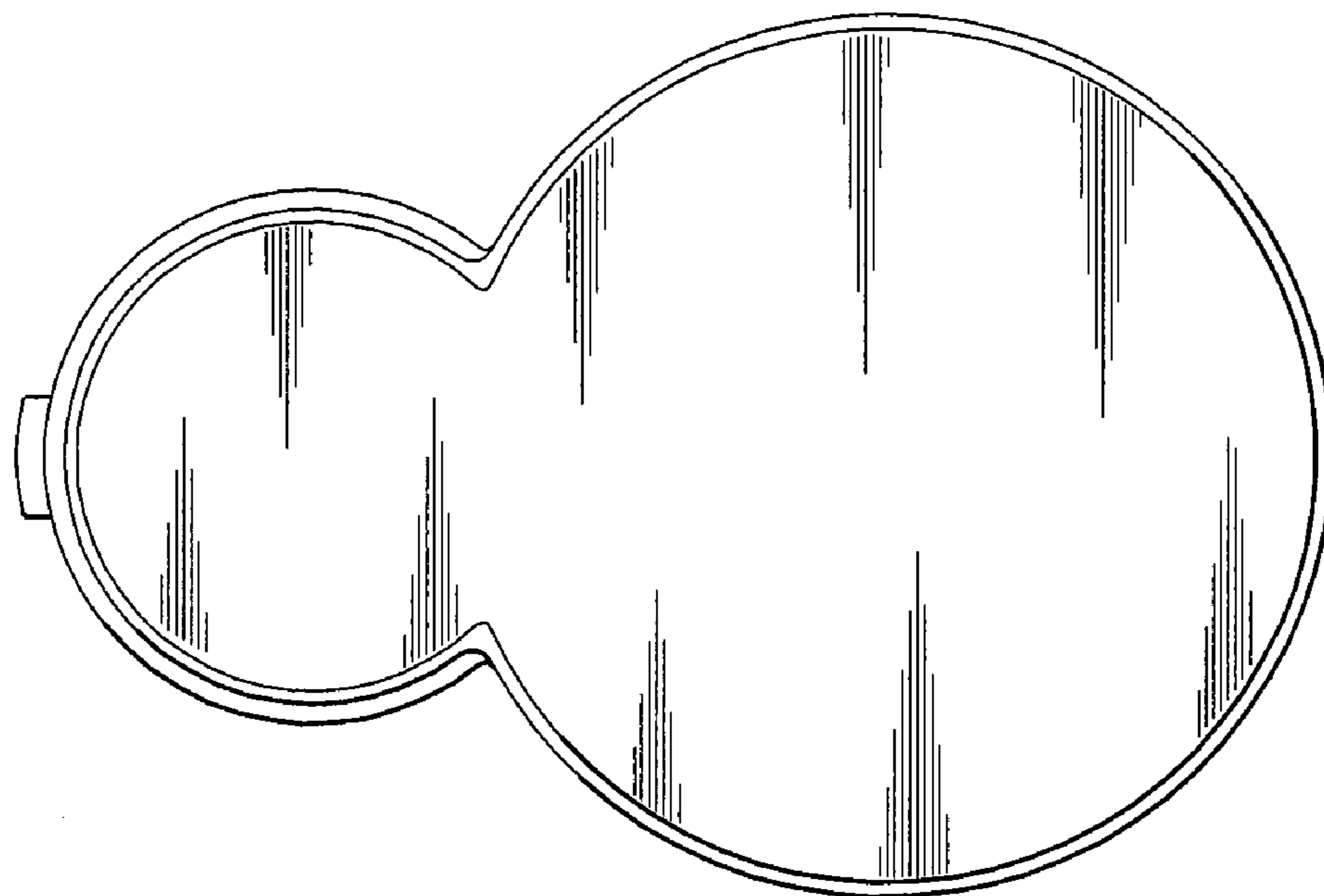


FIG. 6

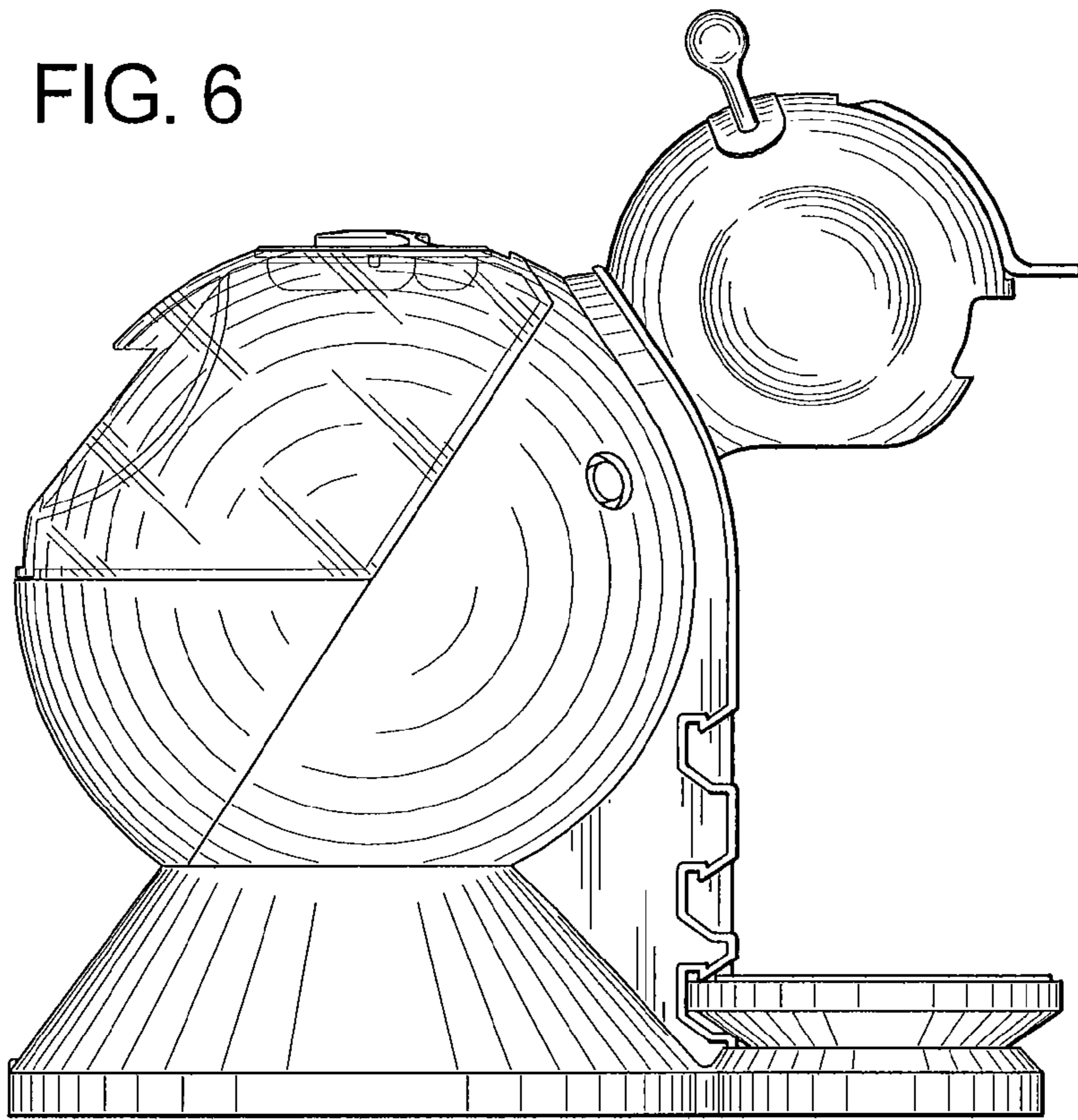


FIG. 7

