



US00D588853S

(12) **United States Design Patent**
Baldacci

(10) **Patent No.:** **US D588,853 S**
(45) **Date of Patent:** **** Mar. 24, 2009**

(54) **COFFEE MAKER**

D414,371 S * 9/1999 Seiffert D7/309

(75) Inventor: **Lapo Baldacci**, Florence (IT)

(73) Assignee: **Girmi S.p.A.**, Verbania (IT)

* cited by examiner

(**) Term: **14 Years**

Primary Examiner—Holly H Baynham

Assistant Examiner—Sheryl Lane

(21) Appl. No.: **29/292,146**

(74) *Attorney, Agent, or Firm*—Pollack, P.C.

(22) Filed: **Sep. 28, 2007**

(57) **CLAIM**

(30) **Foreign Application Priority Data**

I claim the ornamental design for a coffee maker, as shown and described.

Mar. 28, 2007 (EM) 000697859

(51) **LOC (9) Cl.** **07-01**

DESCRIPTION

(52) **U.S. Cl.** **D7/309**

(58) **Field of Classification Search** D7/300,
D7/305, 306, 307, 308, 309; 99/299, 284,
99/280, 283, 300; 222/129.1–129.4; 219/433
See application file for complete search history.

FIG. 1 is a front view of the coffee maker showing the new design;

FIG. 2 is a side view thereof;

FIG. 3 is a top view thereof; and,

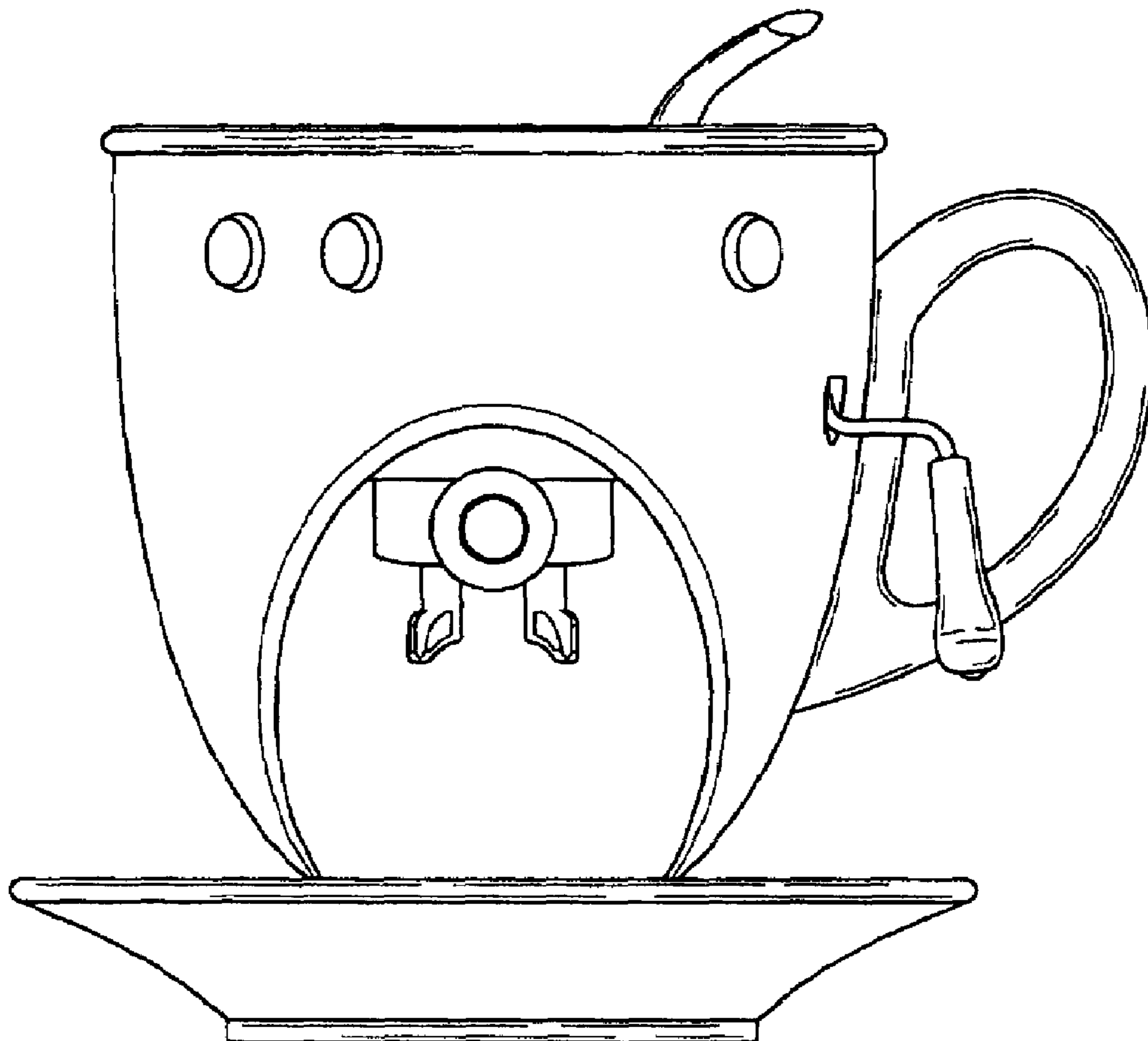
FIG. 4 is perspective view thereof.

(56) **References Cited**

U.S. PATENT DOCUMENTS

D395,976 S * 7/1998 Seiffert et al. D7/309

1 Claim, 2 Drawing Sheets



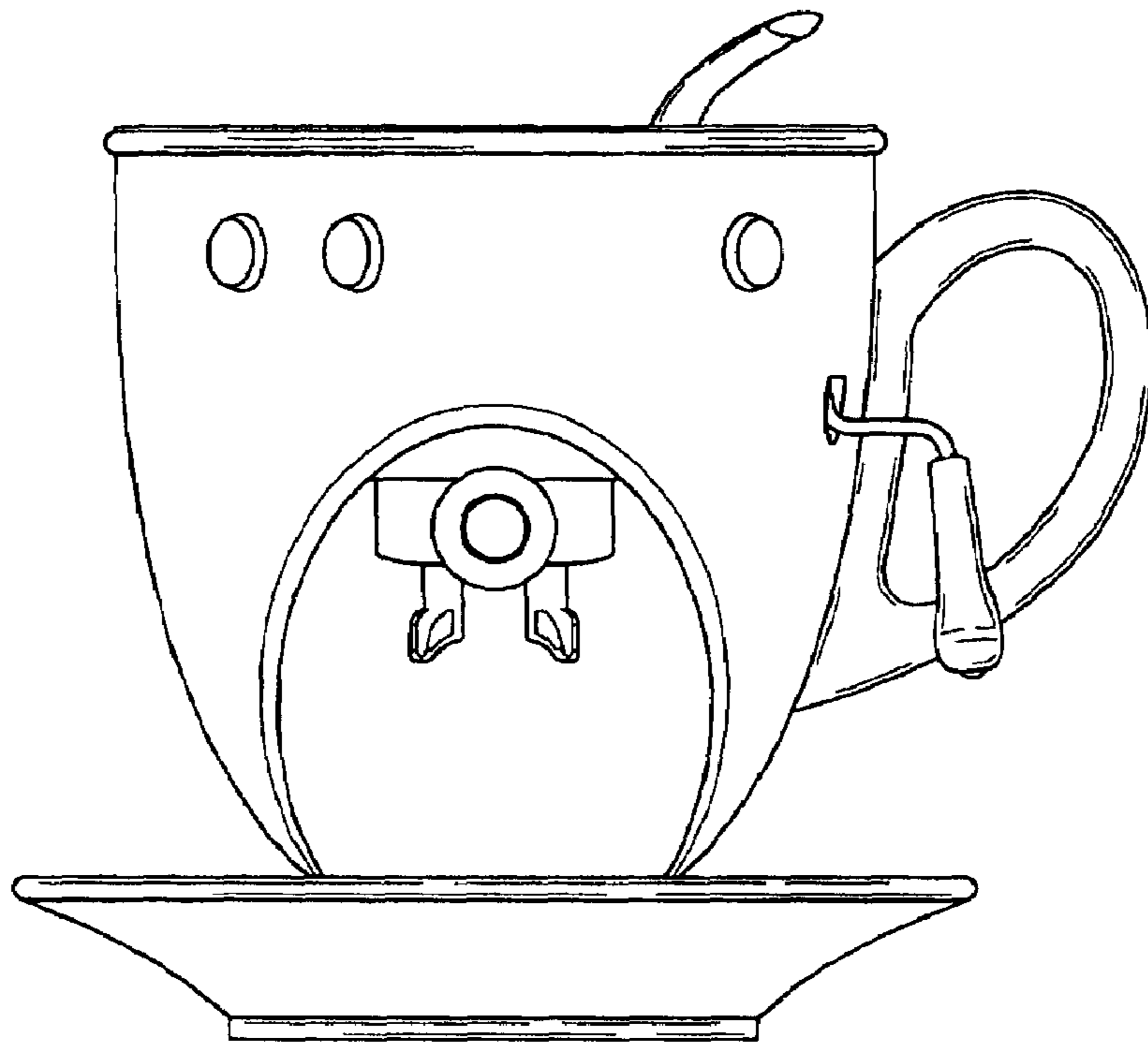


FIG. 1

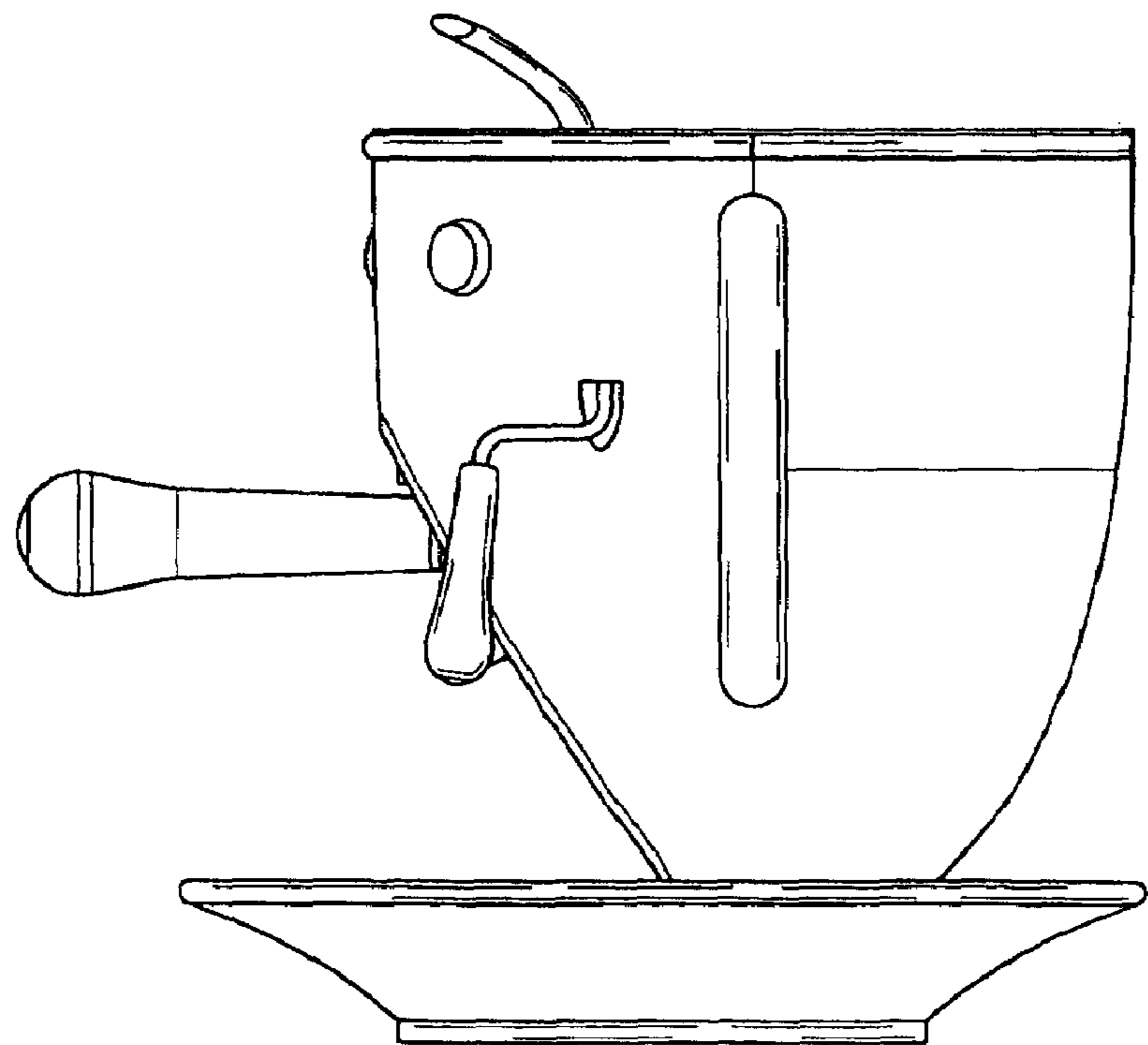


FIG. 2

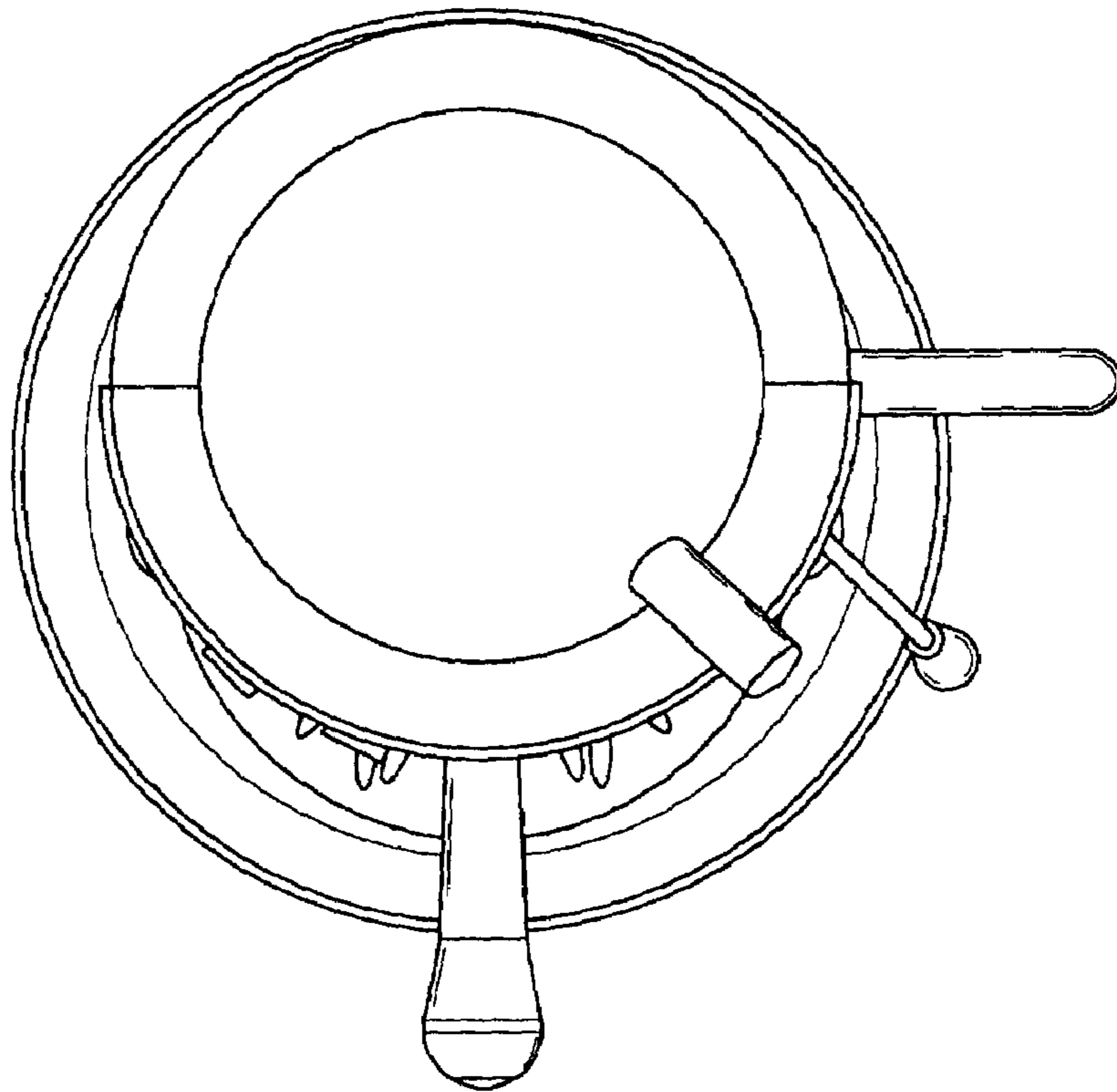


FIG. 3

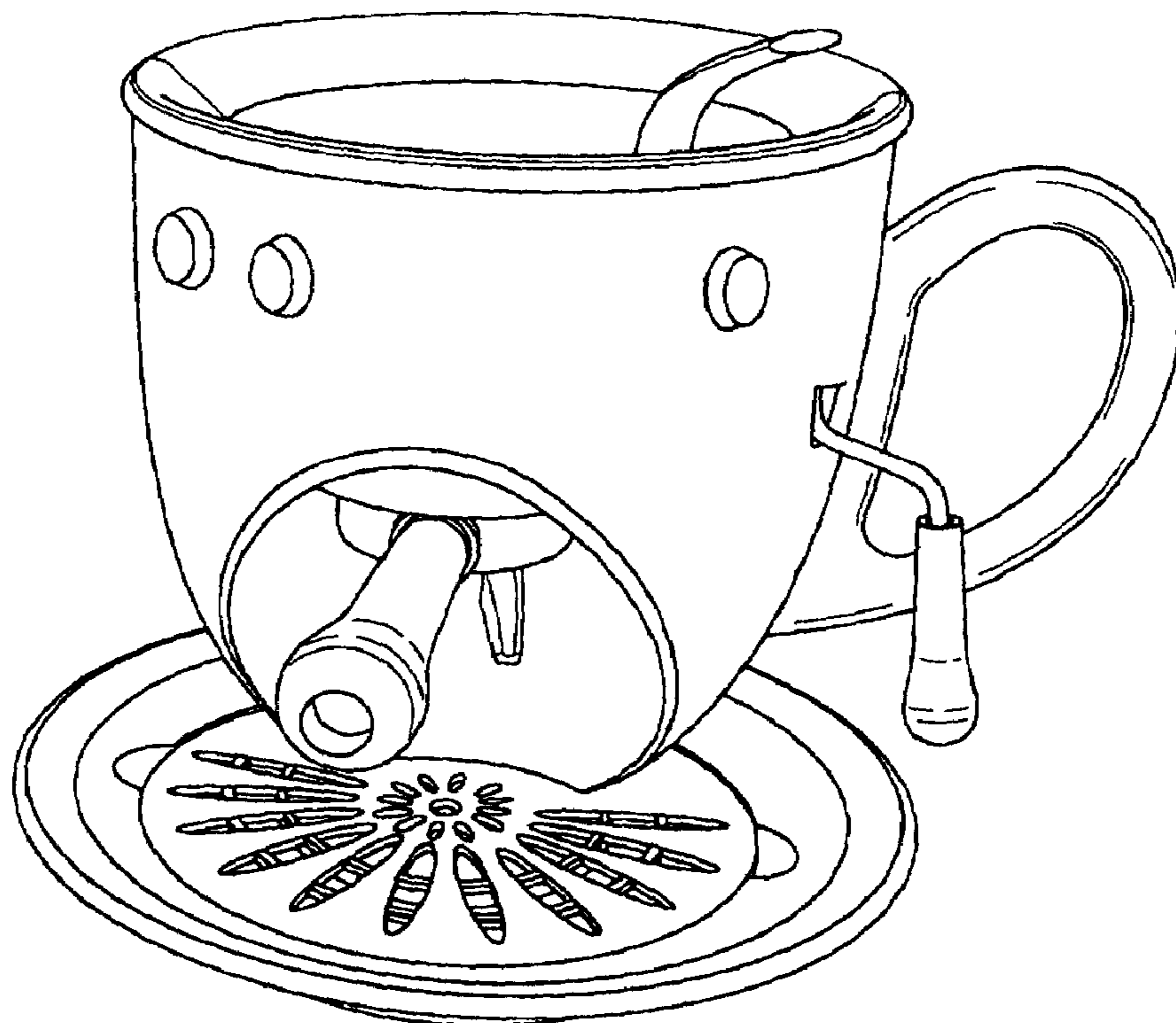


FIG. 4