



US00D588852S

(12) **United States Design Patent**
Stein

(10) **Patent No.:** **US D588,852 S**

(45) **Date of Patent:** **** Mar. 24, 2009**

(54) **CAN THEMED BEVERAGE DISPENSER**

(75) Inventor: **David J. Stein**, Columbus, OH (US)

(73) Assignee: **Beertubes.com LLC**, Columbus, OH (US)

(**) Term: **14 Years**

(21) Appl. No.: **29/318,108**

(22) Filed: **May 13, 2008**

(51) **LOC (9) Cl.** **07-01**

(52) **U.S. Cl.** **D7/301; D7/306; D7/313**

(58) **Field of Classification Search** D7/301,
D7/514, 515, 306, 313, 901, 312, 300; D9/600,
D9/676, 772; 222/185.1, 146.6; 220/269,
220/270, 258.2

See application file for complete search history.

(56) **References Cited**

U.S. PATENT DOCUMENTS

D75,740	S	*	7/1928	Smith	D7/313
D103,078	S	*	2/1937	Smith	D7/313
D311,867	S	*	11/1990	Kingsbury	D9/600
D412,262	S	*	7/1999	Roundtree	D7/307
D432,015	S	*	10/2000	Holiday	D9/772
6,457,597	B2	*	10/2002	Hirota et al.	220/258.2
D495,914	S	*	9/2004	Drolette et al.	D7/306
D499,598	S	*	12/2004	Guadalupi	D7/306
D502,837	S	*	3/2005	Waugh	D7/306

6,981,608	B2	*	1/2006	Battmer	220/269
D526,308	S	*	8/2006	Kasden	D14/207
D533,388	S	*	12/2006	Cahen	D7/306
D546,110	S	*	7/2007	Stein	D7/301
D560,413	S	*	1/2008	Stein	D7/301

* cited by examiner

Primary Examiner—Marianne Pandozzi

(74) *Attorney, Agent, or Firm*—Michael J. Gallagher; David J. Dawsey; Gallagher & Dawsey Co LPA

(57) **CLAIM**

I claim the ornamental design for a can themed beverage dispenser, as shown and described.

DESCRIPTION

FIG. 1 is a perspective view of a can themed beverage dispenser showing my new design;

FIG. 2 is a front elevation view thereof;

FIG. 3 is a rear elevation view thereof;

FIG. 4 is a right side elevation view thereof;

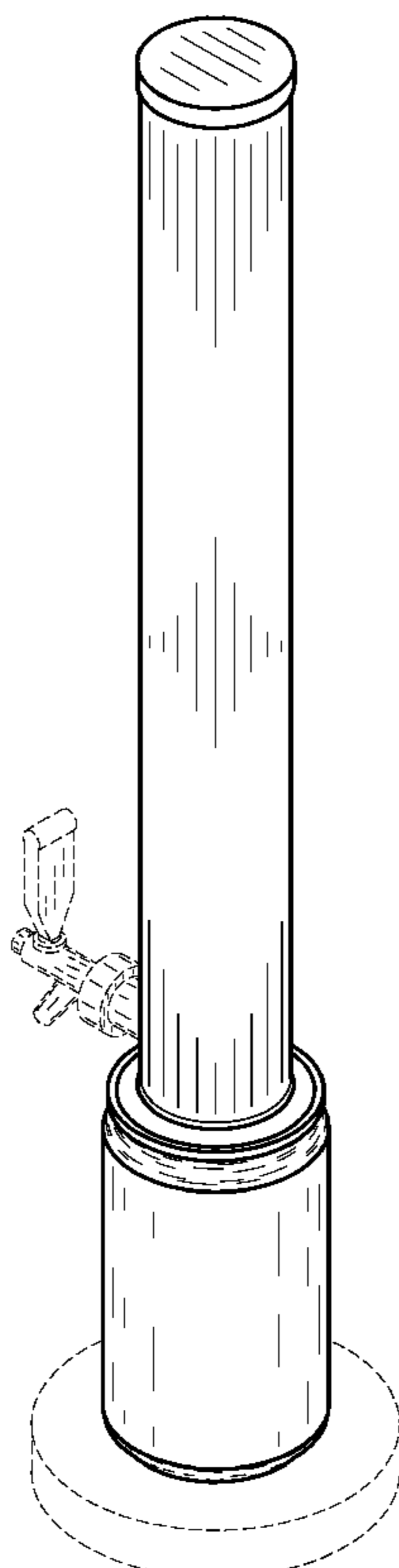
FIG. 5 is a left side elevation view thereof;

FIG. 6 is a top plan view thereof; and,

FIG. 7 is a bottom plan view thereof.

The broken lines are for illustrative purposes only and form no part of the claimed design.

1 Claim, 4 Drawing Sheets



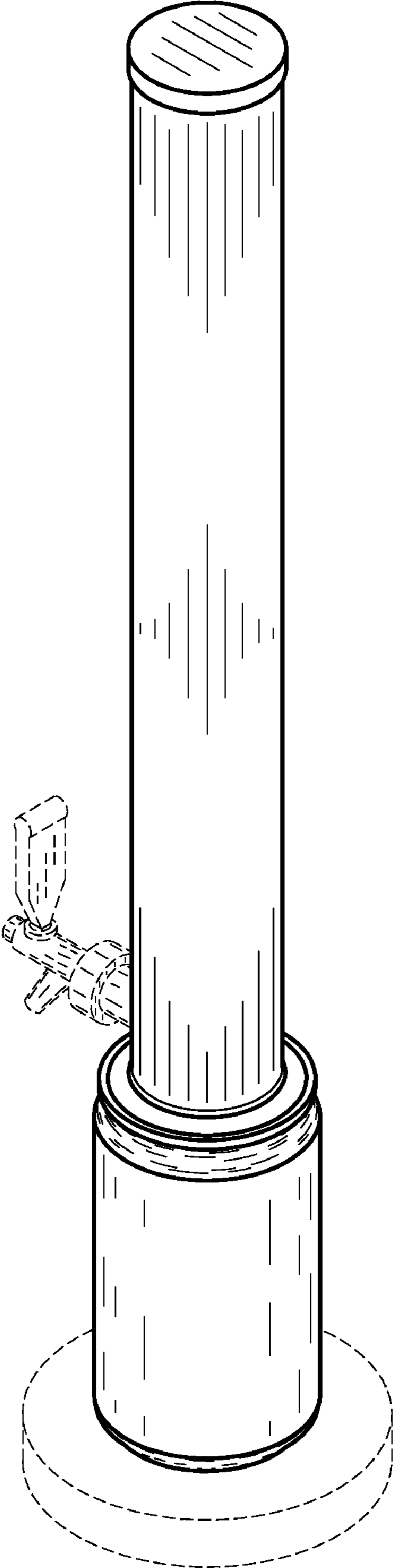


Fig. 1

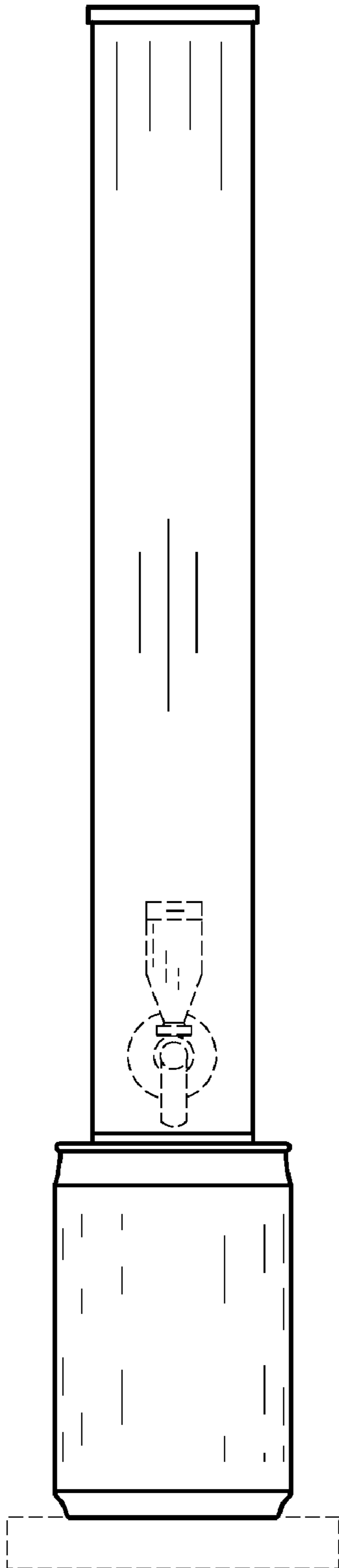


Fig. 2

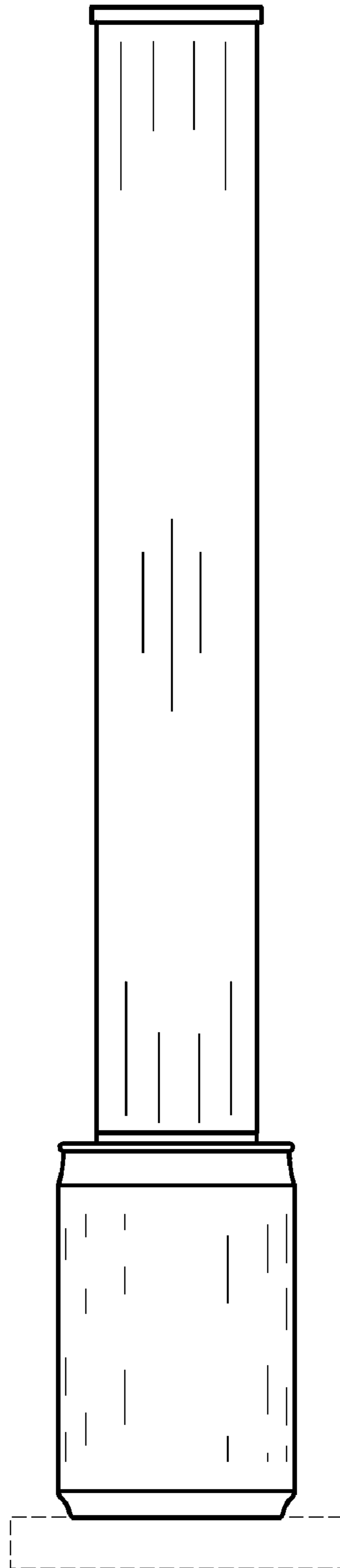


Fig. 3

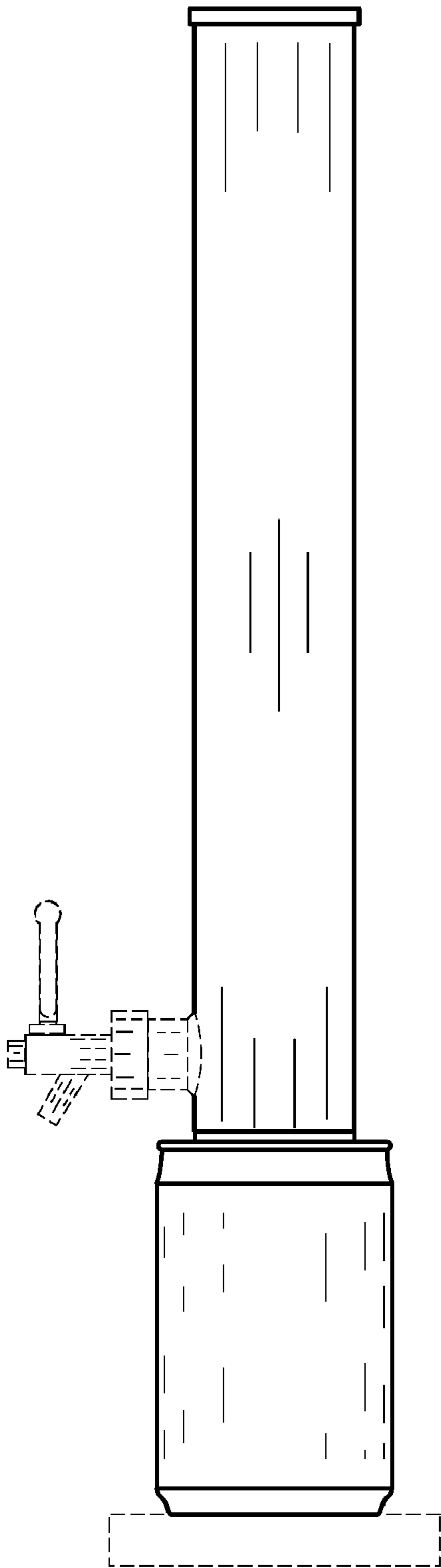


Fig. 4

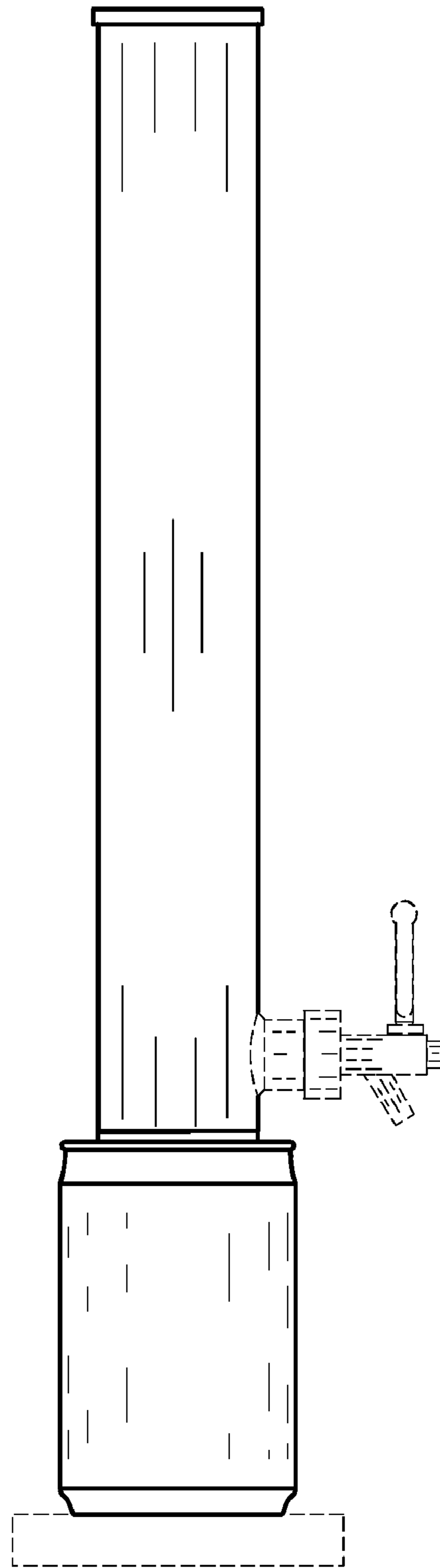


Fig. 5

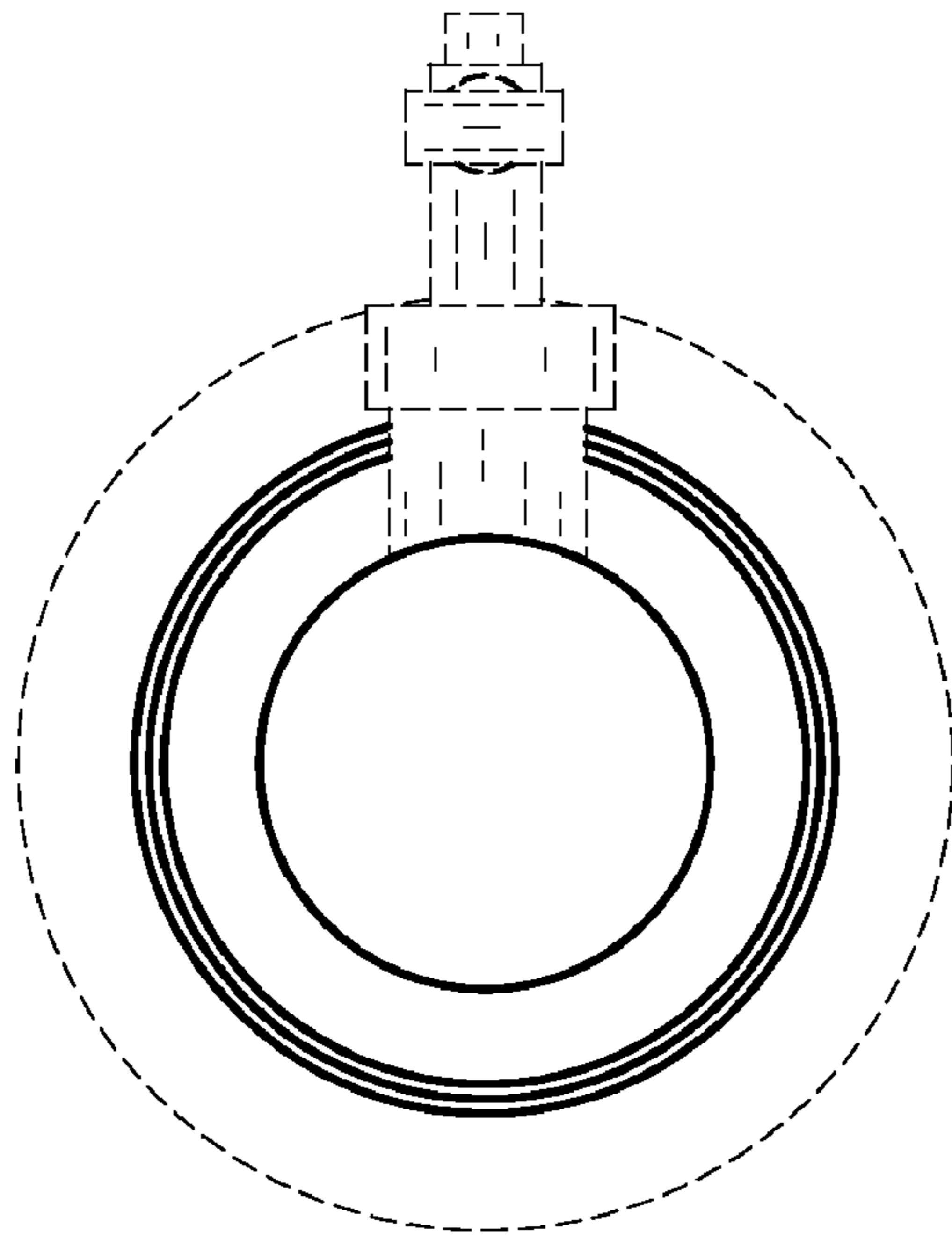


Fig. 6

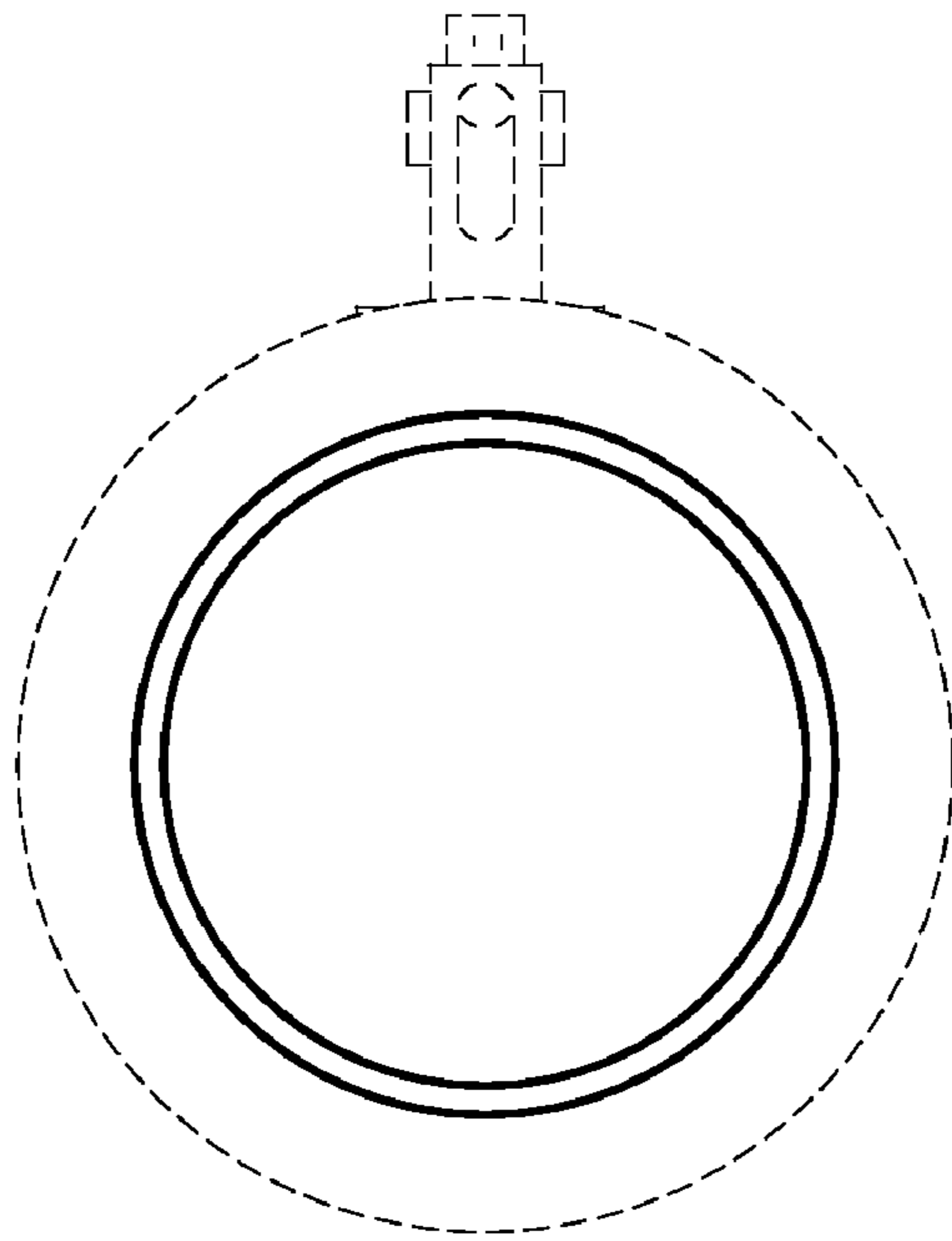


Fig. 7