



US00D588851S

(12) **United States Design Patent**
Morales

(10) **Patent No.:** **US D588,851 S**
(45) **Date of Patent:** **** Mar. 24, 2009**

(54) **FOLDABLE SURFBOARD STAND**

(76) Inventor: **Daniel Morales**, 19131 La Pradera,
Yorba Linda, CA (US) 92886

(**) Term: **14 Years**

(21) Appl. No.: **29/317,594**

(22) Filed: **May 2, 2008**

(51) **LOC (9) Cl.** **08-08**

(52) **U.S. Cl.** **D6/552**

(58) **Field of Classification Search** D6/552,
D6/465-468; 211/13.1, 85.7, 59.1, 87.01;
D21/221, 223, 686

See application file for complete search history.

(56) **References Cited**

U.S. PATENT DOCUMENTS

4,878,585	A *	11/1989	Orestano	211/87.01
D349,545	S *	8/1994	Cehovin et al.	D6/552
5,477,968	A *	12/1995	Largent et al.	211/60.1
5,833,079	A *	11/1998	Roberts	211/85.7
D536,562	S *	2/2007	Widerman et al.	D6/552
D560,089	S *	1/2008	DeMeyer	D6/552

* cited by examiner

Primary Examiner—Brian N Vinson

(74) *Attorney, Agent, or Firm*—Michael A. Shippey; Law
Offices of Karla Shippey

(57) **CLAIM**

The ornamental design for a foldable surfboard stand, as
shown and described.

DESCRIPTION

FIG. 1 is a perspective elevated front view of a surfboard stand
having the new design, in fully deployed position, supporting
a surfboard. The surfboard itself is depicted in dashed lines,
and is not a part of the design of the current invention.

FIG. 2 is a rear perspective view of the surfboard stand shown
in FIG. 1.

FIG. 3 is a view from above of the surfboard stand shown in
FIG. 1.

FIG. 4 is a front view of the surfboard stand shown in FIG. 1.

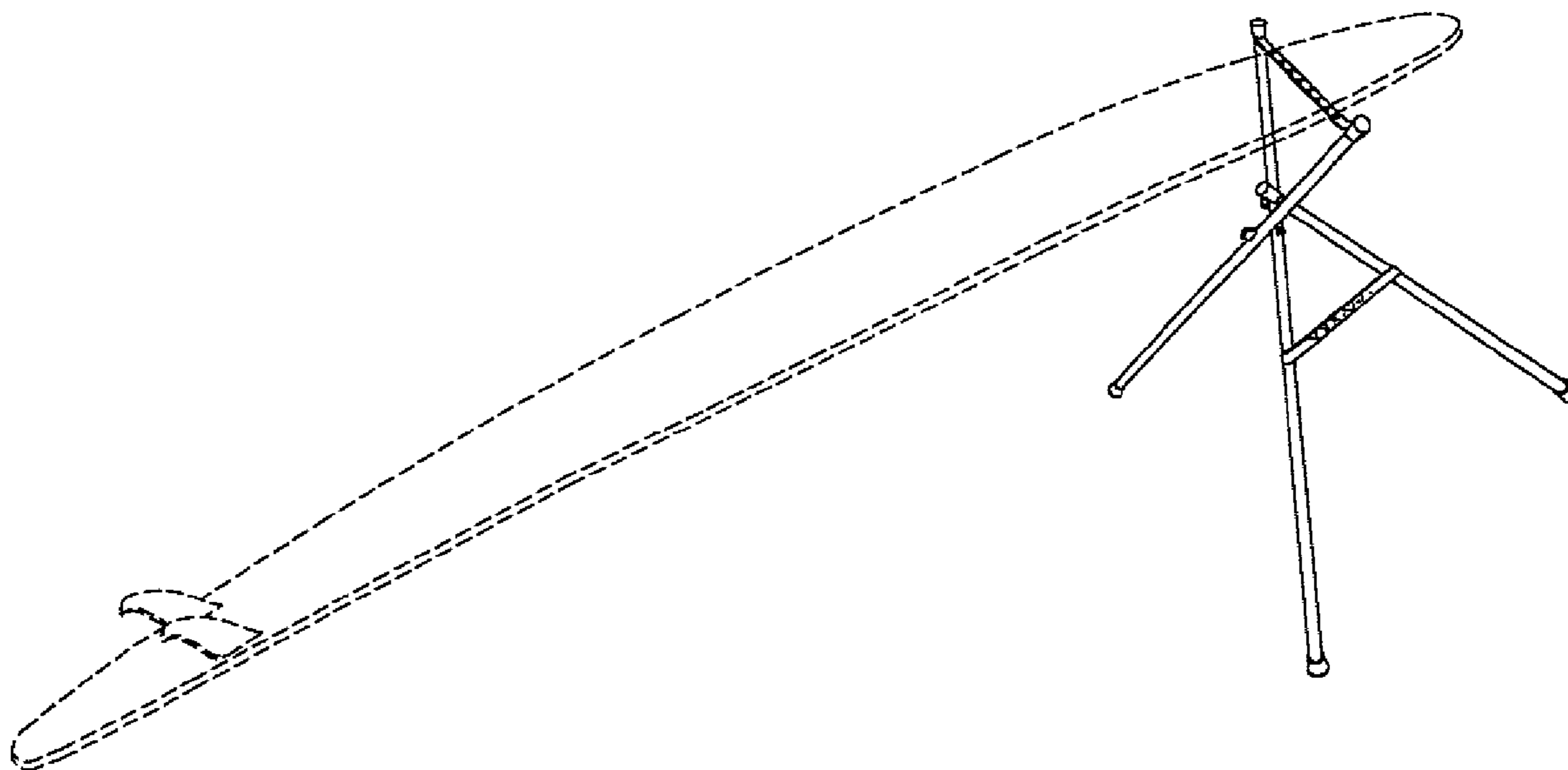
FIG. 5 is a rear view of the surfboard stand shown in FIG. 1.

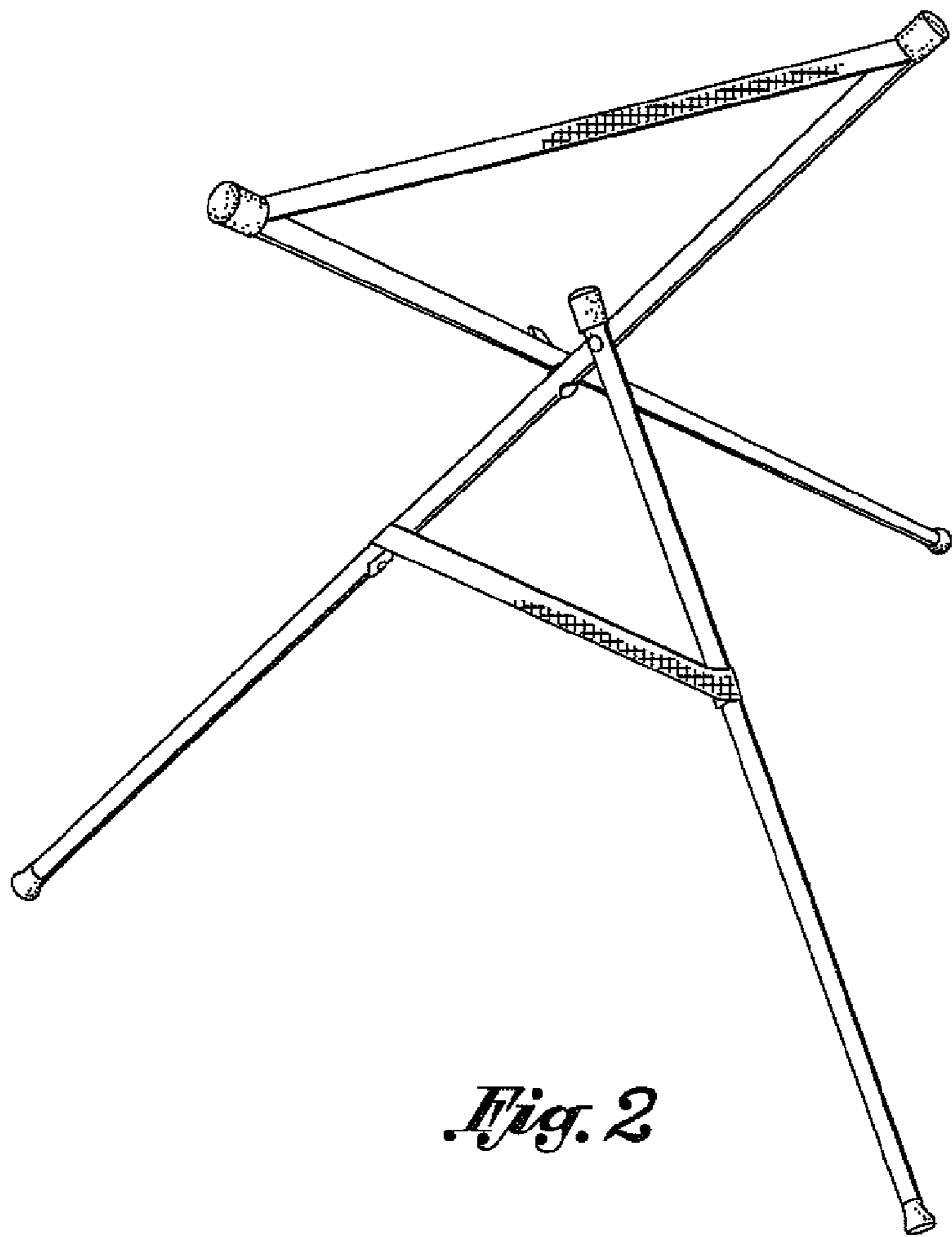
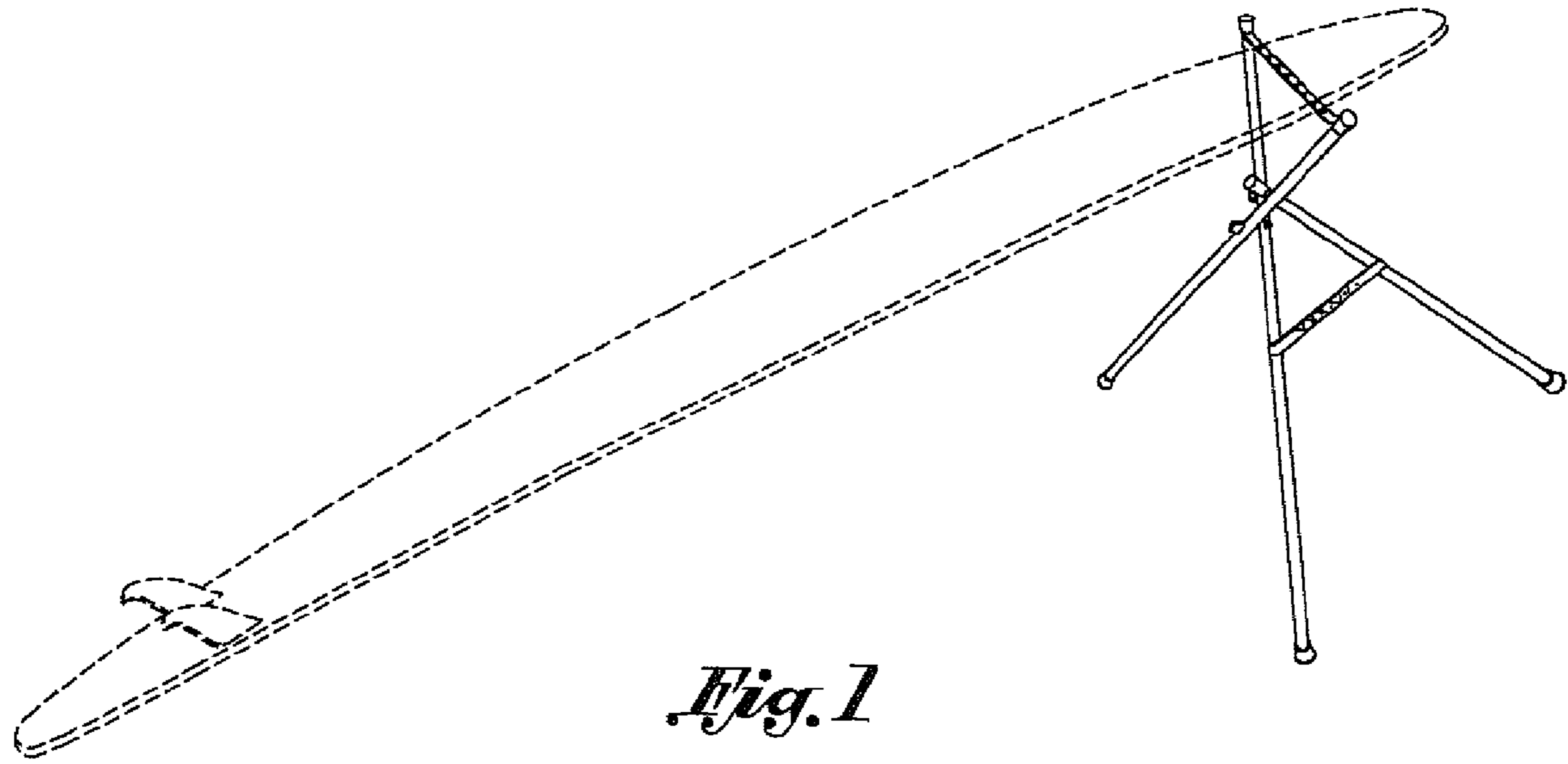
FIG. 6 is a view from below of the surfboard stand shown in
FIG. 1.

FIG. 7 is a left side view of the surfboard stand of FIG. 1; and,

FIG. 8 is a right side view of the surfboard stand of FIG. 1.

1 Claim, 4 Drawing Sheets





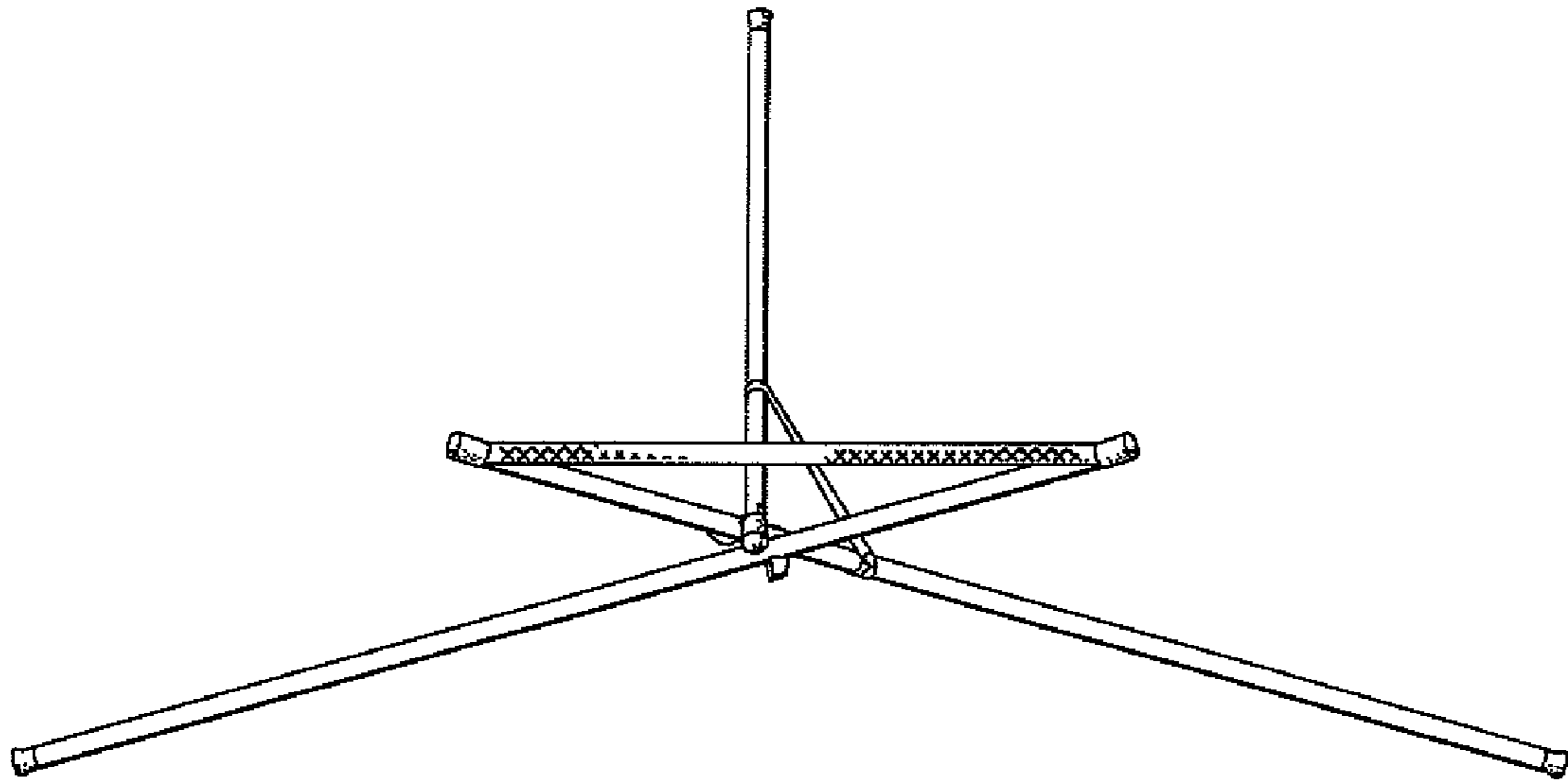


Fig. 3

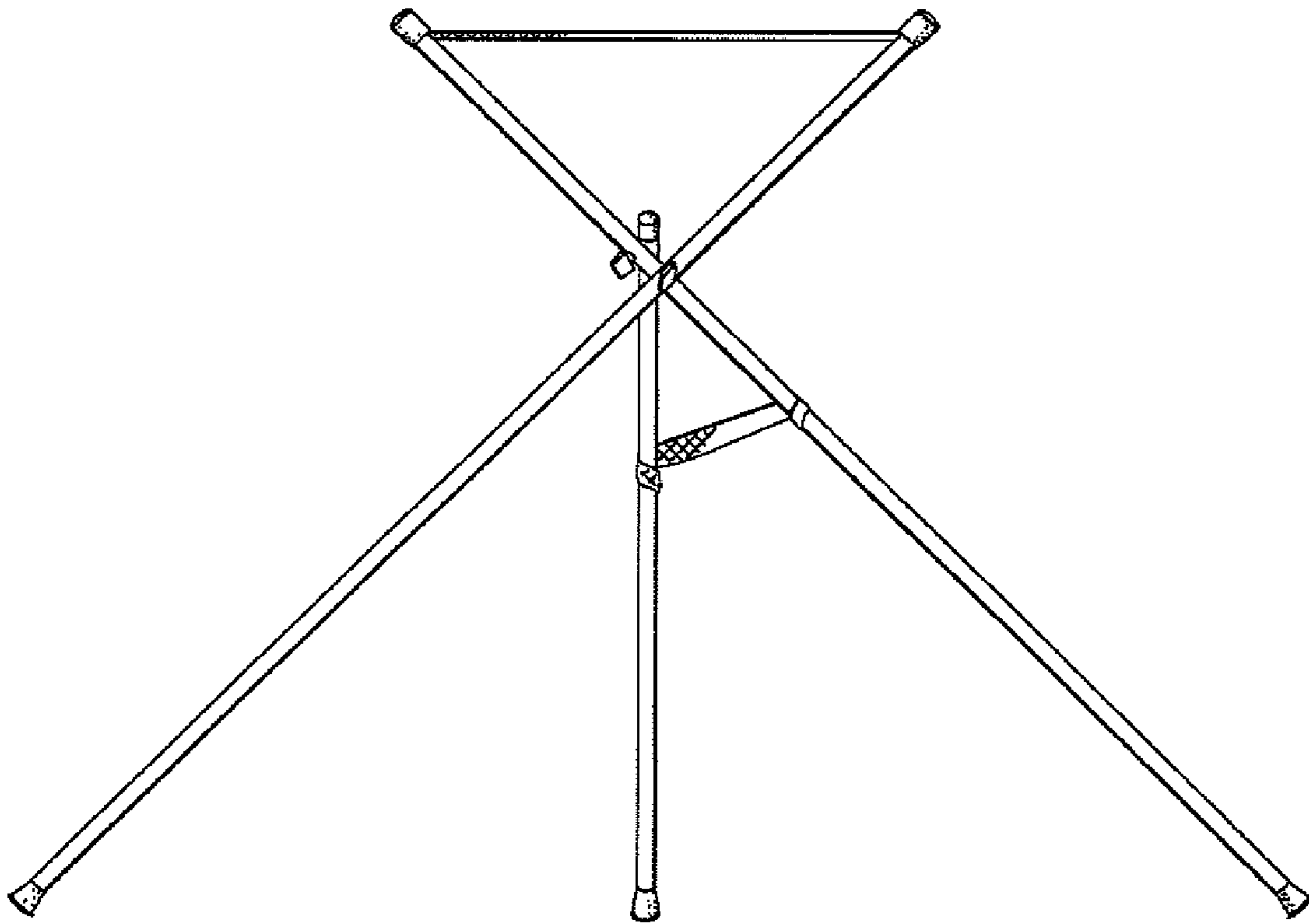


Fig. 4

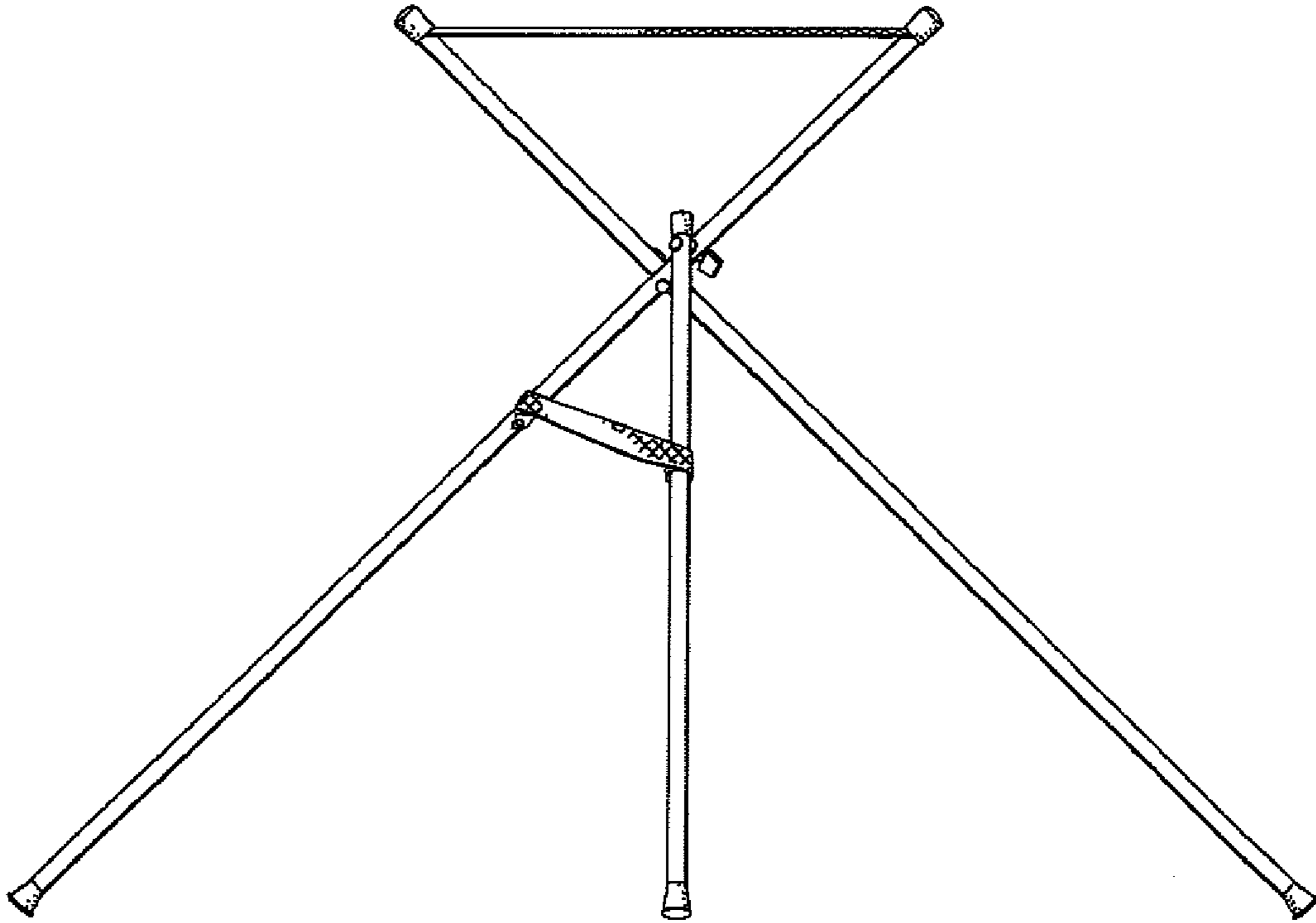


Fig. 5

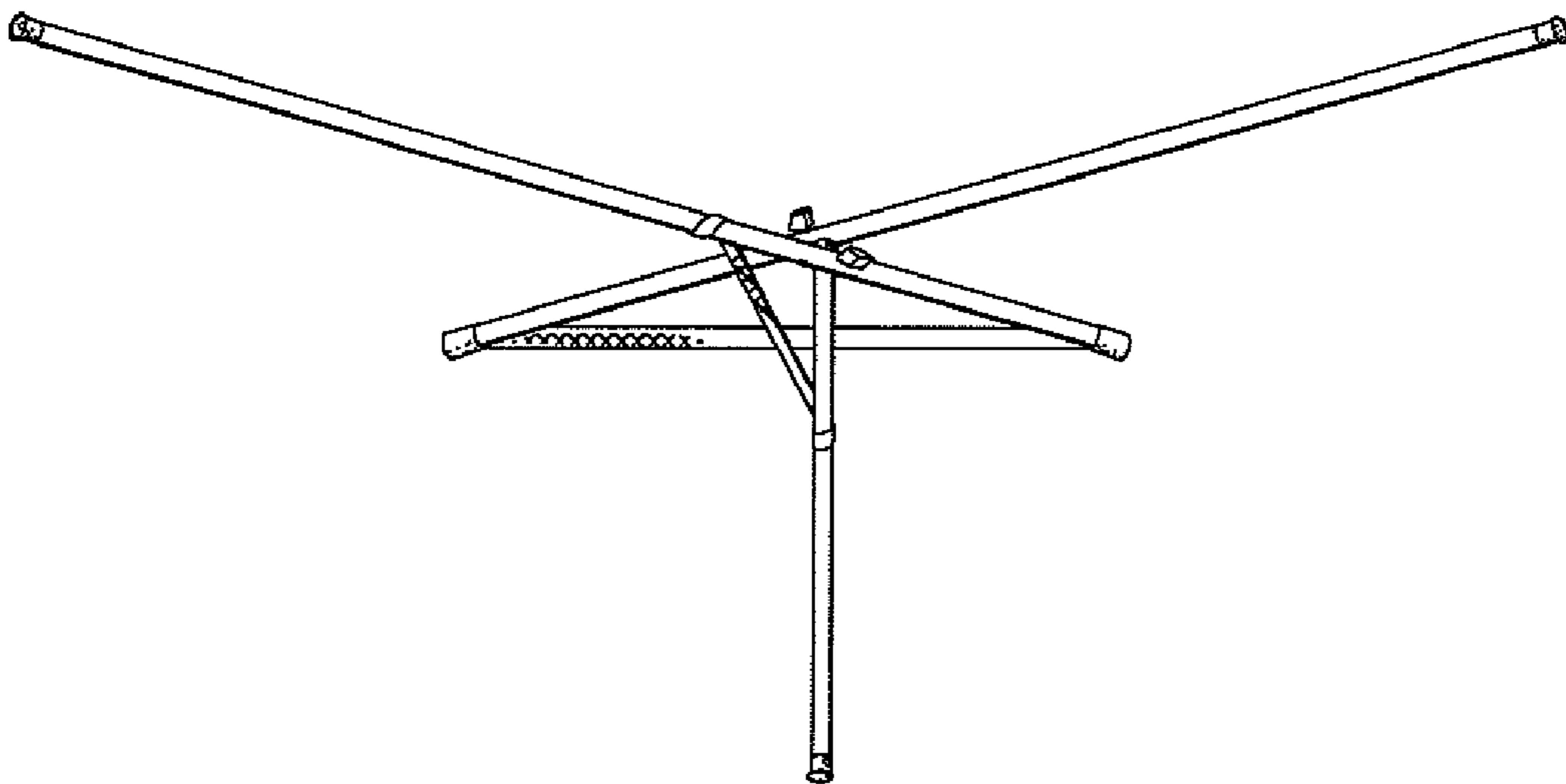


Fig. 6

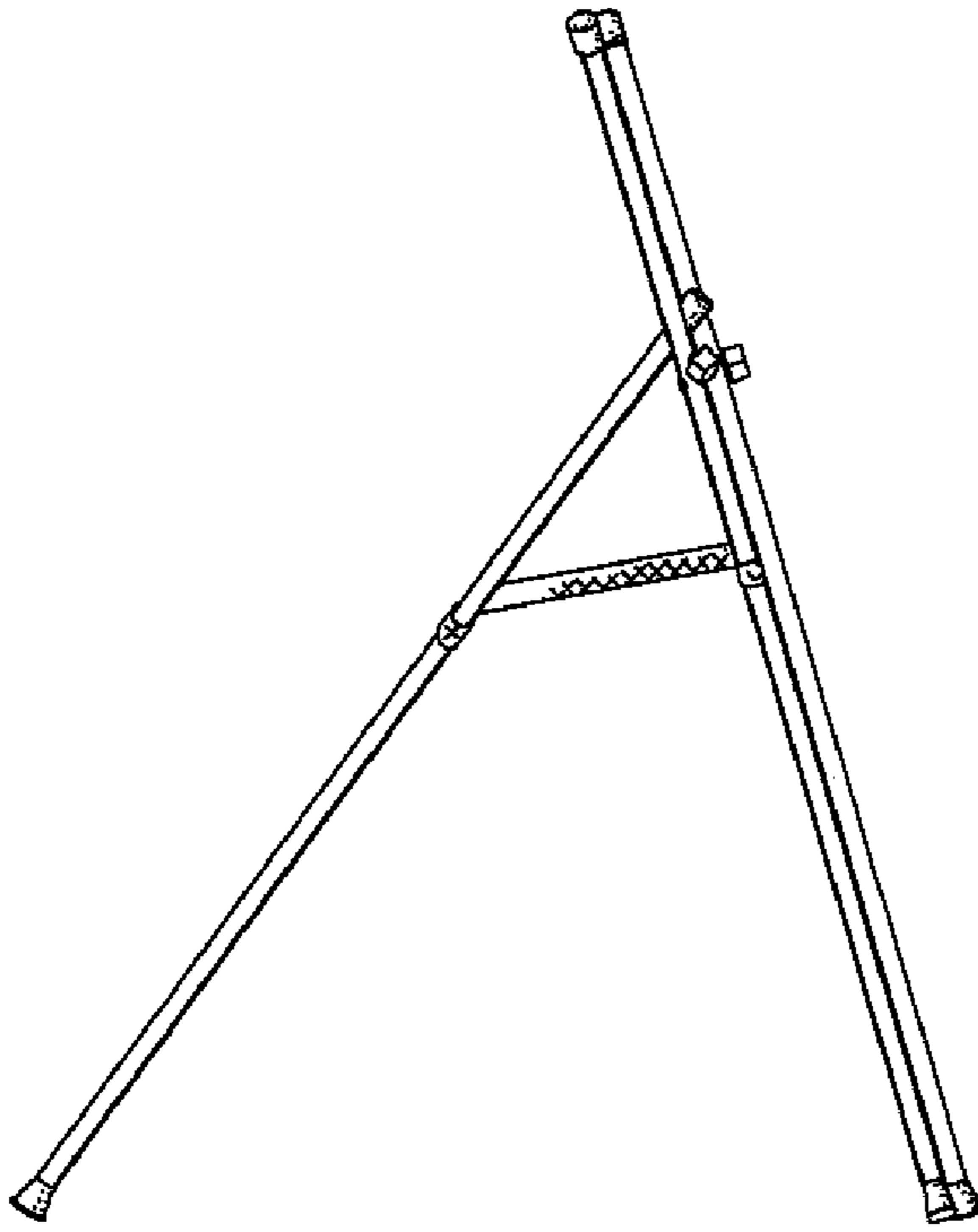


Fig. 7

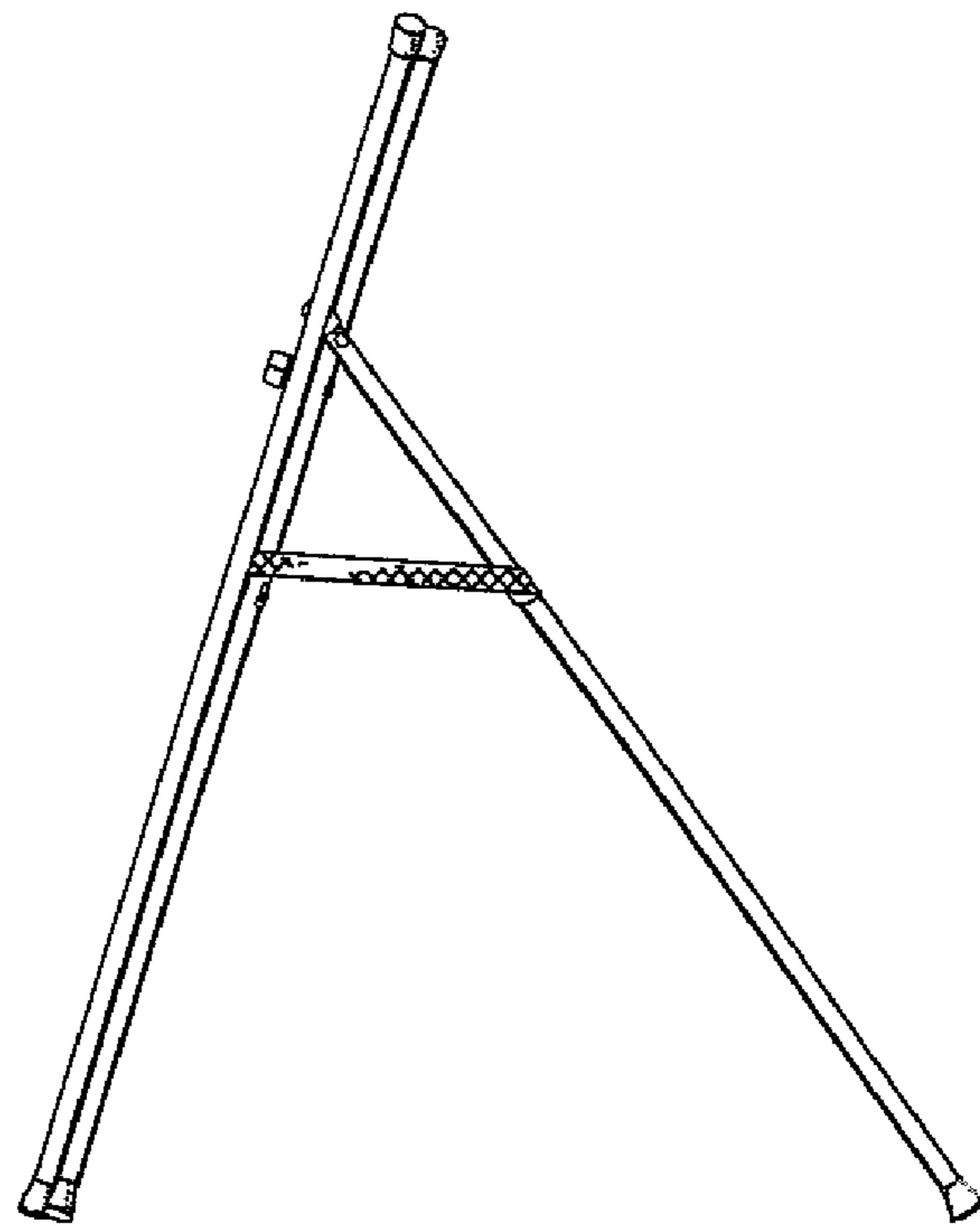


Fig. 8