



US00D588850S

(12) **United States Design Patent**  
**Goldberg**

(10) **Patent No.:** **US D588,850 S**

(45) **Date of Patent:** **\*\* Mar. 24, 2009**

(54) **SHOP DESK WITH HUTCH**

(75) Inventor: **Mark A. Goldberg**, Lido Beach, NY  
(US)

(73) Assignee: **Global Equipment Company Inc.** DE  
(US)

(\*\*) Term: **14 Years**

(21) Appl. No.: **29/325,815**

(22) Filed: **Oct. 7, 2008**

**Related U.S. Application Data**

(63) Continuation of application No. 11/360,228, filed on Feb. 23, 2006.

(51) **LOC (9) Cl.** ..... **06-06**

(52) **U.S. Cl.** ..... **D6/511; D6/426**

(58) **Field of Classification Search** ..... D6/511,  
D6/420-422, 426; 312/194-196; 108/50.01,  
108/50.02, 60

See application file for complete search history.

(56) **References Cited**

**U.S. PATENT DOCUMENTS**

688,104 A	12/1901	Lohrman	
D128,791 S *	8/1941	Ullery	D6/426
D157,076 S	1/1950	Nemes	
2,903,316 A	9/1959	Schmidt	
D188,200 S *	6/1960	Swarts et al.	D6/511
D239,350 S *	3/1976	Vogt	D6/426
4,418,967 A *	12/1983	Winkelman et al.	312/107

D294,440 S *	3/1988	Werner	D6/422
4,870,630 A	9/1989	Blake	
4,905,609 A	3/1990	Haskins	
D335,591 S *	5/1993	Lechman	D6/426
6,840,180 B2	1/2005	Ulmer	

**FOREIGN PATENT DOCUMENTS**

JP 404005910 1/1992

**OTHER PUBLICATIONS**

Jacobs Gardner, 1999, p. 44, workstation hutch, right and 2<sup>nd</sup> from bottom.\*

\* cited by examiner

*Primary Examiner*—Janice E Seeger

(74) *Attorney, Agent, or Firm*—Davidoff Malito & Hutcher LLP

(57) **CLAIM**

The ornamental design for a shop desk with hutch, as shown and described.

**DESCRIPTION**

FIG. 1 is a perspective view of a shop desk with hutch in accordance with the present invention;

FIG. 2 is a top view thereof;

FIG. 3 is a front view thereof;

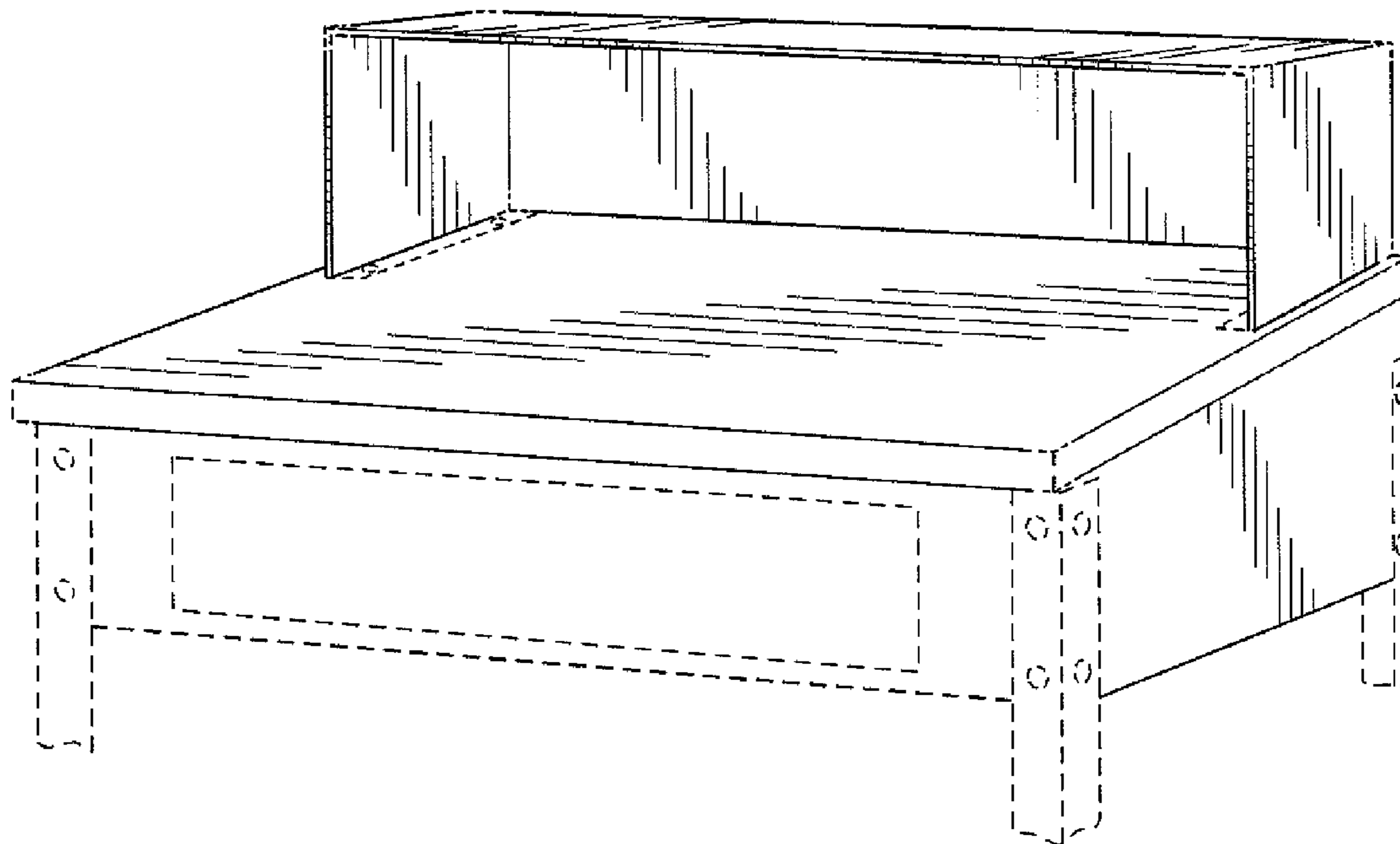
FIG. 4 is a rear view thereof;

FIG. 5 is a right side view thereof; and,

FIG. 6 is a left side view thereof.

The broken lines form no part of the claimed design.

**1 Claim, 4 Drawing Sheets**



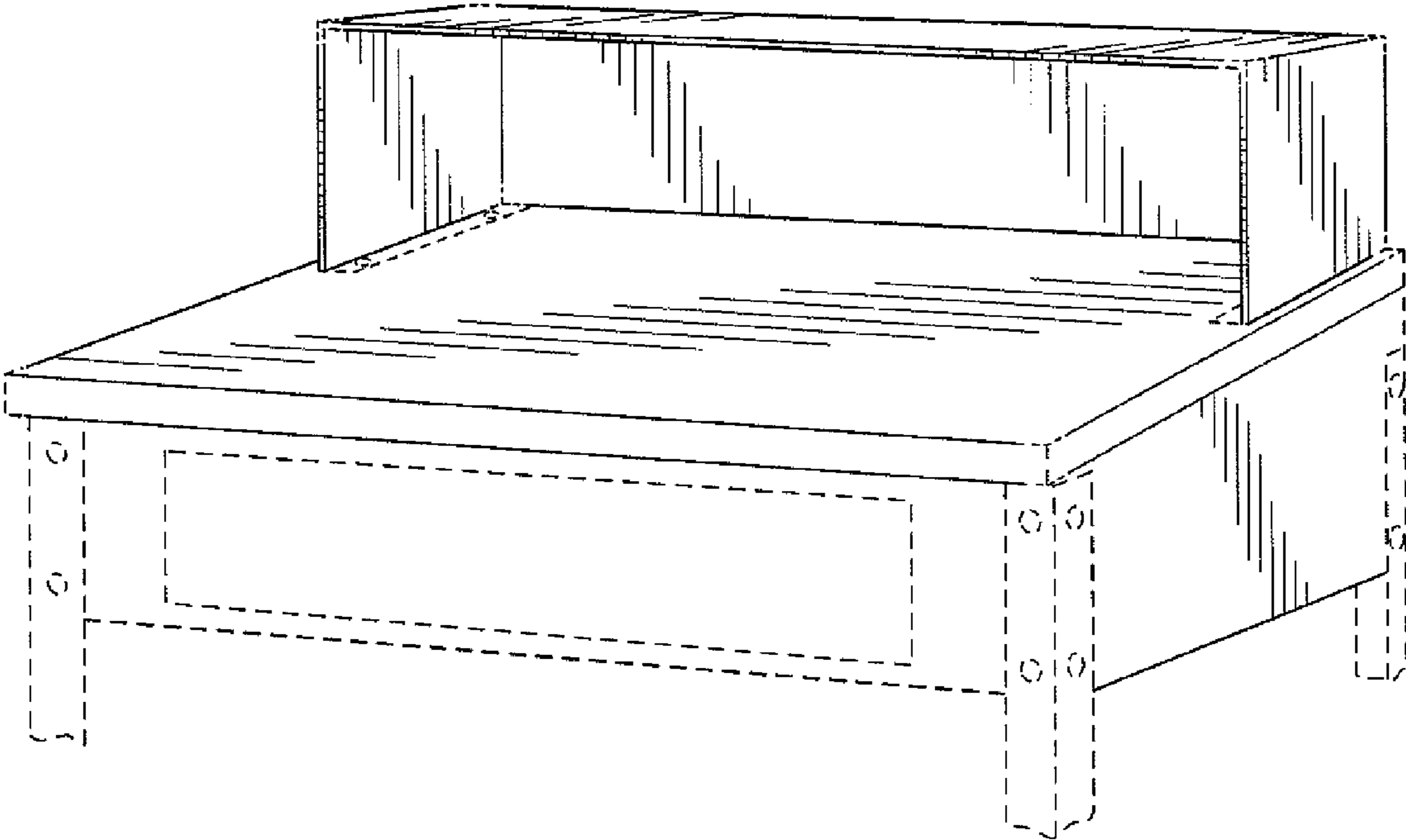


FIG. 1

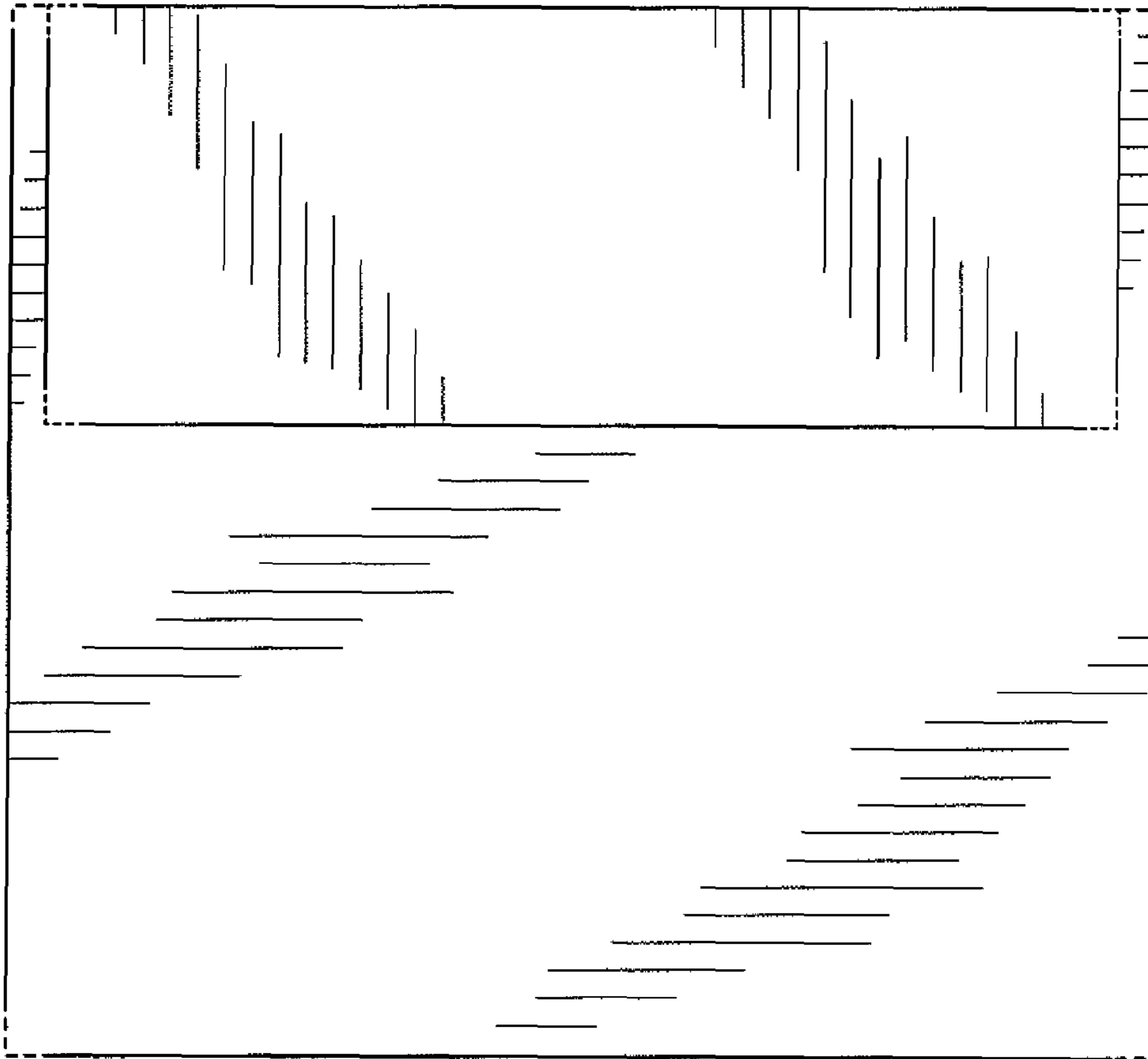


FIG. 2

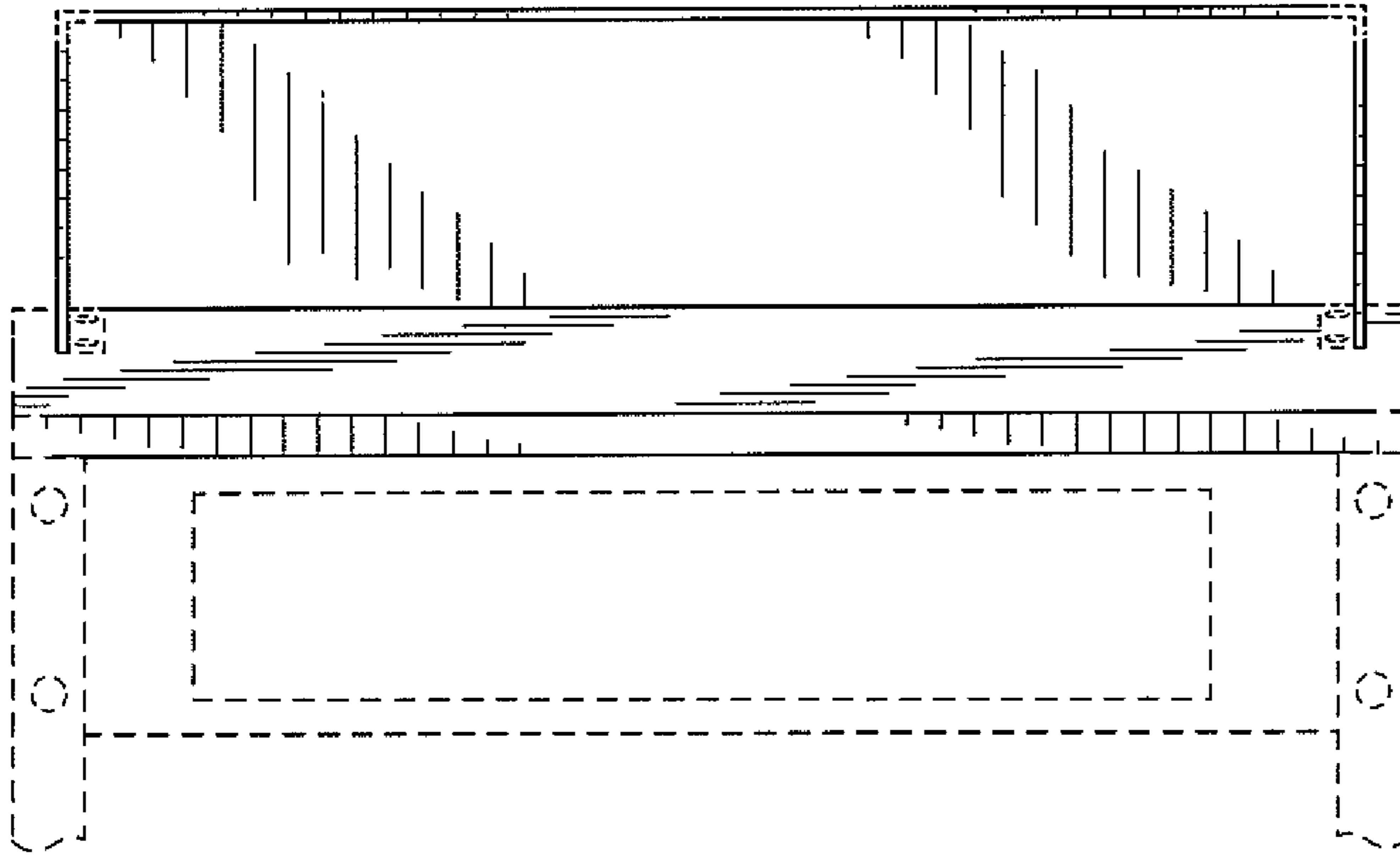


FIG. 3

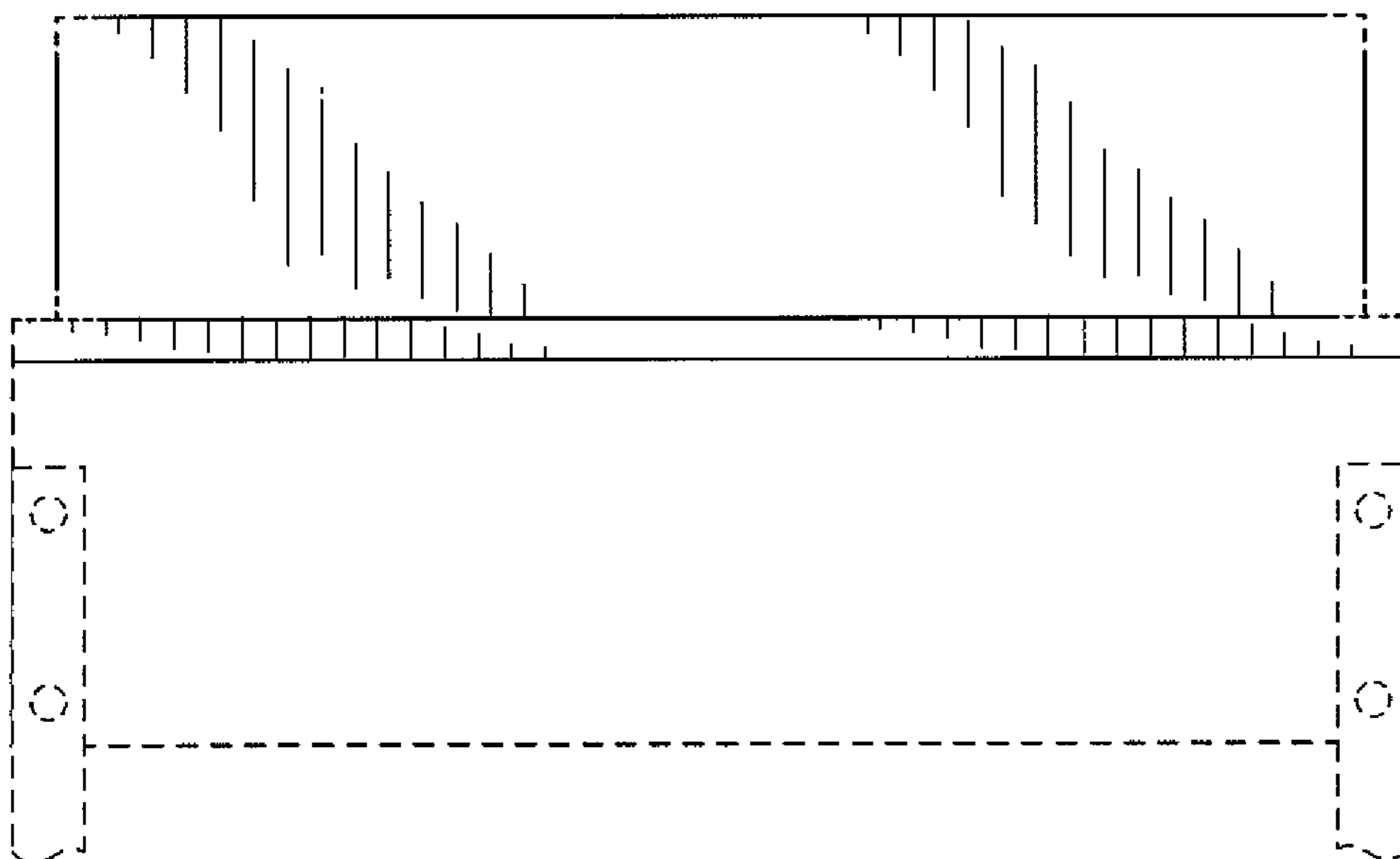


FIG. 4

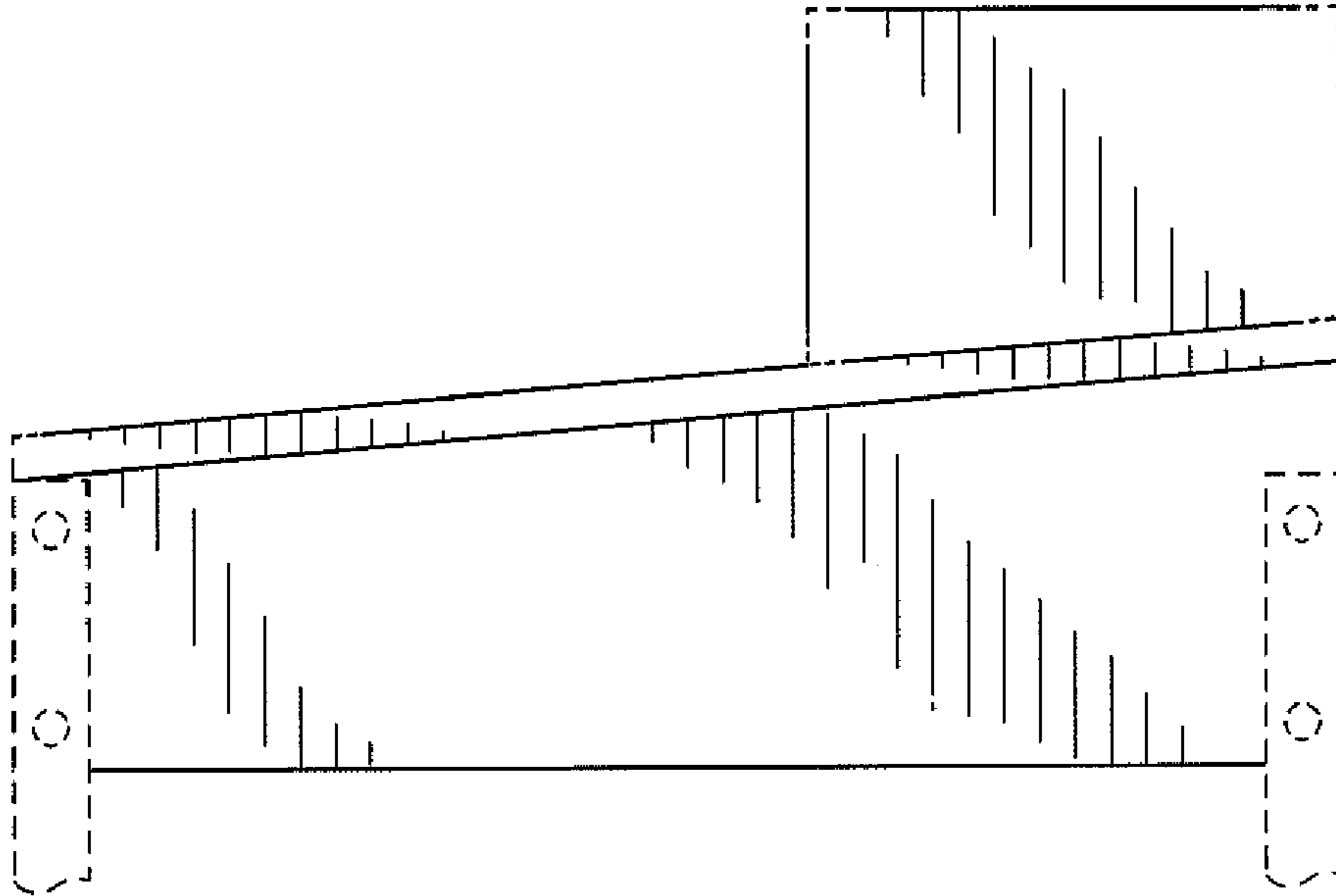


FIG. 5

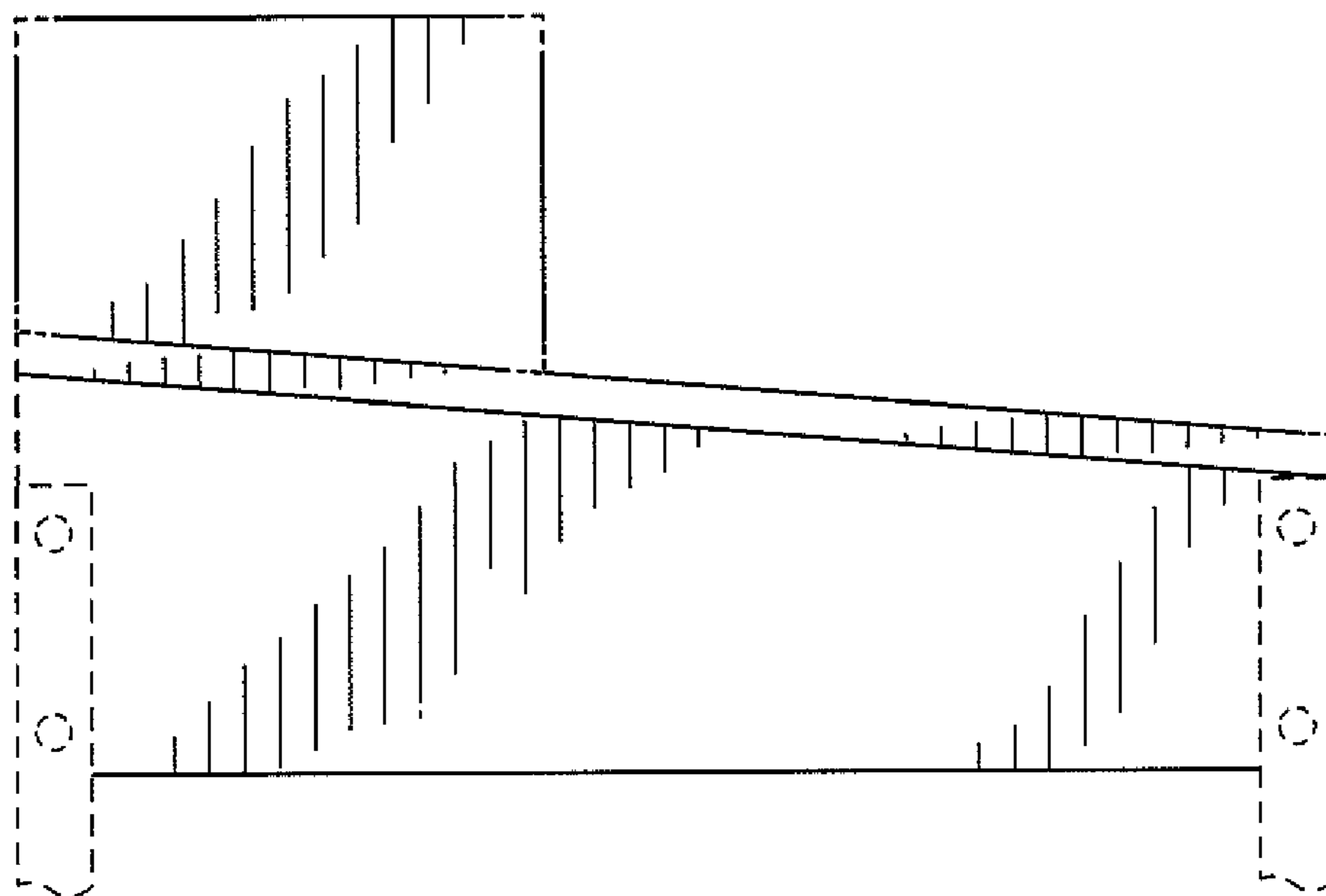


FIG. 6