



US00D588842S

(12) **United States Design Patent**
Saotome

(10) **Patent No.:** **US D588,842 S**
(45) **Date of Patent:** **** Mar. 24, 2009**

(54) **TABLE**
(75) Inventor: **Hiroshi Saotome**, Ryugasaki (JP)
(73) Assignee: **Okamura Corporation** (JP)
(**) Term: **14 Years**
(21) Appl. No.: **29/279,079**
(22) Filed: **Apr. 19, 2007**

(30) **Foreign Application Priority Data**
Nov. 10, 2006 (JP) 2006-030800

(51) **LOC (9) Cl.** **06-03**
(52) **U.S. Cl.** **D6/480**
(58) **Field of Classification Search** D6/480-489,
D6/495-499, 429-231; 108/150, 153.1,
108/156, 157.1, 161, 115, 124; 248/188,
248/188.1, 188.8

See application file for complete search history.

(56) **References Cited**

U.S. PATENT DOCUMENTS

D164,295 S * 8/1951 Gierlich D6/429
D236,058 S * 7/1975 Kramer D6/484
D322,729 S * 12/1991 Diffrient D6/487
5,121,697 A * 6/1992 Baum et al. 108/124
D330,299 S * 10/1992 Saotome D6/429
D336,393 S * 6/1993 Saotome D6/484
D380,632 S * 7/1997 Schacht D6/495
D412,256 S * 7/1999 Gutsell D6/495

D512,587 S * 12/2005 Frenkler et al. D6/480
D552,883 S * 10/2007 Saotome D6/480
D554,909 S * 11/2007 Theemann D6/480

* cited by examiner

Primary Examiner—Janice E Seeger

(74) *Attorney, Agent, or Firm*—Ostrolenk, Faber, Gerb & Soffen, LLP

(57) **CLAIM**

The ornamental design for a table, as shown and described.

DESCRIPTION

FIG. 1 is a front elevational view of a table showing my new design;

FIG. 2 is a right side elevational view thereof, the opposite side view being a mirror image;

FIG. 3 is a top plan view thereof;

FIG. 4 is a rear elevational view thereof;

FIG. 5 is a bottom plan view thereof;

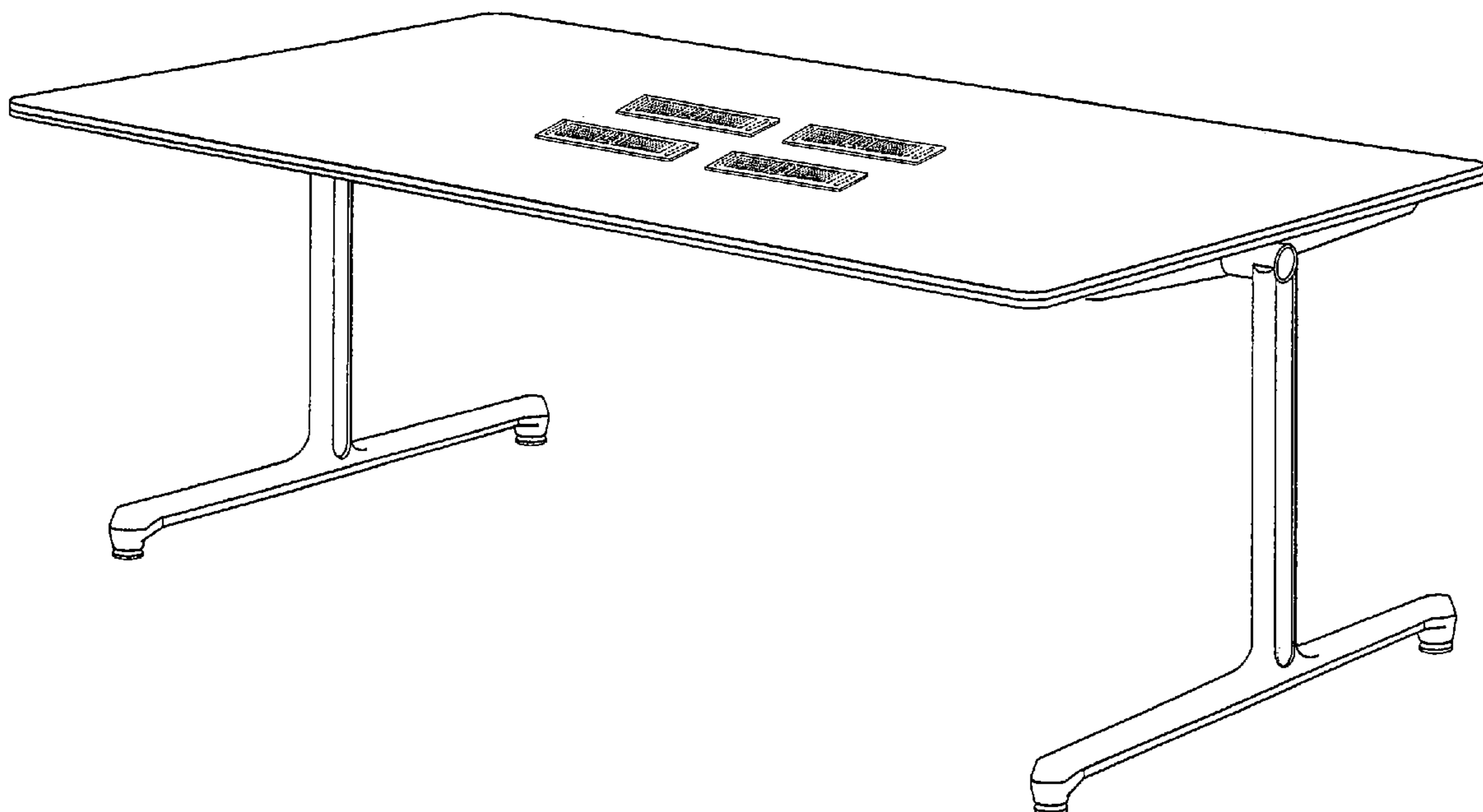
FIG. 6 is a cross-sectional view taken along the lines 6—6 in FIG. 1;

FIG. 7 is a perspective view of the table; and,

FIG. 8 is an enlarged perspective view of a fragment of the table as shown in FIG. 7.

The broken lines are for environmental purposes only and form no part of the claimed design.

1 Claim, 8 Drawing Sheets



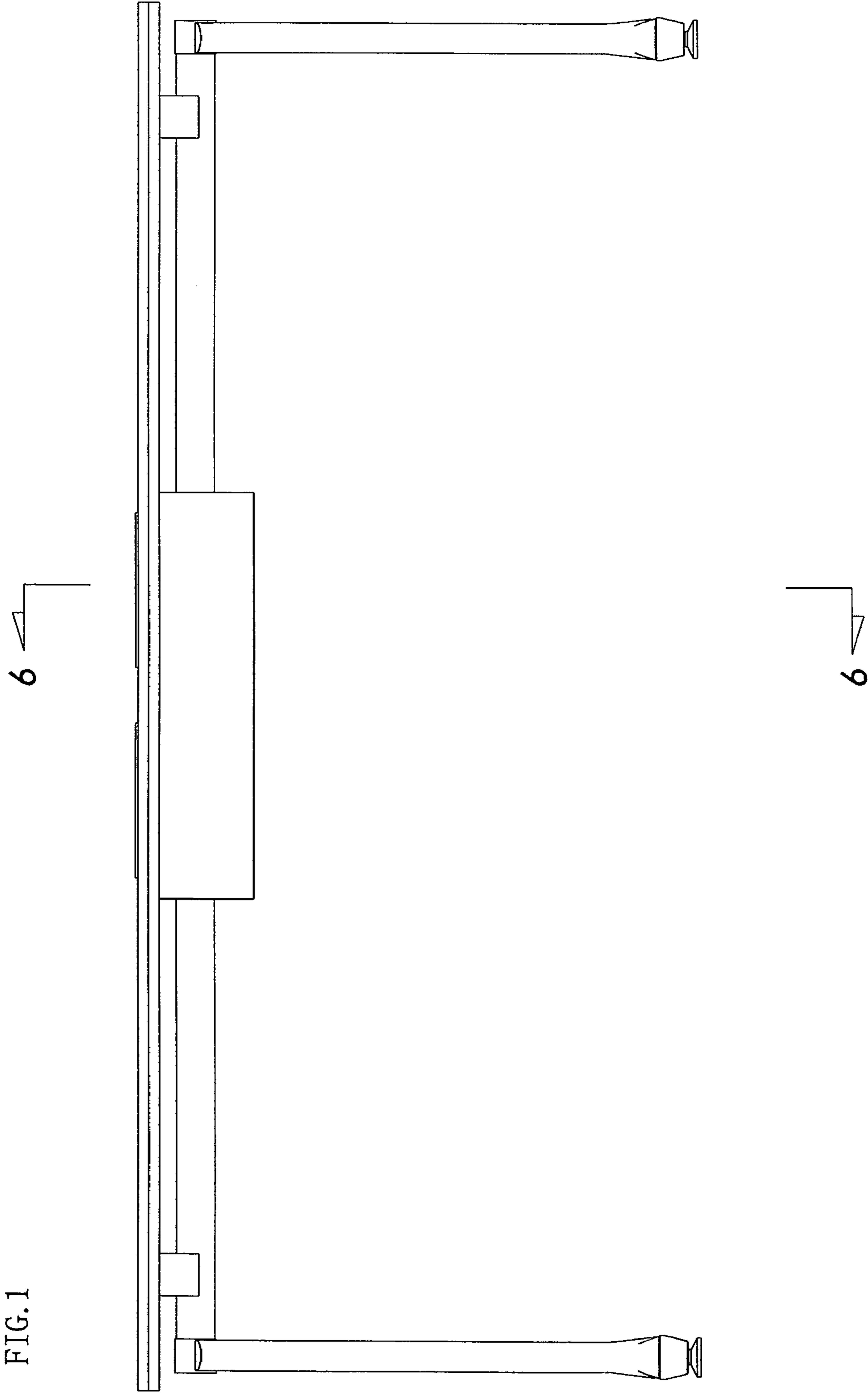
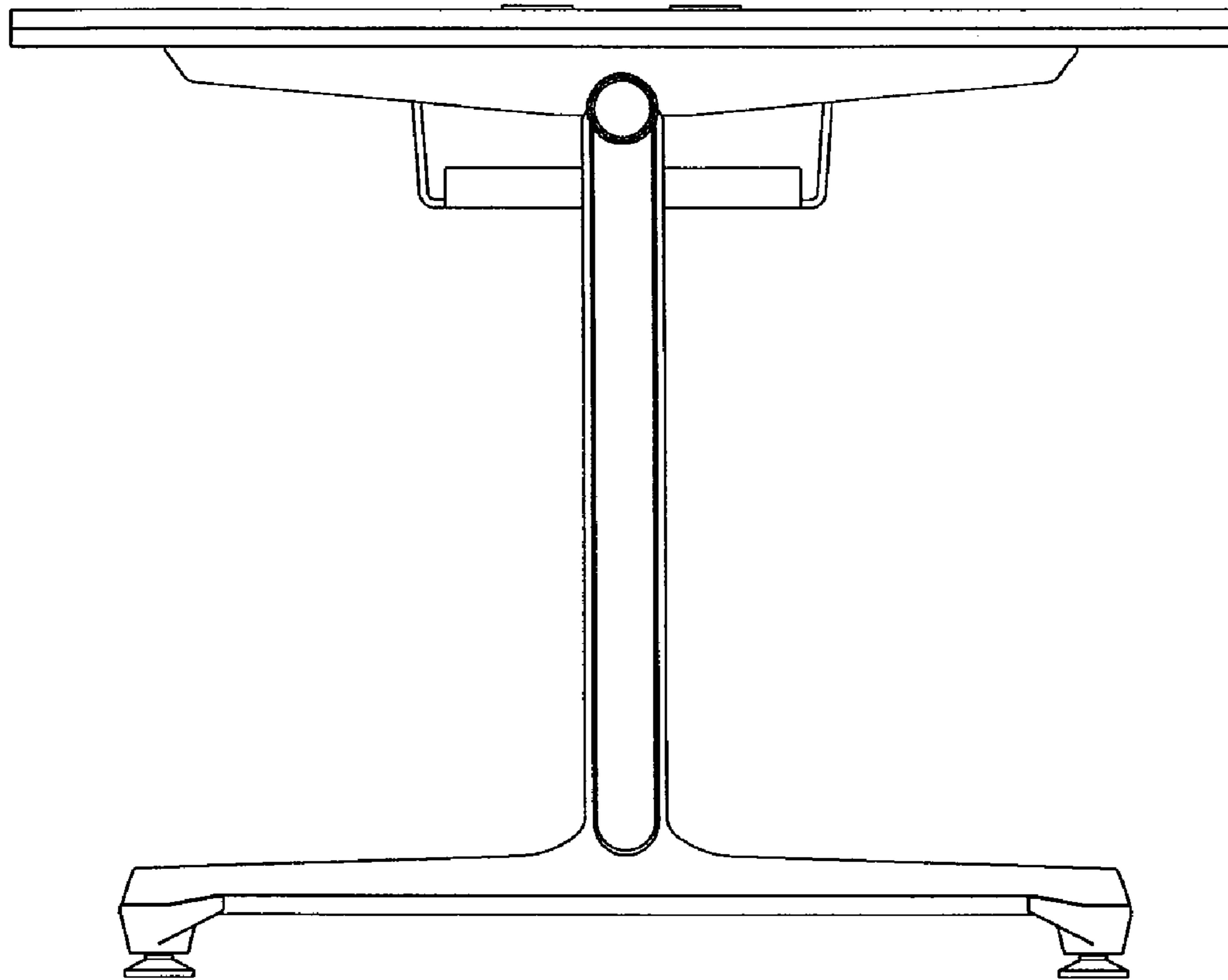


FIG. 2



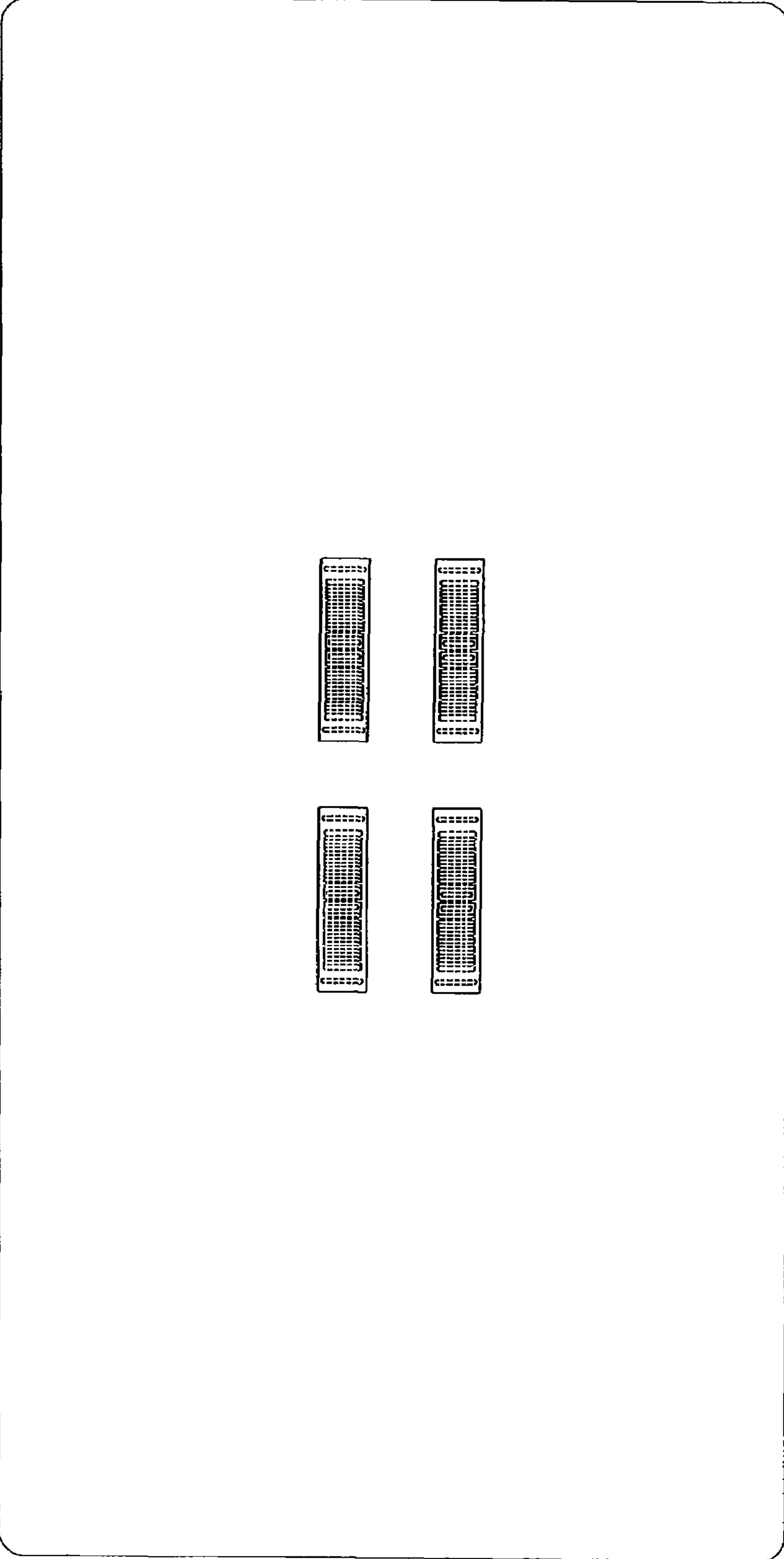
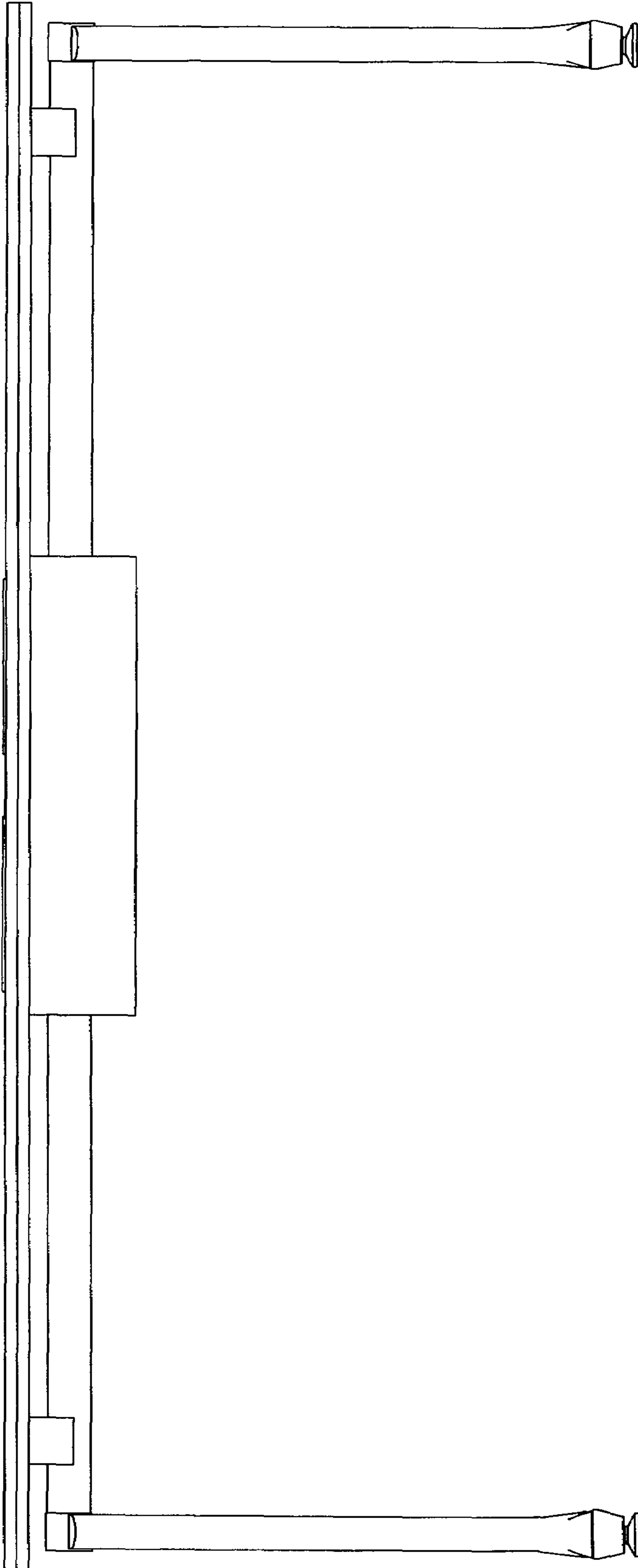


FIG. 3

FIG. 4



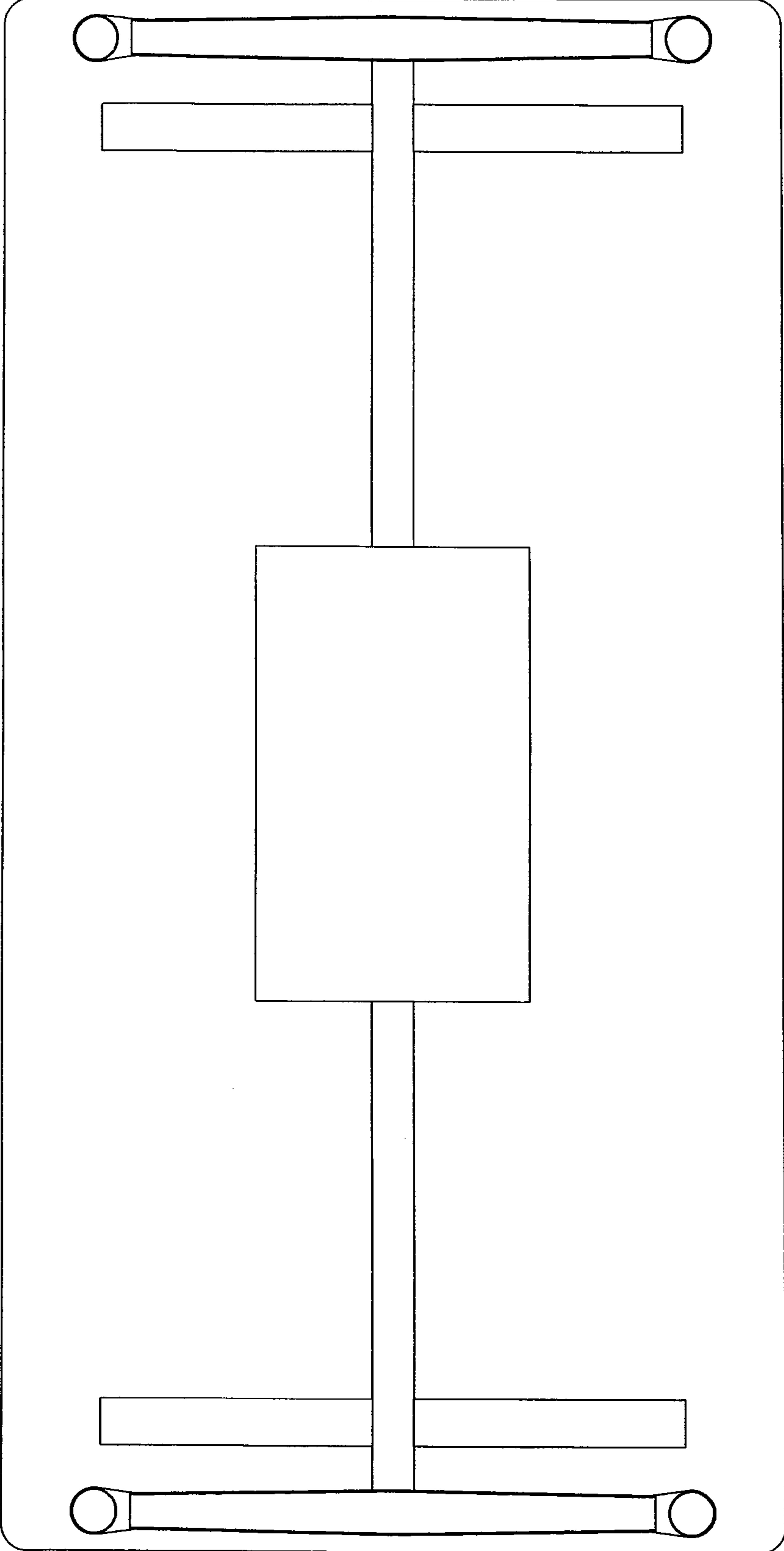
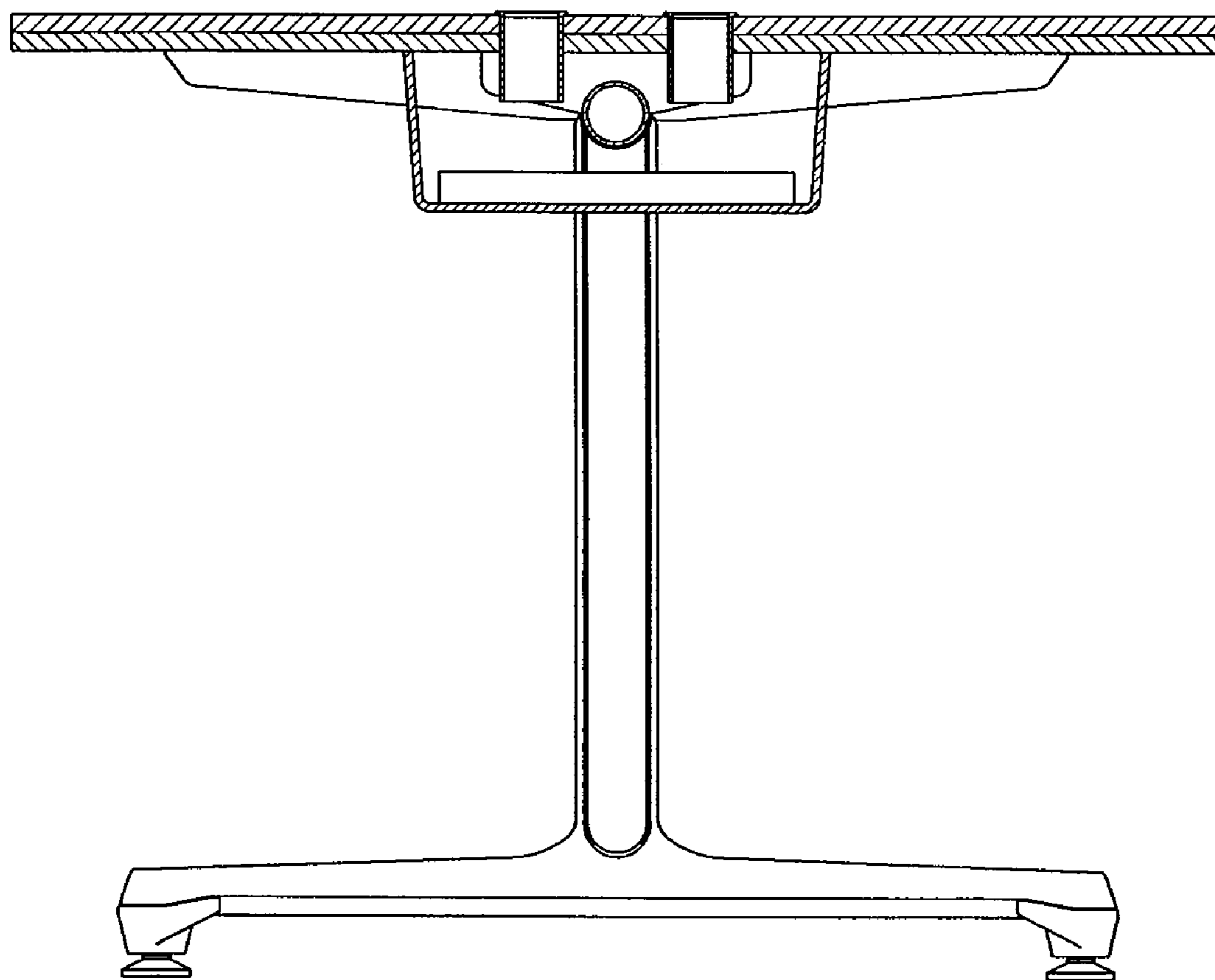


FIG. 5

FIG. 6



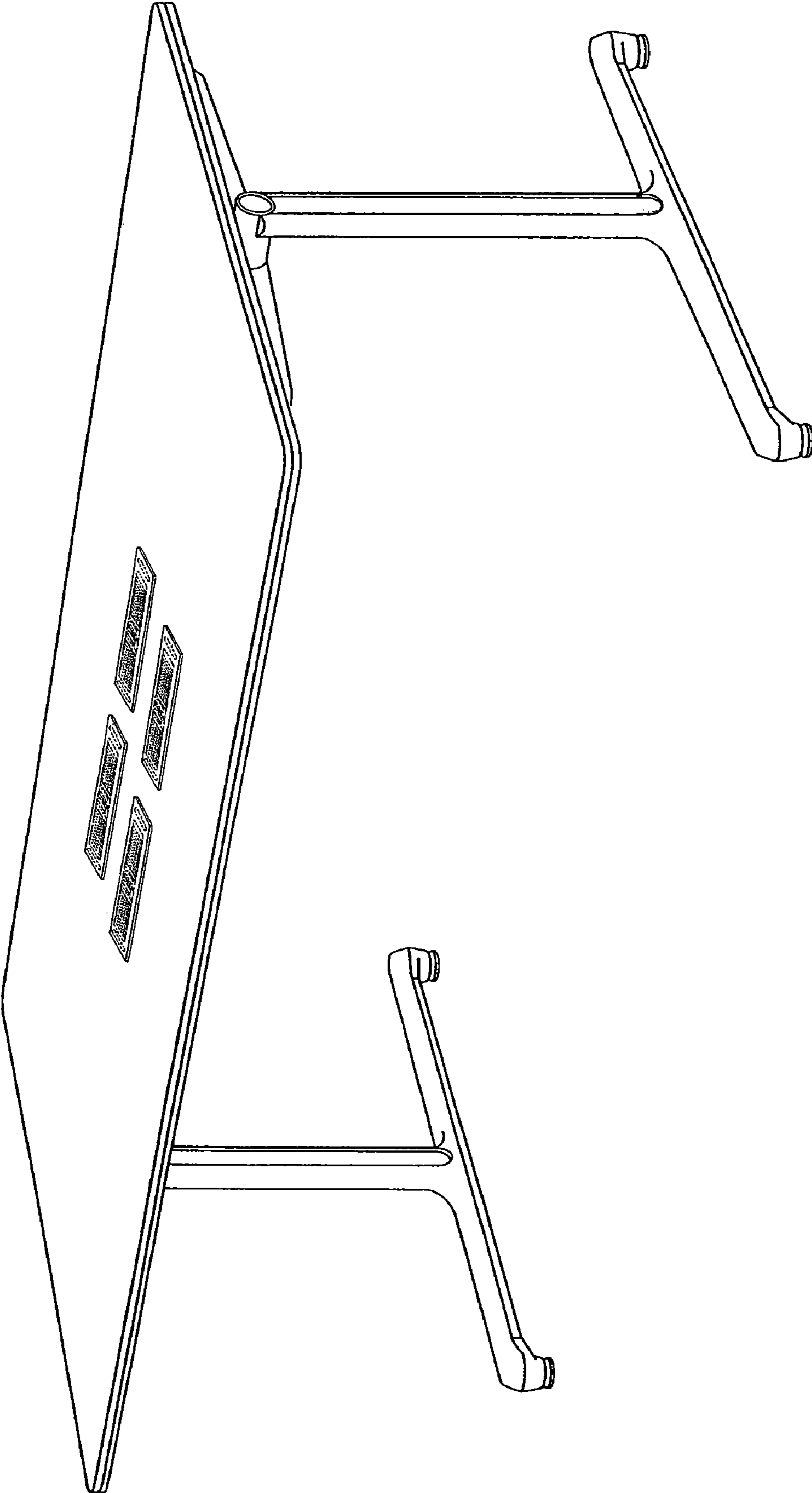


FIG. 7

FIG. 8

