



US00D588841S

(12) **United States Design Patent**
Lown et al.

(10) **Patent No.:** **US D588,841 S**
(45) **Date of Patent:** **** Mar. 24, 2009**

(54) **RACK**

(75) Inventors: **Aaron Lown**, Tuxedo, NY (US); **John R. Swartz**, Ridgewood, NJ (US)

(73) Assignee: **Built NY, Inc.**, New York, NY (US)

(**) Term: **14 Years**

(21) Appl. No.: **29/252,860**

(22) Filed: **Jan. 26, 2006**

(51) **LOC (9) Cl.** **06-04**

(52) **U.S. Cl.** **D6/465**

(58) **Field of Classification Search** D6/455,
D6/495, 457, 458, 460-468, 566, 405, 447,
D6/514, 462-465, 473-476, 525, 407, 629,
D6/410-415, 499, 317; 211/13.1, 34, 36-38,
211/41.12, 85.31, 106, 181.1; 206/307.1,
206/308.1, 59, 76, 91, 92; 108/102, 106;
D15/89; D23/351, 354

See application file for complete search history.

(56) **References Cited**

U.S. PATENT DOCUMENTS

345,660	A *	7/1886	John	2/339
D196,980	S *	11/1963	Christoffersen	D6/465
3,288,976	A *	11/1966	Sandret	219/56
D291,641	S *	9/1987	Farley	D6/566
D308,309	S *	6/1990	Gersin et al.	D6/465
D443,791	S *	6/2001	Martino	D6/630

D462,202	S *	9/2002	Battaglia et al.	D6/465
D469,629	S *	2/2003	Shea	D6/465
D495,523	S *	9/2004	Harwanko	D6/410
D497,738	S *	11/2004	Sparkowski	D6/465
D521,303	S *	5/2006	Yu	D6/630
D523,681	S *	6/2006	Dardashti	D6/630
D534,374	S *	1/2007	Wright	D6/465

OTHER PUBLICATIONS

Coils of refrigerator (Fig. 5) www.dmme.virginia.gov/De/figure7-5.jpg posted on Internet on May 31, 2007.*

* cited by examiner

Primary Examiner—Caron Veynar

Assistant Examiner—Abraham Bahta

(74) *Attorney, Agent, or Firm*—Lackenbach Siegel, LLP

(57) **CLAIM**

The ornamental design for a rack, as shown and described.

DESCRIPTION

FIG. 1 is a perspective view of a rack showing our new design;

FIG. 2 is a front elevational view thereof.

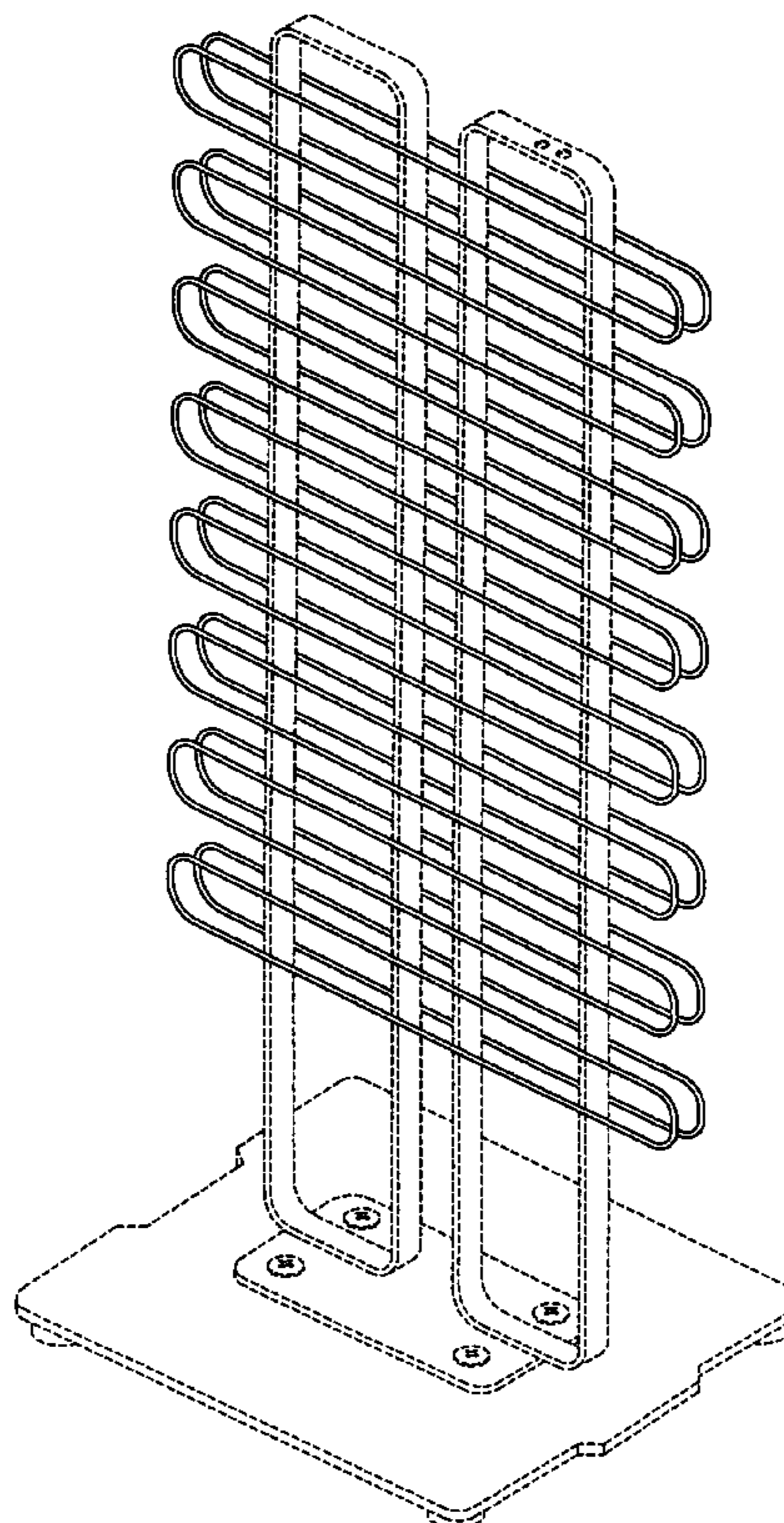
FIG. 3 is a top plan view thereof.

FIG. 4 is a side elevational view thereof; and,

FIG. 5 is a bottom plan view thereof.

The broken lines throughout the present design are for illustrative purposes only and form no part of the claimed design.

1 Claim, 3 Drawing Sheets



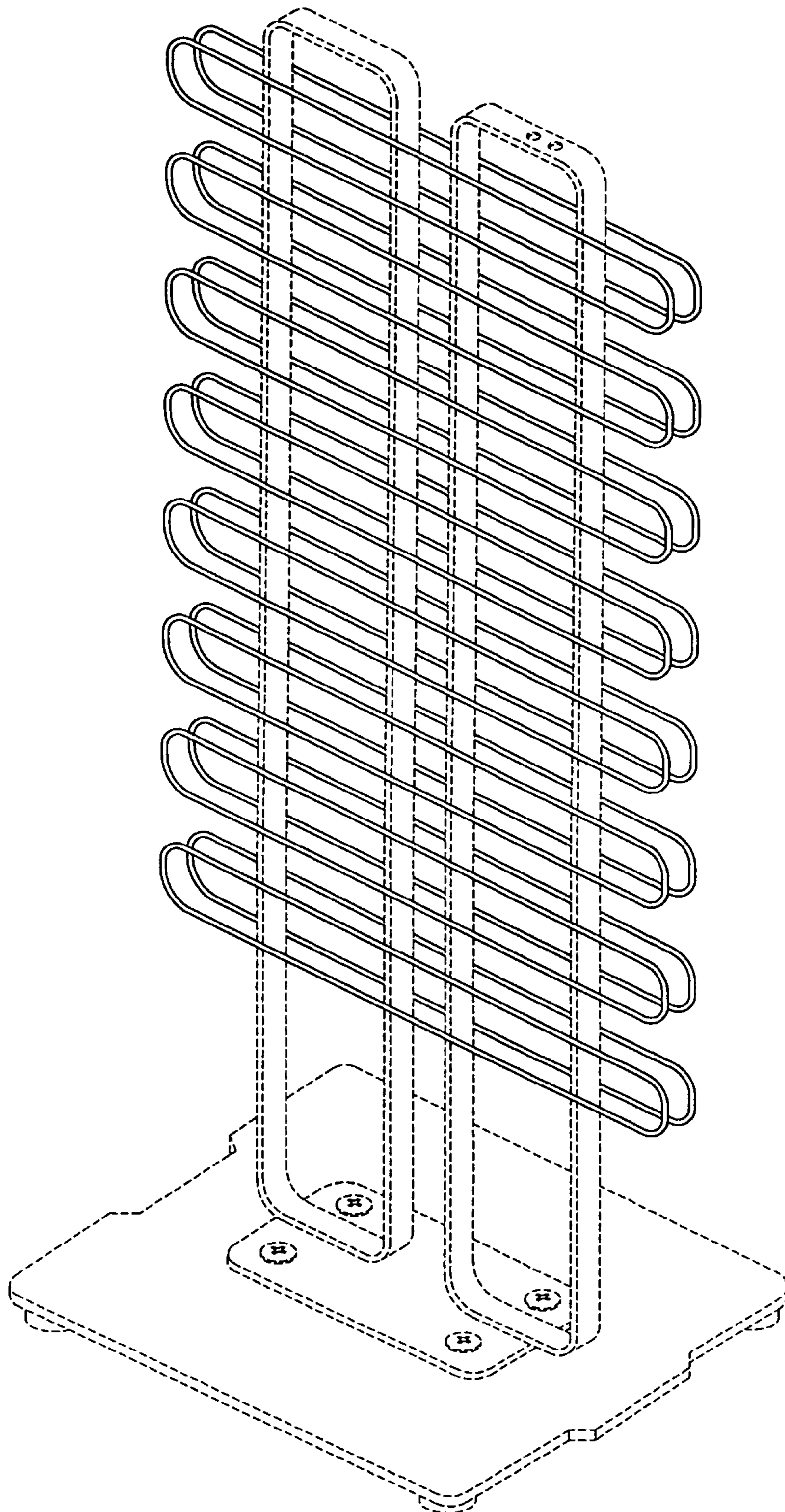


FIG. 1

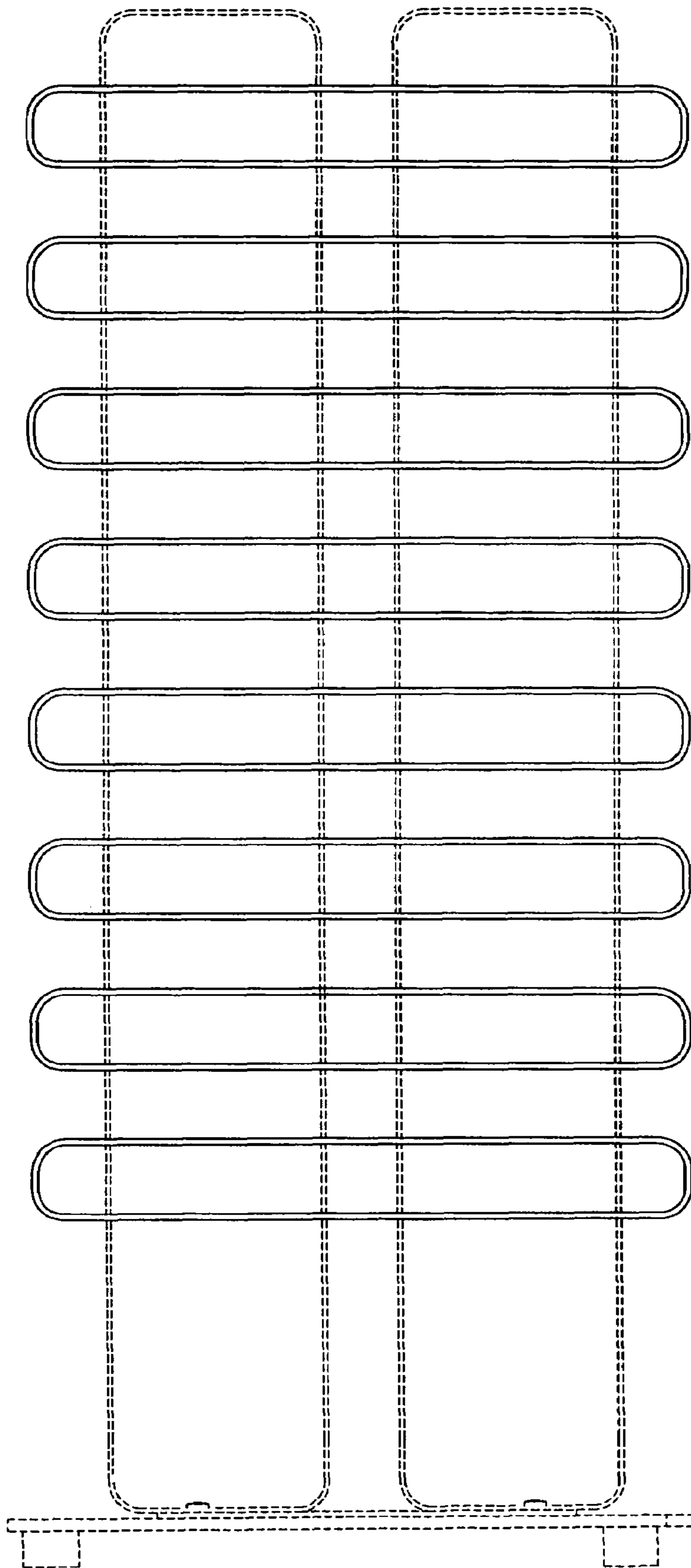


FIG.2

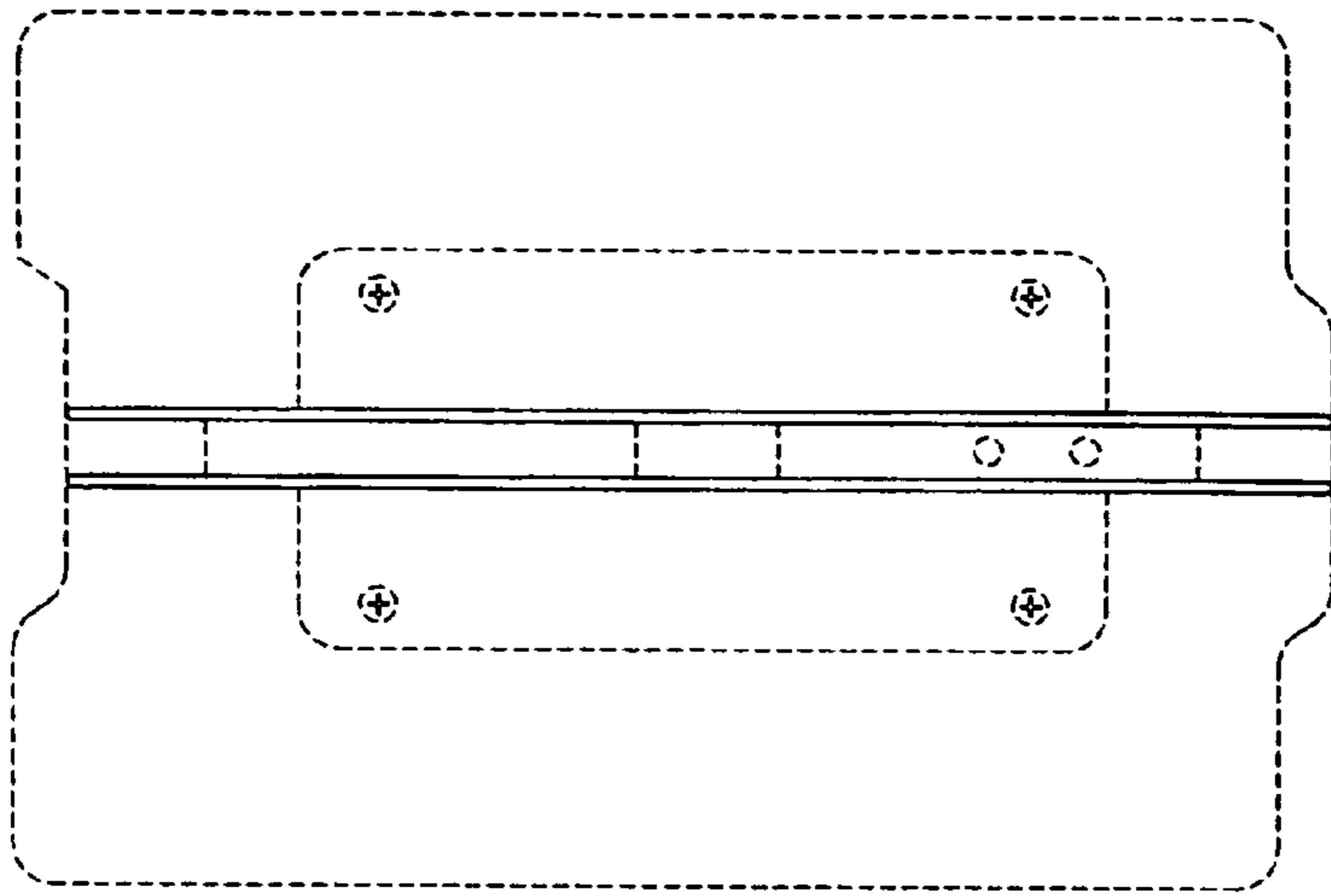


FIG. 3

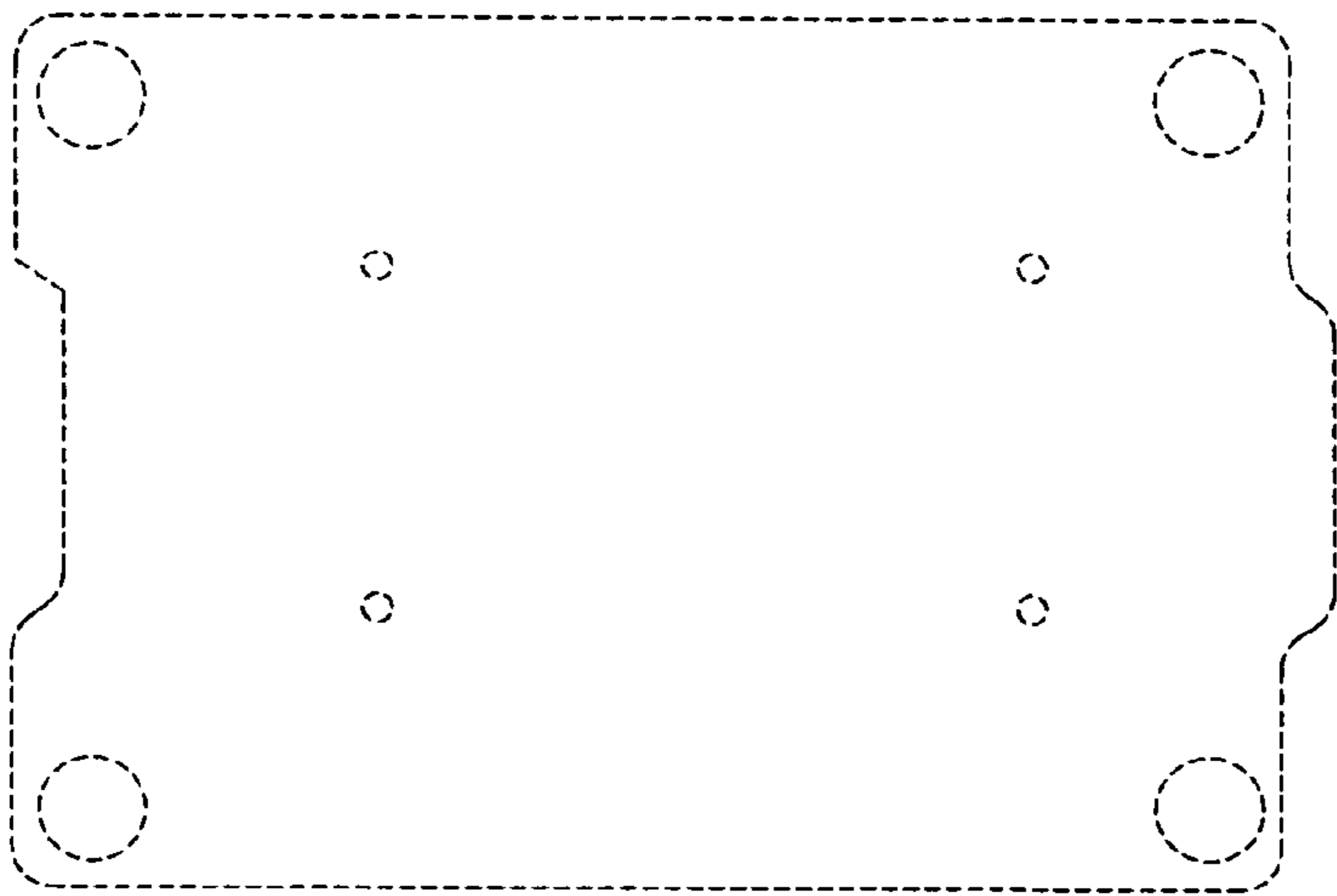


FIG. 5

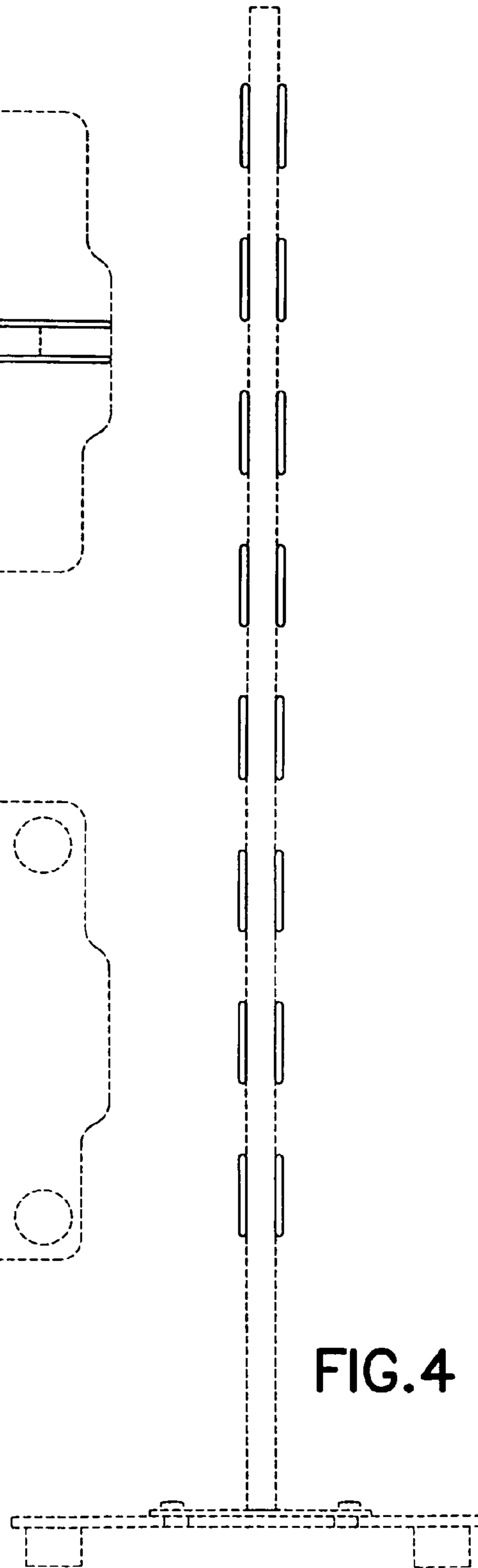


FIG. 4