



US00D588833S

(12) **United States Design Patent**
LeTourneau

(10) **Patent No.:** **US D588,833 S**
(45) **Date of Patent:** **** Mar. 24, 2009**

- (54) **VANITY**
- (75) Inventor: **Alexander V. LeTourneau**, Sheboygan, WI (US)
- (73) Assignee: **Kohler Co.**, Kohler, WI (US)
- (**) Term: **14 Years**
- (21) Appl. No.: **29/279,761**
- (22) Filed: **May 7, 2007**
- (51) **LOC (9) Cl.** **06-04**
- (52) **U.S. Cl.** **D6/432**
- (58) **Field of Classification Search** D6/397,
D6/425-426, 429, 432-448, 470, 474, 477-480,
D6/484, 492, 495, 561; D23/286, 308; 4/643;
312/108, 114, 117, 204, 224, 227, 237, 297,
312/330.1, 334.36, 348.3
See application file for complete search history.

(56) **References Cited**

U.S. PATENT DOCUMENTS

D480,893 S * 10/2003 Berry et al. D6/434

(Continued)

OTHER PUBLICATIONS

Porcher. "Archive 38 Vanity Wood Top—89380". PlumbTile.com online catalog. Copyright 2004-2007 PlumbTile.

(Continued)

Primary Examiner—Caron Veynar

Assistant Examiner—Ricky Pham

(74) *Attorney, Agent, or Firm*—Quarles & Brady LLP

(57) **CLAIM**

The ornamental design for a vanity, as shown and described.

DESCRIPTION

In a preferred embodiment, the nature of this product is a vanity such as can be used to support a lavatory.

FIG. 1 is a right, top, front perspective view of a vanity embodying my new design;

FIG. 2 is a front elevational view thereof;

FIG. 3 is a right side elevational view thereof, the left side elevational view thereof being a mirror image of the right side shown;

FIG. 4 is a top plan view thereof;

FIG. 5 is a rear elevational view thereof;

FIG. 6 is a bottom plan view thereof;

FIG. 7 is a right, top, front perspective view of a vanity according to another embodiment of my new design, the right side elevational view thereof being identical to FIG. 3 and the left side elevational view thereof being a mirror image of FIG. 3;

FIG. 8 is a front elevational view thereof;

FIG. 9 is a top plan view thereof;

FIG. 10 is a rear elevational view thereof;

FIG. 11 is a bottom plan view thereof;

FIG. 12 is a right, top, front perspective view of a vanity according to another embodiment of my new design, the right side elevational view thereof being identical to FIG. 3 and the left side elevational view thereof being a mirror image of FIG. 3;

FIG. 13 is a front elevational view thereof;

FIG. 14 is a top plan view thereof;

FIG. 15 is a rear elevational view thereof;

FIG. 16 is a bottom plan view thereof;

FIG. 17 is a right, top, front perspective view of a vanity according to another embodiment of my new design, the right side elevational view thereof being identical to FIG. 3 and the left side elevational view thereof being a mirror image of FIG. 3;

FIG. 18 is a front elevational view thereof;

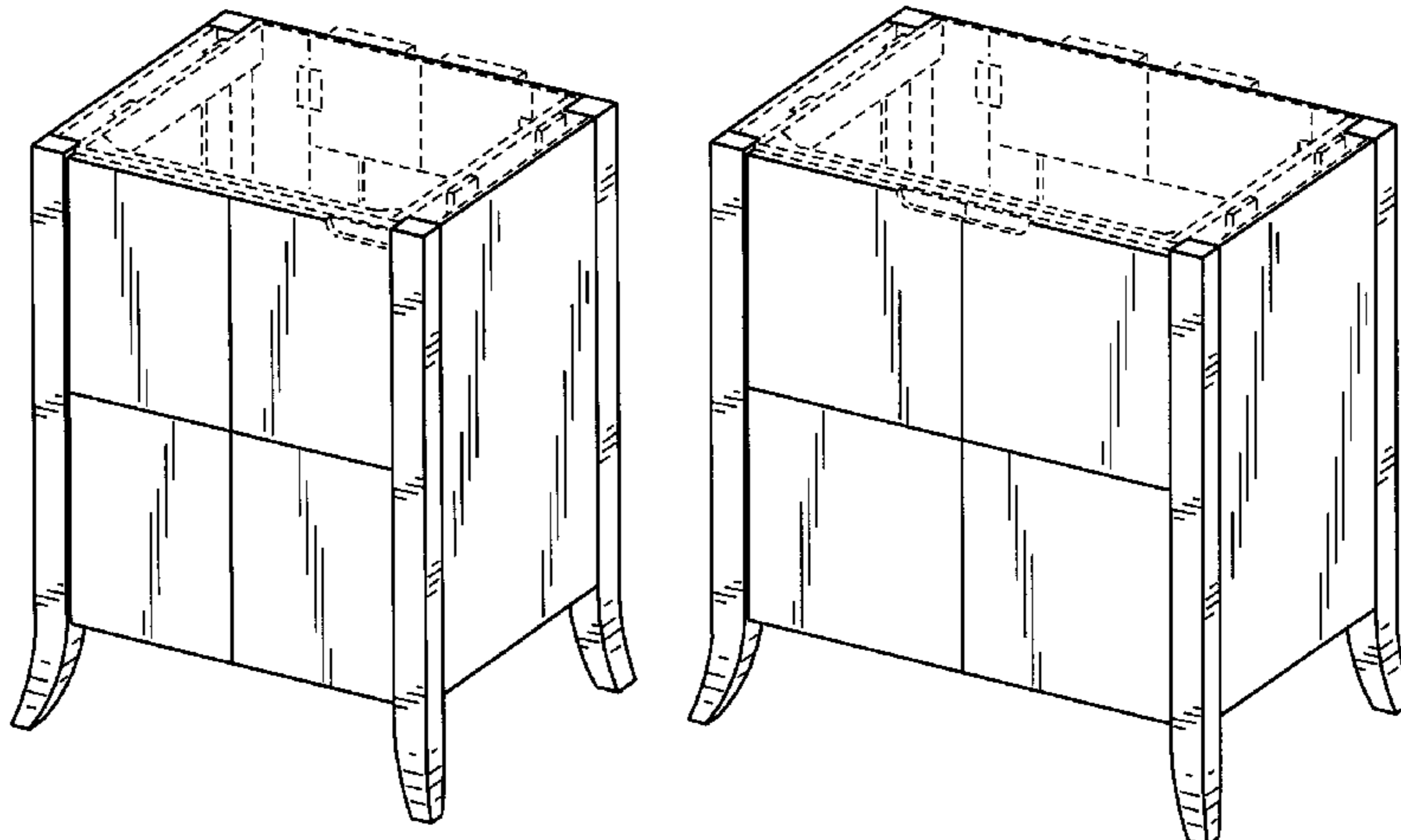
FIG. 19 is a top plan view thereof;

FIG. 20 is a rear elevational view thereof; and,

FIG. 21 is a bottom plan view thereof.

The broken line representations in the figures for the purpose of illustration only, and form no part of the claimed design.

1 Claim, 8 Drawing Sheets



US D588,833 S

Page 2

U.S. PATENT DOCUMENTS

D519,299 S * 4/2006 Boudreau D6/436
D526,814 S * 8/2006 Juneau et al. D6/446
D531,834 S * 11/2006 Baade D6/436
D555,935 S * 11/2007 Domack et al. D6/446
D559,016 S * 1/2008 Domack et al. D6/480
D562,597 S * 2/2008 Weatherly D6/479
D566,433 S * 4/2008 Puksta D6/495
D579,233 S * 10/2008 LeTourneau D6/446

OTHER PUBLICATIONS

Bissonnet. "Milan Vanity with one drawer and two doors."
HomePortfolio.com online catalog. Copyright 1997-2007
HomePortfolio.com.

Bissonnet. "Milan Vanity in cherry finish with ceramic sink and resin-composite top with backsplash". HomePortfolio.com online catalog. Copyright 1997-2007 HomePortfolio.com.

Empire. "Empire 48 Inch Dark Malibu 100 Collection bathroom vanity". Empire.com online catalog. Copyright 1997-2007 Mercantila, Inc.

* cited by examiner

FIG. 1

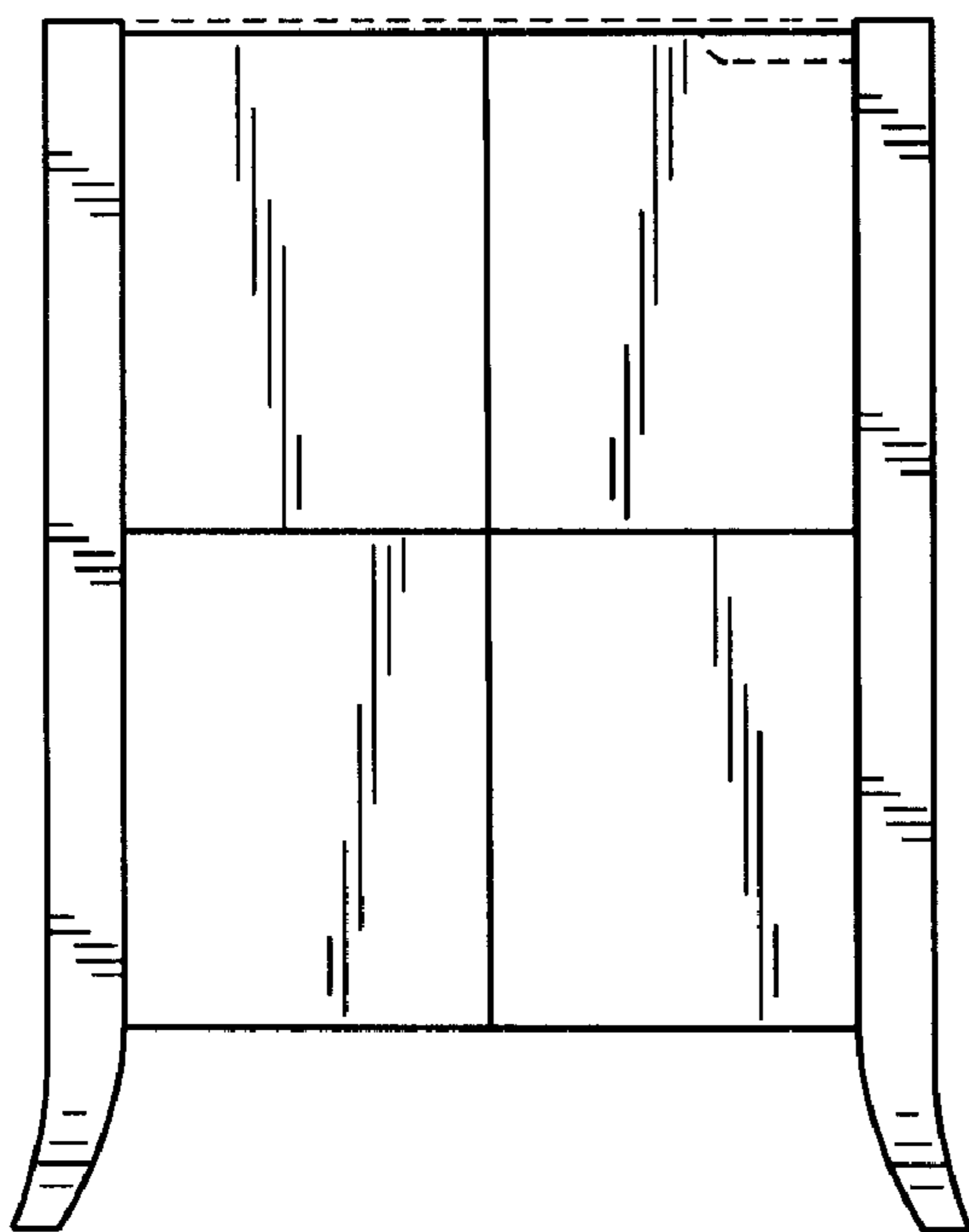
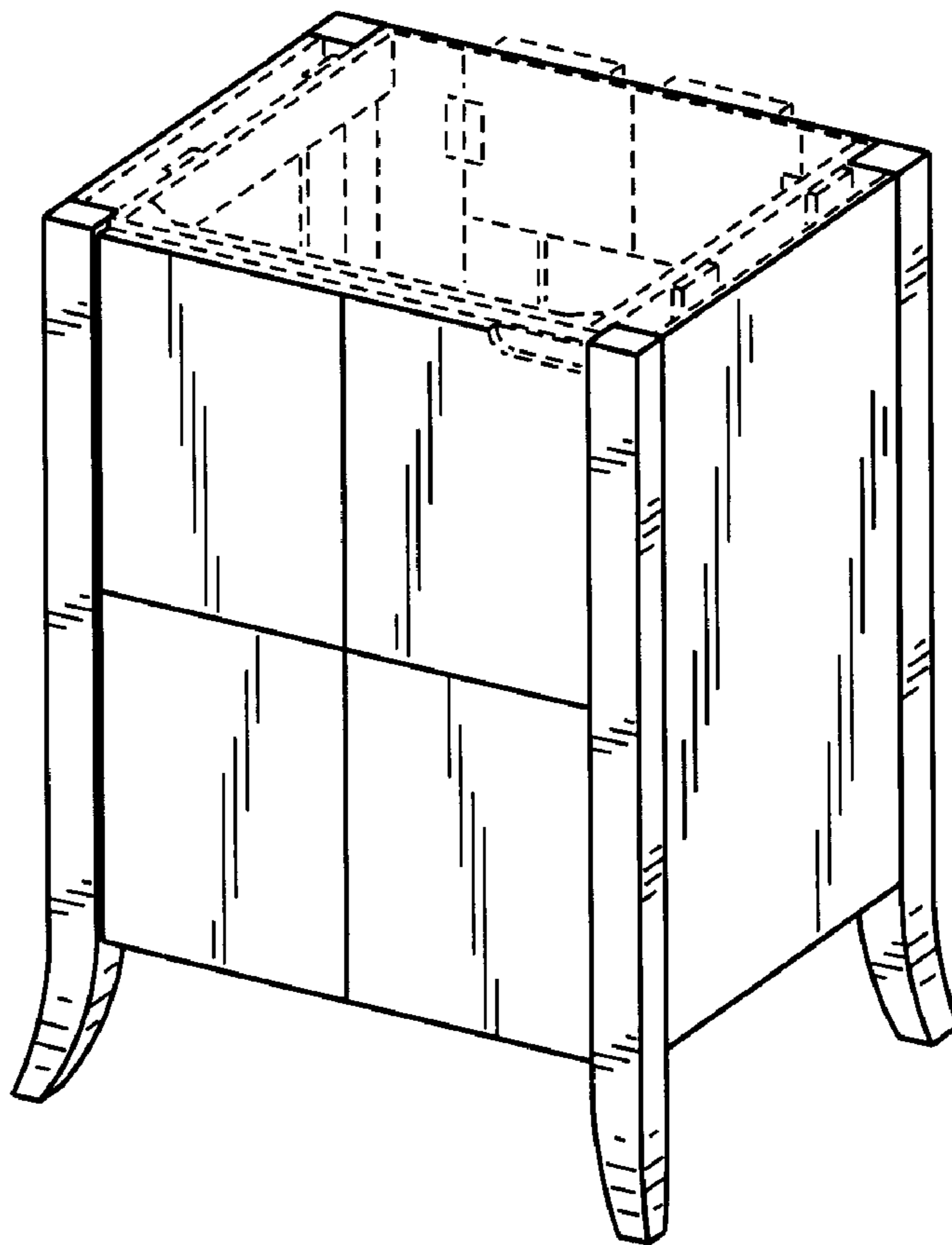


FIG. 2

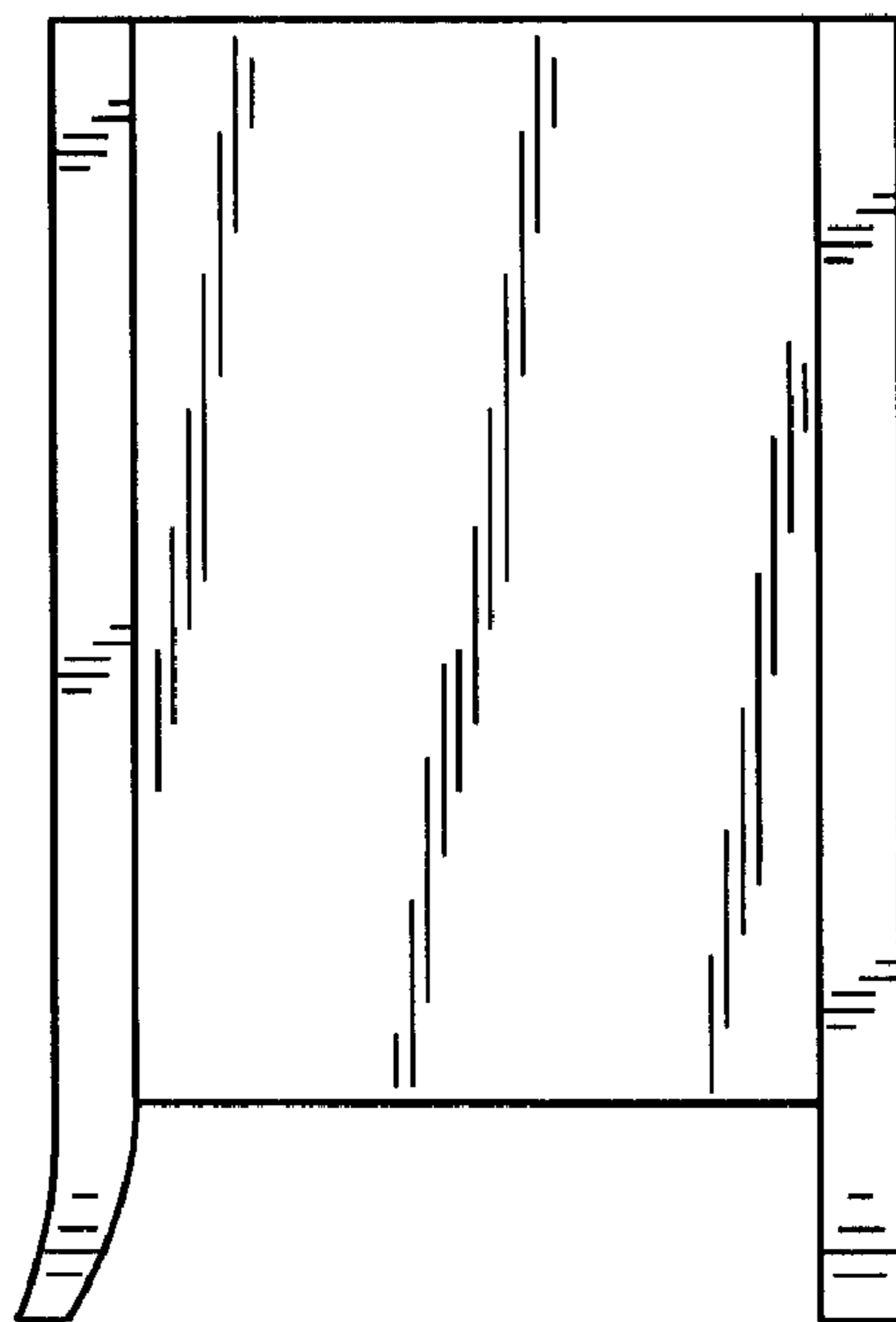


FIG. 3

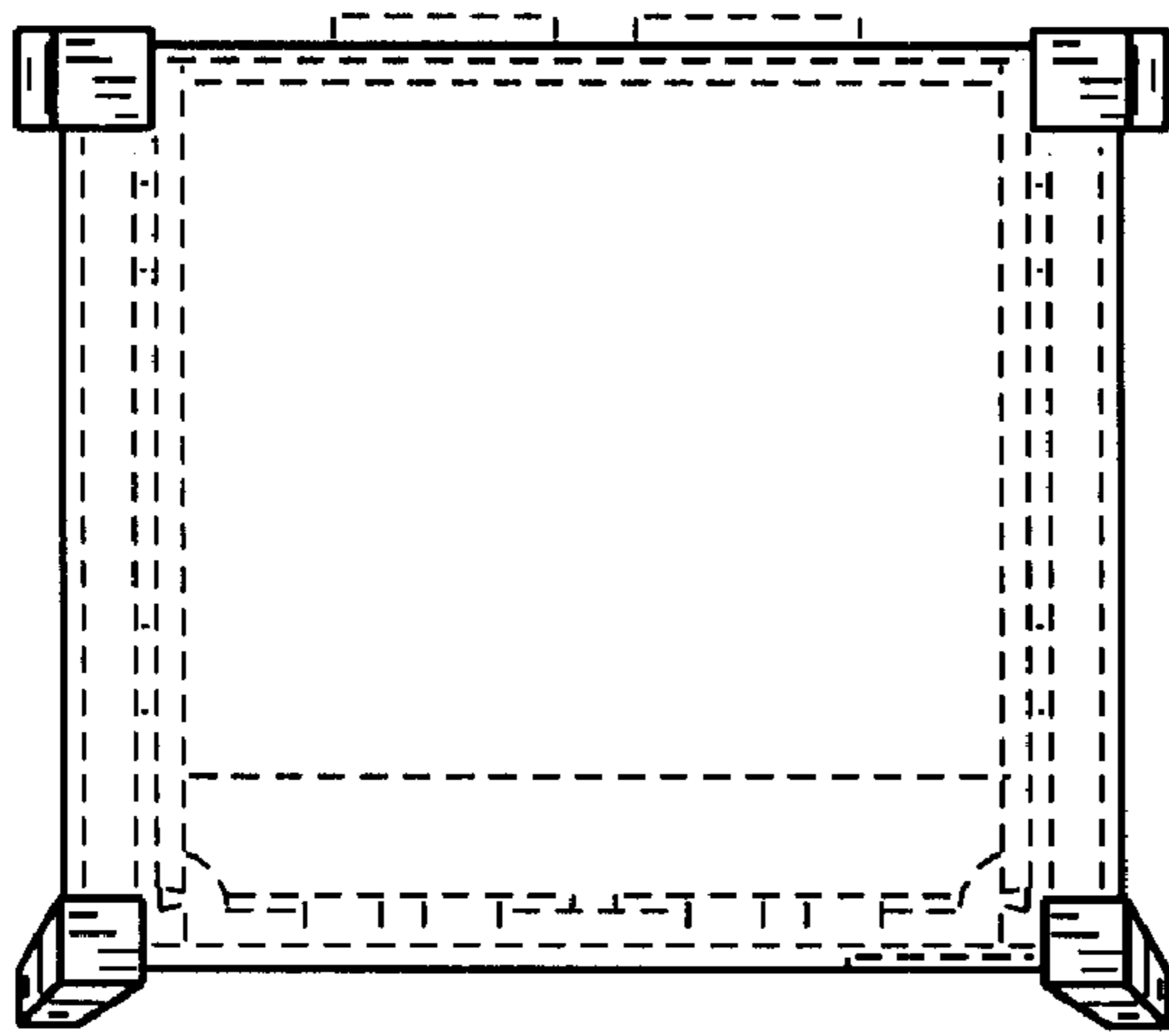


FIG. 4

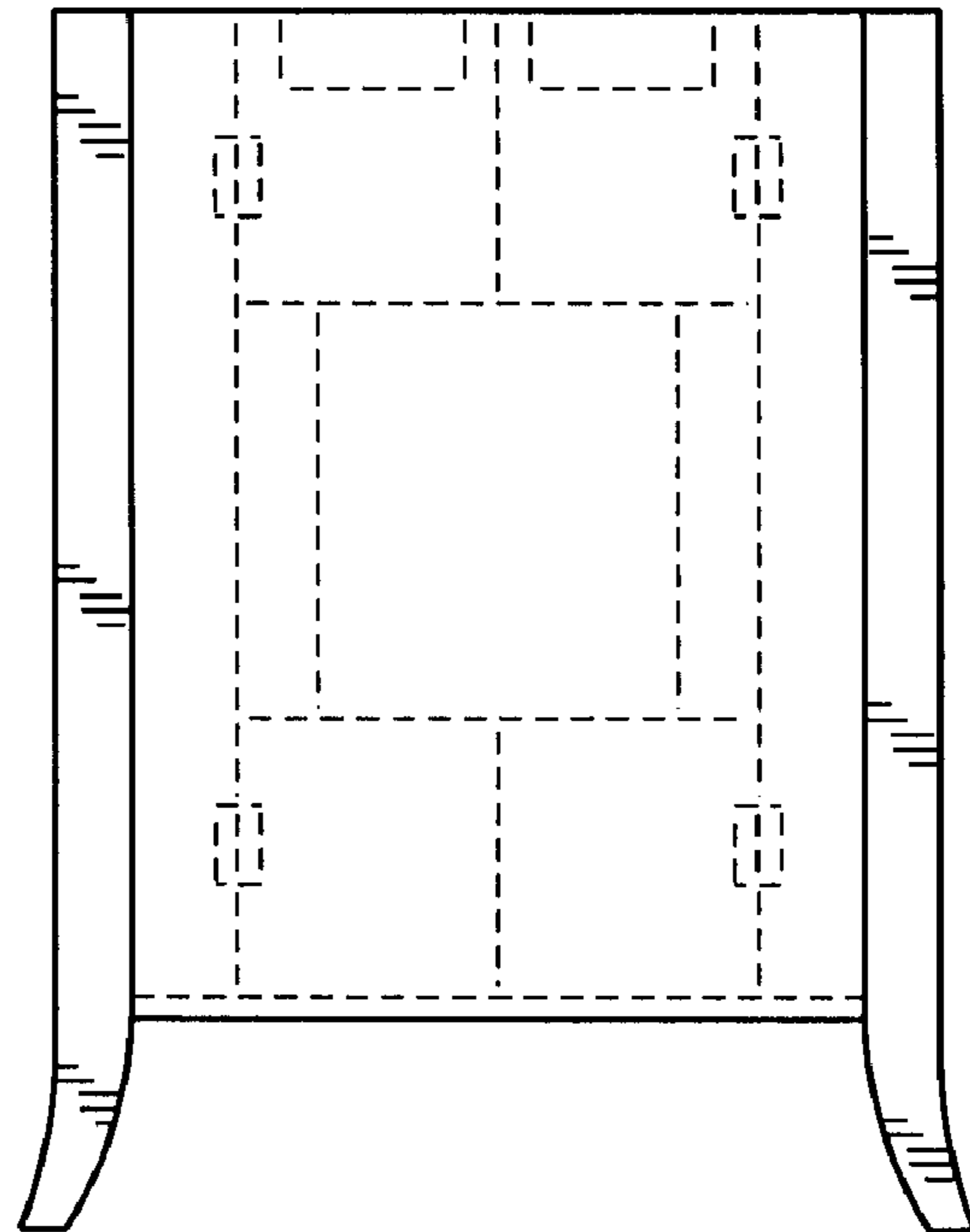


FIG. 5

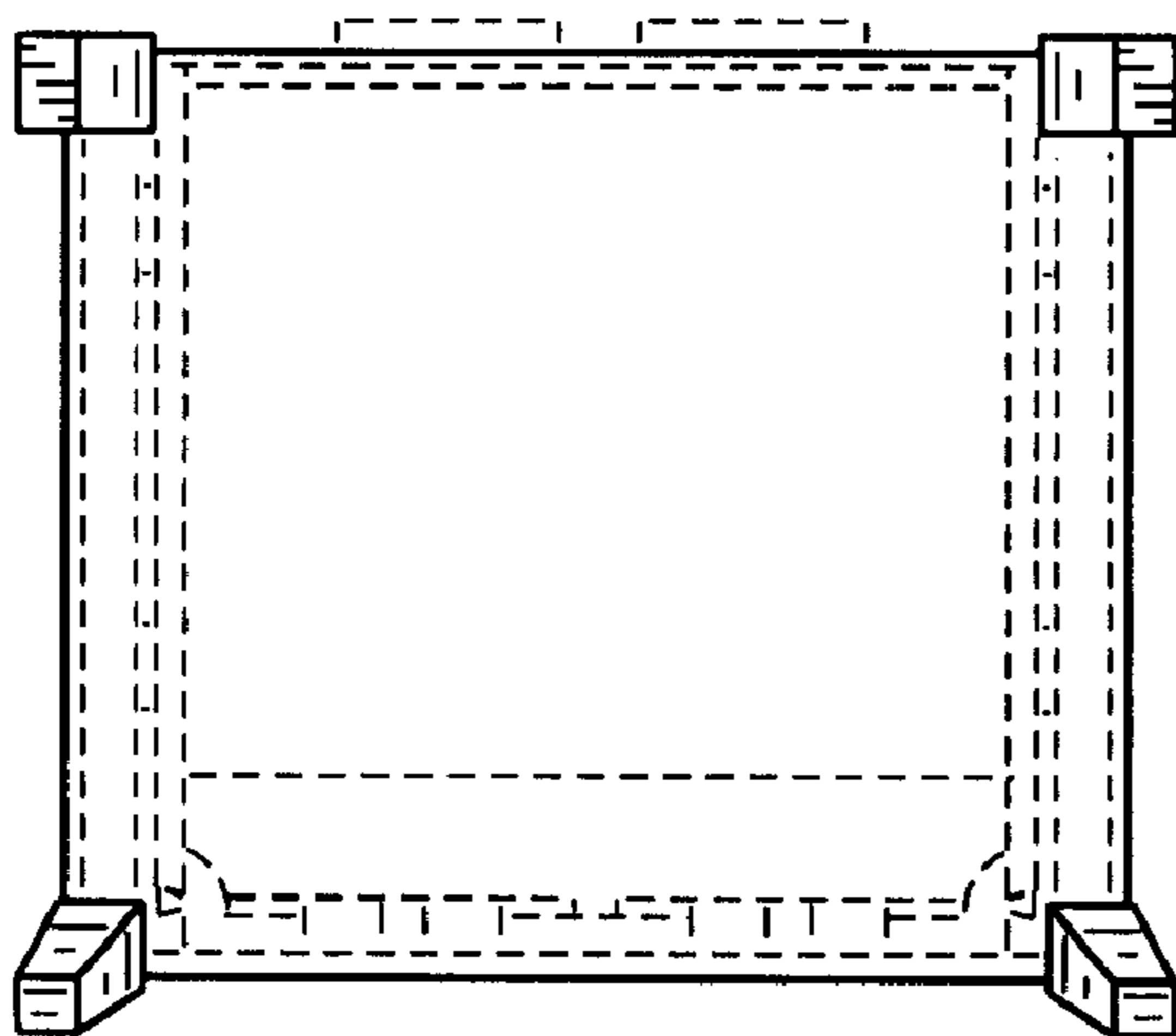


FIG. 6

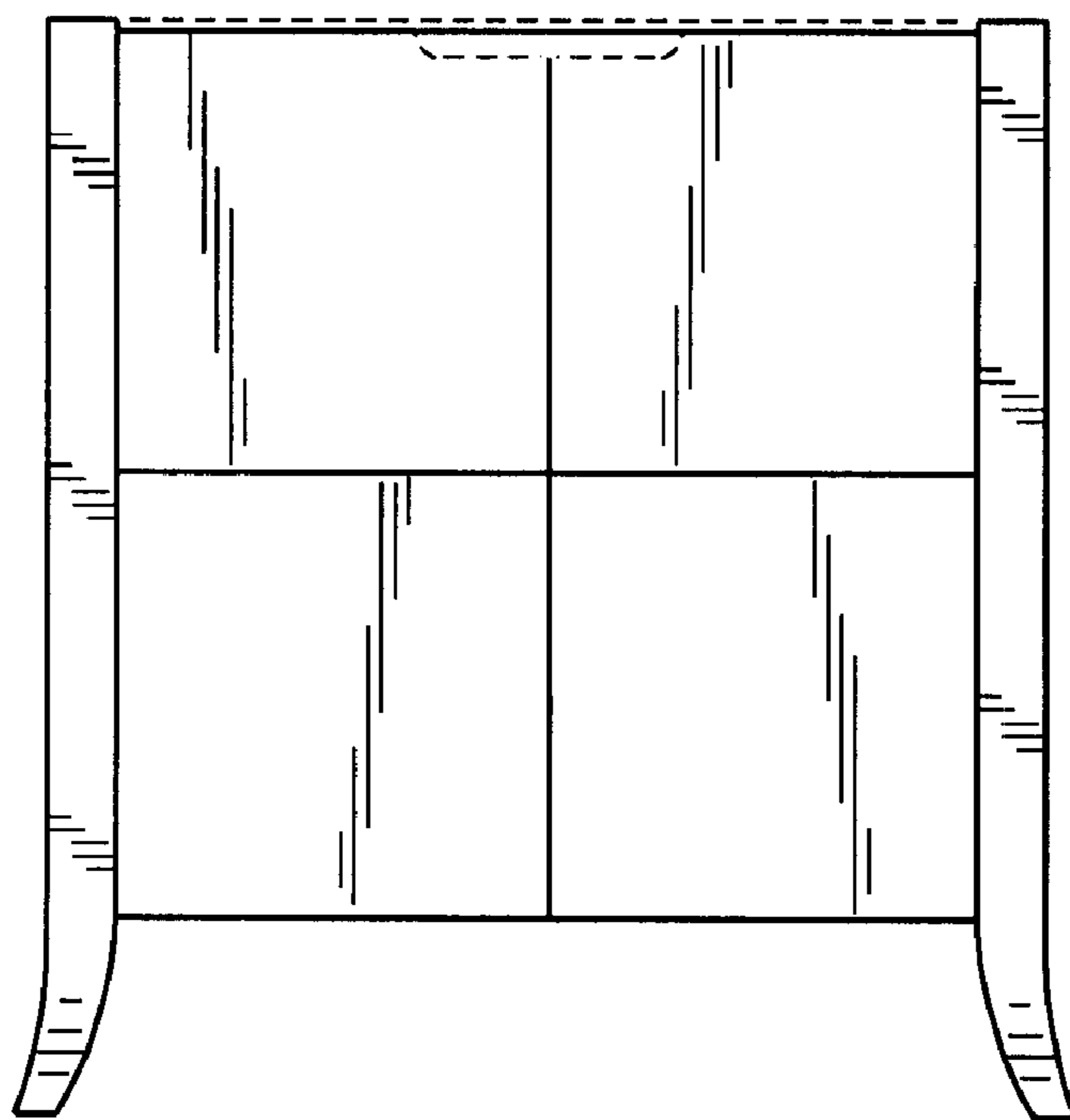
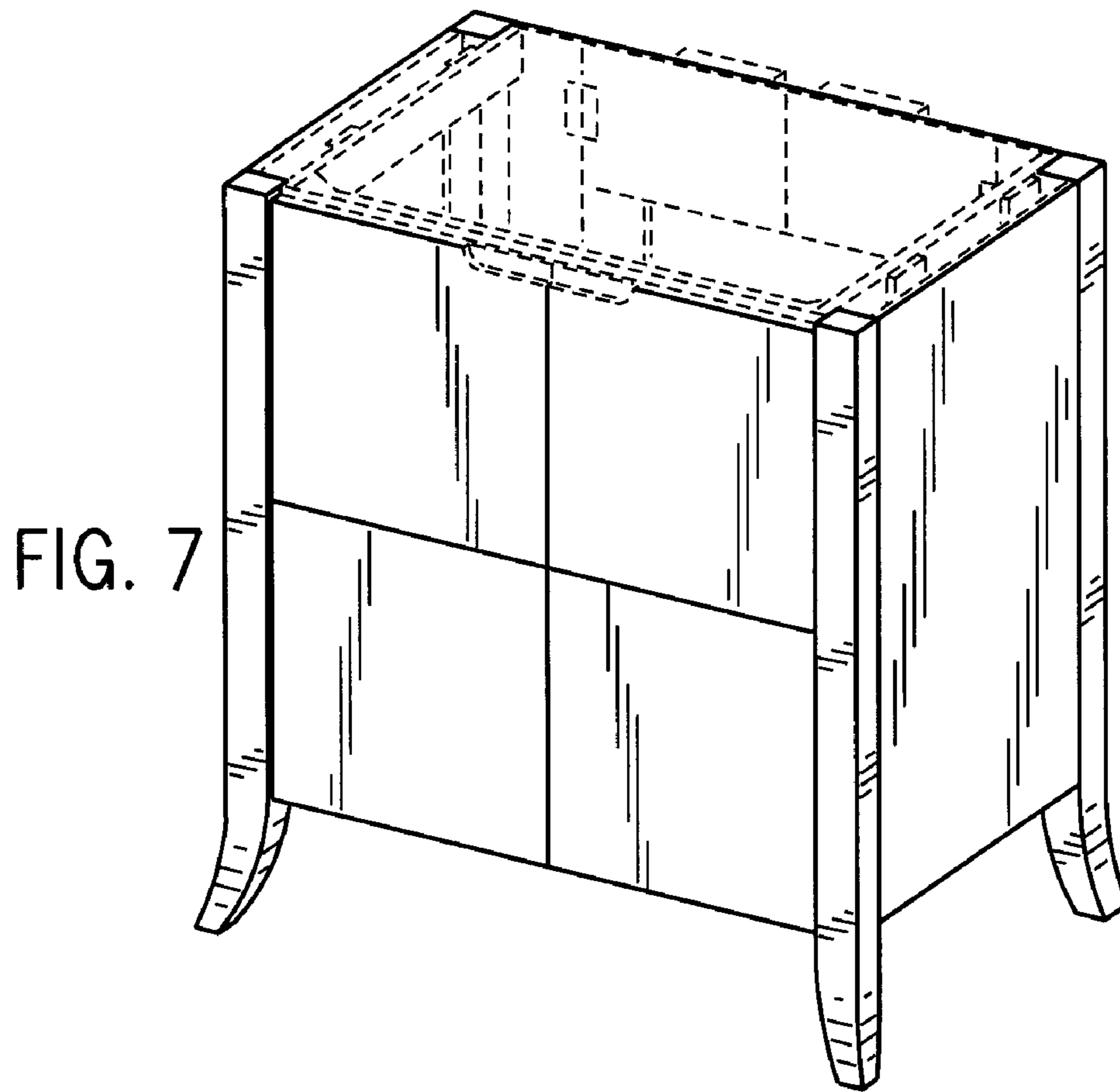


FIG. 8

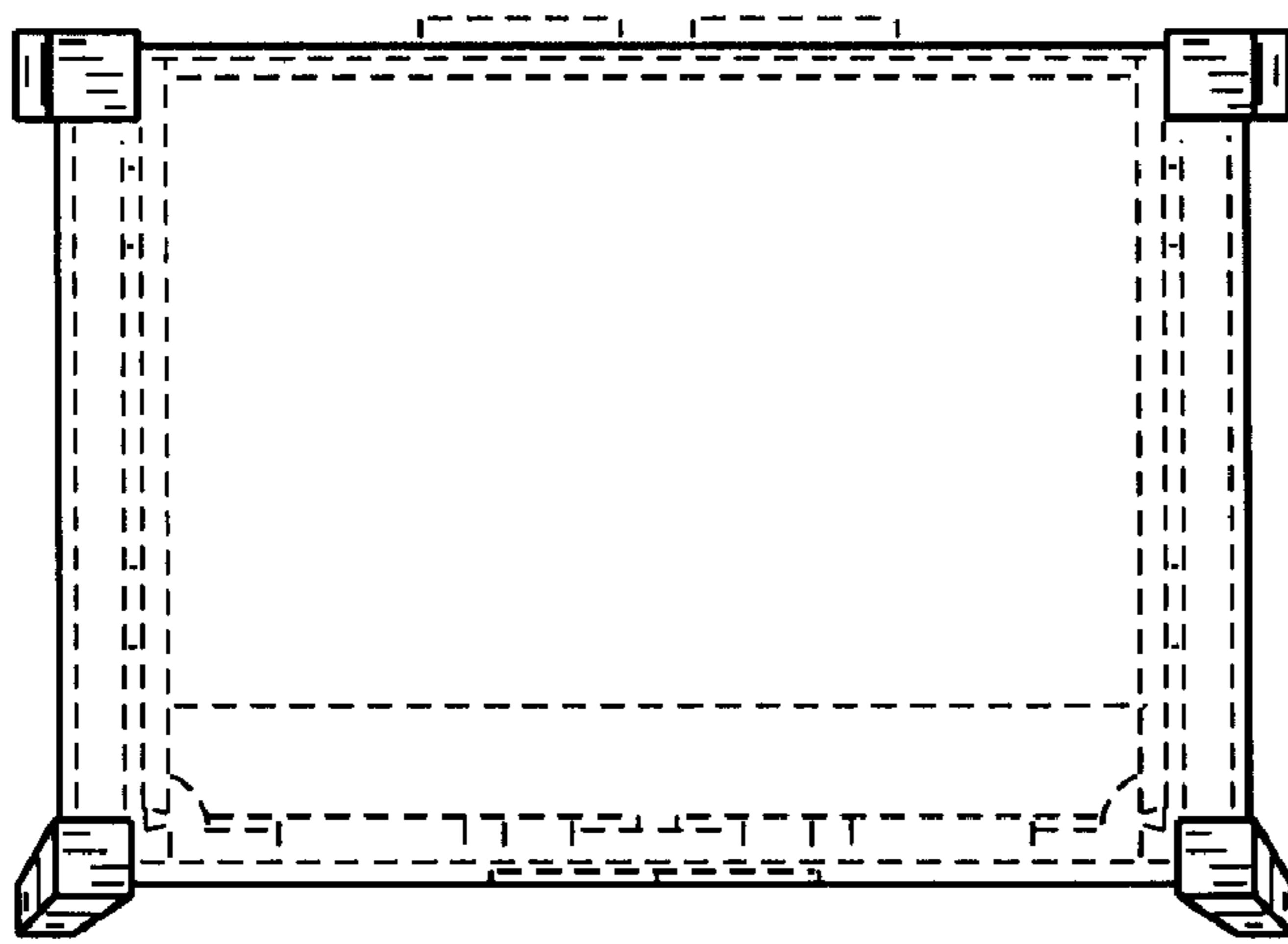


FIG. 9

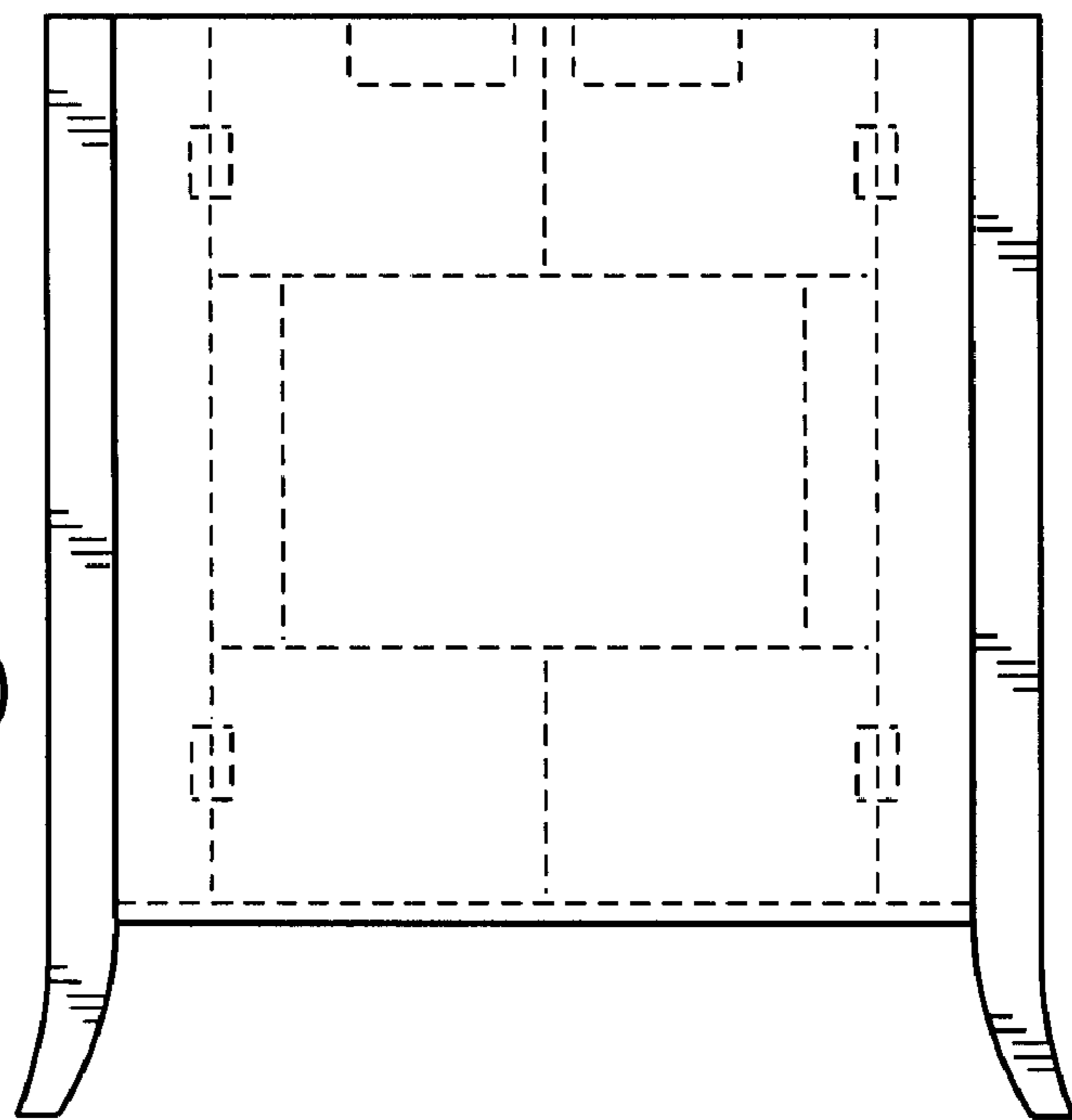


FIG. 10

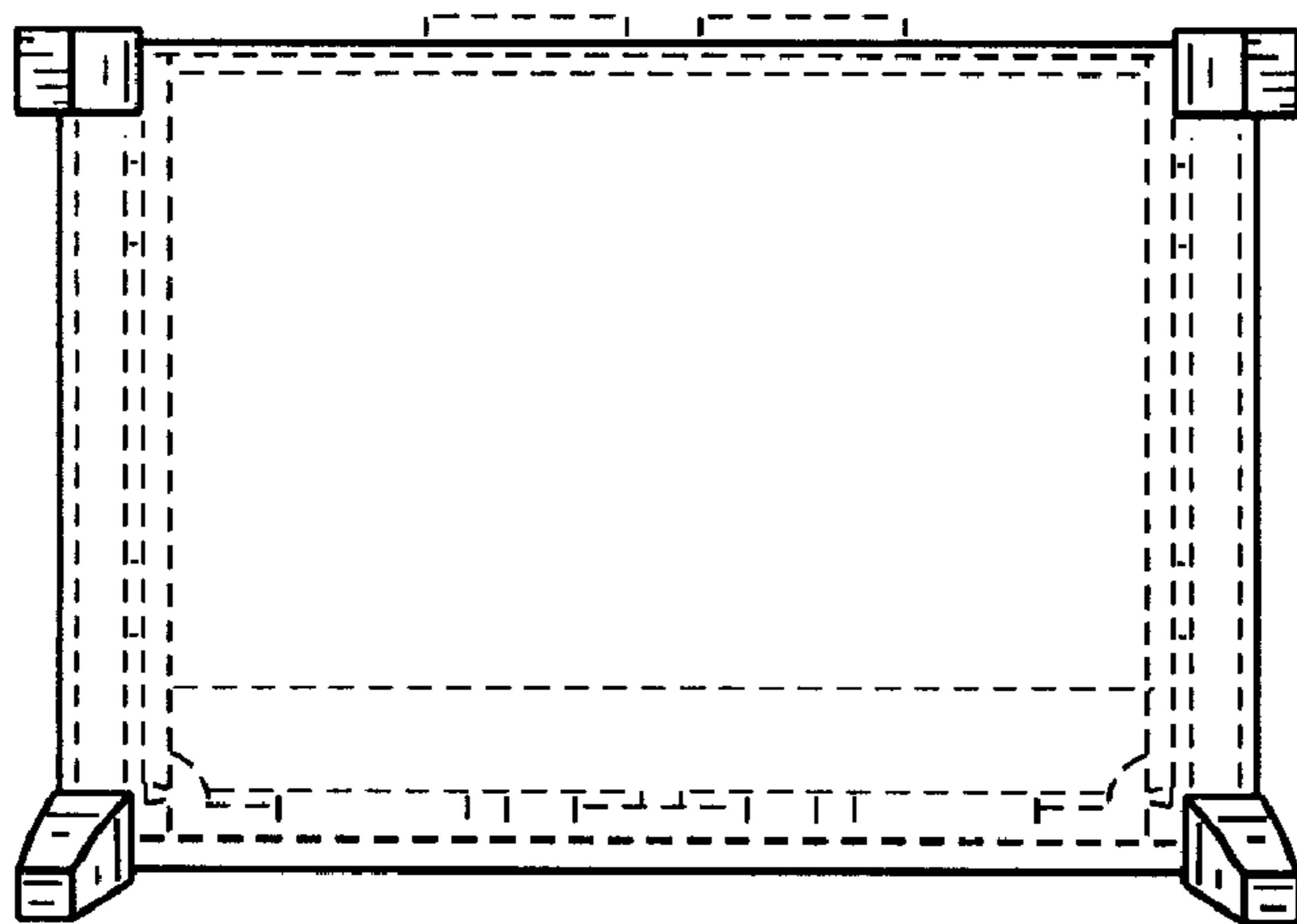


FIG. 11

FIG. 12

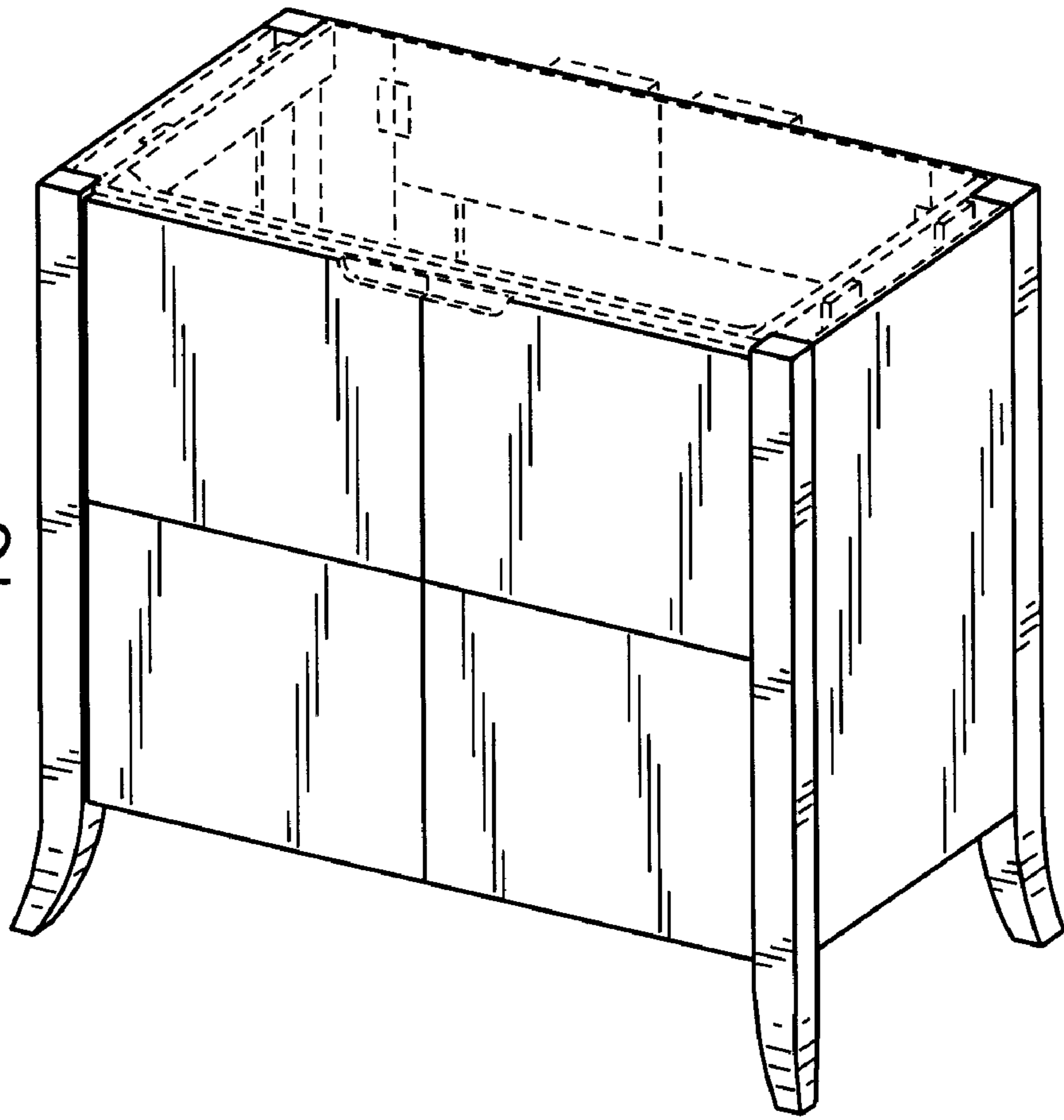
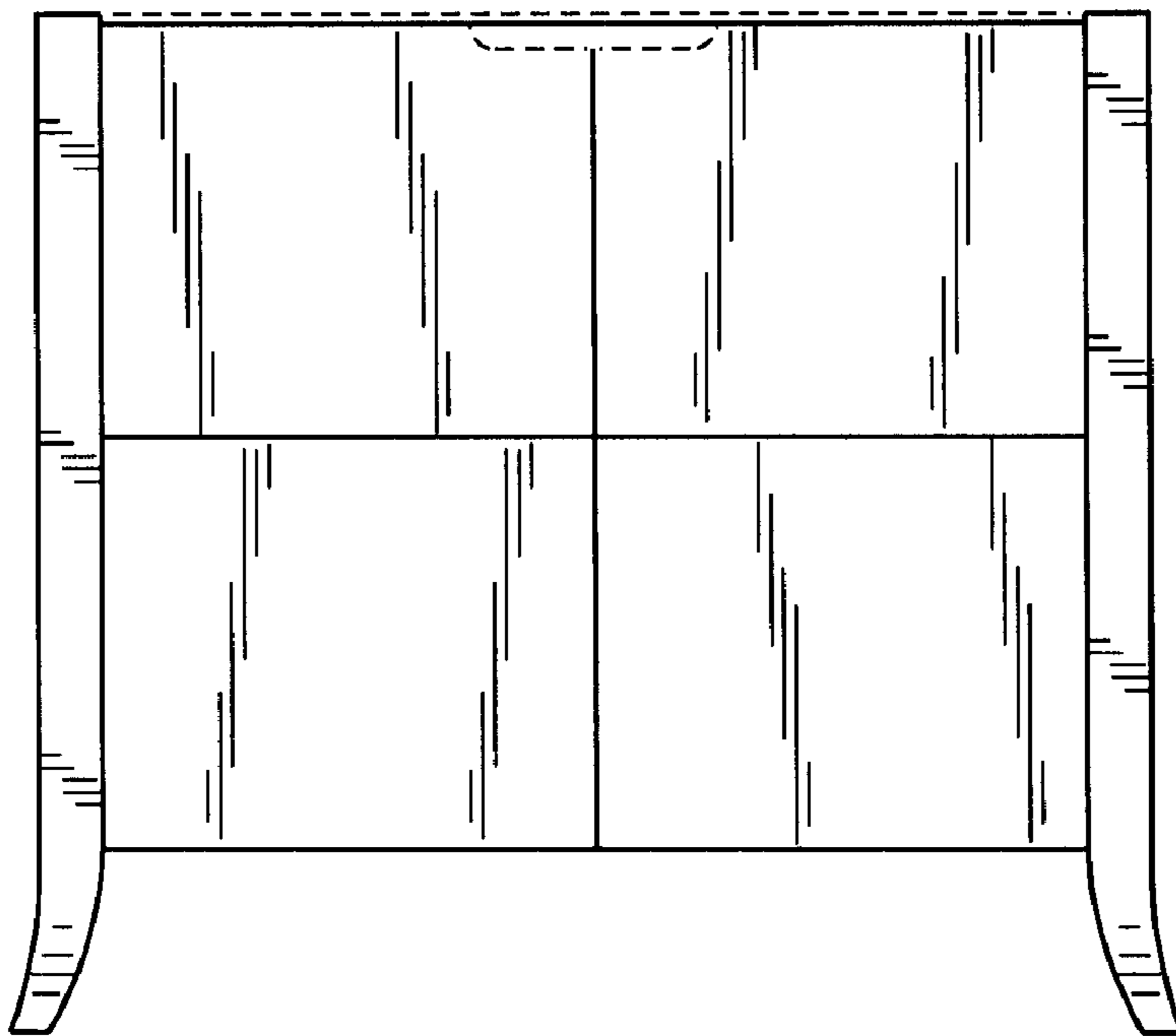


FIG. 13



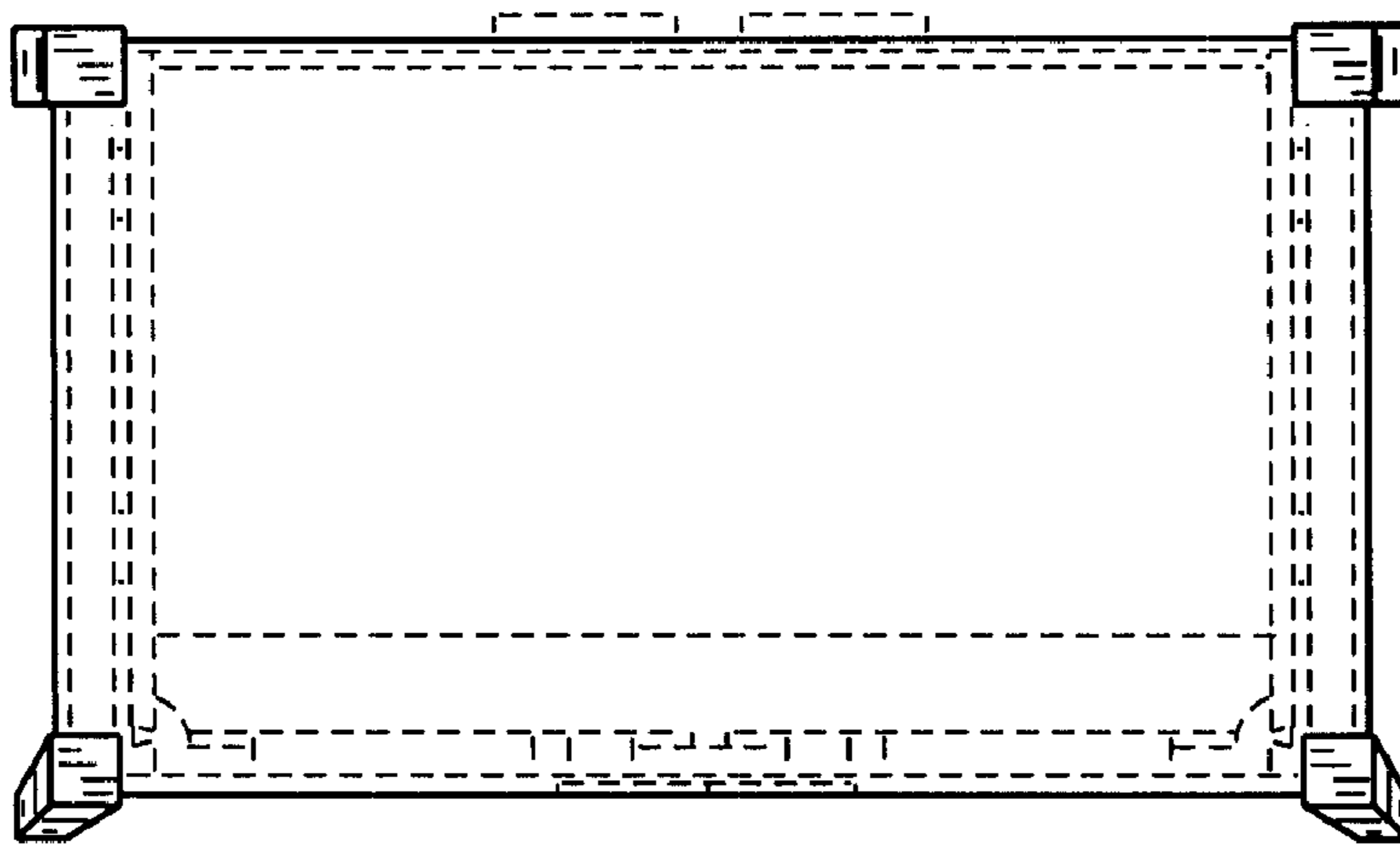


FIG. 14

FIG. 15

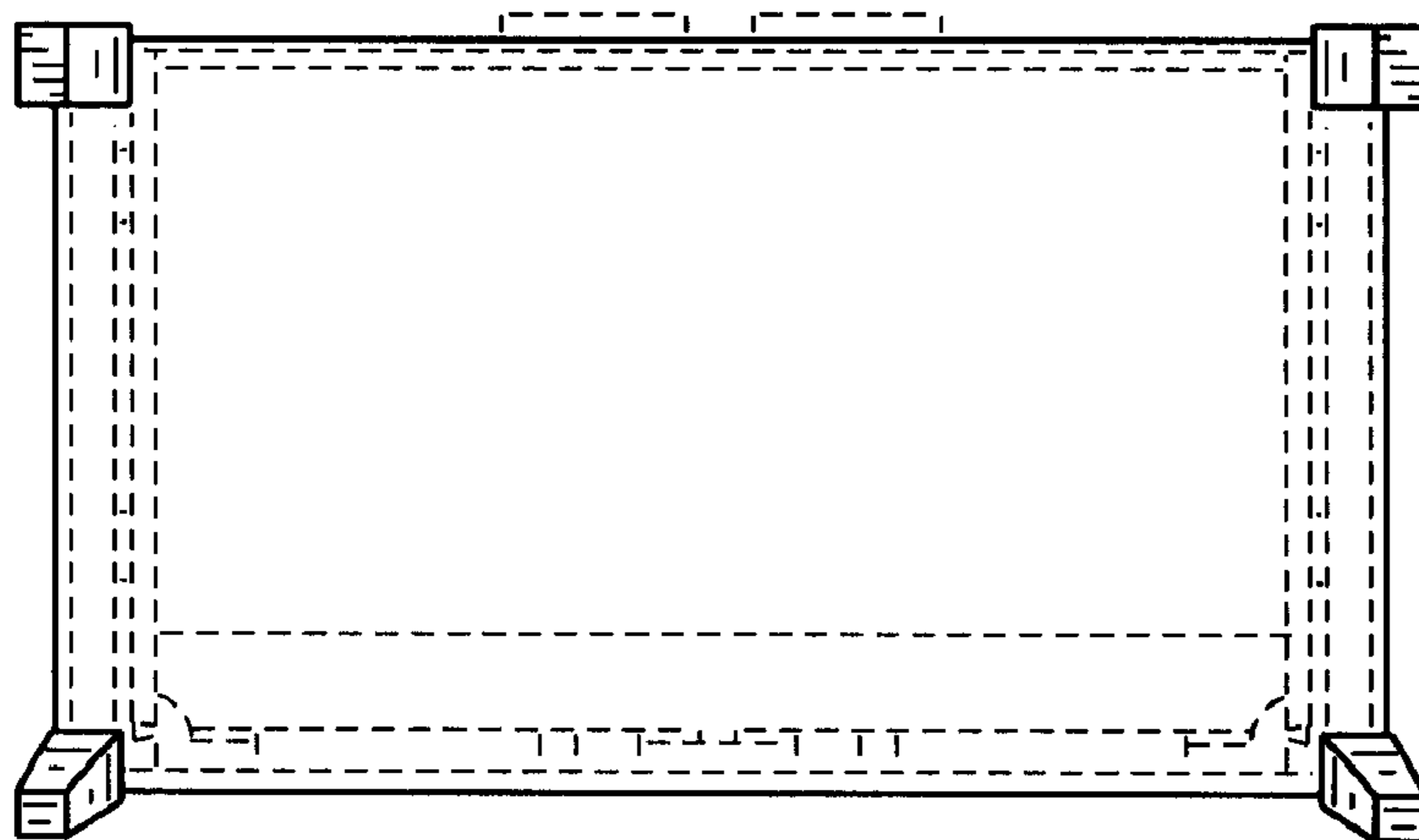
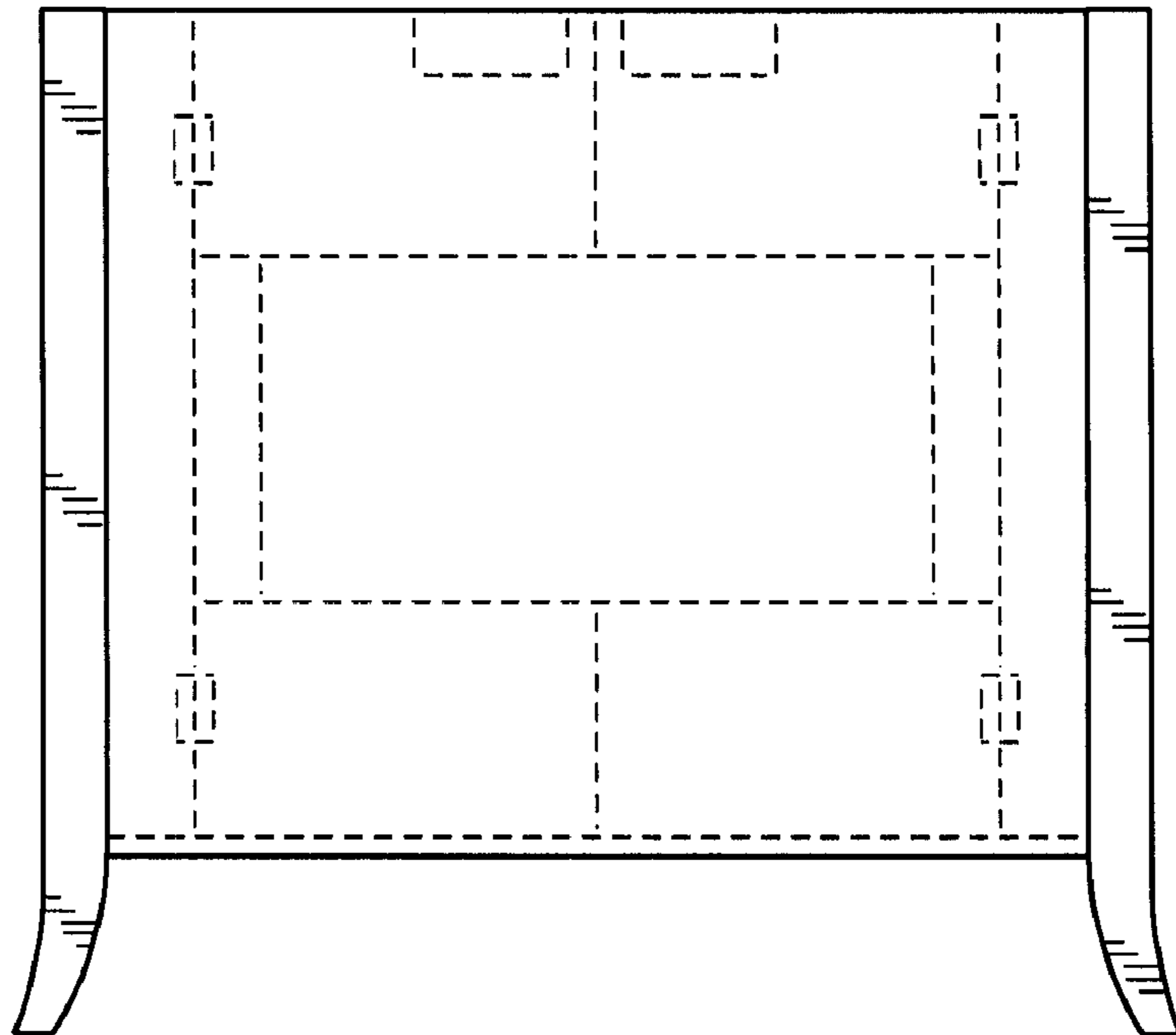


FIG. 16

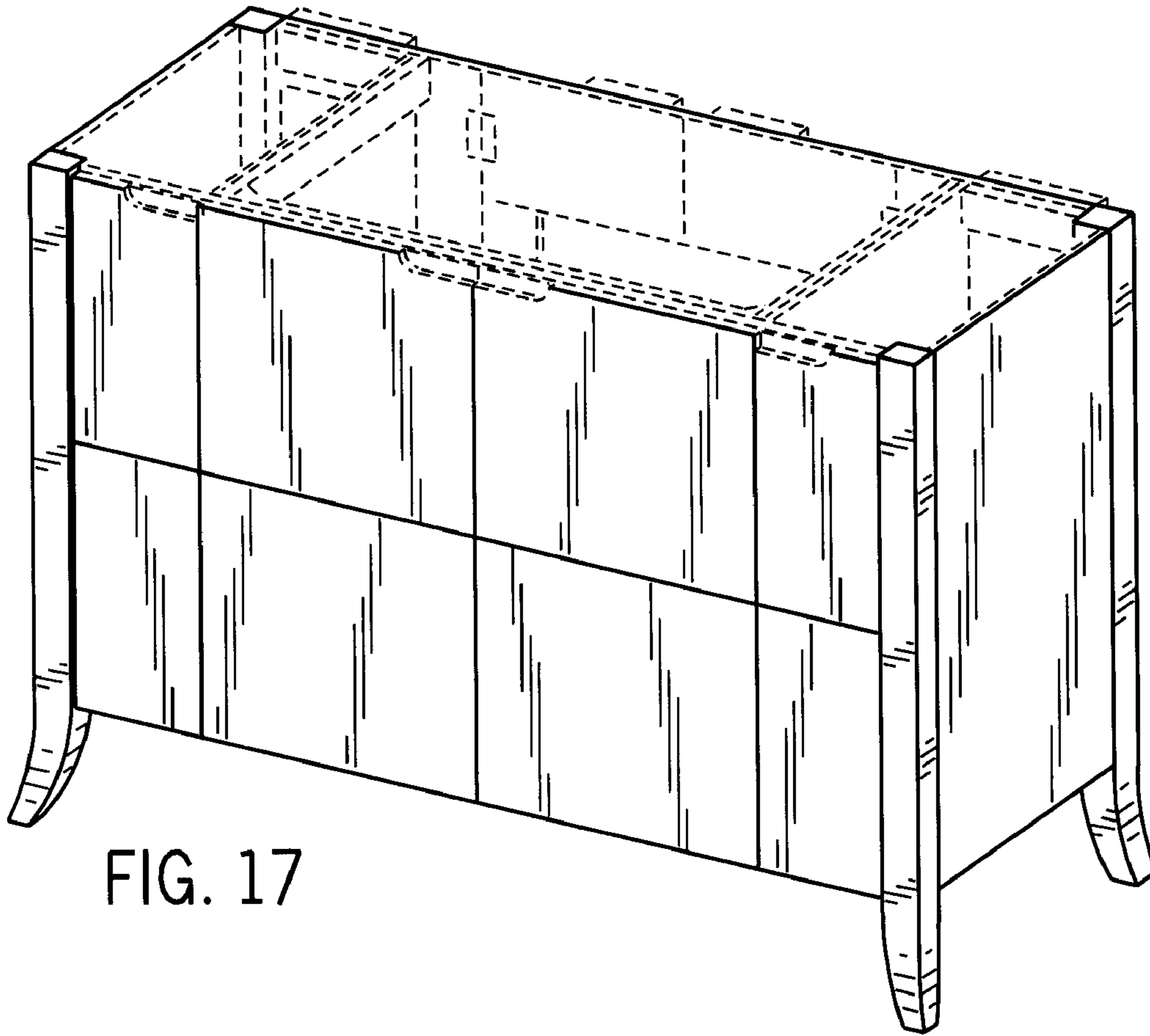


FIG. 17

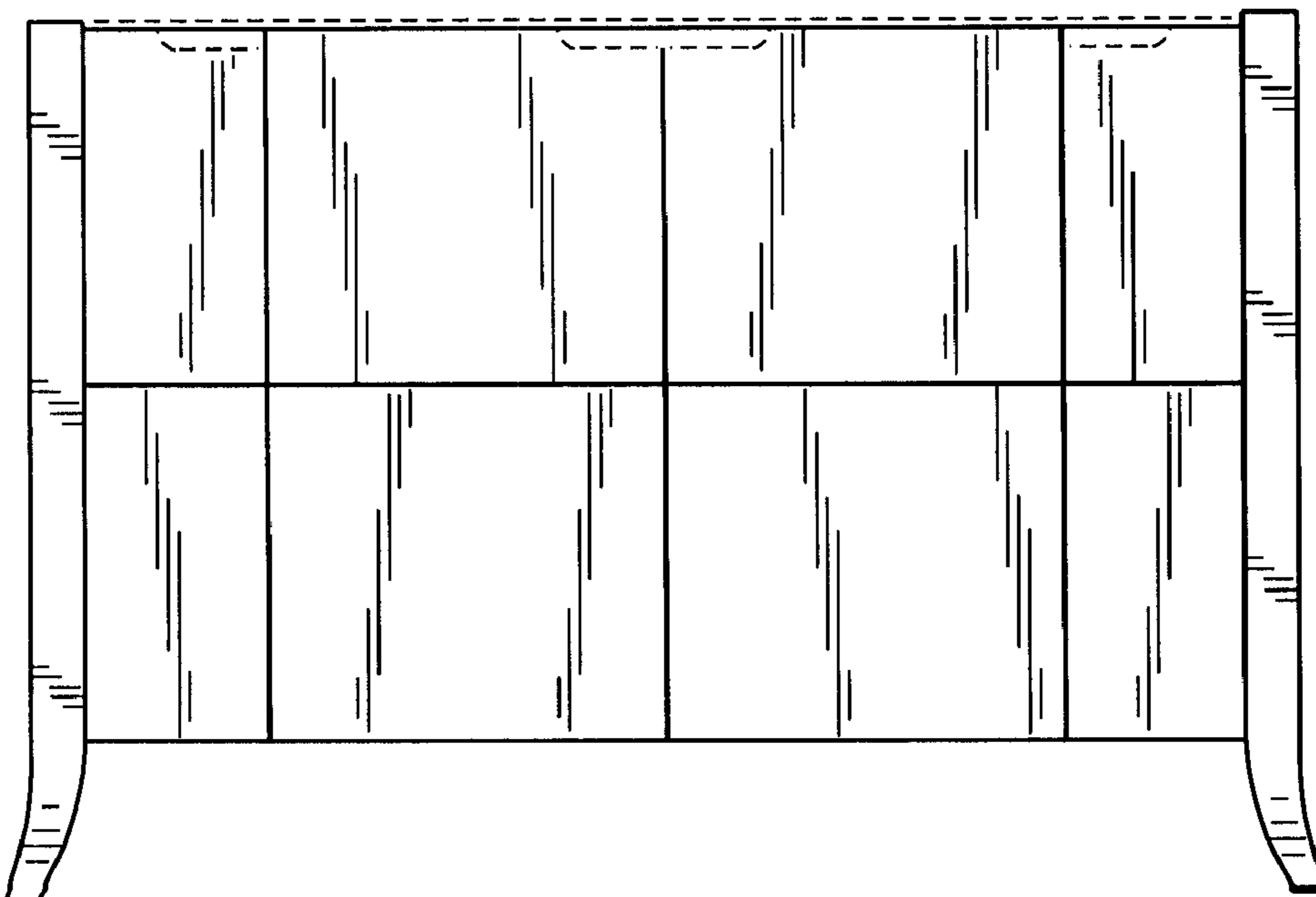


FIG. 18

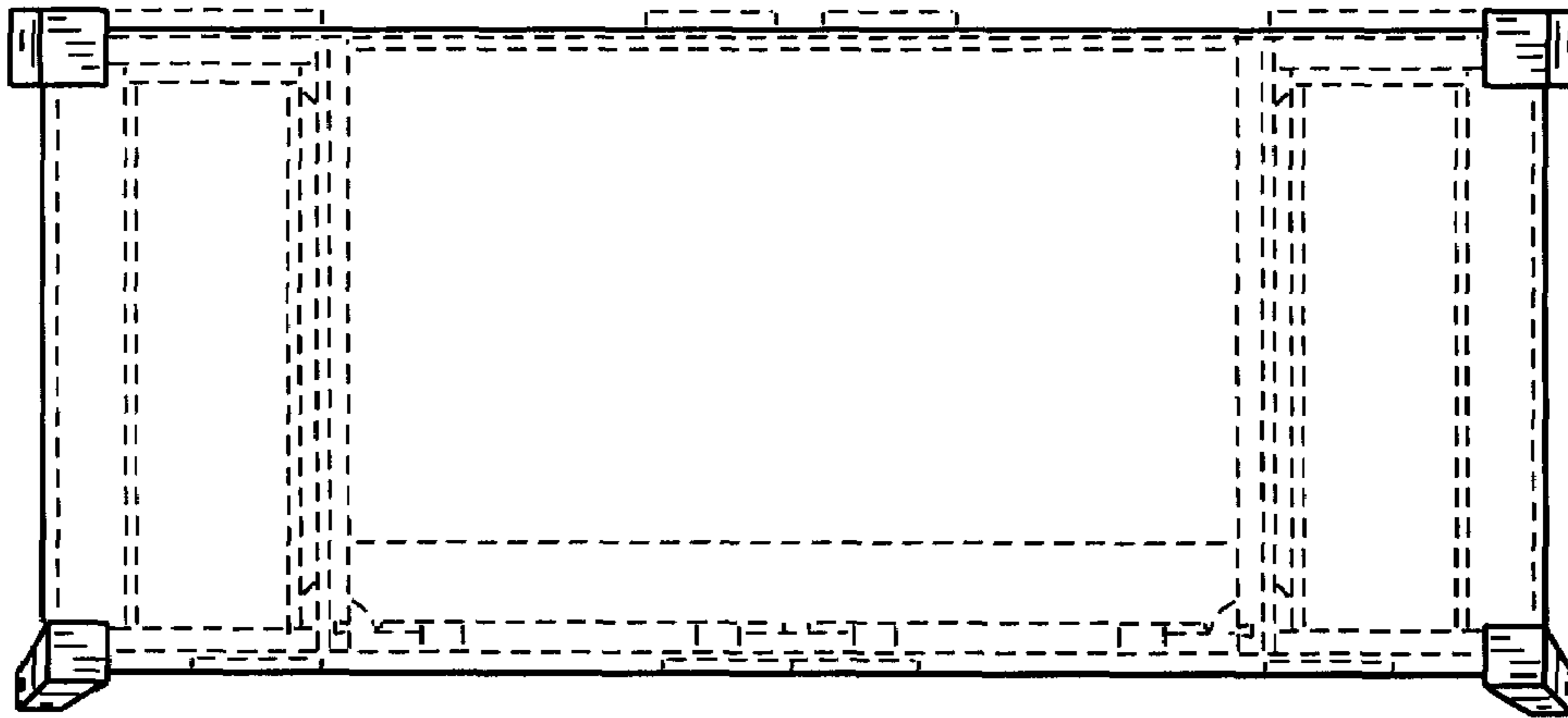


FIG. 19

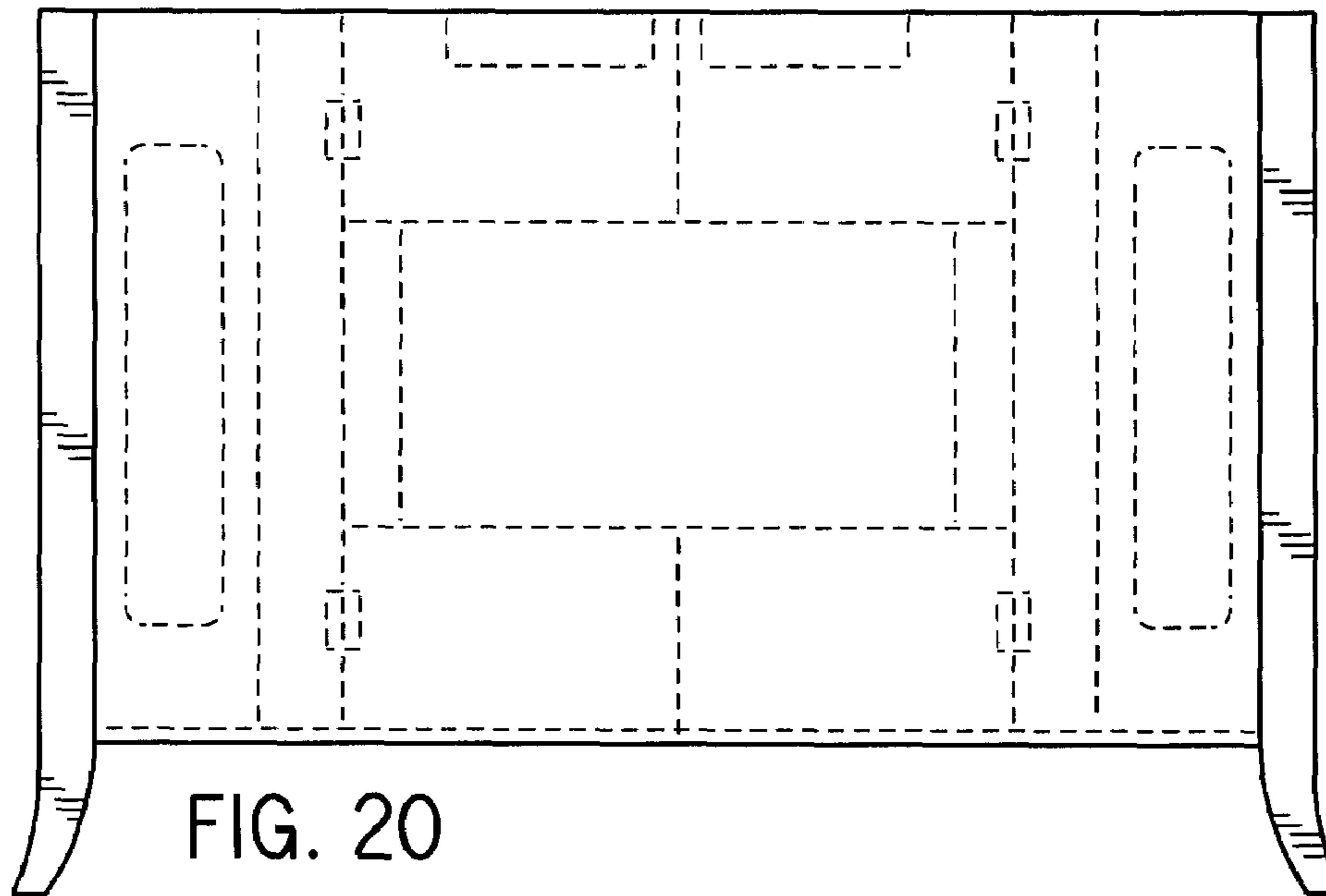


FIG. 20

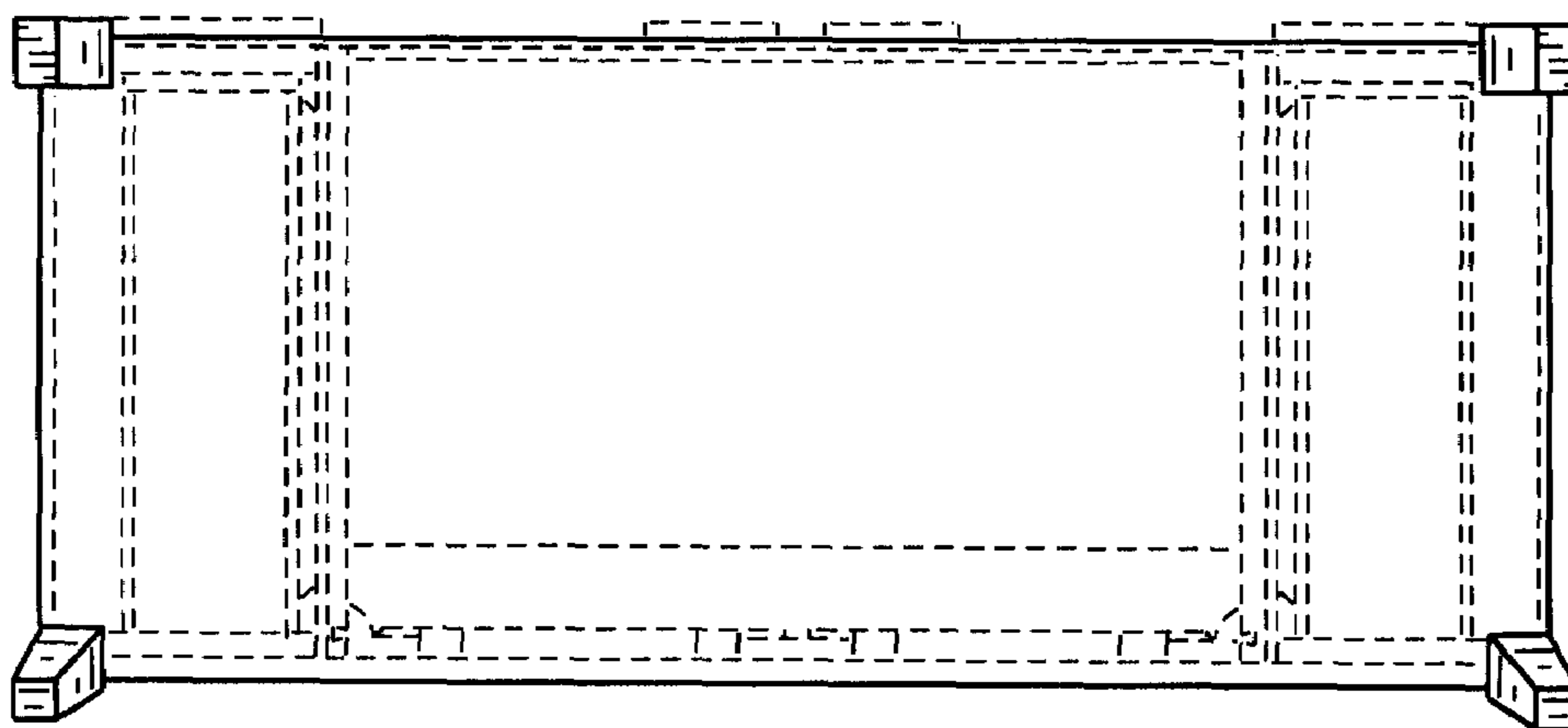


FIG. 21