



US00D588831S

(12) **United States Design Patent**
Mohundro

(10) **Patent No.:** **US D588,831 S**

(45) **Date of Patent:** **** *Mar. 24, 2009**

(54) **SOFA TABLE**

(75) Inventor: **James Glenn Mohundro**, Taichung (TW)

(73) Assignee: **Pacific Marketing International (H.K.), Ltd.**, Taichung (TW)

(*) Notice: This patent is subject to a terminal disclaimer.

(**) Term: **14 Years**

(21) Appl. No.: **29/302,579**

(22) Filed: **Jan. 18, 2008**

(51) **LOC (9) Cl.** **06-03**

(52) **U.S. Cl.** **D6/425; D6/436; D6/480**

(58) **Field of Classification Search** D6/480-489, D6/495-499, 429-431, 511, 419, 420, 422-426, D6/477, 479, 492; 108/150, 153.1, 156, 108/157.1, 161, 93-97, 106, 40, 145, 144.11, 108/147.18; 248/188, 188.1, 188.8; 312/205, 312/241

See application file for complete search history.

(56) **References Cited**

U.S. PATENT DOCUMENTS

D303,464 S * 9/1989 Holl D6/426

D362,566 S * 9/1995 Abraham et al. D6/426
D462,850 S * 9/2002 Cain D6/436
D464,503 S * 10/2002 Novikoff D6/426
D535,116 S * 1/2007 Maitland-Smith D6/425
D536,551 S * 2/2007 Domack et al. D6/425
D546,503 S * 7/2007 Kreiss D6/422

* cited by examiner

Primary Examiner—Janice E Seeger

(74) *Attorney, Agent, or Firm*—Egbert Law Offices PLLC

(57) **CLAIM**

The ornamental design for a sofa table, as shown and described.

DESCRIPTION

FIG. 1 is an upper perspective view of the sofa table showing my design.

FIG. 2 is a front view thereof;

FIG. 3 is a back view thereof;

FIG. 4 is a side view thereof;

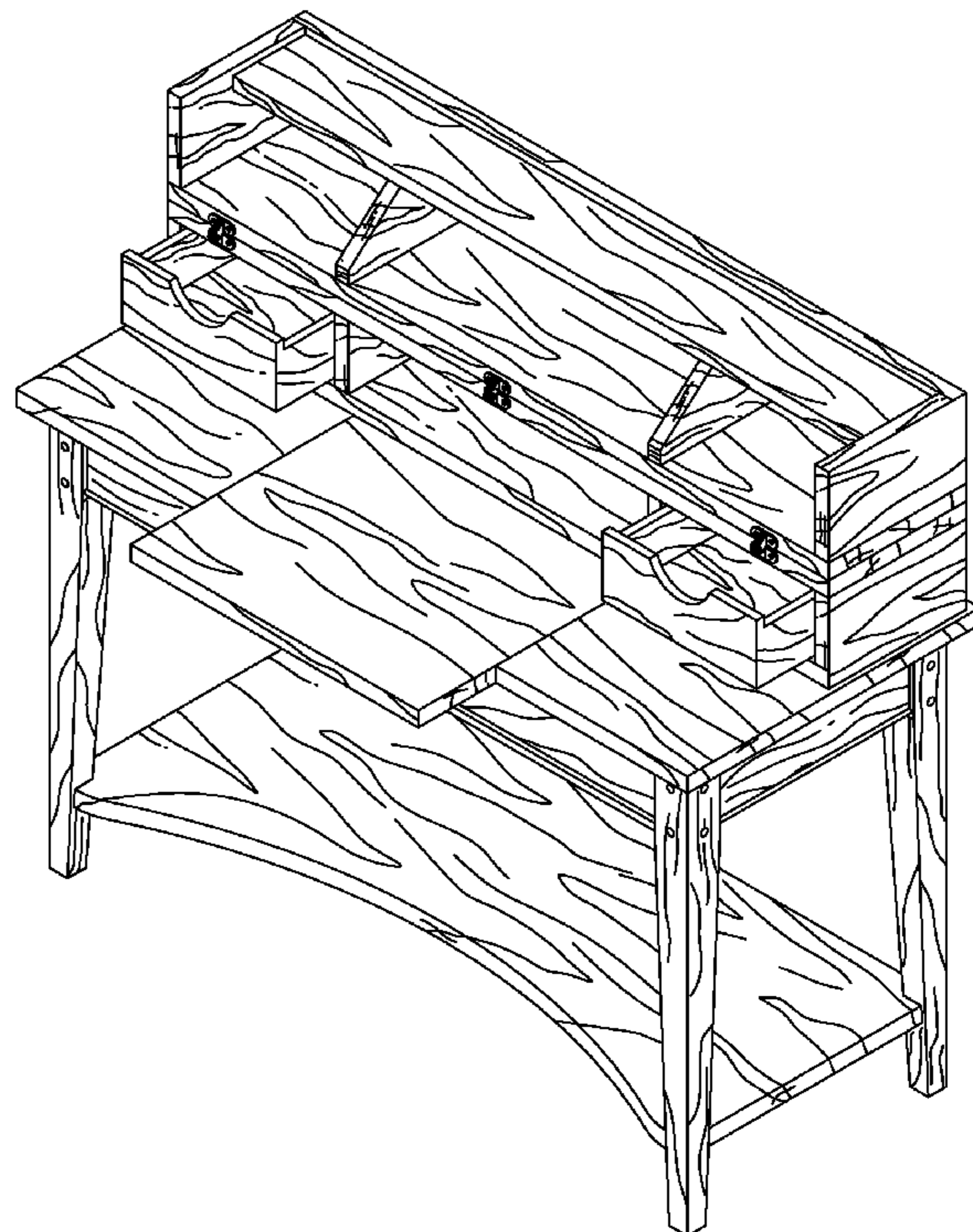
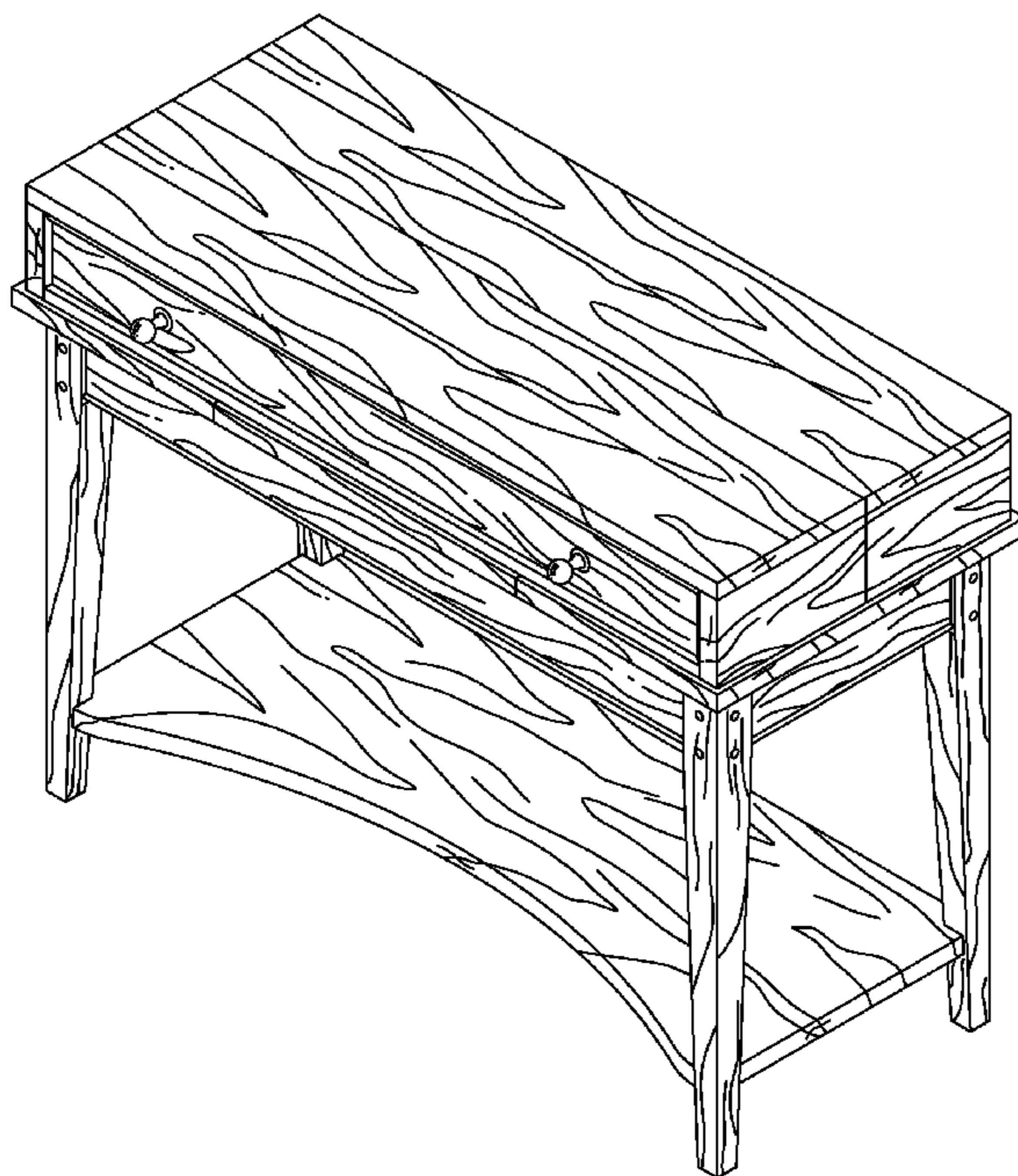
FIG. 5 is an opposite side view thereof;

FIG. 6 is top view thereof; and,

FIG. 7 is another perspective view, showing an open position.

The bottom of the table forms no part of the claimed design.

1 Claim, 5 Drawing Sheets



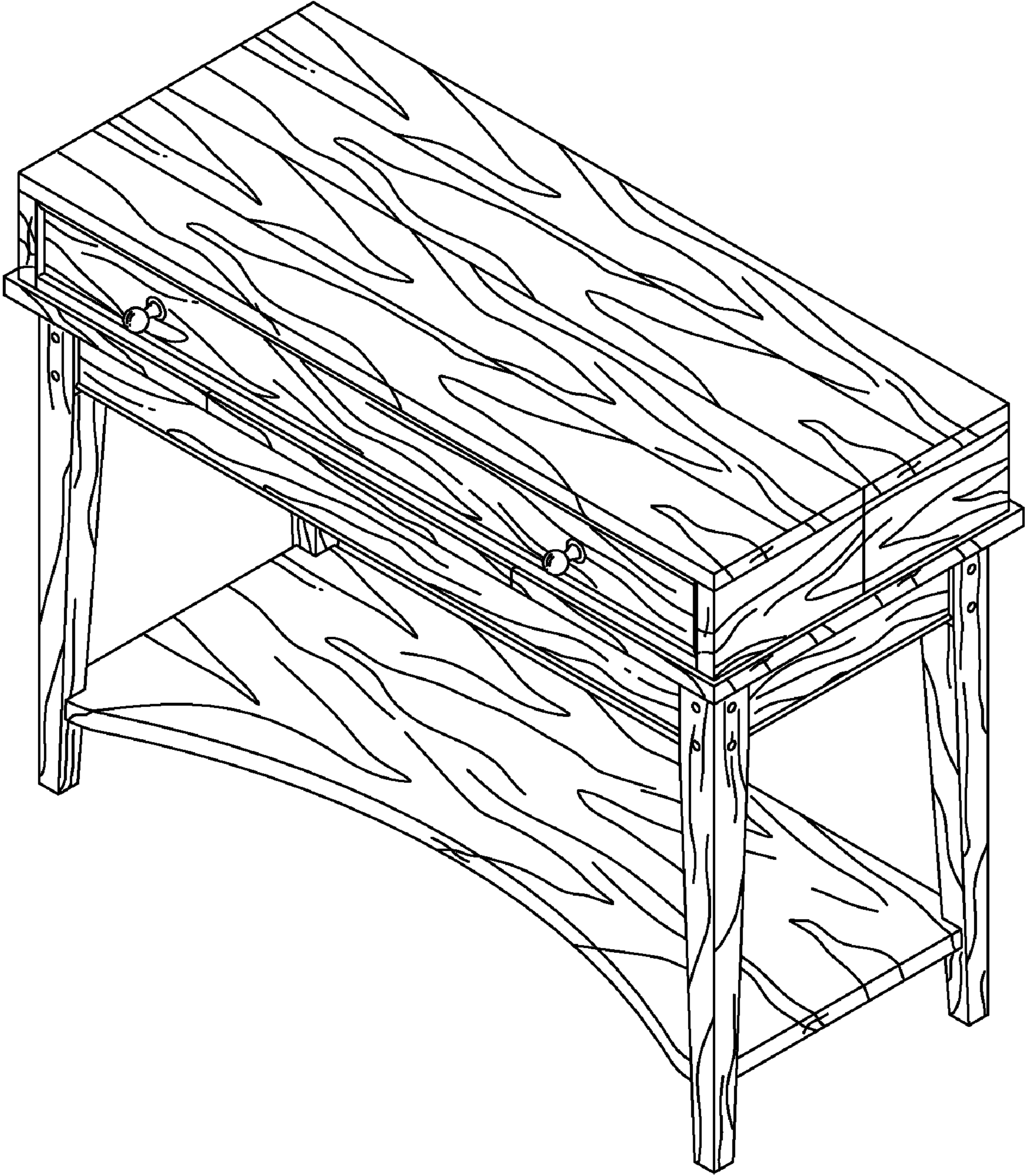


FIG.1

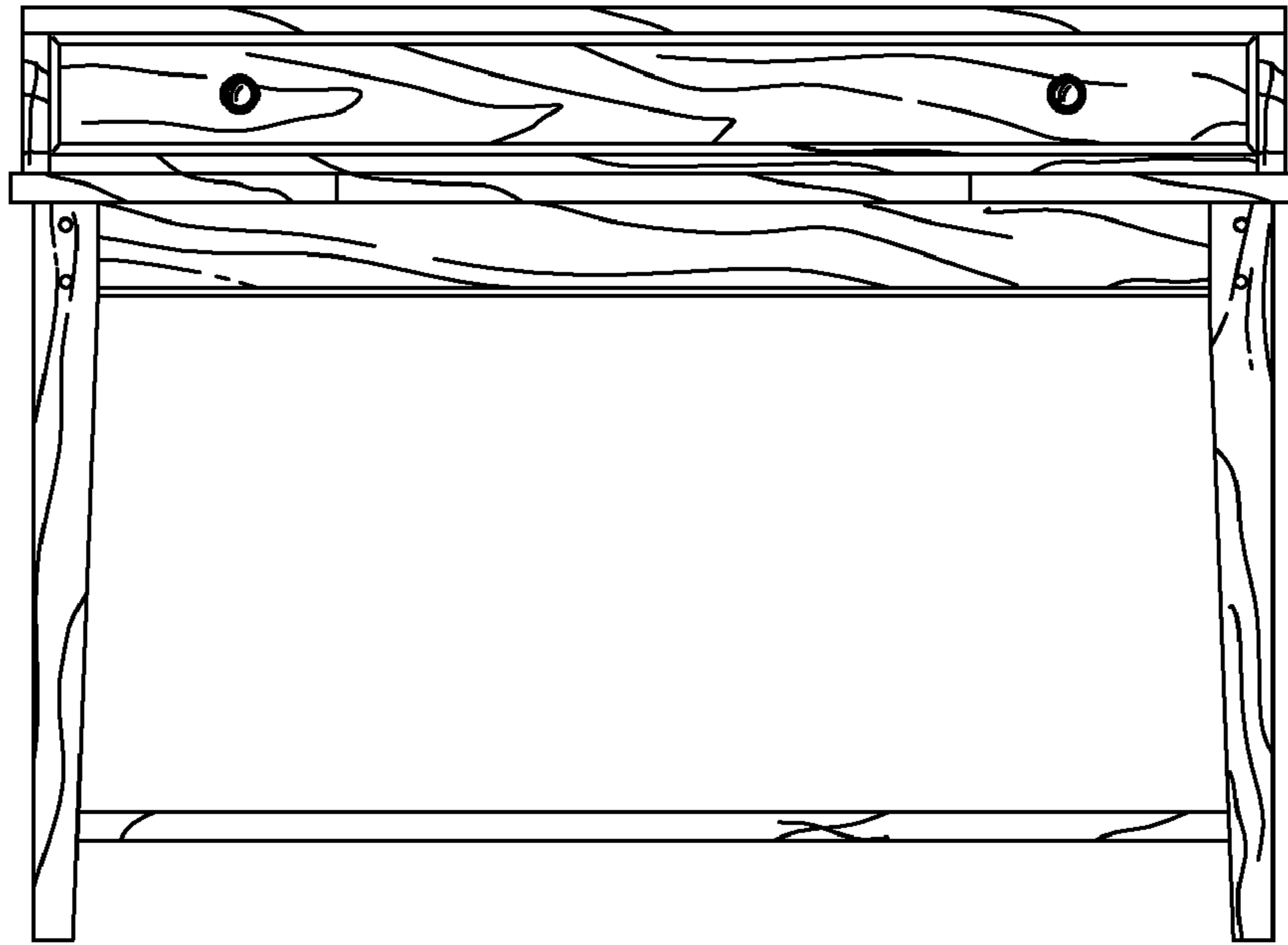


FIG. 2

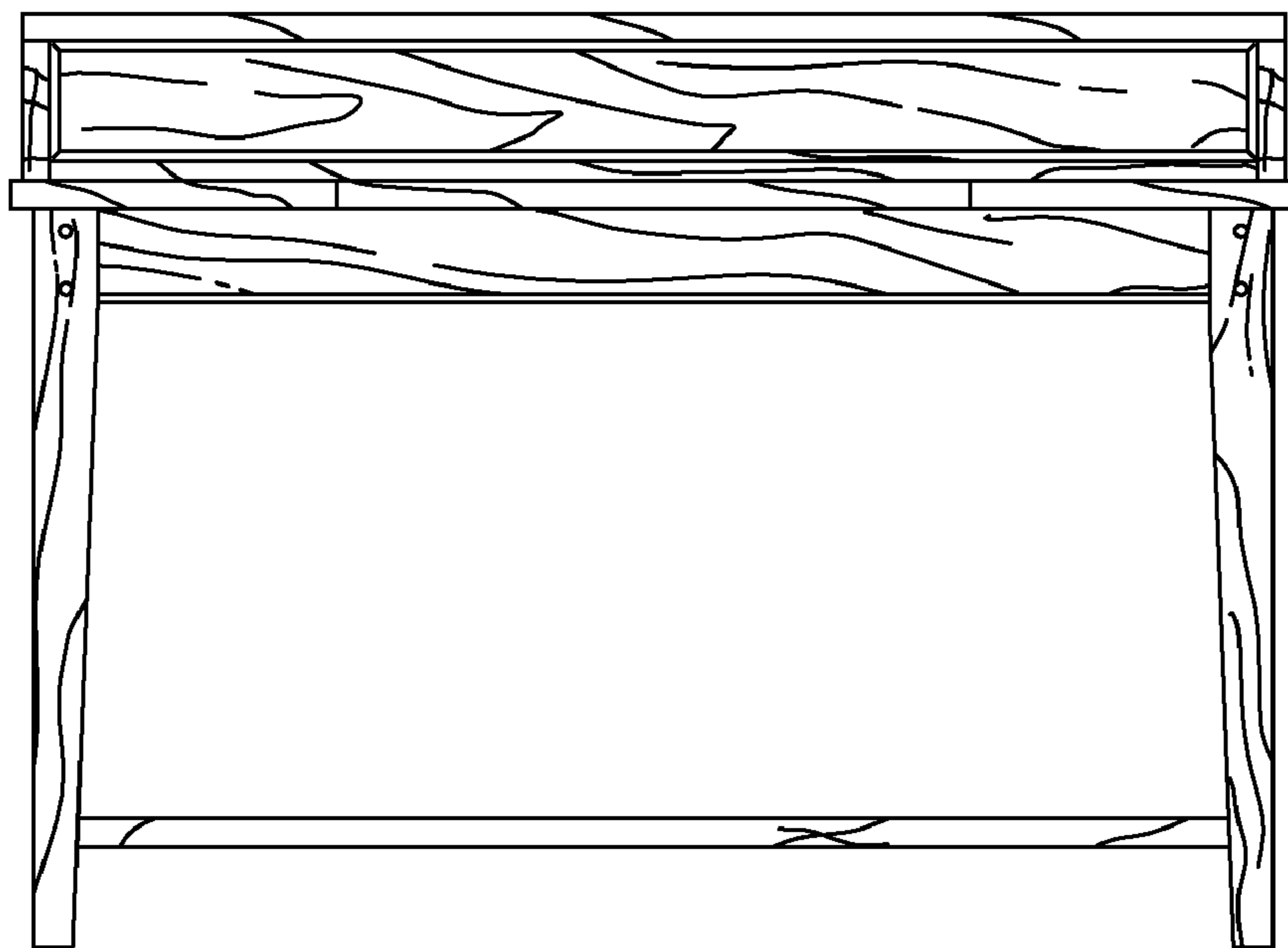


FIG. 3

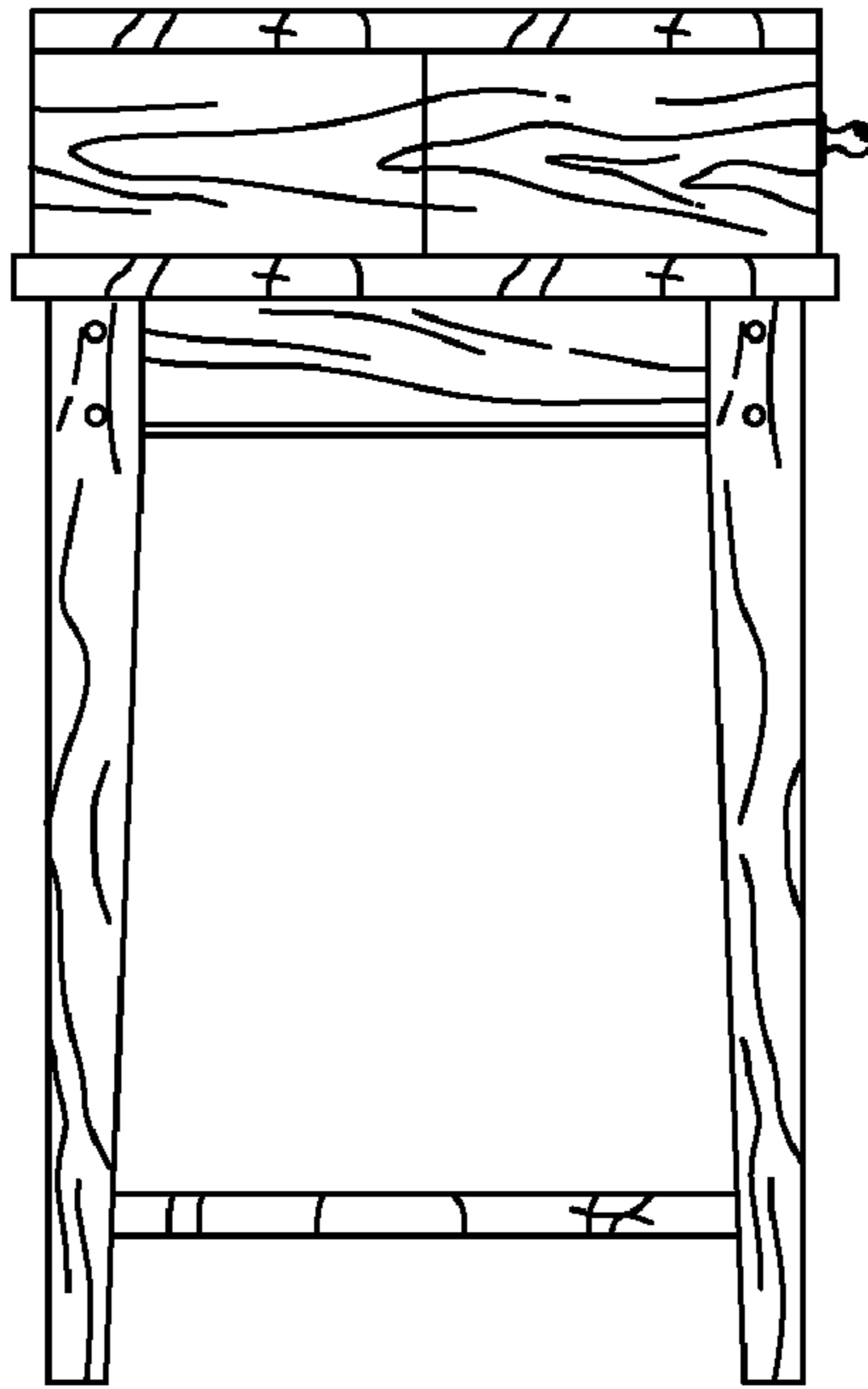


FIG. 4

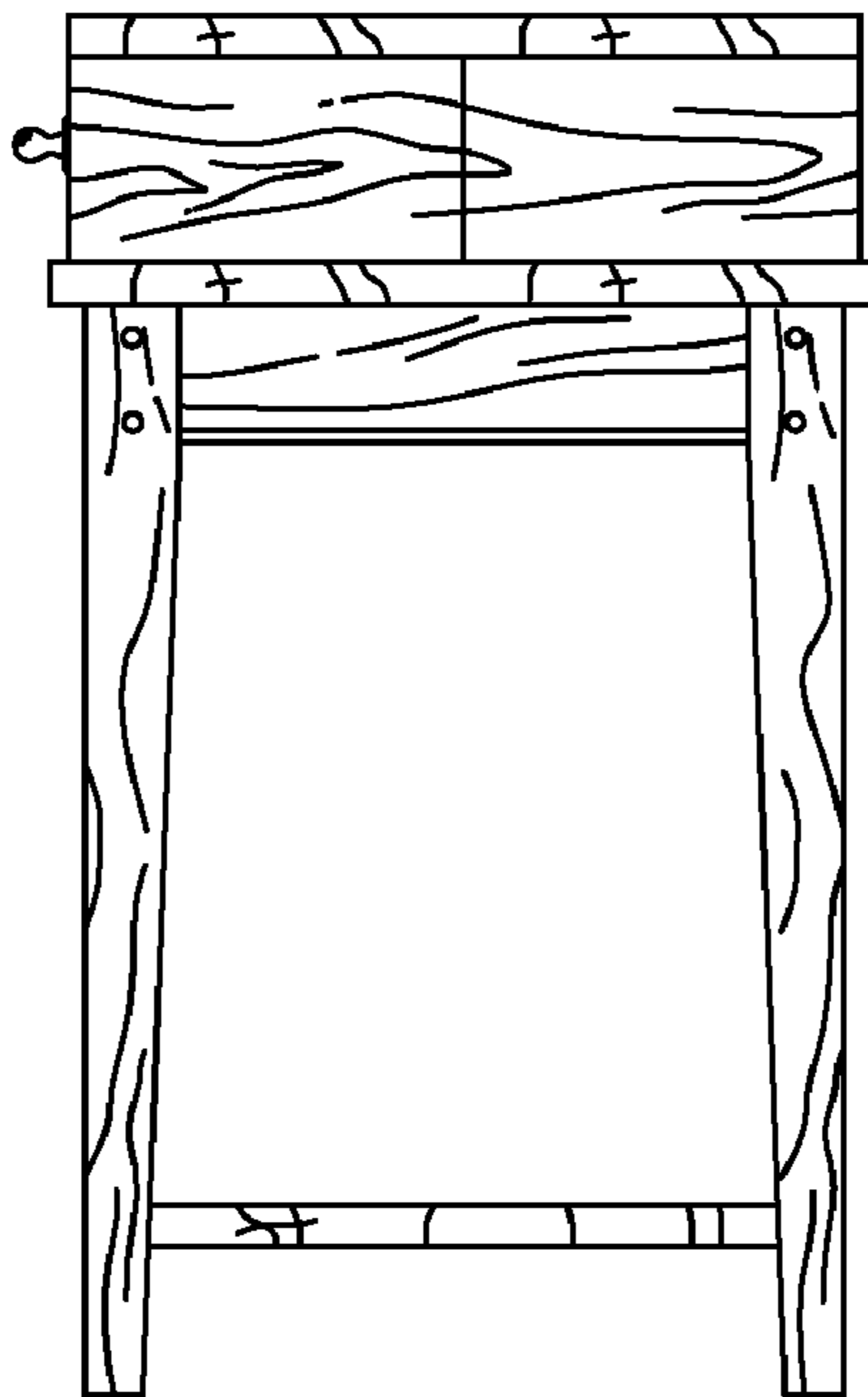


FIG. 5

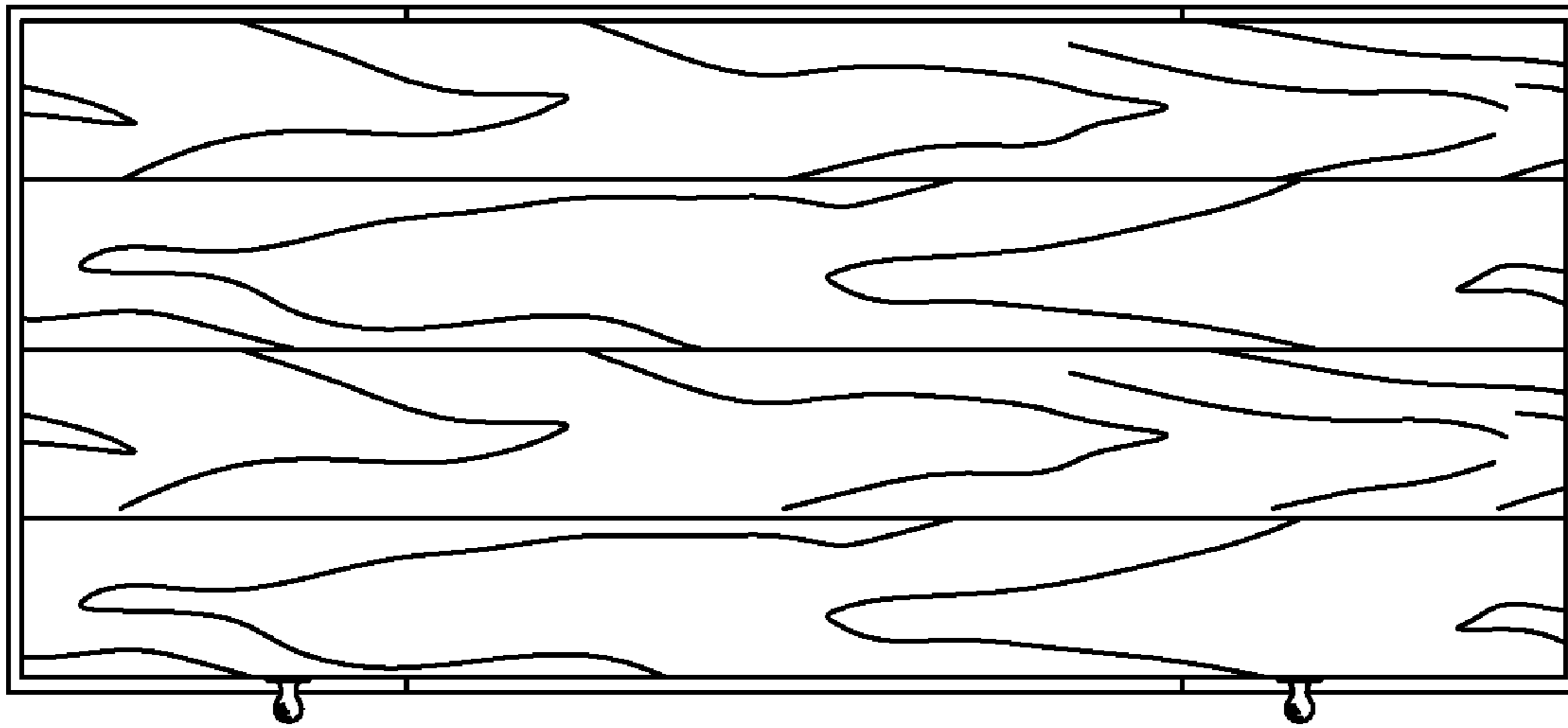


FIG.6

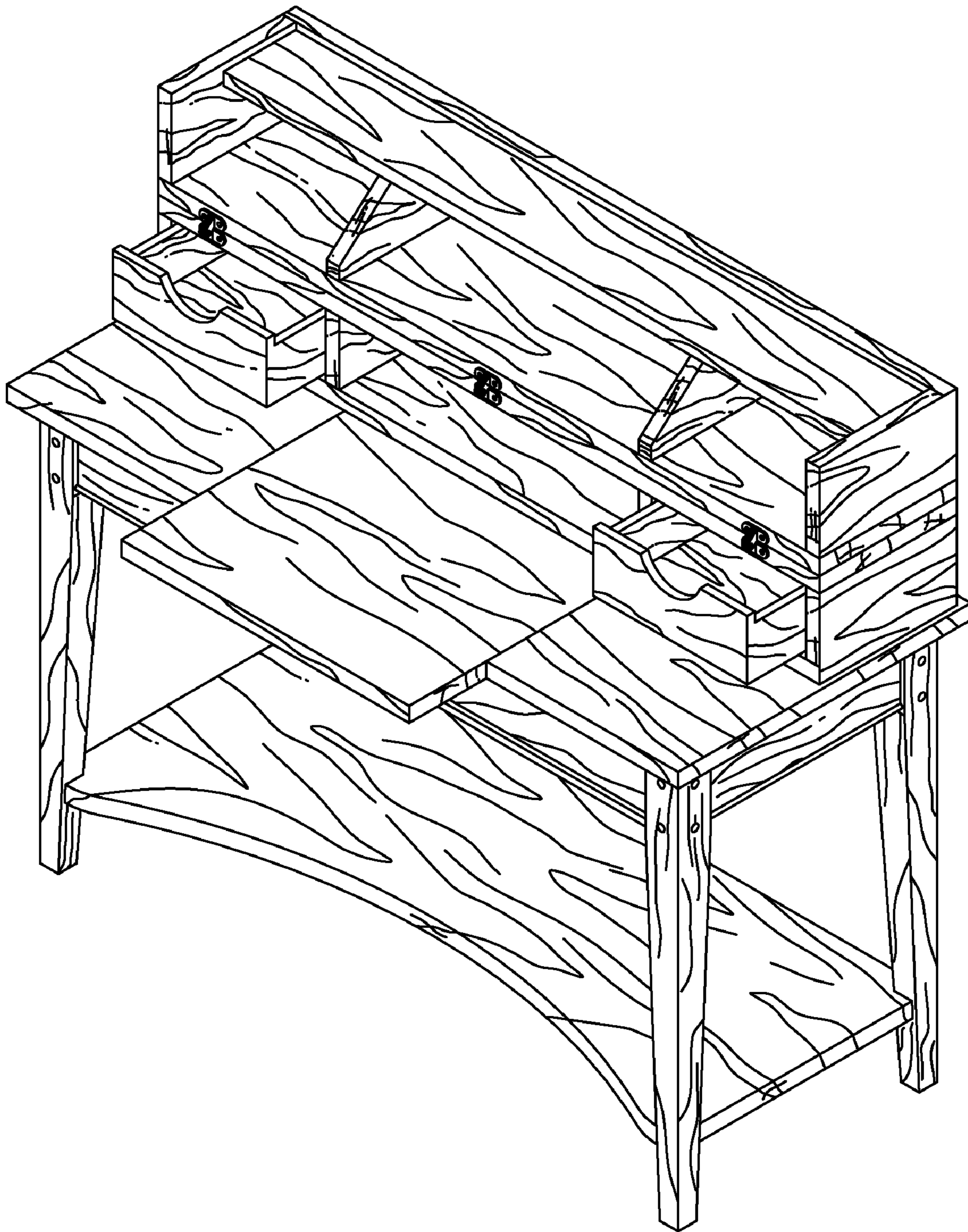


FIG. 7