



US00D588829S

(12) **United States Design Patent**
Rheault et al.

(10) **Patent No.:** **US D588,829 S**
(45) **Date of Patent:** **** Mar. 24, 2009**

(54) **OVERBED TABLE**

3,188,986 A 6/1965 LaVigne
3,380,405 A 4/1968 Barecki et al.

(75) Inventors: **Alan E. Rheault**, Grand Rapids, MI
(US); **Matthew Heinig**, Beaverton, OR
(US); **James Houda**, Byron Center, MI
(US); **David Dekker**, Holland, MI (US)

(Continued)

FOREIGN PATENT DOCUMENTS

(73) Assignee: **Steelcase Development Corporation**,
Grand Rapids, MI (US)

WO 2004/098351 A1 11/2004

(**) Term: **14 Years**

(21) Appl. No.: **29/280,568**

Primary Examiner—Charles A. Rademaker
Assistant Examiner—Charles D Hanson
(74) *Attorney, Agent, or Firm*—Quarles & Brady, LLP

(22) Filed: **May 31, 2007**

(51) **LOC (9) Cl.** **06-06**

(57) **CLAIM**

(52) **U.S. Cl.** **D6/406.1**

The ornamental design for an overbed table, as shown and described.

(58) **Field of Classification Search** D6/406.1–406.6,
D6/429, 426, 440, 451, 489, 510, 511; D7/552.1,
D7/552.2, 554.1, 554.4, 550.1, 554.2, 554.3,
D7/566; 211/133.1, 85.31, 126.8, 126, 16,
211/133.5; 108/43, 157.1, 157.13; 434/432;
D14/458; D12/425

DESCRIPTION

See application file for complete search history.

In a preferred embodiment, the nature of this product is an overbed table of the type cantilevered over a patient support, such as a hospital bed, and configured to support materials used by the patient.

(56) **References Cited**

U.S. PATENT DOCUMENTS

- 1,472,570 A 10/1923 Snider
- D132,427 S 5/1942 Hillenbrand
- D135,340 S 3/1943 Hillenbrand
- D135,341 S 3/1943 Hillenbrand
- D135,507 S 4/1943 Hillenbrand
- 2,346,919 A 4/1944 Hillenbrand
- 2,352,837 A 7/1944 Hillenbrand
- 2,357,588 A 9/1944 Hillenbrand
- D149,793 S 6/1948 Burst
- 2,456,415 A 12/1948 Hillenbrand
- 2,628,147 A 2/1953 Berner
- 2,733,110 A 1/1956 Berner et al.
- 2,749,197 A 6/1956 Smith
- 2,795,473 A 6/1957 Smith
- 2,848,290 A 8/1958 Doty
- 3,089,743 A 5/1963 Heyl
- 3,094,949 A 6/1963 Oom

FIG. 1 is a front and top perspective view of an overbed table showing our new design;

FIG. 2 is a top plan view thereof;

FIG. 3 is a front elevation thereof;

FIG. 4 is a rear elevation thereof;

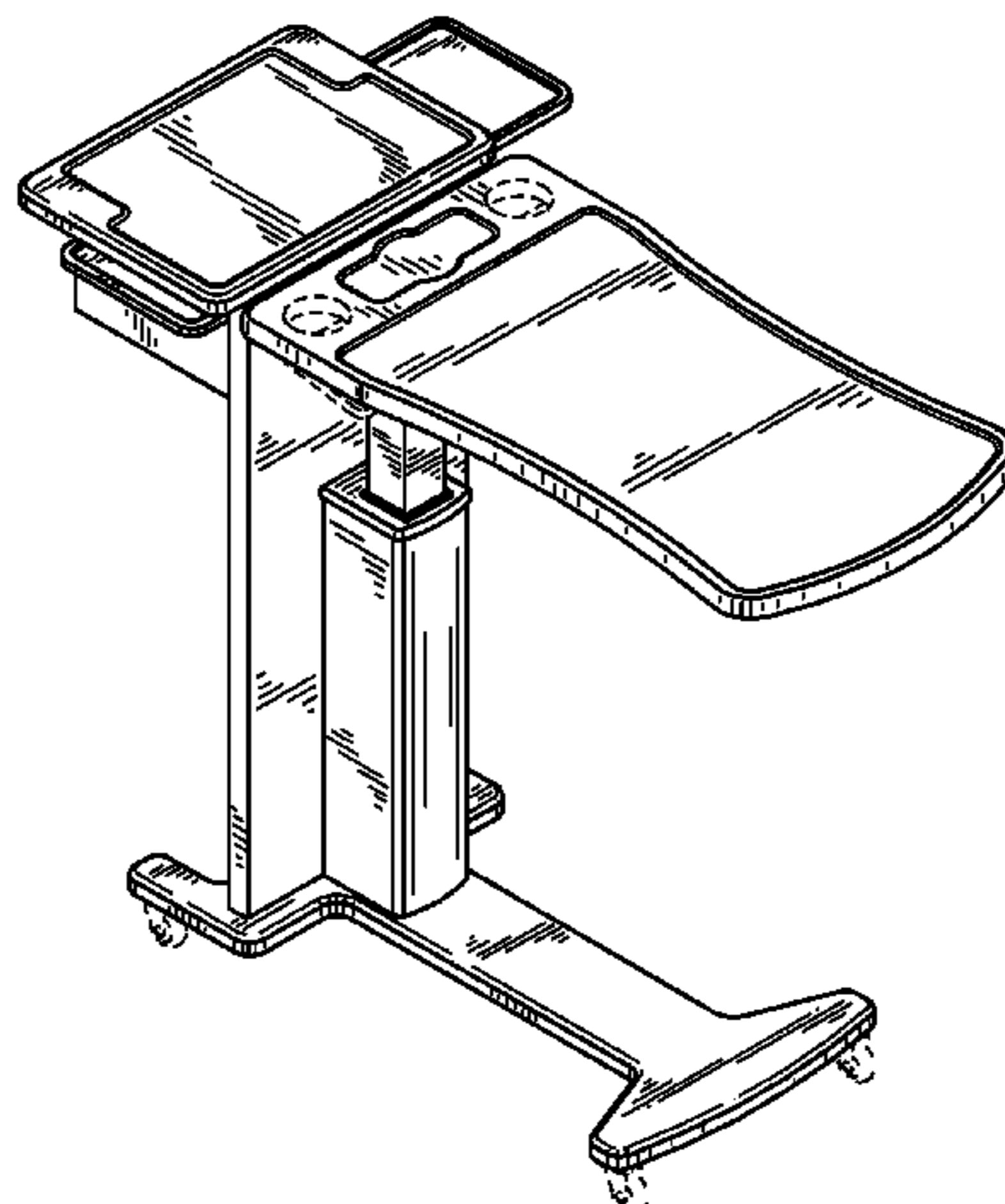
FIG. 5 is a right side elevation thereof;

FIG. 6 is a left side elevation; and,

FIG. 7 is a bottom plan view thereof.

The broken line representations of cup holders in FIGS. 1, 2, and 7, of wheels in FIGS. 1, 3–7, of table adjustment structure in FIGS. 1, 3–7, and the bottom of table support structure in FIG. 7 are for the purpose of illustration only, and form no part of the claimed design.

1 Claim, 4 Drawing Sheets



US D588,829 S

Page 2

U.S. PATENT DOCUMENTS									
3,504,643	A	4/1970	Burst et al.	D295,348	S *	4/1988	Muller	D6/406.2
3,715,995	A	2/1973	Thomas	4,922,836	A	5/1990	Damico		
3,715,997	A	2/1973	Barth	5,374,019	A *	12/1994	Fischer	248/125.7
3,854,428	A	12/1974	Fullenkamp	5,473,997	A	12/1995	Solomon et al.		
3,905,311	A	9/1975	Carpentier	5,551,105	A	9/1996	Short		
3,908,565	A	9/1975	Burnett	D375,641	S *	11/1996	Dhanapal et al.	D6/486
3,910,659	A	10/1975	Peterson	5,746,334	A *	5/1998	Brandenberg	211/205
3,963,288	A	6/1976	Burnett	5,775,234	A	7/1998	Solomon et al.		
4,077,333	A *	3/1978	Ballas	D418,997	S *	1/2000	Leveen et al.	D6/429
4,195,578	A	4/1980	Benoit et al.	6,062,148	A	5/2000	Hodge et al.		
4,287,835	A	9/1981	Stratton	6,224,026	B1 *	5/2001	Dubois	248/118.3
D261,837	S *	11/1981	Sonder et al.	6,240,856	B1 *	6/2001	Paskey et al.	108/146
4,401,036	A	8/1983	Russo et al.	6,269,753	B1	8/2001	Roddan		
D270,588	S	9/1983	Kemple	D467,754	S *	12/2002	Chen	D6/429
D270,787	S	10/1983	Umanoff et al.	6,543,369	B1	4/2003	Swensson et al.		
D270,788	S	10/1983	Umanoff et al.	6,615,744	B1	9/2003	Eckstein et al.		
4,601,246	A	7/1986	Damico	6,688,634	B2 *	2/2004	Noffsinger	280/651
4,607,577	A	8/1986	Leonardo	7,032,522	B2	4/2006	George et al.		
D292,956	S *	12/1987	Inoue et al.	2005/0132935	A1	6/2005	Lahmann et al.		
4,715,295	A	12/1987	Hartman et al.	2006/0180054	A1	8/2006	George et al.		

* cited by examiner

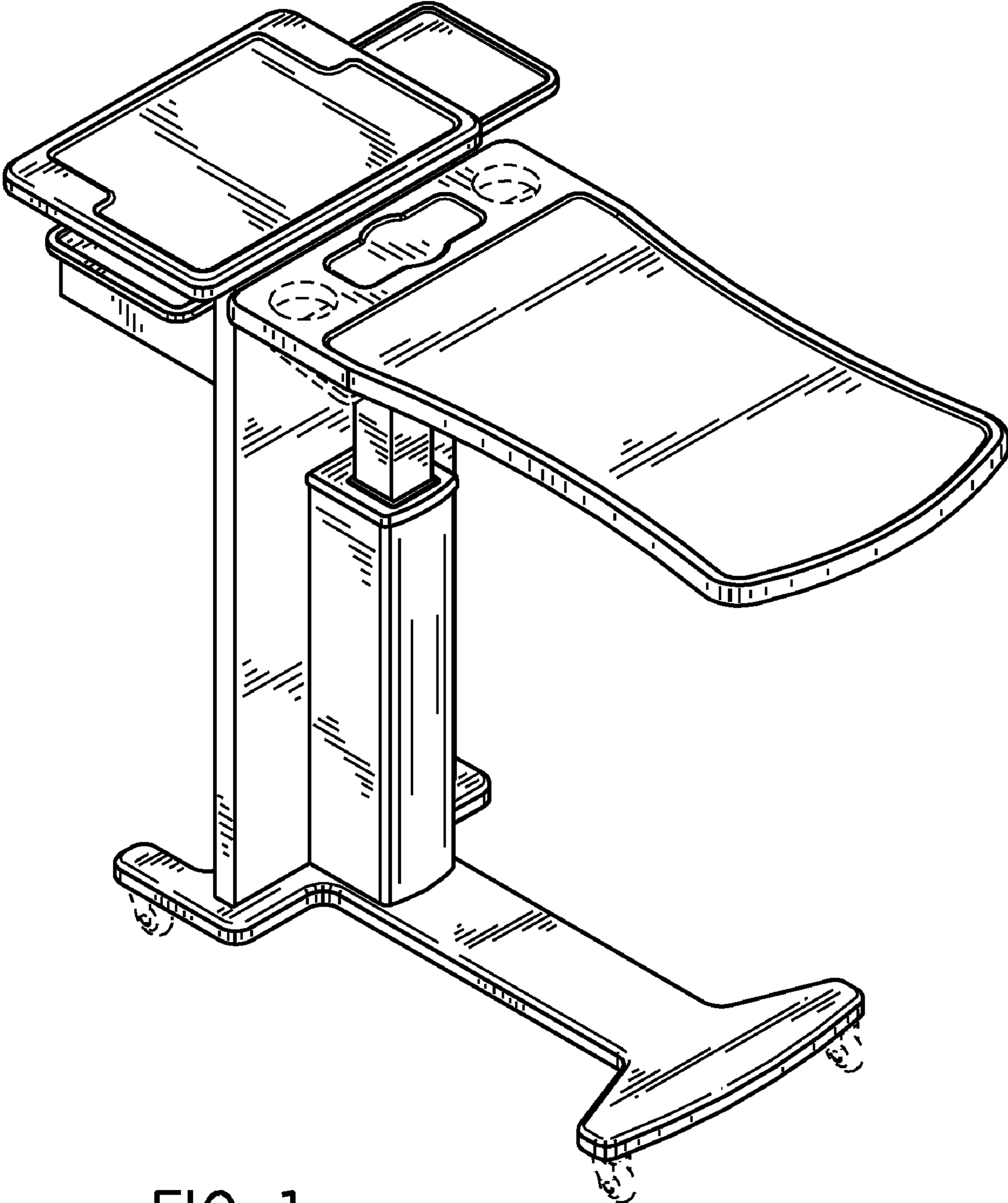


FIG. 1

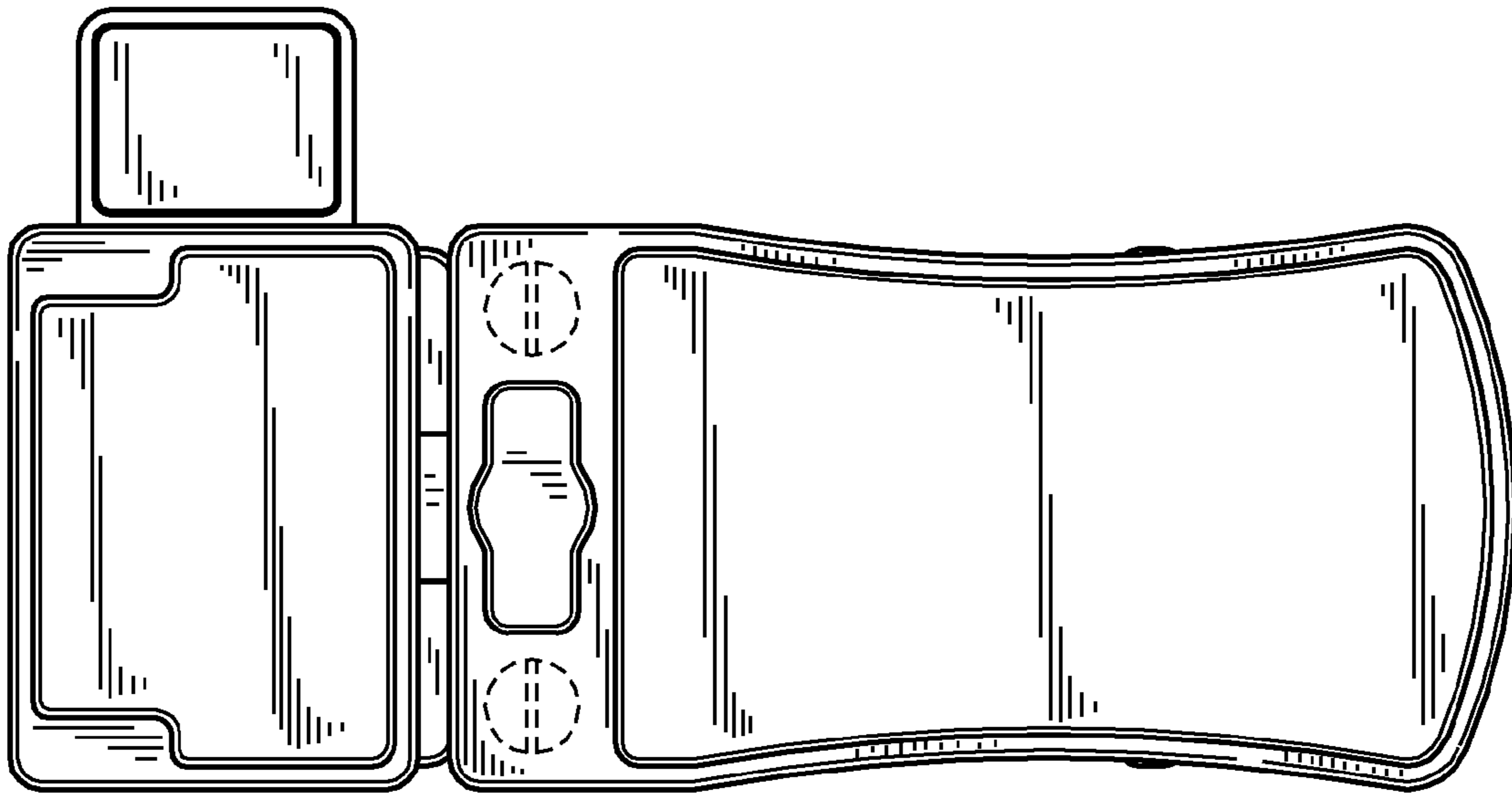


FIG. 2

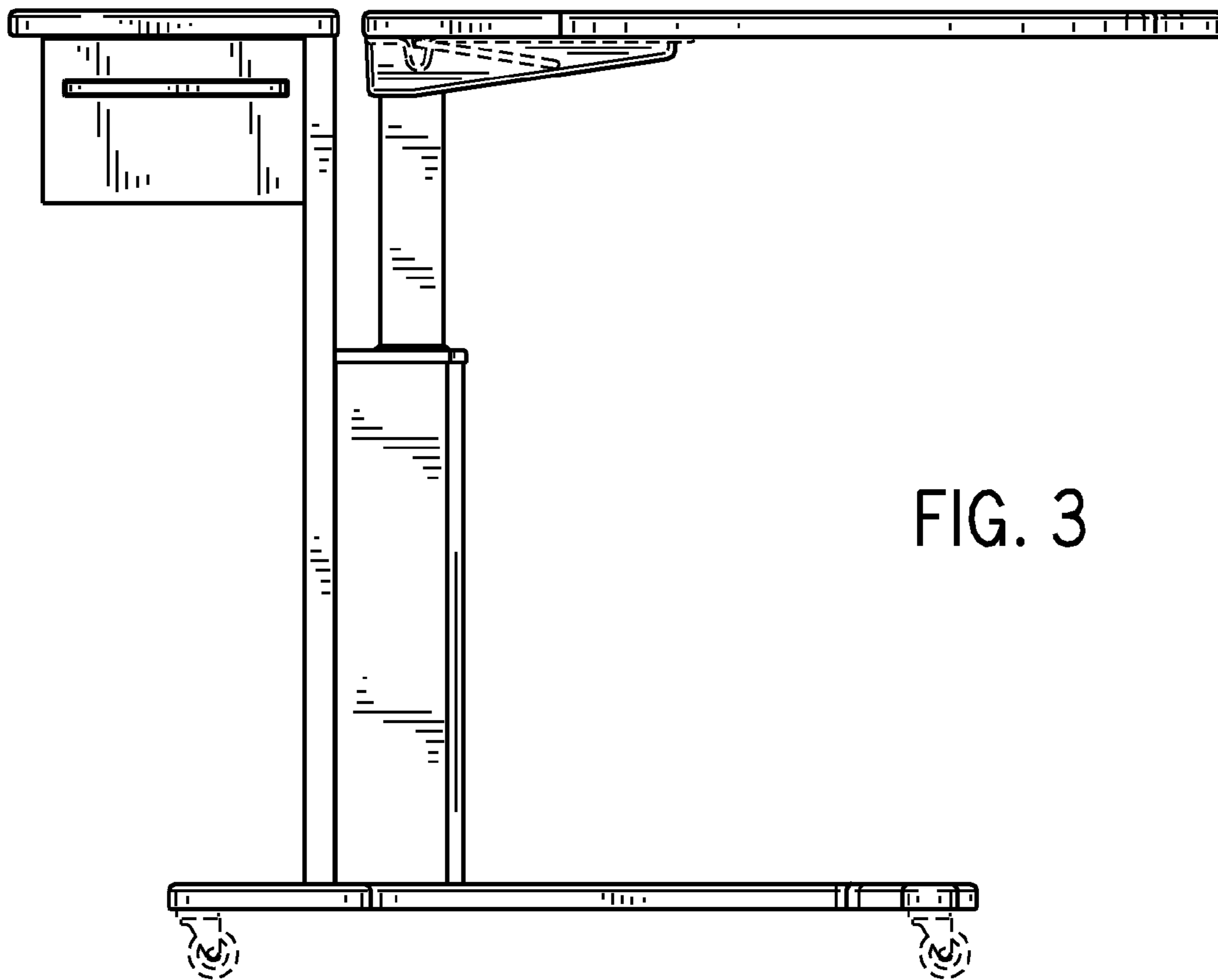


FIG. 3

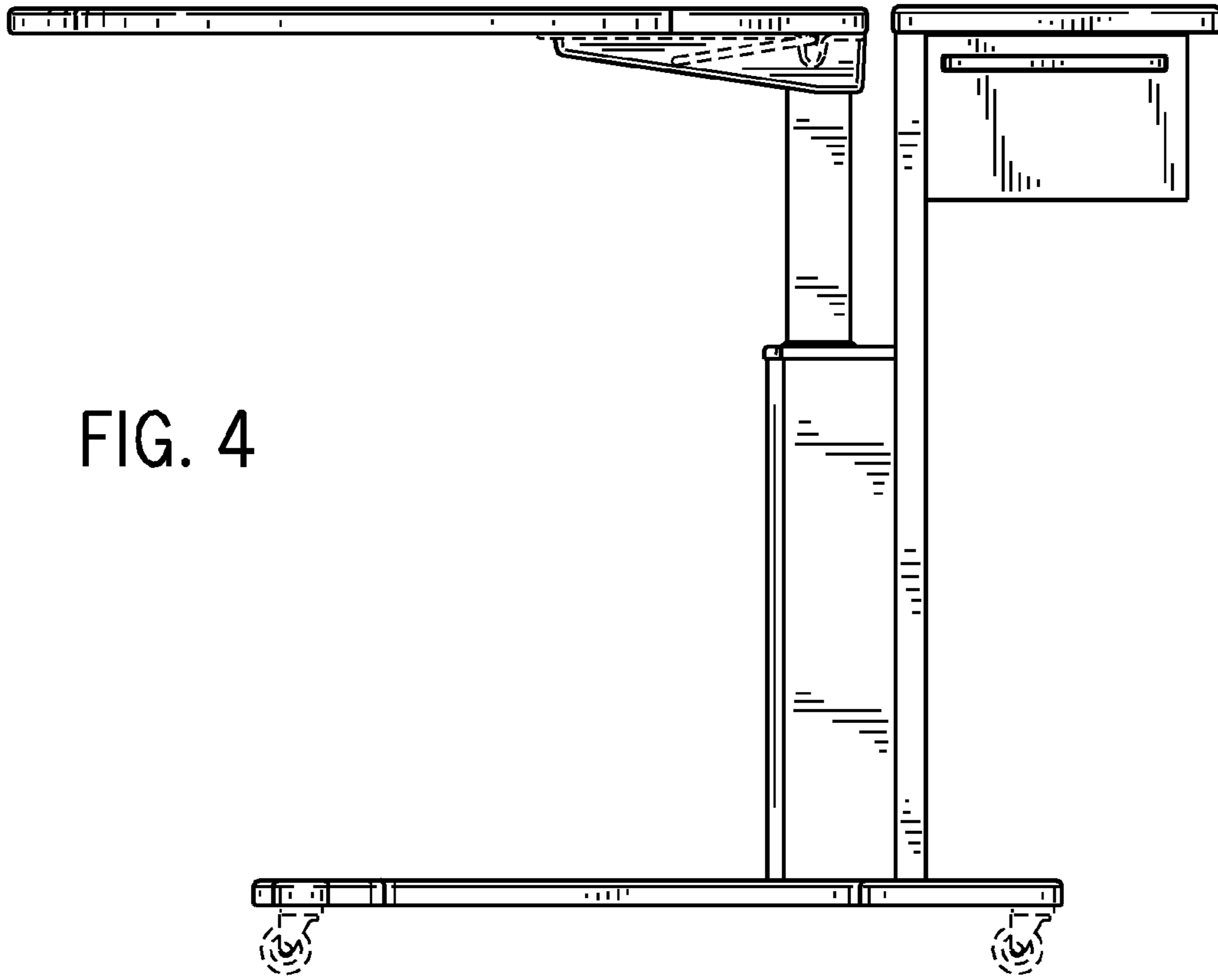


FIG. 4

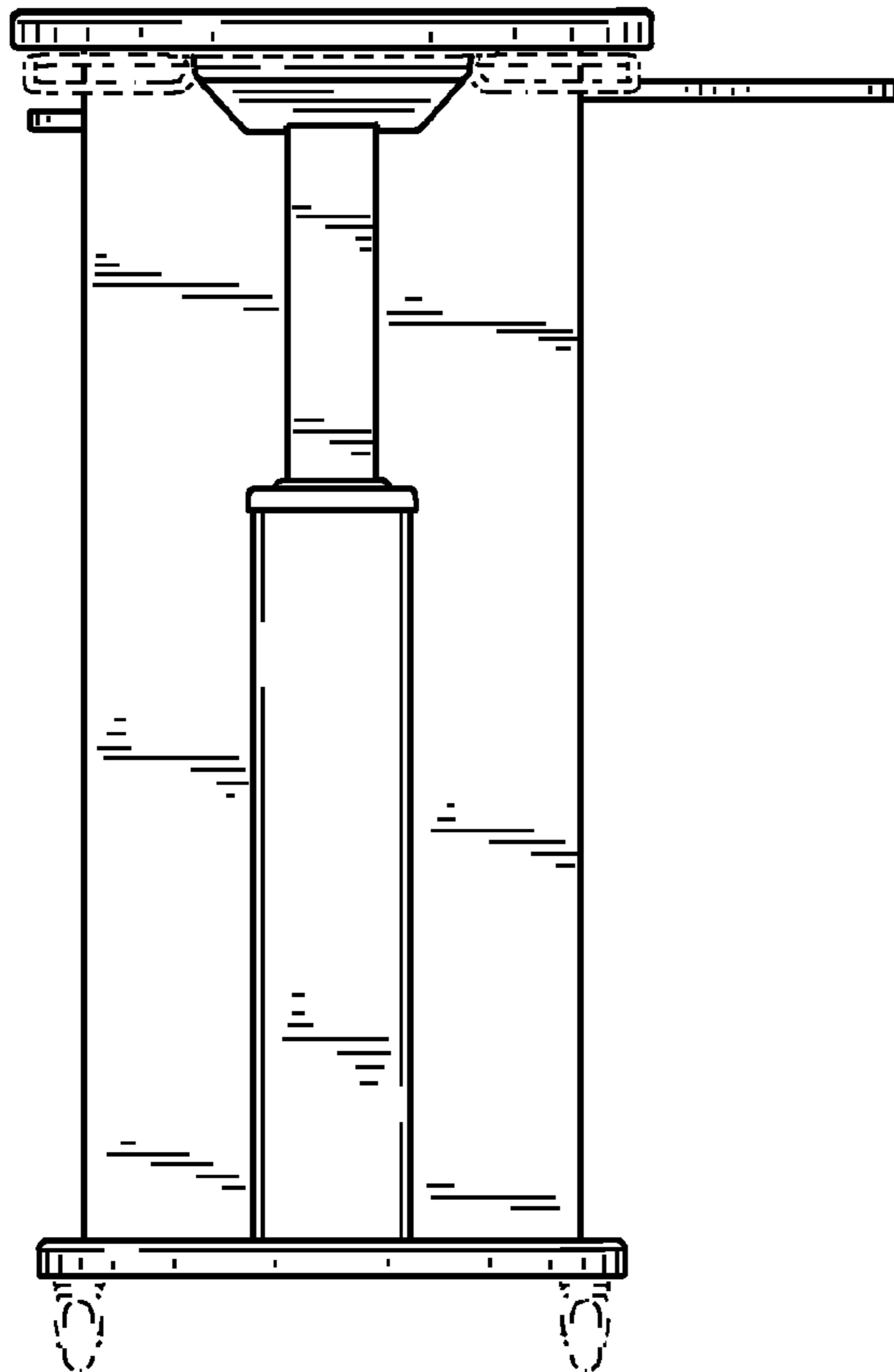


FIG. 5

FIG. 6

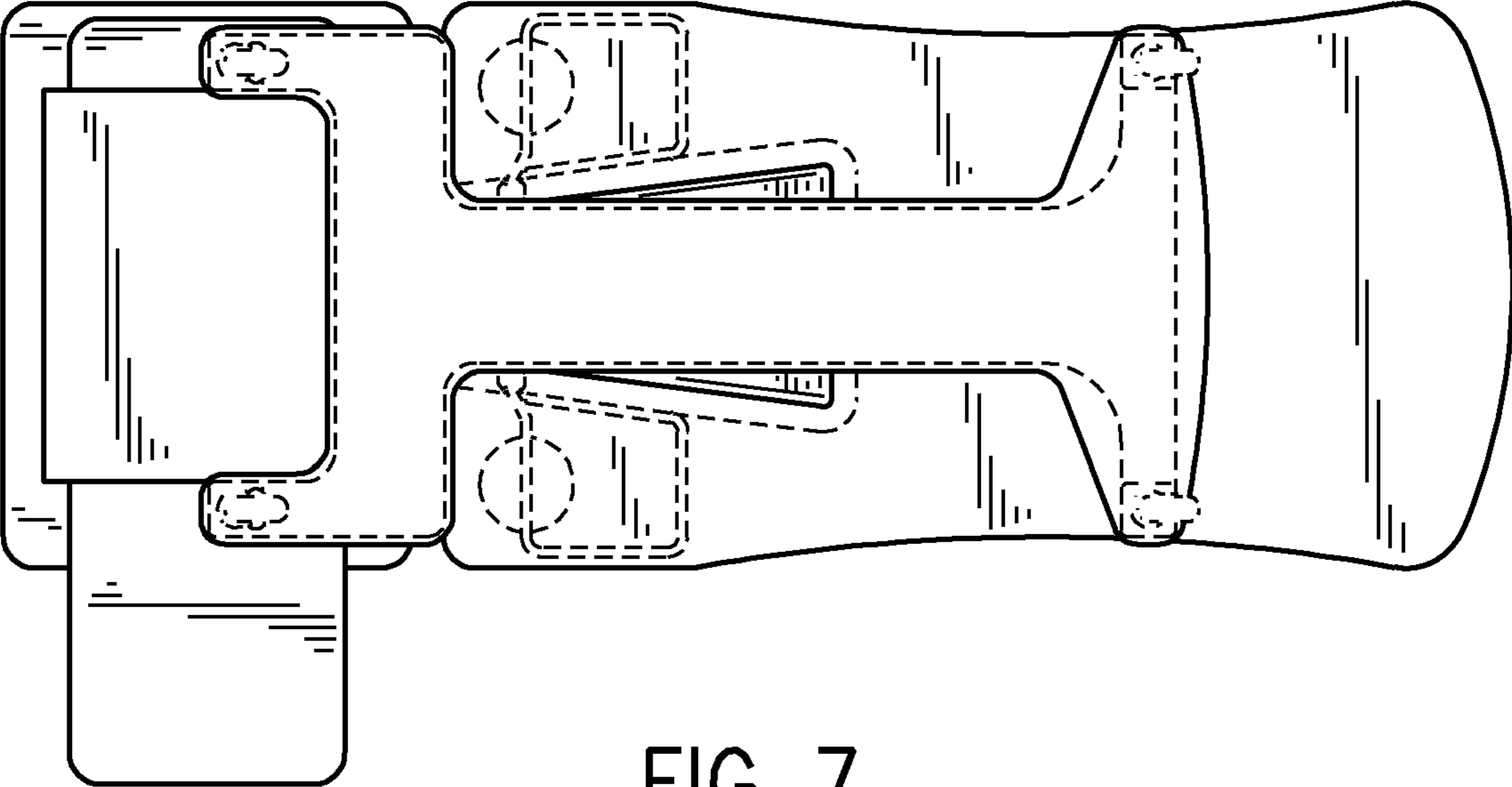
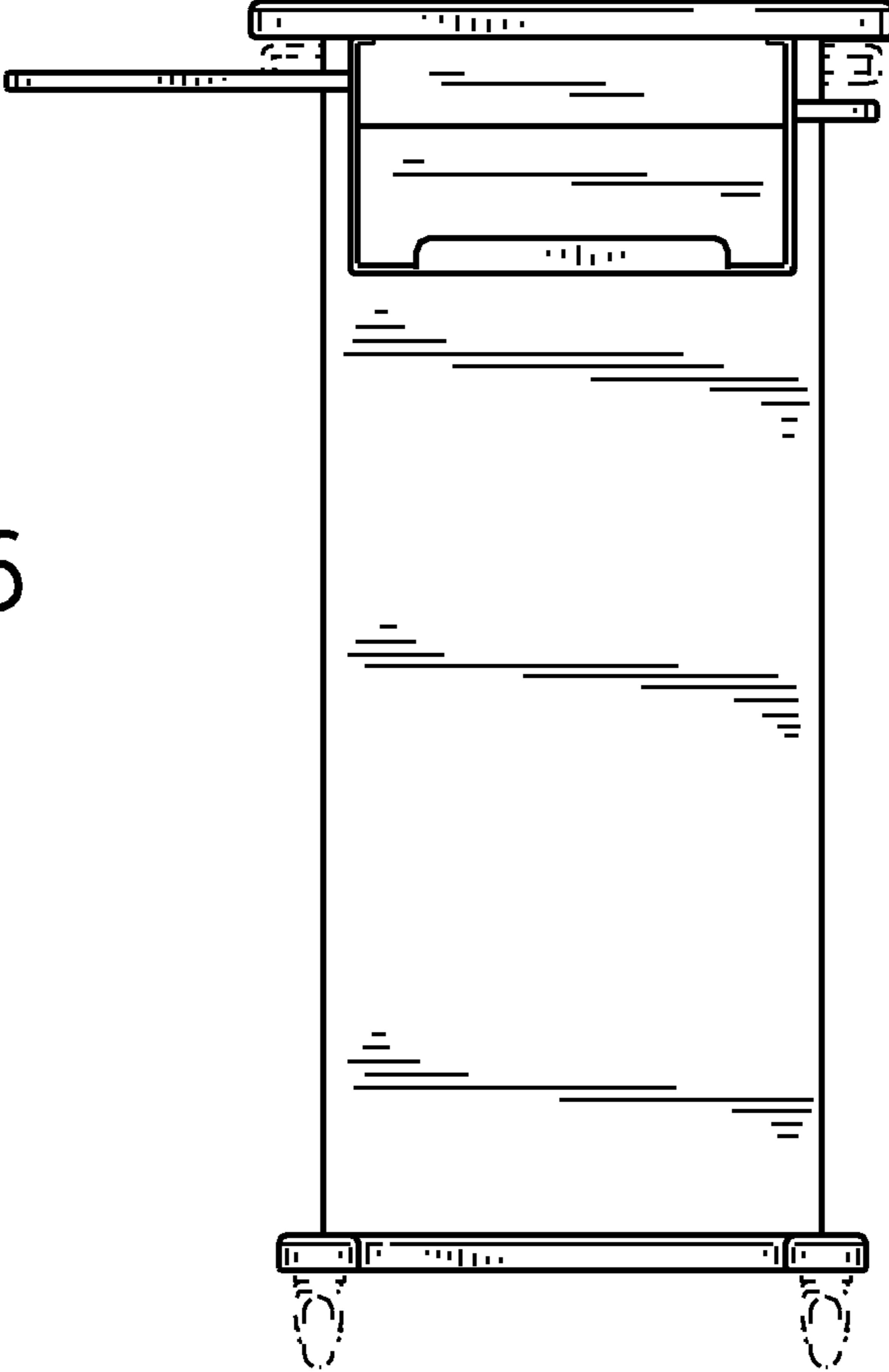


FIG. 7