



US00D588824S

(12) **United States Design Patent**  
**Lin**

(10) **Patent No.:** **US D588,824 S**  
(45) **Date of Patent:** **\*\* Mar. 24, 2009**

(54) **BABY HIGH CHAIR FRAME**  
(75) Inventor: **Te-Hsu Lin**, Yuetan Village (TW)  
(73) Assignee: **Double Wood Furniture Co., Ltd.**,  
Chiayi County (TW)  
(\*\*) Term: **14 Years**  
(21) Appl. No.: **29/324,906**  
(22) Filed: **Sep. 23, 2008**  
(51) **LOC (9) Cl.** ..... **06-01**  
(52) **U.S. Cl.** ..... **D6/339**  
(58) **Field of Classification Search** ..... D6/333,  
D6/335, 339, 491, 499-502; D12/129; D21/412,  
D21/416, 419; 280/30, 31; 5/93.1, 93.2,  
5/94, 98.1, 99.1, 101, 102, 655; 297/183.1,  
297/183.2, 183.3, 183.4, 184.14, 184.15,  
297/250.1, 255, 256.15, 256.16  
See application file for complete search history.

D409,007 S \* 5/1999 Osterweil-Glaz et al. .... D6/335  
D441,553 S \* 5/2001 Ware, Sr. .... D6/335  
6,634,712 B2 \* 10/2003 Gamble ..... 297/338  
D483,958 S \* 12/2003 Chen ..... D6/339  
D484,322 S \* 12/2003 Pomme ..... D6/339  
D493,965 S \* 8/2004 Kuester ..... D6/339  
D576,411 S \* 9/2008 Wang ..... D6/339  
D577,209 S \* 9/2008 Prent-de Jong et al. .... D6/333

\* cited by examiner

*Primary Examiner*—Sandra Snapp  
(74) *Attorney, Agent, or Firm*—Alan Kamrath; Kamrath &  
Associates PA

(56) **References Cited**  
U.S. PATENT DOCUMENTS  
4,109,961 A \* 8/1978 Opsvik ..... 297/338  
4,723,813 A \* 2/1988 Kassai ..... 297/153  
4,958,885 A \* 9/1990 Kassai ..... 297/55  
D352,614 S \* 11/1994 Adams ..... D6/370  
D357,128 S \* 4/1995 Watson et al. .... D6/335  
D362,554 S \* 9/1995 Grundner ..... D6/339  
D368,593 S \* 4/1996 Cone, II ..... D6/339

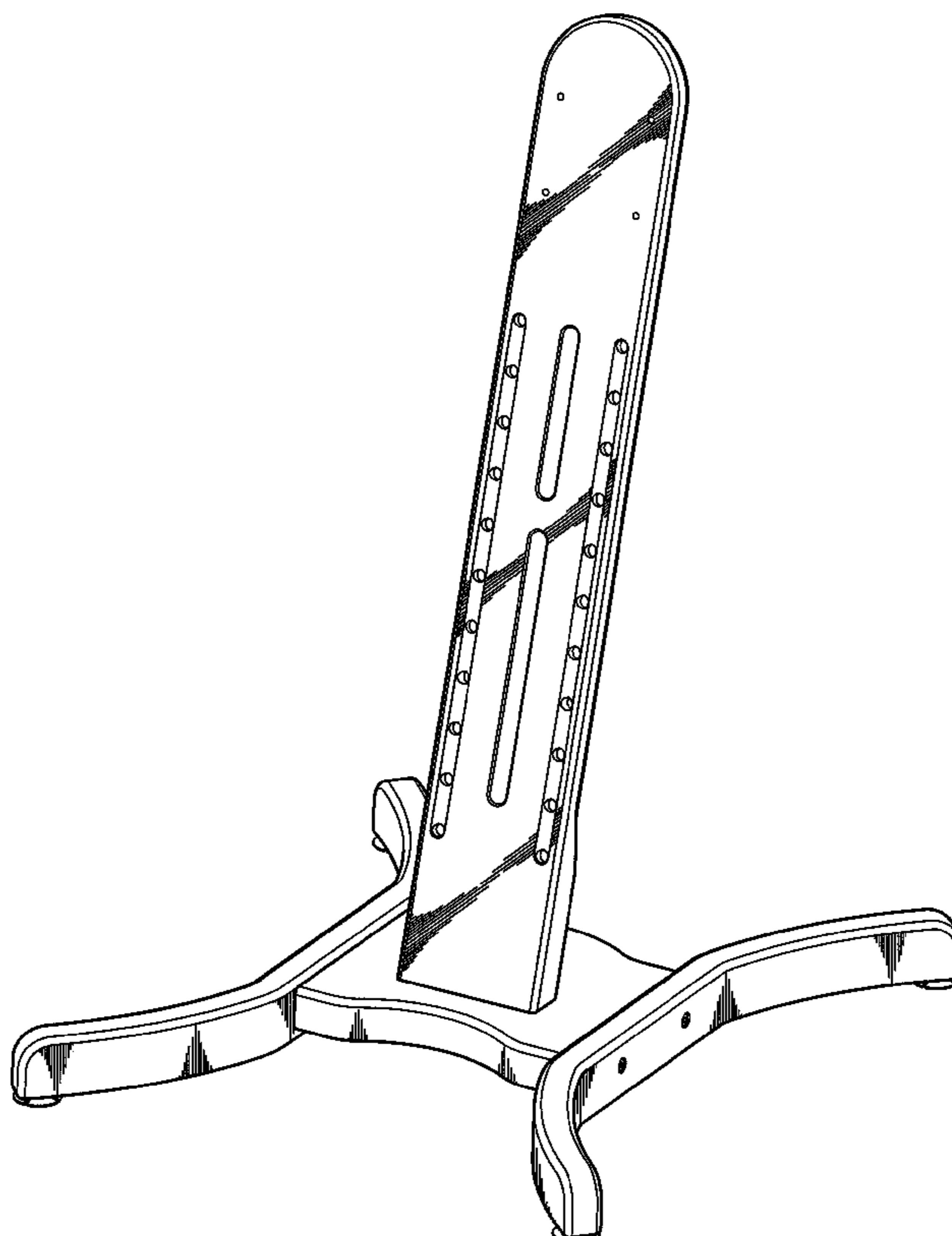
(57) **CLAIM**

The ornamental design for a baby high chair frame, as shown  
and described.

**DESCRIPTION**

FIG. 1 is a perspective view of an applicator, showing my new  
design;  
FIG. 2 is a front elevational view thereof;  
FIG. 3 is a rear elevational view thereof;  
FIG. 4 is a left side view thereof;  
FIG. 5 is a right side view thereof;  
FIG. 6 is a top plan view thereof; and,  
FIG. 7 is a bottom plan view thereof.

**1 Claim, 7 Drawing Sheets**



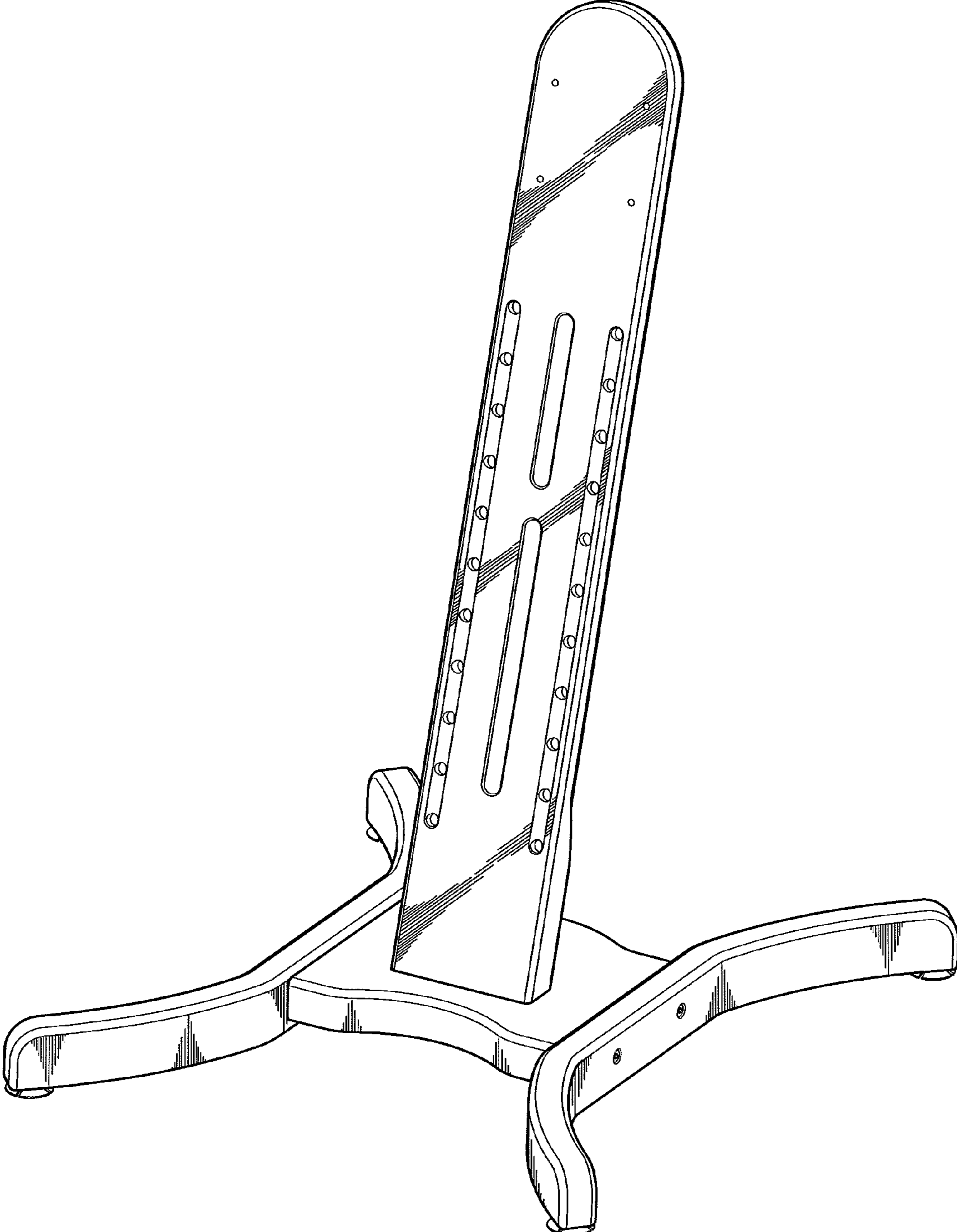


Fig.1

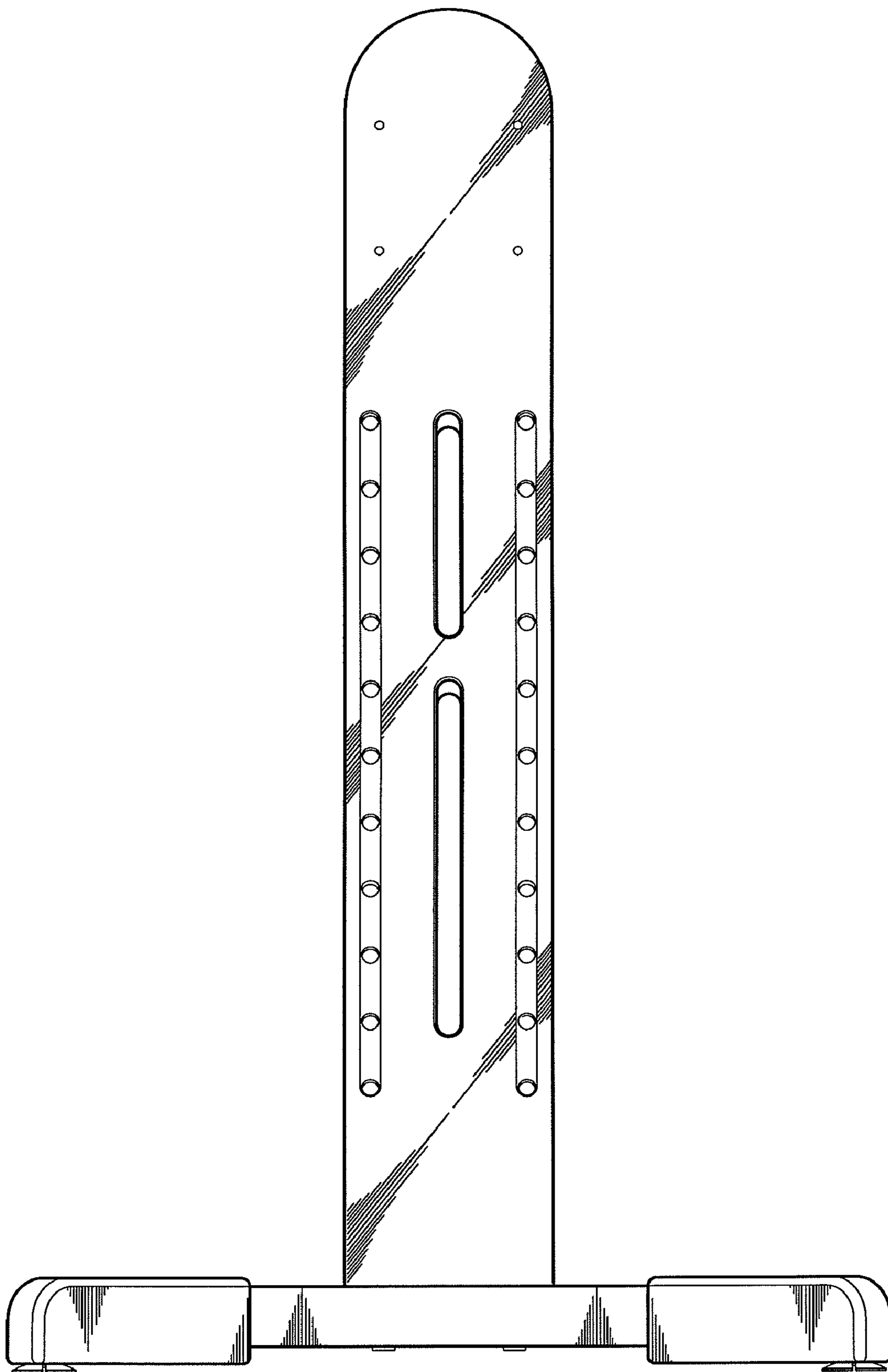


Fig.2

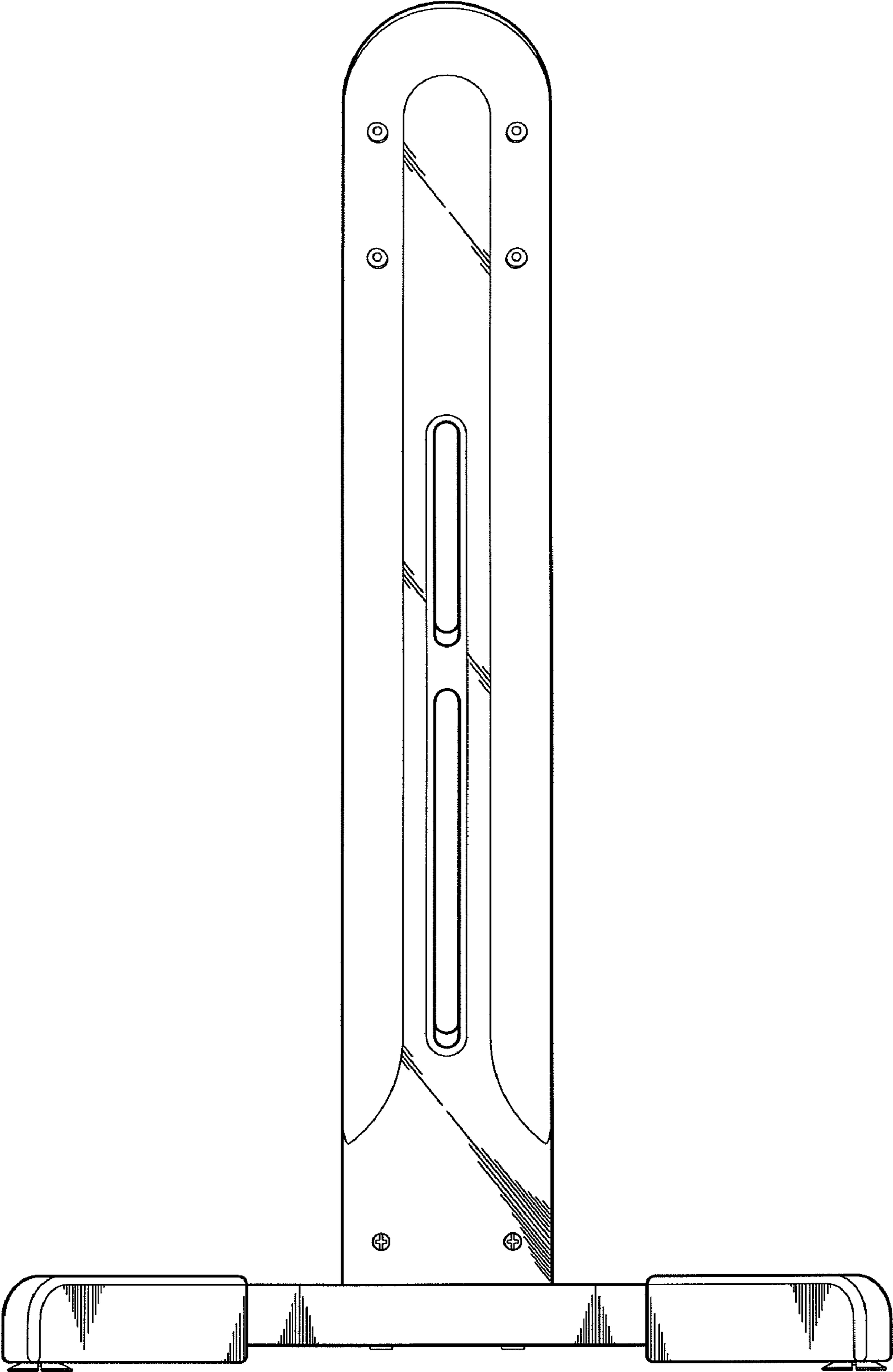


Fig.3

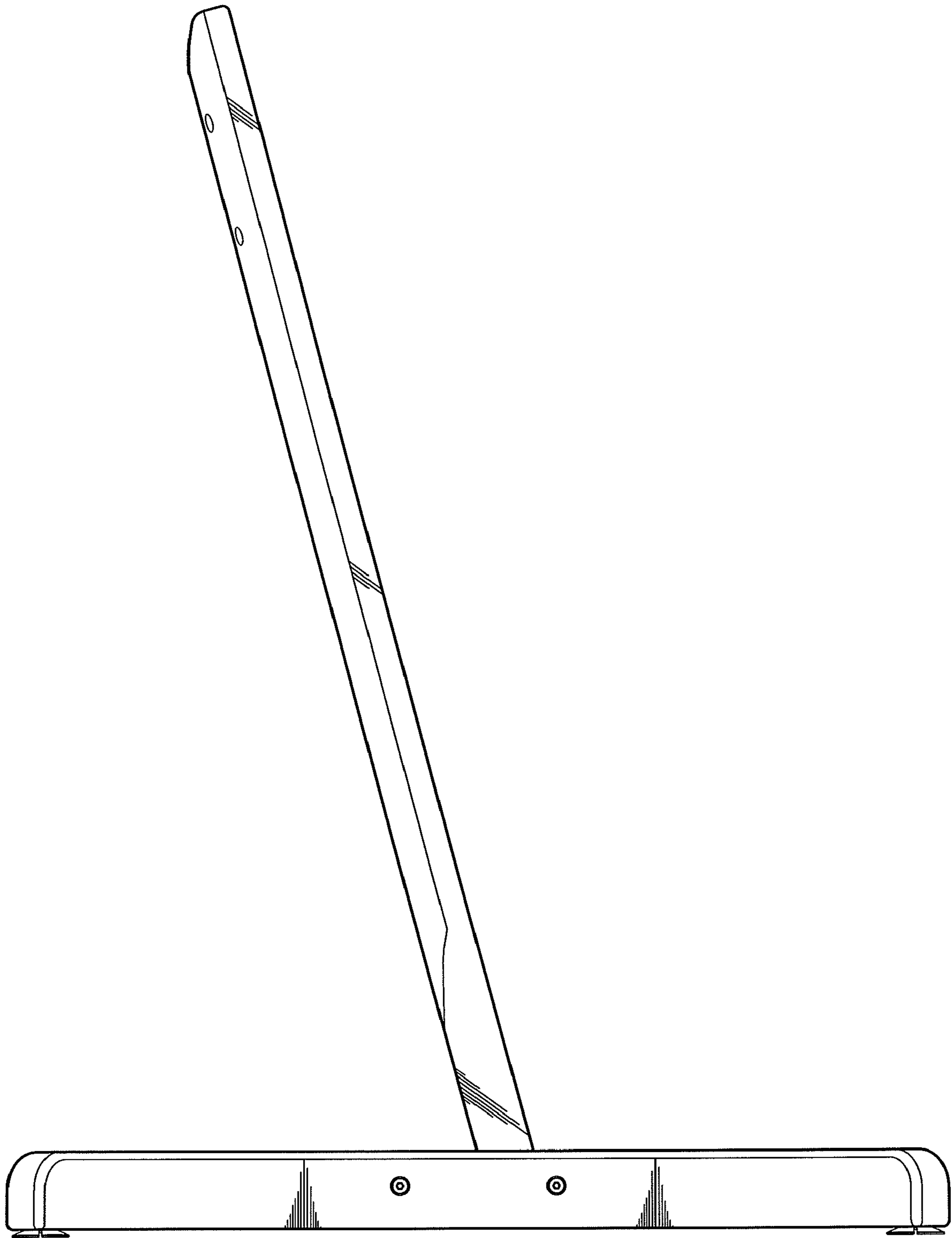


Fig.4

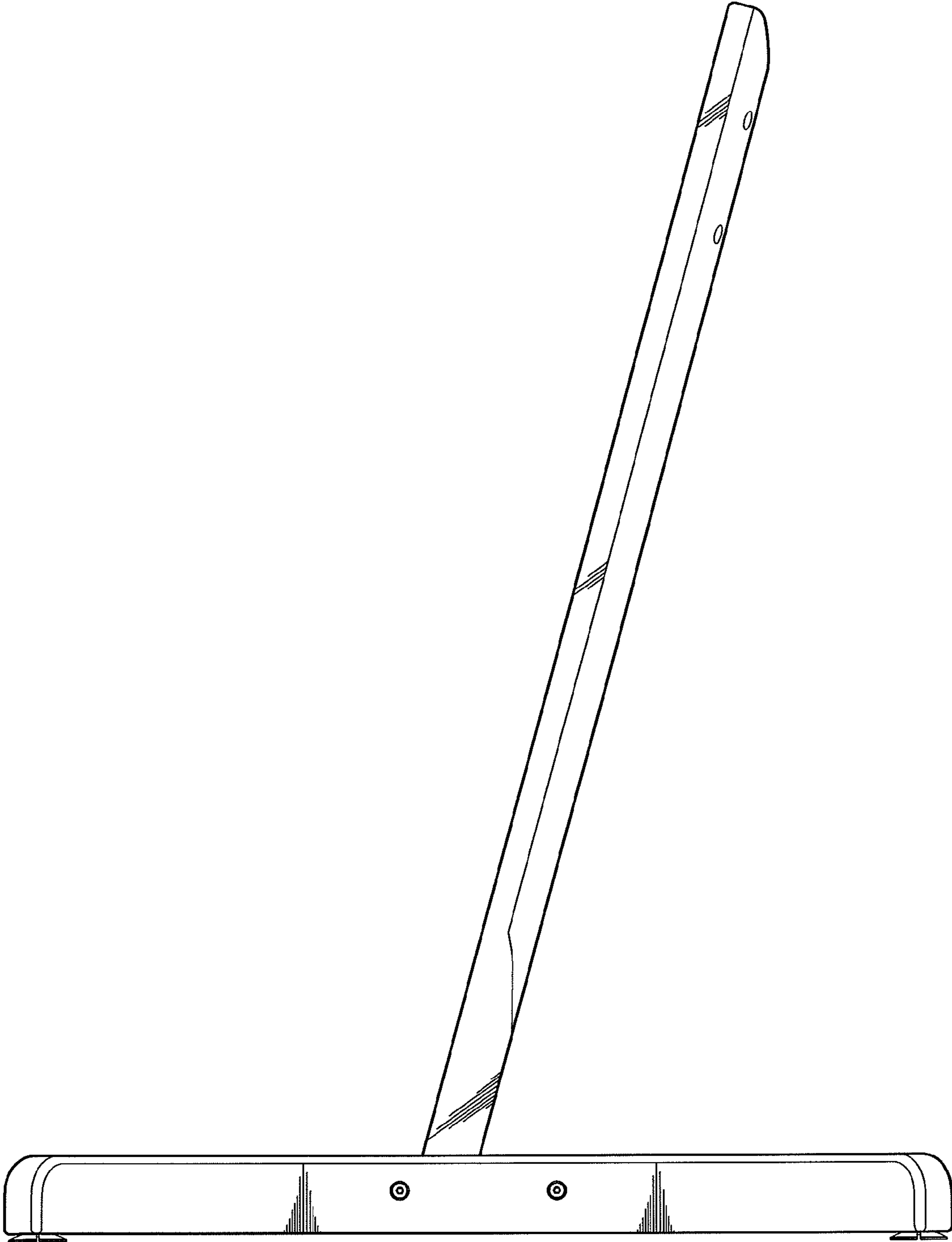


Fig.5

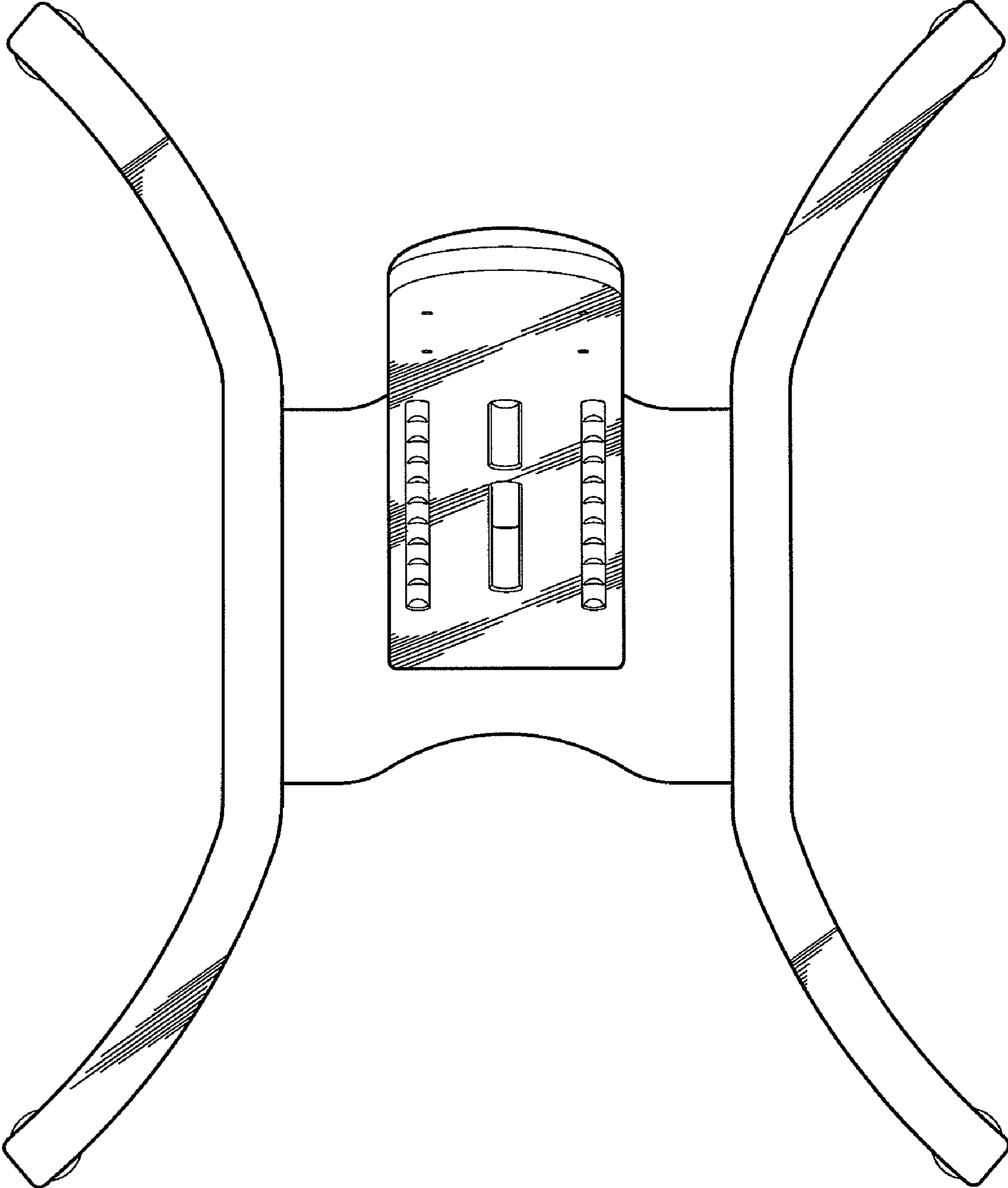


Fig.6

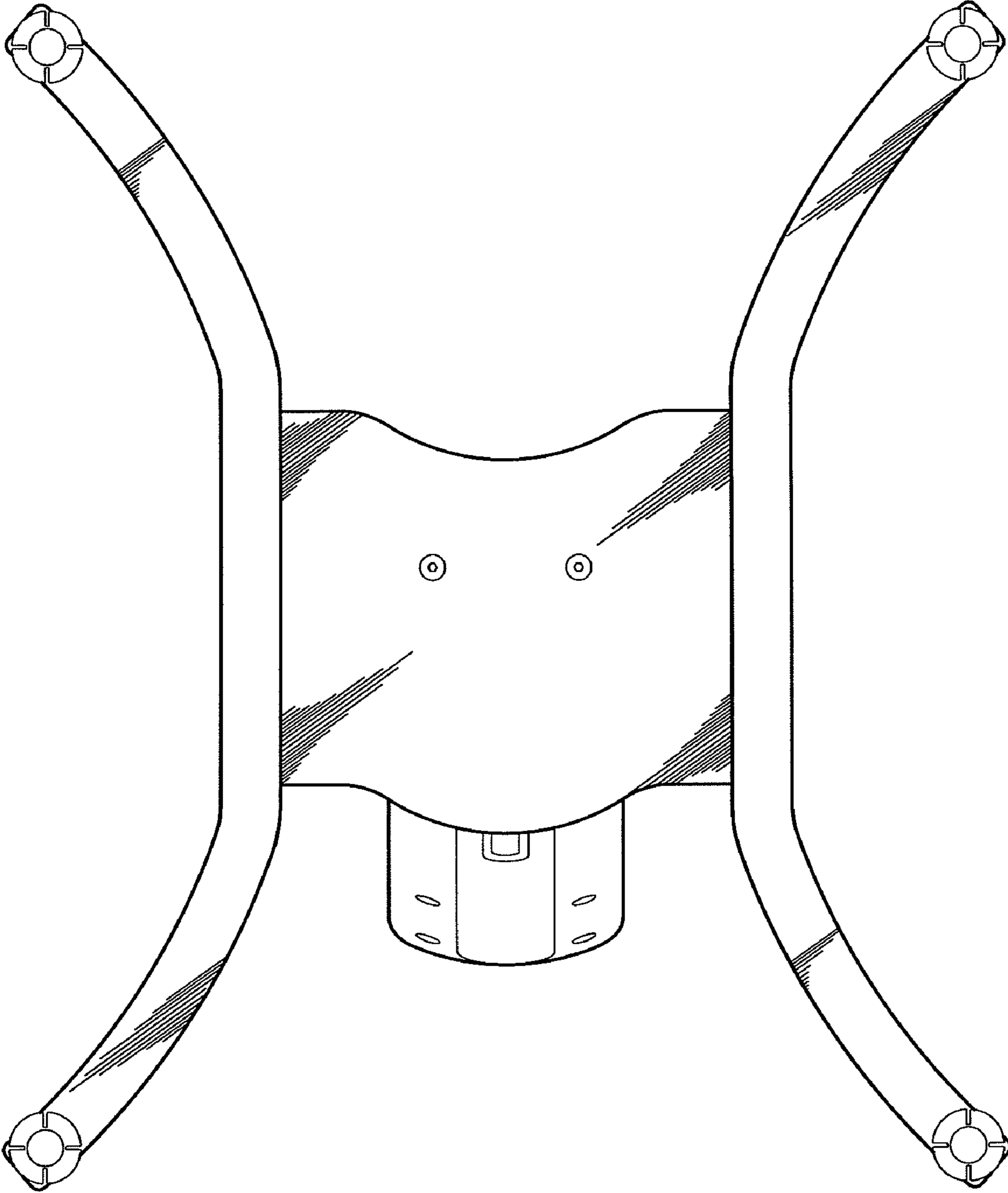


Fig.7