



US00D588816S

(12) **United States Design Patent**
Hughes, IV

(10) **Patent No.:** **US D588,816 S**

(45) **Date of Patent:** **** Mar. 24, 2009**

(54) **BATHTUB BRUSH**

(76) **Inventor:** **Taylor Hughes, IV**, Apt. C, 1821 Lake Knoll Dr., Cincinnati, OH (US) 45231

(**) **Term:** **14 Years**

(21) **Appl. No.:** **29/310,419**

(22) **Filed:** **Aug. 15, 2008**

(51) **LOC (9) Cl.** **04-01**

(52) **U.S. Cl.** **D4/121; D4/127**

(58) **Field of Classification Search** D4/102,
D4/121, 127, 132, 135; 15/144.1, 144.2,
15/159.1, 160, 172, 191.1

See application file for complete search history.

(56) **References Cited**

U.S. PATENT DOCUMENTS

1,531,225	A *	3/1925	Rose	15/143.1
2,188,449	A *	1/1940	Stewart	15/180
D160,736	S *	10/1950	Racicot	D4/127
D180,674	S *	7/1957	Scholl	D4/127
4,475,262	A *	10/1984	Downer	15/210.1
6,128,800	A *	10/2000	Vosbikian	15/172
D451,288	S *	12/2001	Bean et al.	D4/121
D543,362	S *	5/2007	Hall	D4/102
2007/0067935	A1 *	3/2007	Lin et al.	15/229.6

* cited by examiner

Primary Examiner—Melanie H Tung

Assistant Examiner—Lavone D Tabor

(74) *Attorney, Agent, or Firm*—Neal O. Willmann

(57) **CLAIM**

The ornamental design for the bathtub brush, as shown and described.

DESCRIPTION

FIG. 1 is a right side elevational view of a bathtub brush showing a first form of my new design, the left side being a mirror image;

FIG. 2 is a rear elevational view thereof;

FIG. 3 is a front elevational view thereof;

FIG. 4 is a top plan view thereof;

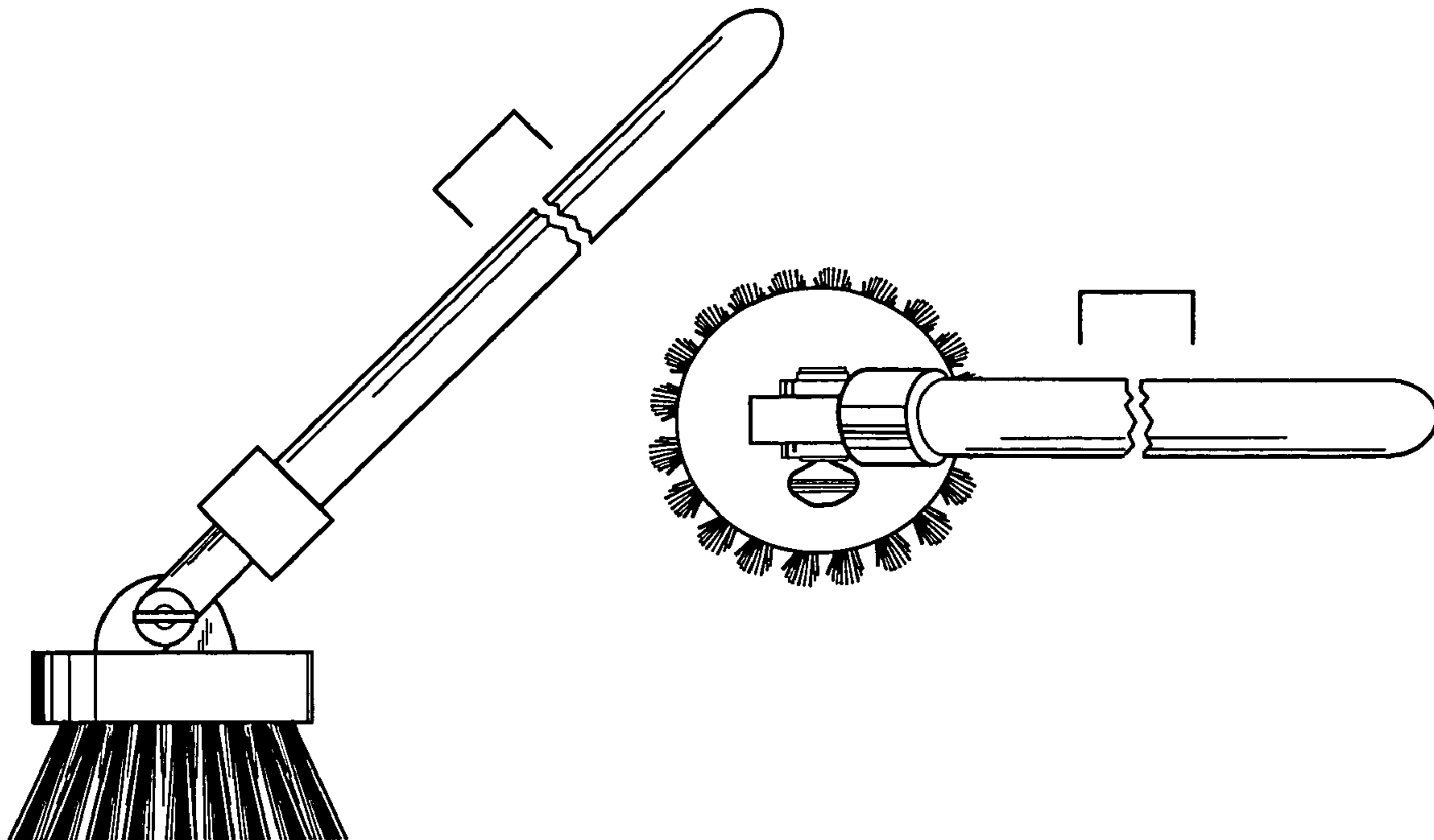
FIG. 5 is a bottom plan view thereof;

FIG. 6 is a right side elevational view showing the handle in an alternate position; and,

FIG. 7 is a right side elevation view showing the handle in a second alternate position.

The handle is shown broken away to indicate that a specific length is not being claimed.

1 Claim, 2 Drawing Sheets



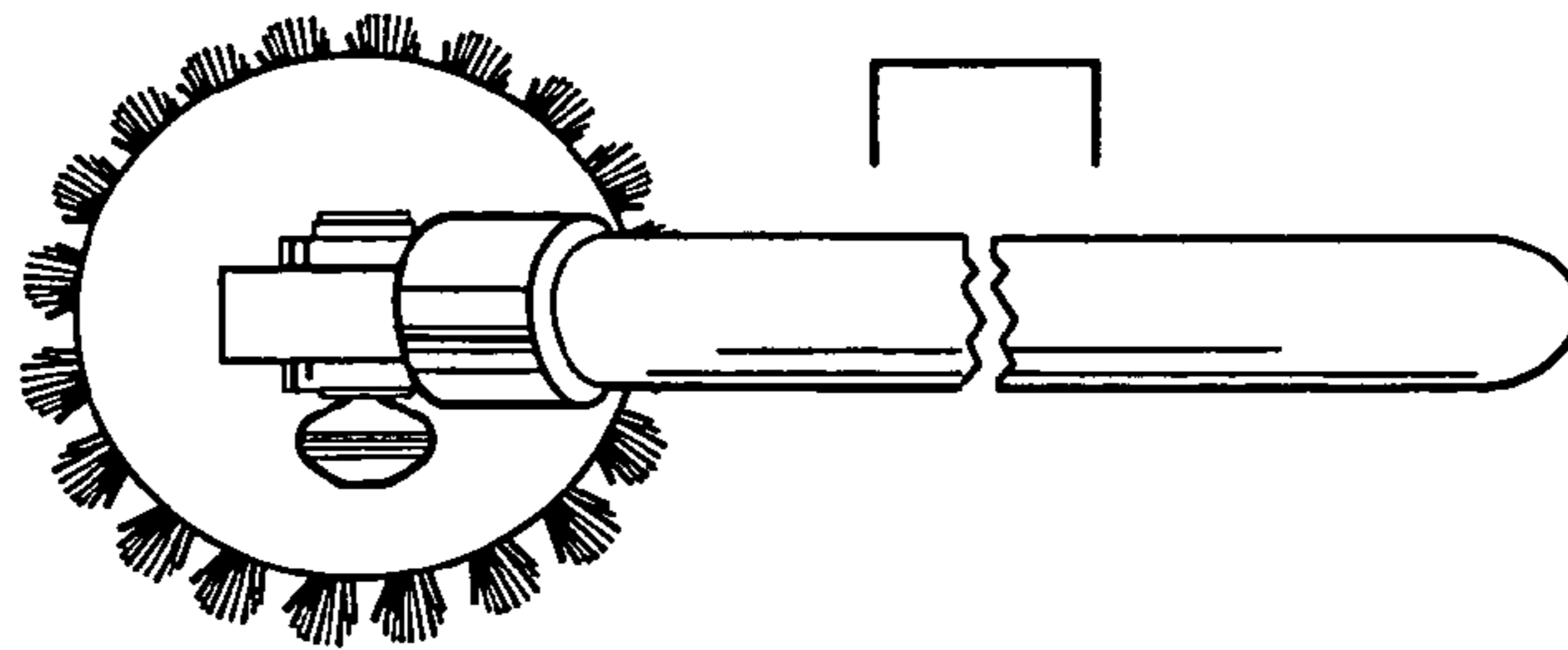


Fig. 4

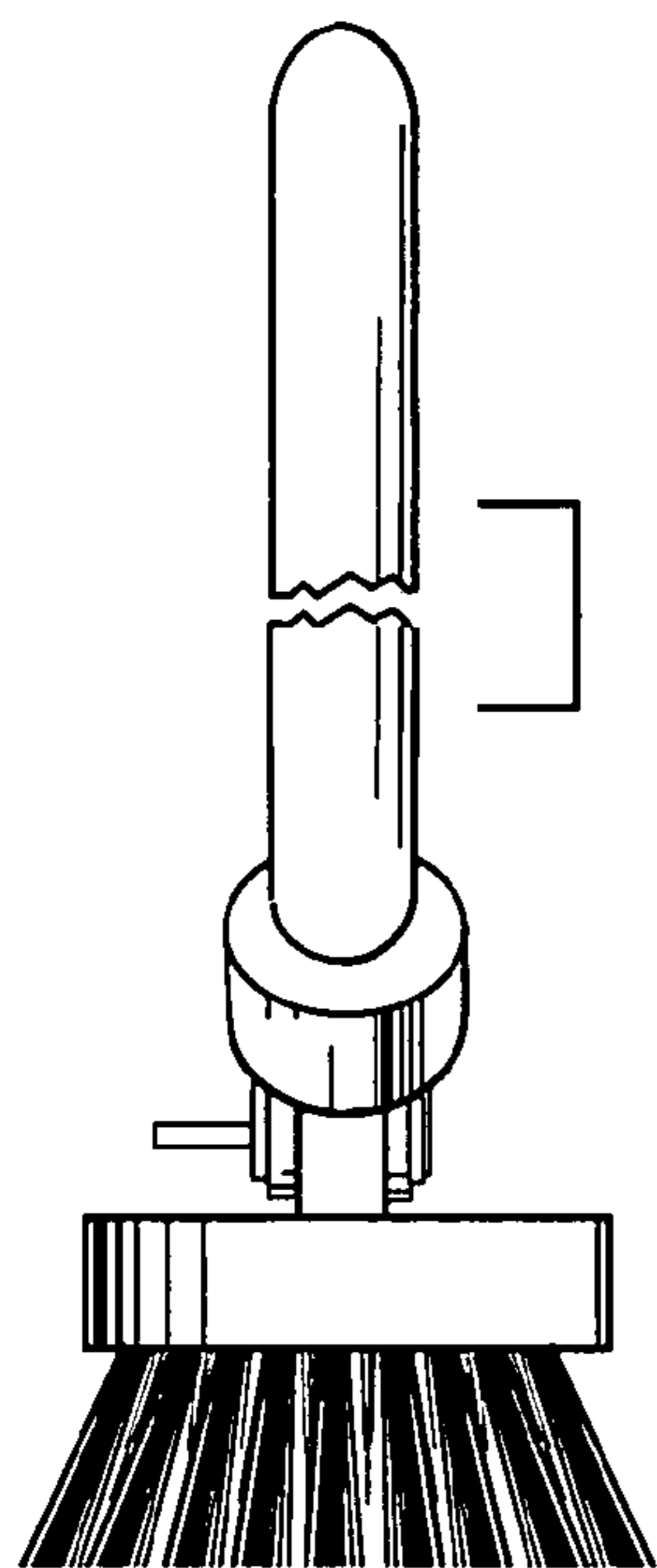


Fig. 2

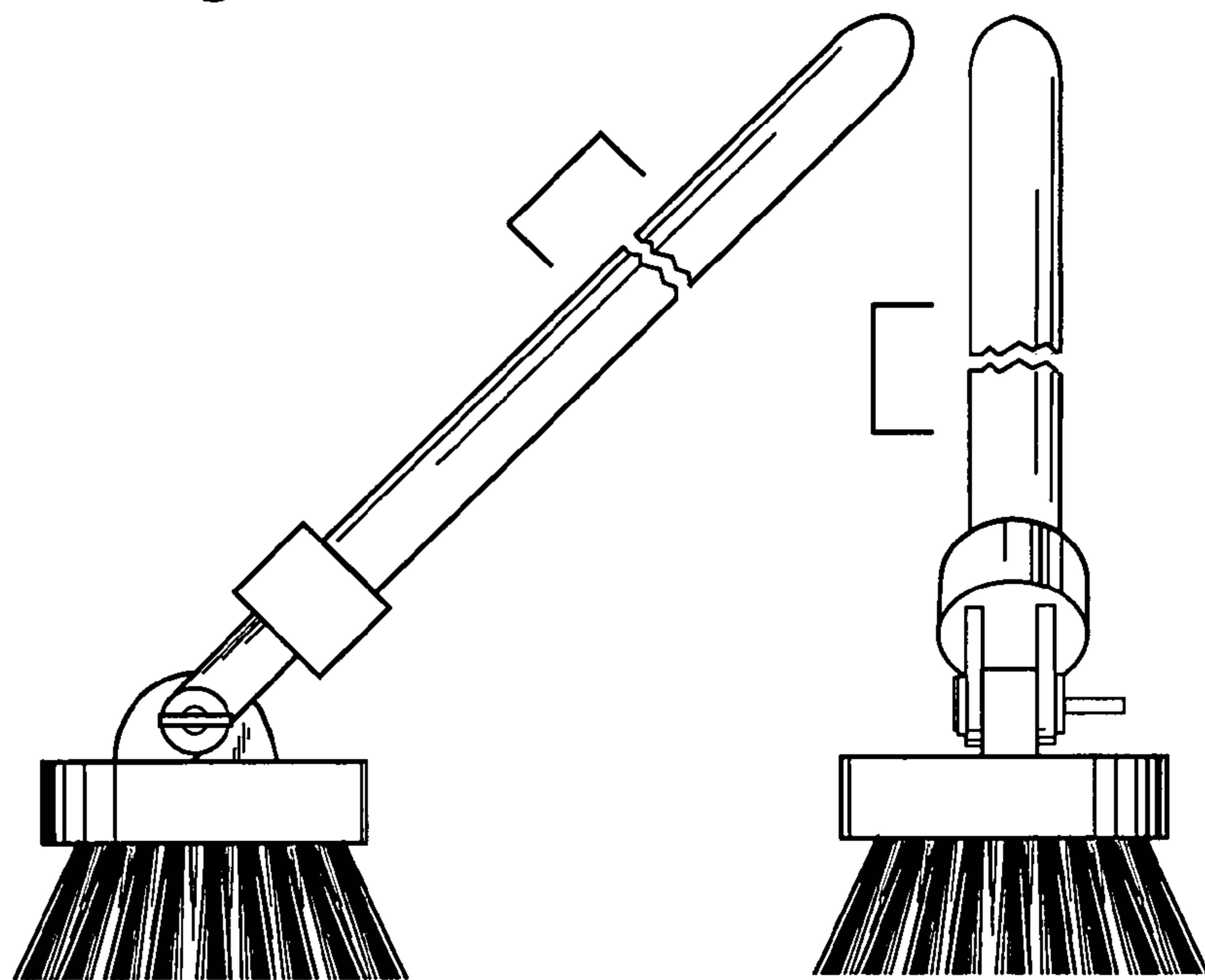


Fig. 1

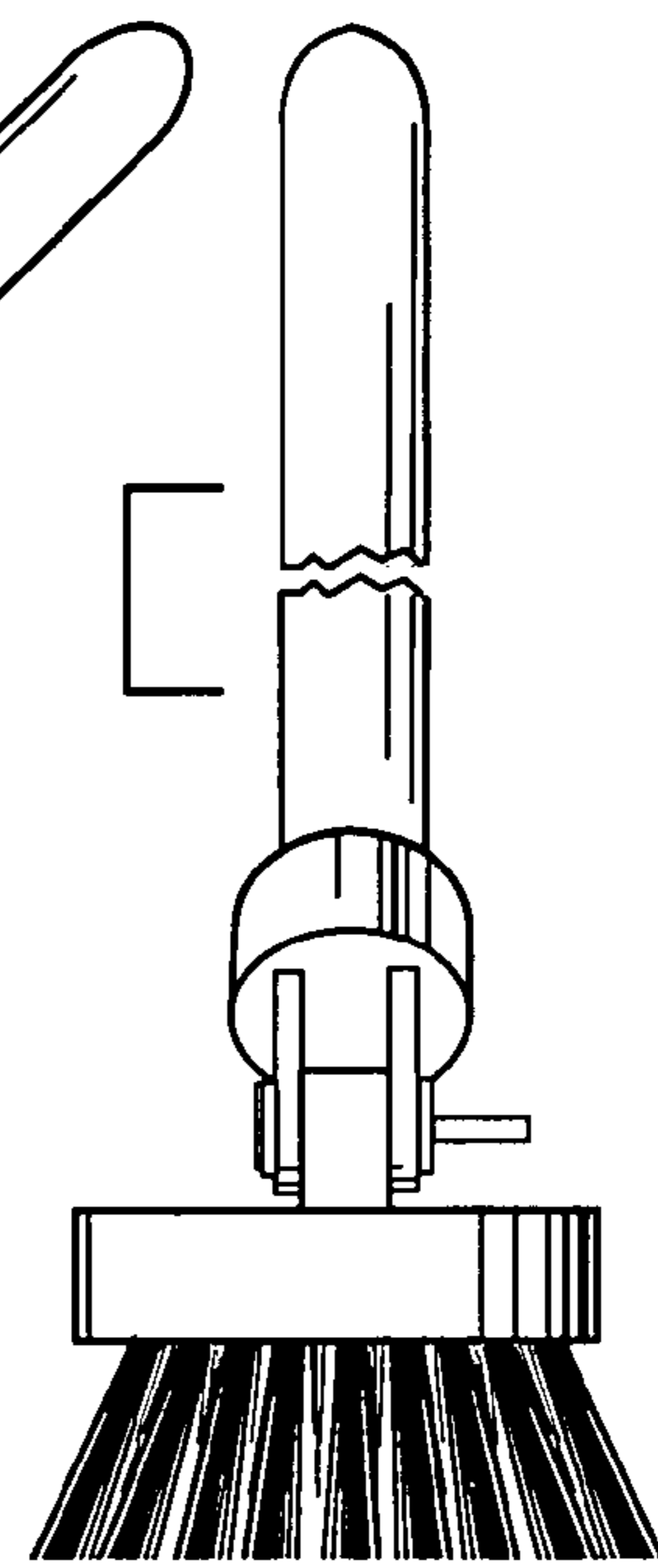


Fig. 3

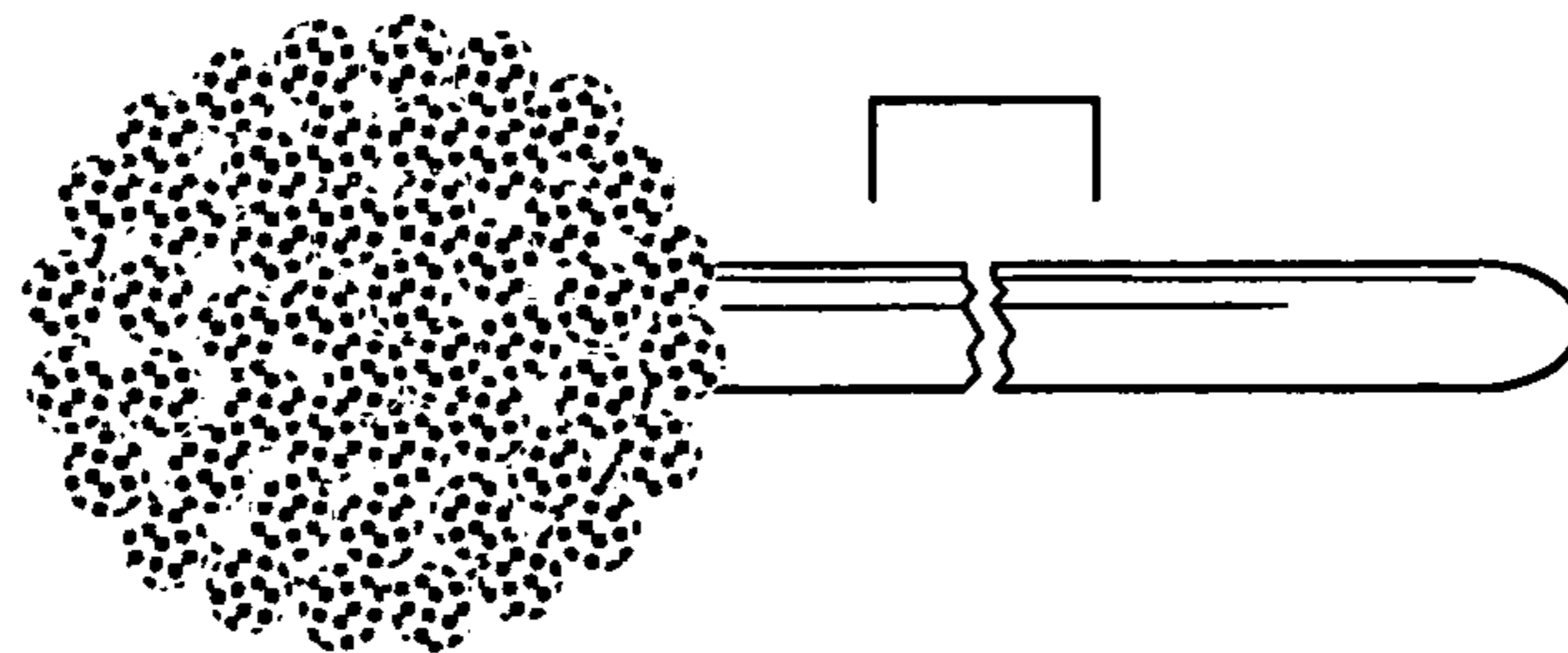


Fig. 5

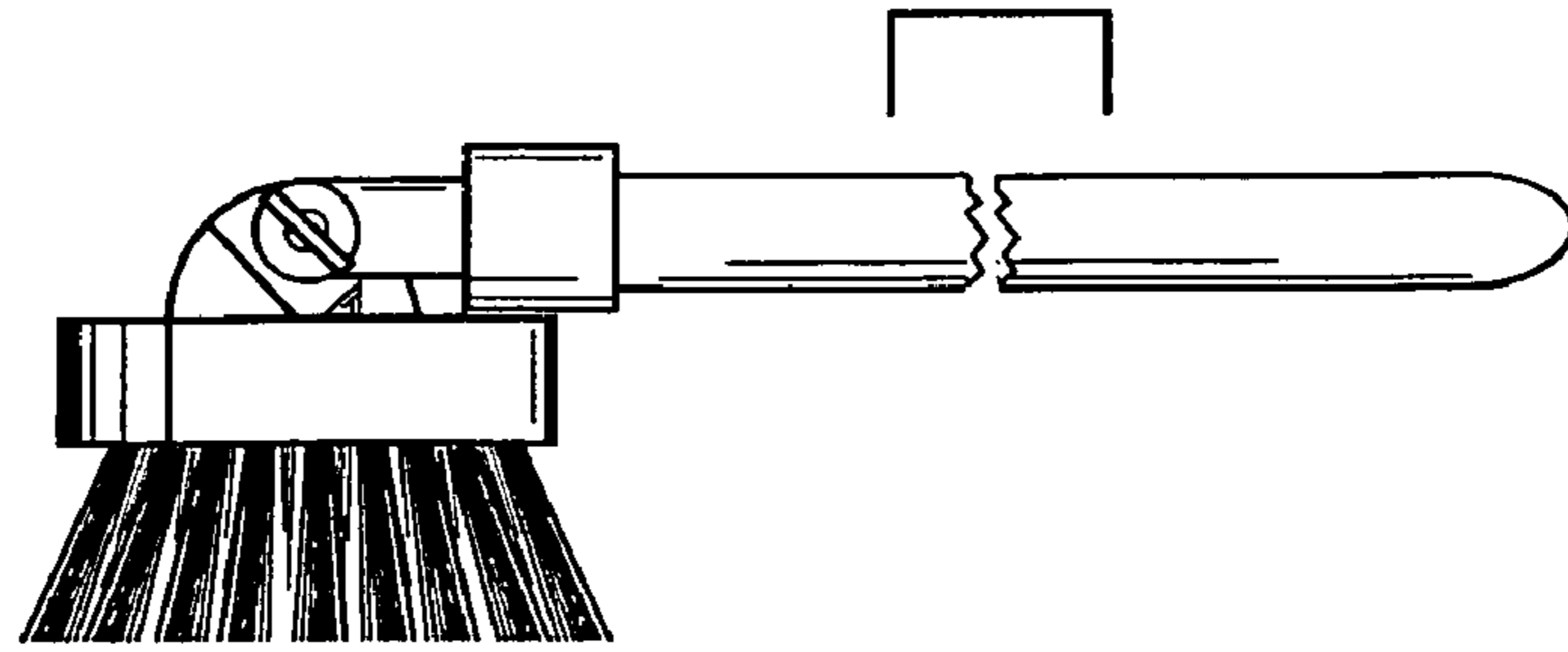


Fig. 6

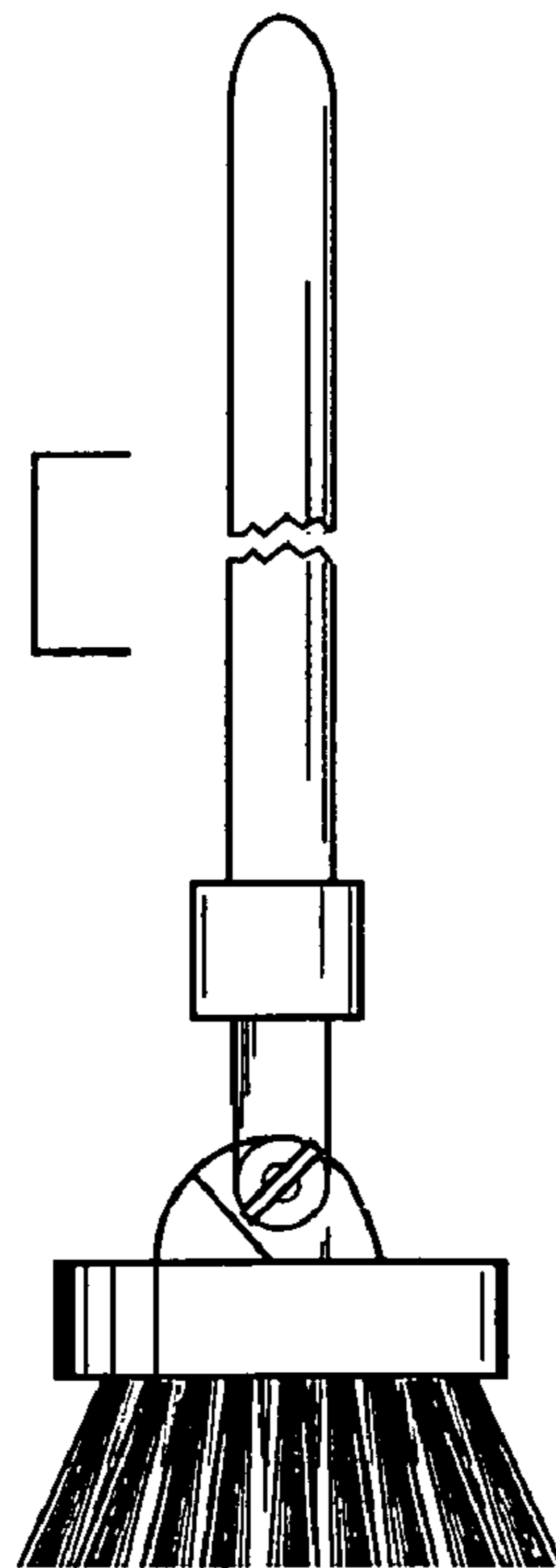


Fig. 7