



US00D588814S

(12) **United States Design Patent**
Ghiorghie

(10) **Patent No.:** **US D588,814 S**

(45) **Date of Patent:** **** Mar. 24, 2009**

(54) **OVER THE CABINET BASKET**

(75) Inventor: **Radu Alexandru Ghiorghie**, Copley,
OH (US)

(73) Assignee: **InterDesign, Inc.**, Solon, OH (US)

(**) Term: **14 Years**

(21) Appl. No.: **29/307,045**

(22) Filed: **Mar. 28, 2008**

(51) **LOC (9) Cl.** **03-01**

(52) **U.S. Cl.** **D3/304**

(58) **Field of Classification Search** D3/304,
D3/306; 206/202, 513, 557; 211/13.1, 41.3,
211/41.4, 86.01, 88.01, 134, 126.1, 181.1;
248/302; 220/485, 486

See application file for complete search history.

(56) **References Cited**

U.S. PATENT DOCUMENTS

2,635,779	A *	4/1953	Pfeiffer	220/756
D414,968	S *	10/1999	Thurston-Chartraw	D6/514
D450,213	S	11/2001	Snell		
D459,132	S *	6/2002	Shea	D6/567
D464,516	S	10/2002	Snell		
D479,663	S	9/2003	Snell		
D499,286	S *	12/2004	Harwanko	D6/514
D501,106	S *	1/2005	Suero, Jr.	D6/514
D508,321	S *	8/2005	Anderson et al.	D3/304
D512,223	S	12/2005	Snell		
D532,235	S *	11/2006	Snell	D6/567
D540,091	S *	4/2007	Snell	D6/566
D553,890	S *	10/2007	Goodman et al.	D6/566
D554,417	S *	11/2007	Thorsteinsson et al.	D6/566
D554,418	S *	11/2007	Goodman et al.	D6/566
D554,419	S *	11/2007	Thompson et al.	D6/566
D559,024	S *	1/2008	Tau	D6/566

D563,708	S *	3/2008	Snell	D6/566
D574,647	S *	8/2008	Snider	D6/513
2006/0283817	A1 *	12/2006	Yang et al.	211/41.4

OTHER PUBLICATIONS

2006 InterDesign, Inc. product brochure, p. 12, 15, 16, 17, 22 w/front & back cover.

* cited by examiner

Primary Examiner—T. Chase Nelson

Assistant Examiner—Eric L Goodman

(74) *Attorney, Agent, or Firm*—D. Peter Hochberg; Sean F. Mellino; Daniel J. Smola

(57) **CLAIM**

The ornamental design for an over the cabinet basket, as shown and described.

DESCRIPTION

FIG. 1 is a perspective view of the over the cabinet basket according to the invention;

FIG. 2 is a top view of the over the cabinet basket as shown in FIG. 1;

FIG. 3 is a front view of the over the cabinet basket as shown in FIG. 1;

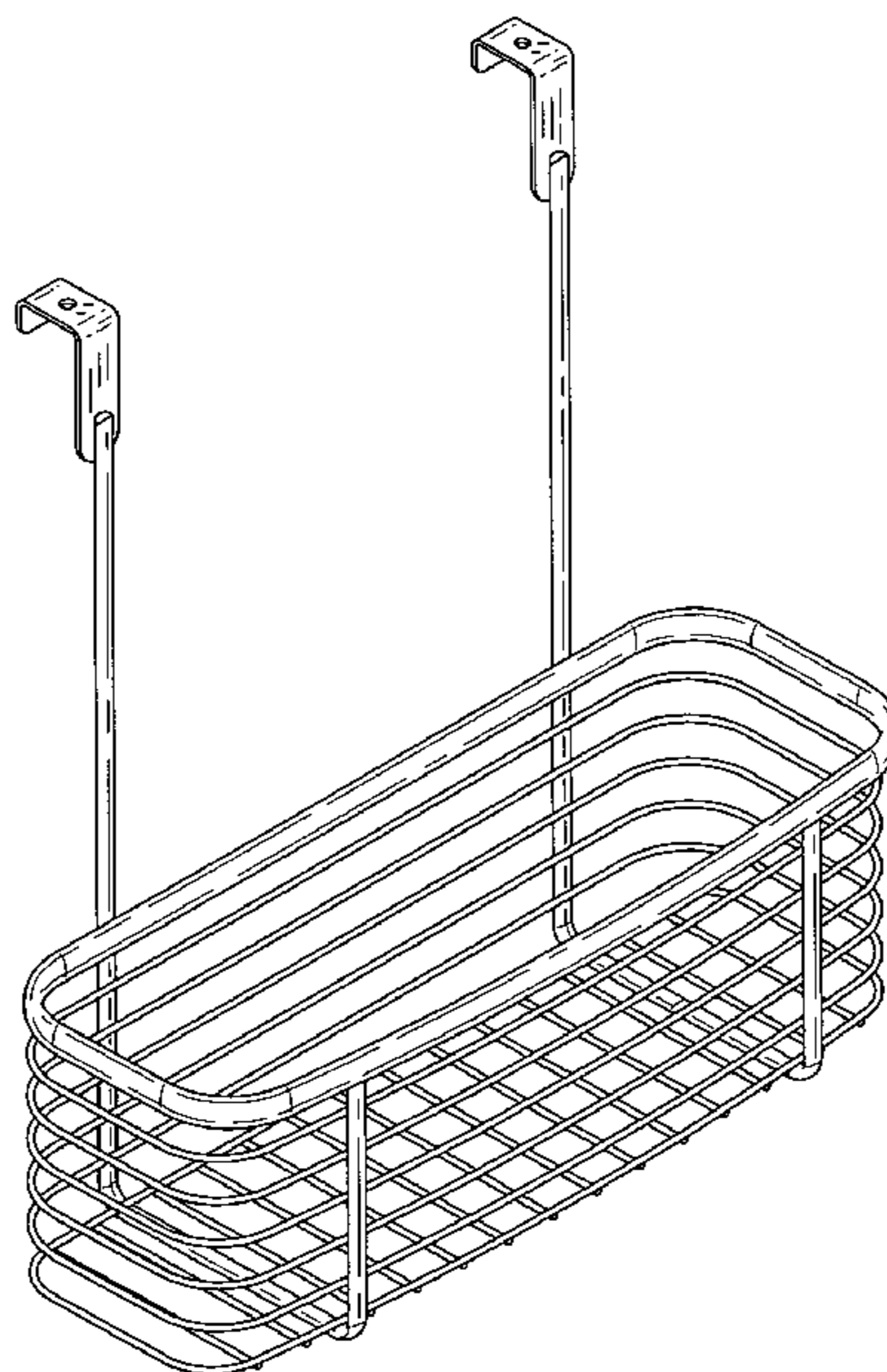
FIG. 4 is a side view of the over the cabinet basket as shown in FIG. 1;

FIG. 5 is a rear view of the over the cabinet basket as shown in FIG. 1;

FIG. 6 is a side view of the over the cabinet basket as shown in FIG. 1, shown from the opposite side as that shown in FIG. 4; and,

FIG. 7 is a bottom view of the over the cabinet basket as shown in FIG. 1.

1 Claim, 3 Drawing Sheets



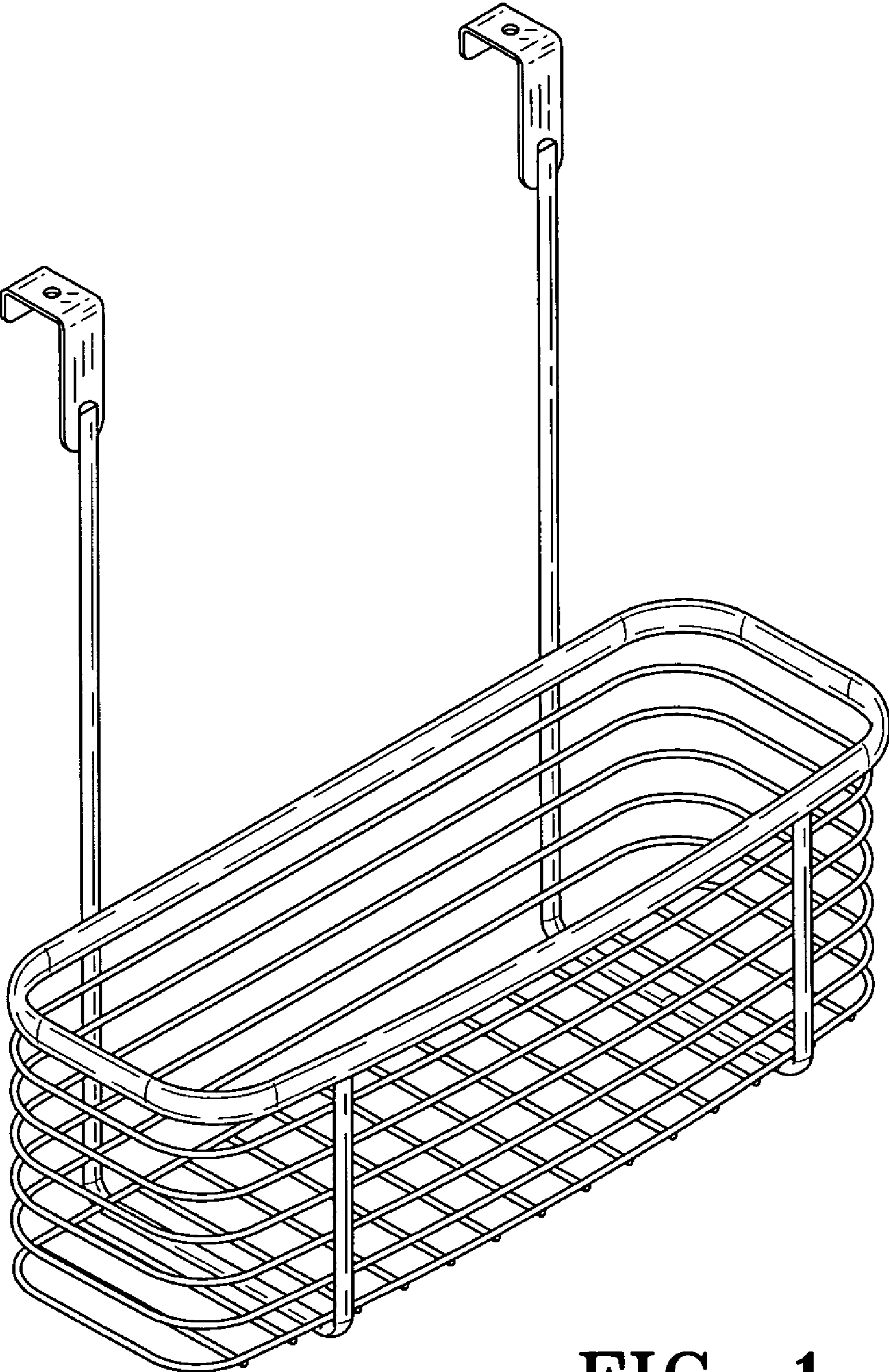


FIG-1

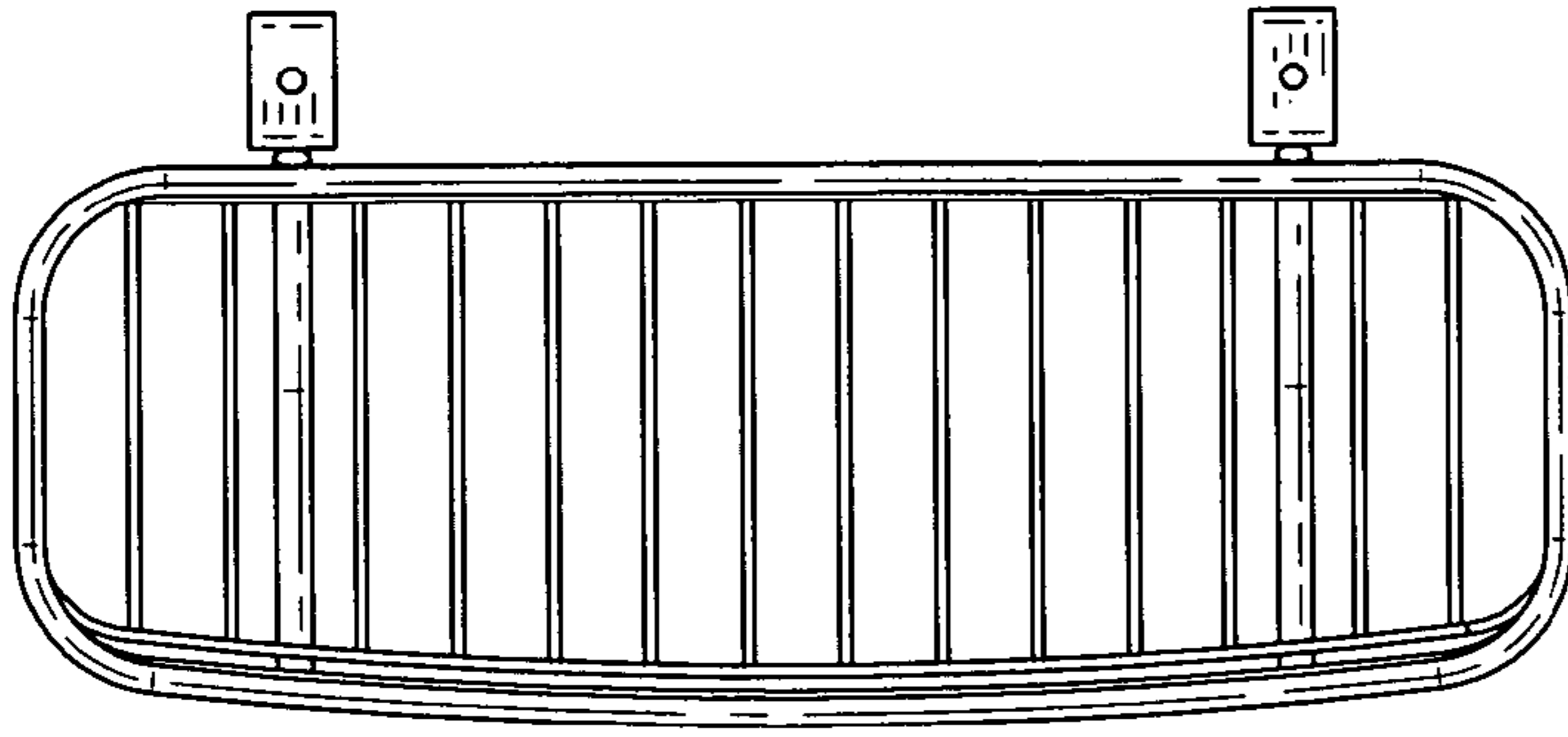


FIG-2

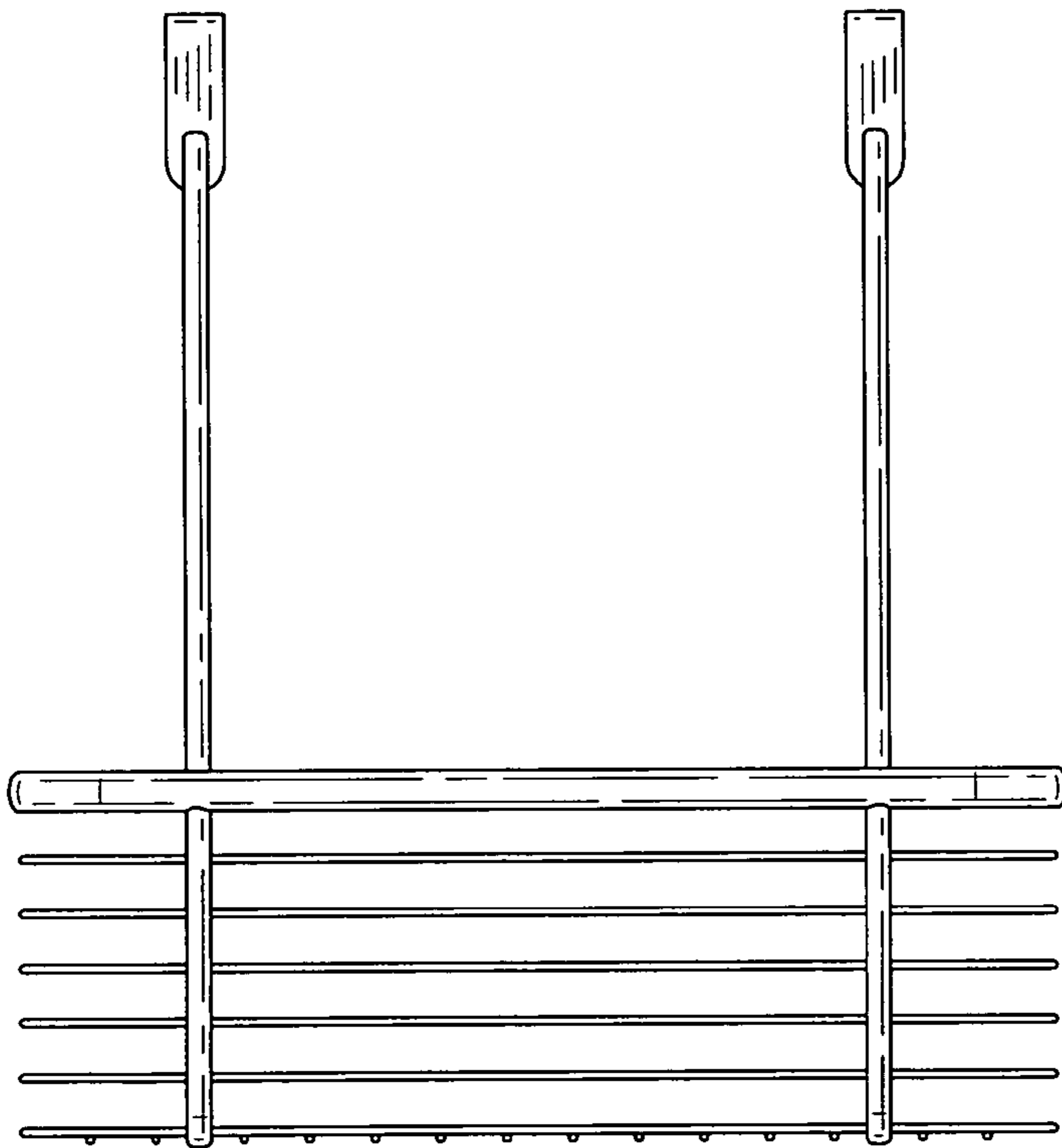


FIG-3

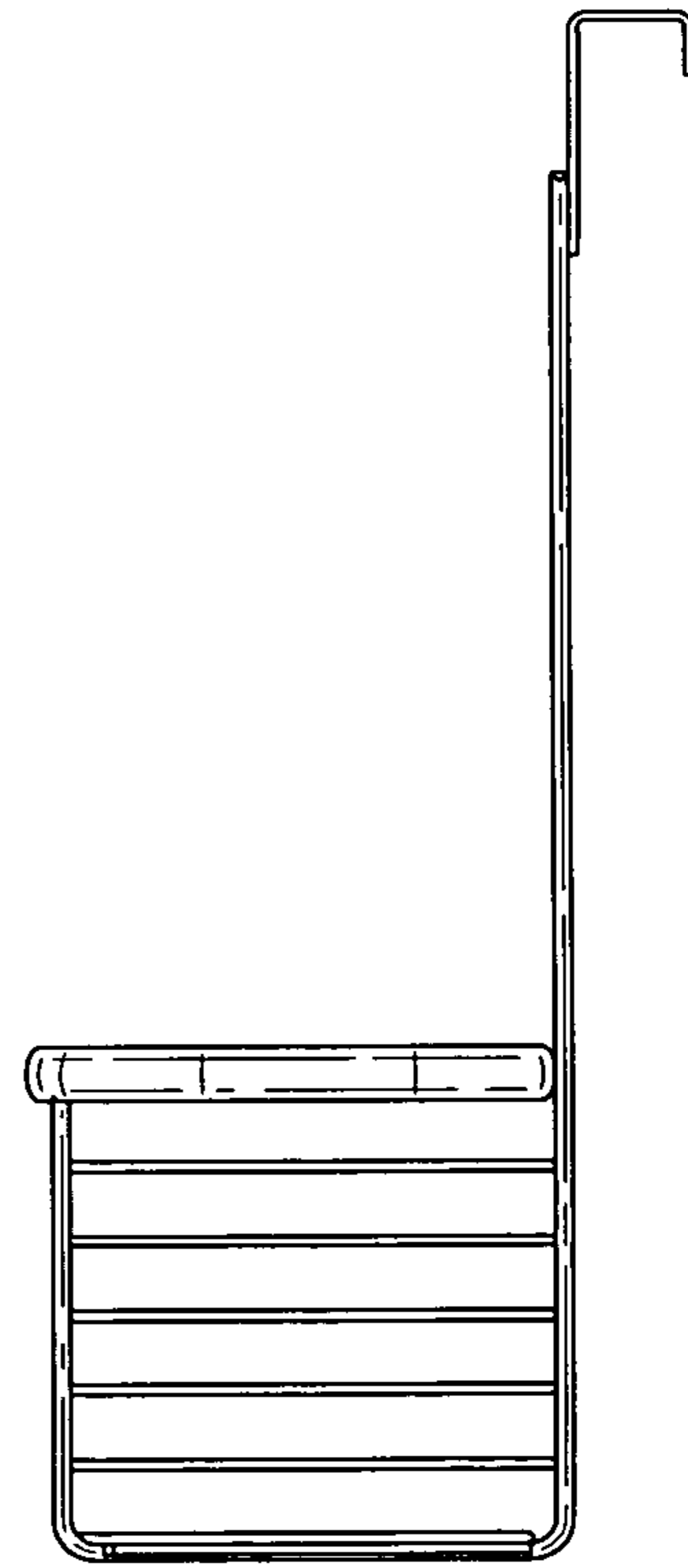


FIG-4

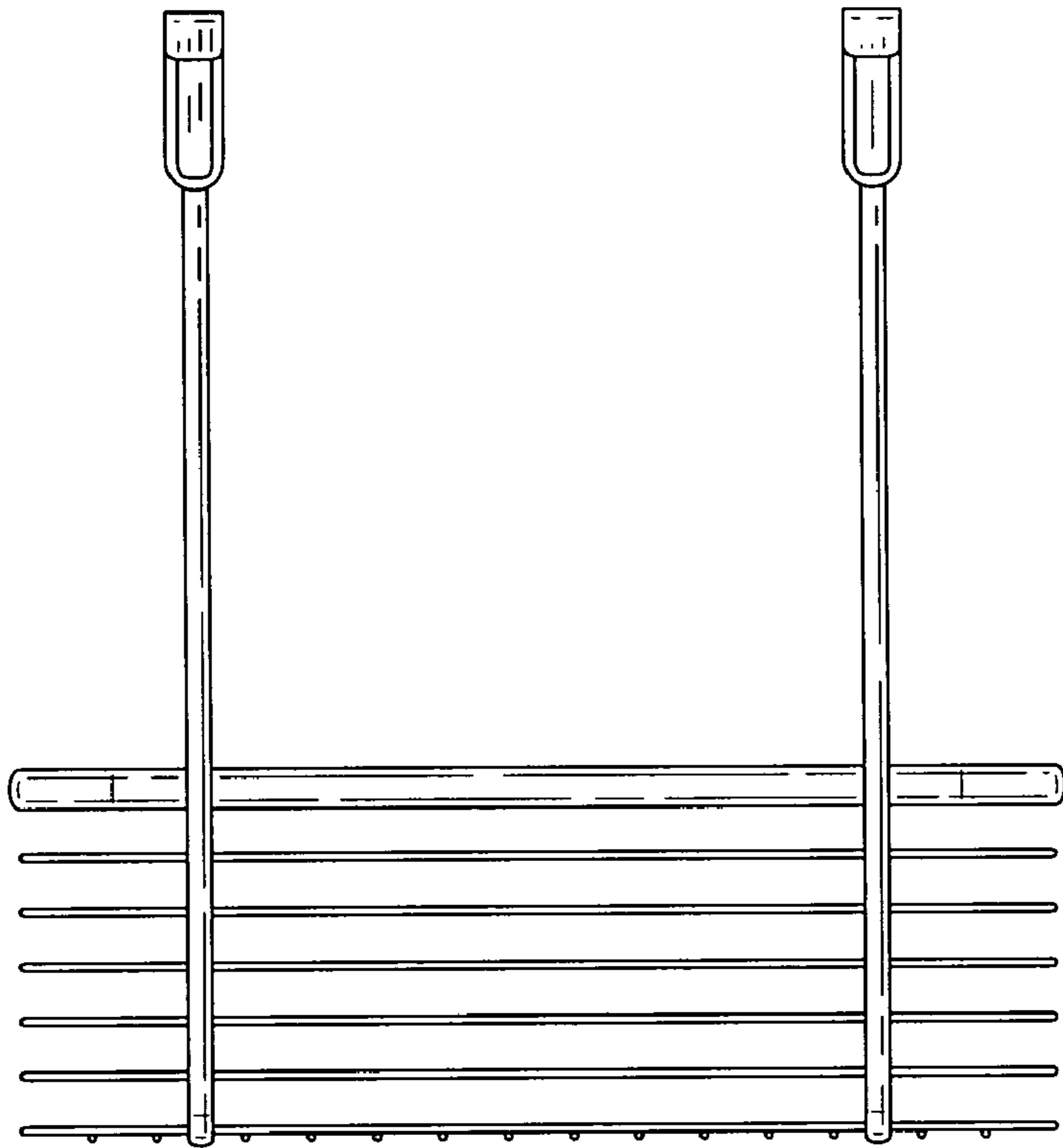


FIG-5

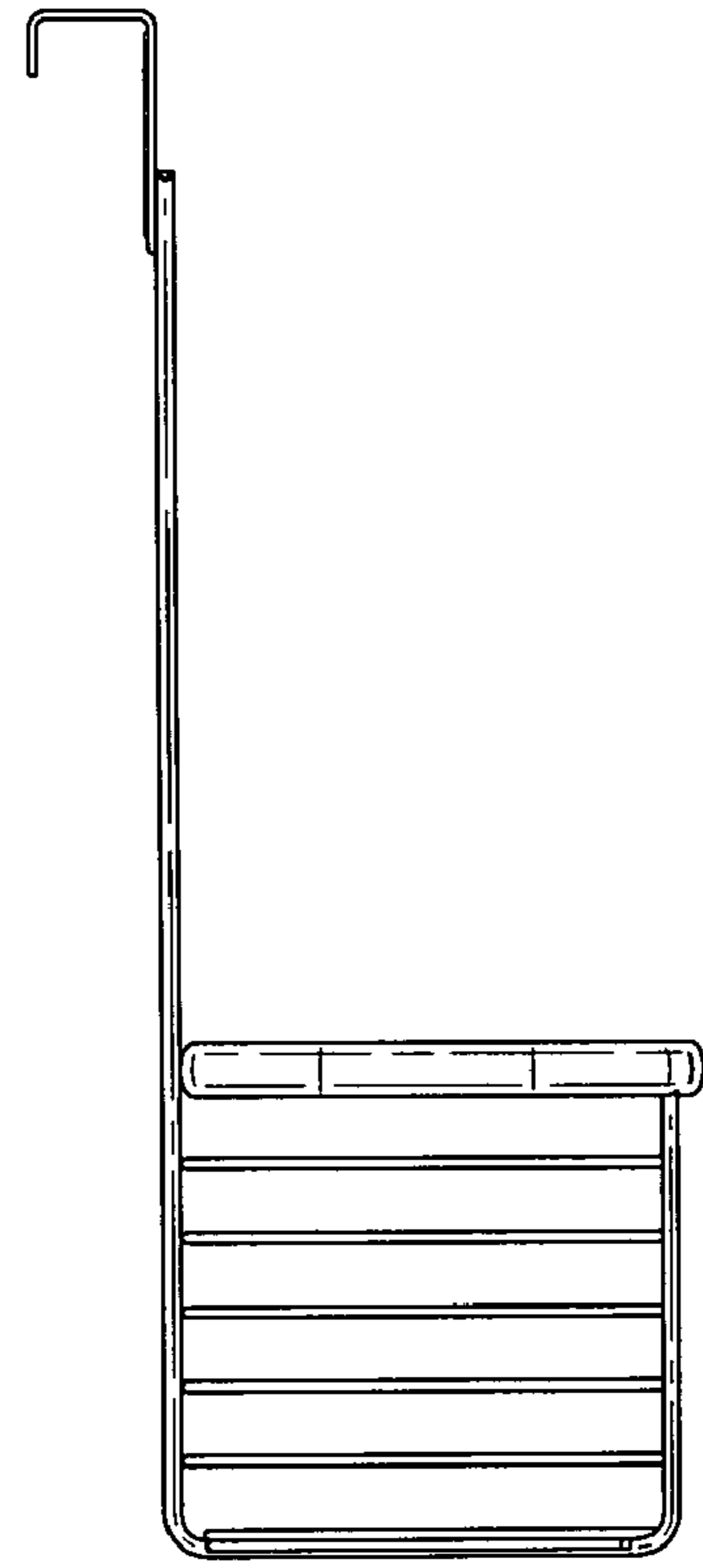


FIG-6

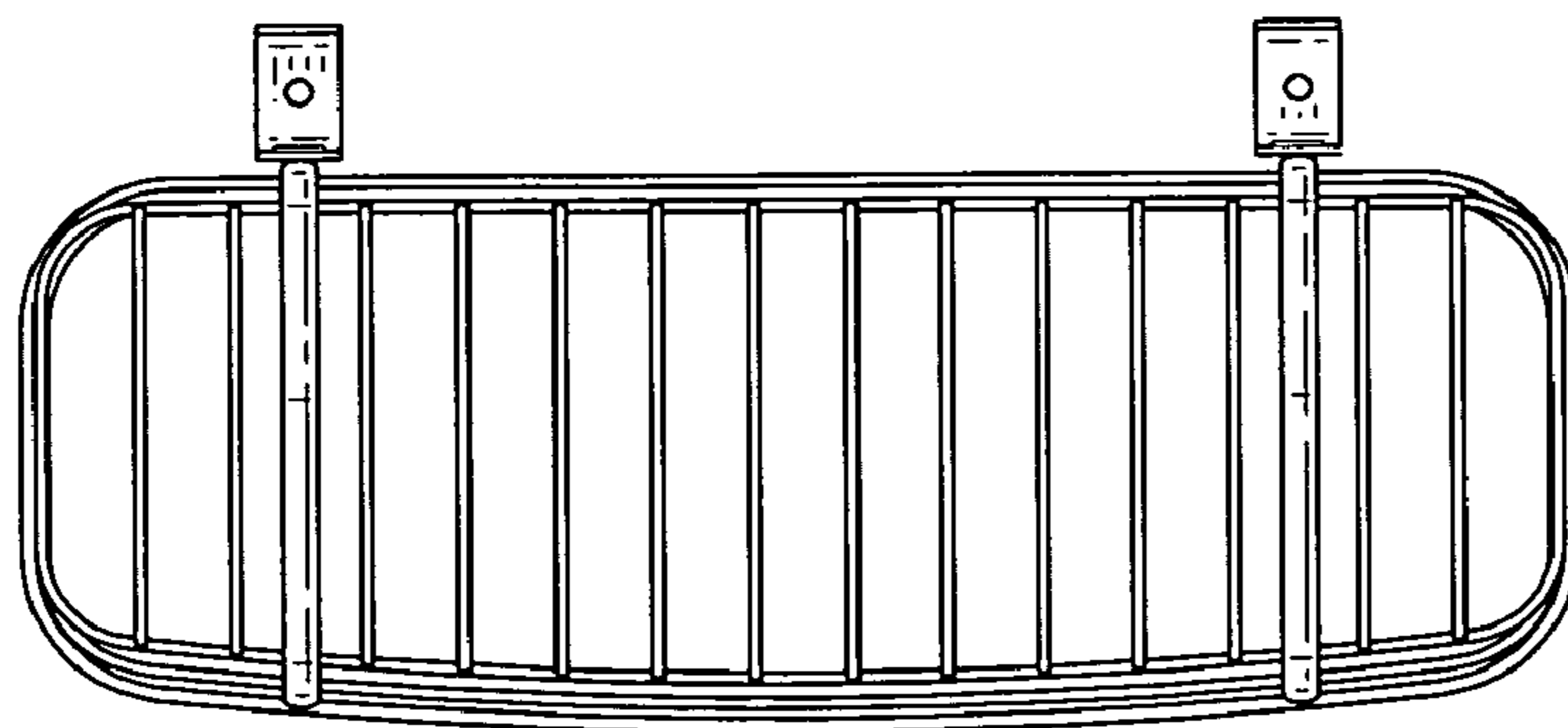


FIG-7