



US00D588811S

(12) **United States Design Patent**  
**Wenchel et al.**

(10) **Patent No.:** **US D588,811 S**  
(45) **Date of Patent:** **\*\* Mar. 24, 2009**

- (54) **TOOL BIT CONTAINER**
- (75) Inventors: **Lauren M. Wenchel**, Bel Air, MD (US);  
**Gabriel E. Concari**, Eldersburg, MD (US)
- (73) Assignee: **Black & Decker Inc.**, Newark, DE (US)
- (\*\*) Term: **14 Years**
- (21) Appl. No.: **29/308,165**
- (22) Filed: **May 30, 2008**
- (51) **LOC (9) Cl.** ..... **03-01**
- (52) **U.S. Cl.** ..... **D3/295; D3/905**
- (58) **Field of Classification Search** ..... D3/201,  
D3/228, 273, 282–284, 286, 294–295, 315,  
D3/905; D9/424–426; D28/83; 206/349,  
206/372–377, 379

See application file for complete search history.

(56) **References Cited**  
U.S. PATENT DOCUMENTS

- 416,425 A 12/1889 Schmitt
- 1,699,765 A 1/1929 Staples
- 2,547,991 A 4/1951 Witbrod
- D294,775 S \* 3/1988 Rechberg ..... D3/279
- 4,805,820 A 2/1989 Kearney et al.
- 4,884,689 A 12/1989 Su-Chin
- 4,934,549 A 6/1990 Allen
- 4,964,526 A 10/1990 Stephens
- 5,351,818 A 10/1994 Daneshvar
- D364,960 S 12/1995 Whear
- D370,781 S 6/1996 Vasudeva
- D400,011 S 10/1998 Palmer et al.
- D404,917 S 2/1999 Miller et al.
- 5,921,383 A 7/1999 Shefler et al.
- 5,950,296 A 9/1999 Tatsumi et al.
- D419,297 S 1/2000 Richardson et al.
- D419,768 S 2/2000 Richardson et al.
- D431,360 S 10/2000 Fang
- 6,240,989 B1 6/2001 Masoud
- D449,442 S 10/2001 Snider
- D477,714 S 7/2003 Cunningham et al.

- D481,868 S 11/2003 Cunningham et al.
- D502,316 S 3/2005 Chen
- D505,068 S 5/2005 Cunningham et al.
- D509,960 S \* 9/2005 Yeung ..... D3/294
- 6,994,214 B2 \* 2/2006 Yang ..... 206/379
- 7,048,133 B2 5/2006 Pangerc et al.
- D527,523 S 9/2006 Cornwell et al.
- D529,289 S \* 10/2006 Roesler ..... D3/294
- D530,092 S \* 10/2006 Roesler ..... D3/294
- D542,032 S \* 5/2007 Williams et al. .... D3/269
- D555,357 S 11/2007 Hsieh
- D555,902 S \* 11/2007 Pendergraph et al. .... D3/273
- D563,102 S 3/2008 Cornwell et al.
- D563,670 S 3/2008 Cornwell et al.
- D572,479 S \* 7/2008 Buck et al. .... D3/282
- D572,480 S \* 7/2008 Buck et al. .... D3/294
- 2005/0045628 A1 3/2005 Chan
- 2008/0078684 A1 \* 4/2008 Lin ..... 206/372

FOREIGN PATENT DOCUMENTS

DE 9501466.7 2/1995

(Continued)

*Primary Examiner*—Philip S Hyder  
*Assistant Examiner*—Roselynn Cody  
(74) *Attorney, Agent, or Firm*—Scott B. Markow

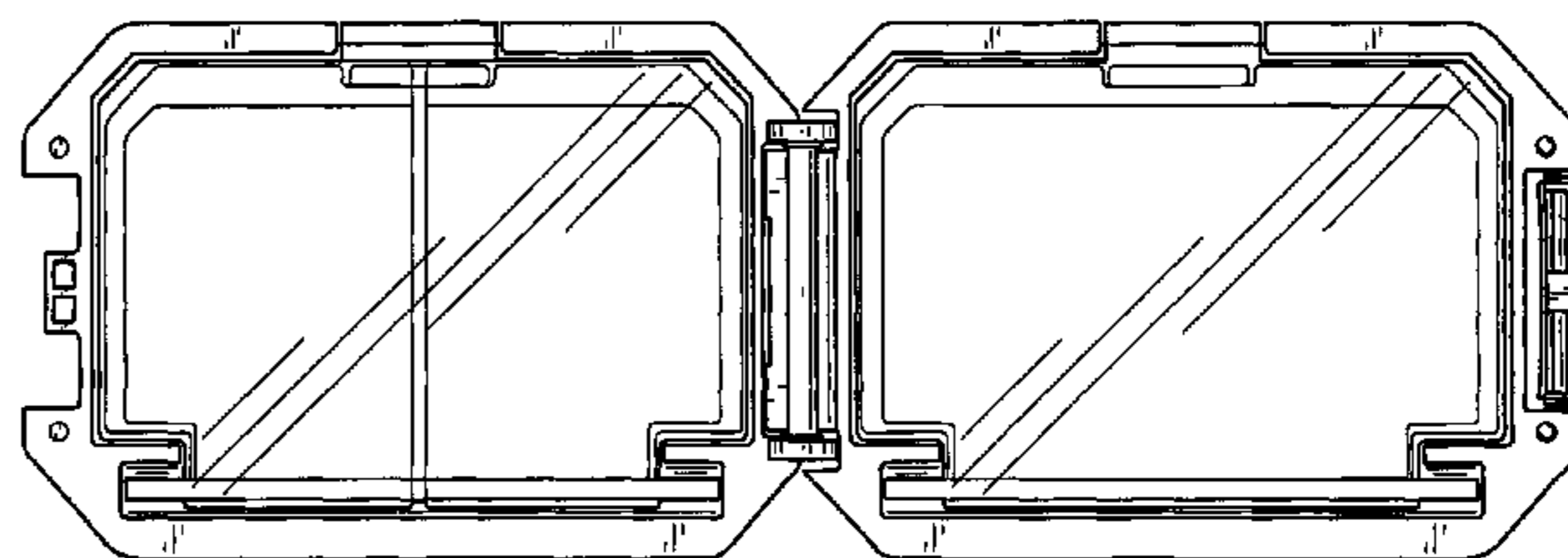
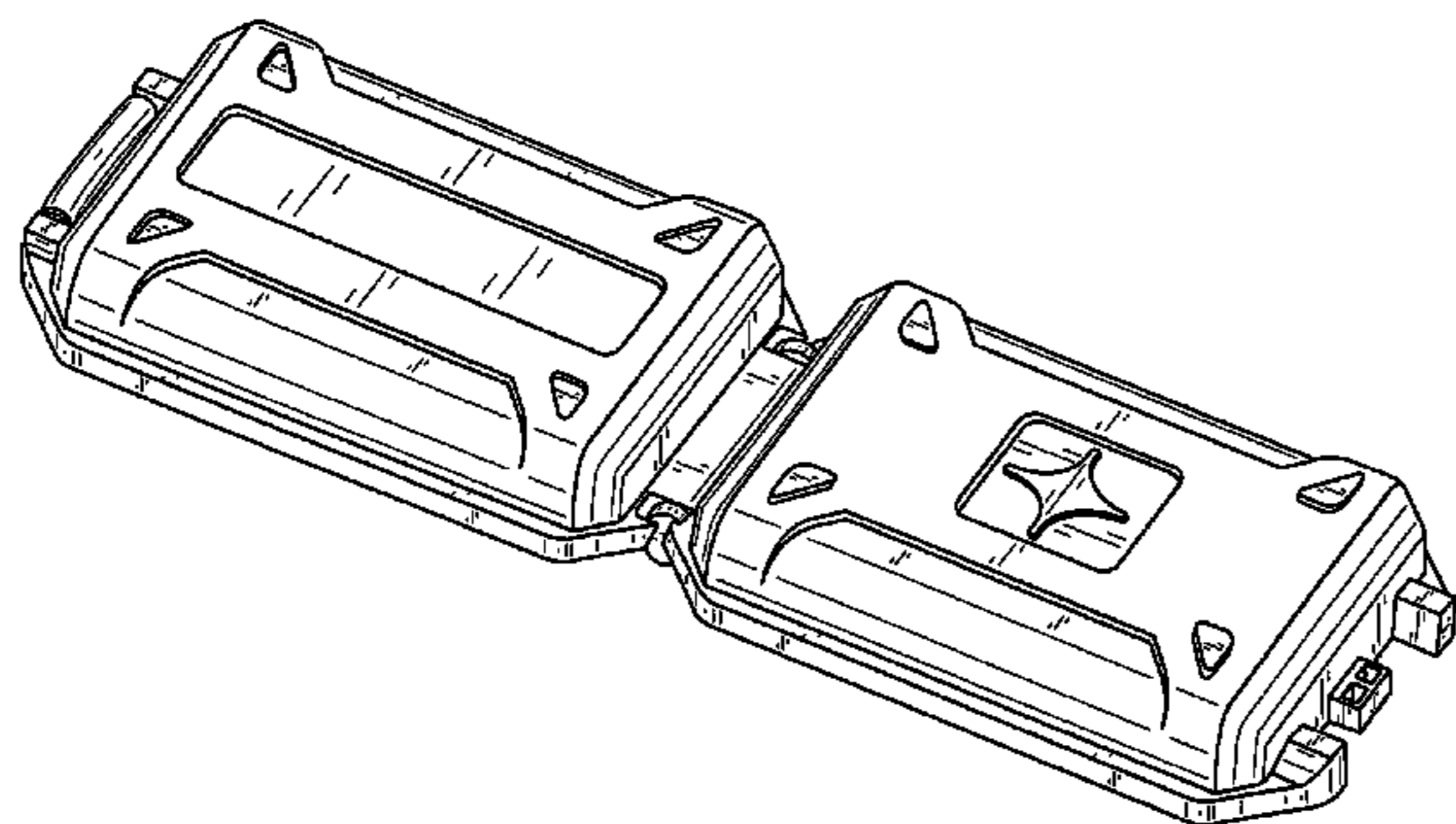
(57) **CLAIM**

The ornamental design for a tool bit container, as shown and described.

**DESCRIPTION**

FIG. 1 is a top/front/right perspective view of the tool bit container in an open configuration.  
FIG. 2 is a top view thereof.  
FIG. 3 is a bottom view thereof.  
FIG. 4 is a right view thereof.  
FIG. 5 is a left view thereof.  
FIG. 6 is a rear view thereof.  
FIG. 7 is a front view thereof; and,  
FIG. 8 is a bottom/rear/left perspective view thereof.

**1 Claim, 6 Drawing Sheets**



# US D588,811 S

Page 2

---

FOREIGN PATENT DOCUMENTS					
			EP	057302	7/2001
			EP	060574	4/2002
			EP	061428	8/2002
DE	9602094.6	3/1996	EP	000202346-0001	9/2004
DE	9704557.8	5/1997	EP	000301593-001	5/2005
DE	49811037.0	10/1998	EP	000381074-0001	9/2005
DE	49907161.1	7/1999	EP	00031771-0001	11/2007
DE	40300517.5	1/2003	EP	000865951-0001	1/2008
DE	40301247.3	2/2003			
DE	40301899.4	3/2003			

\* cited by examiner

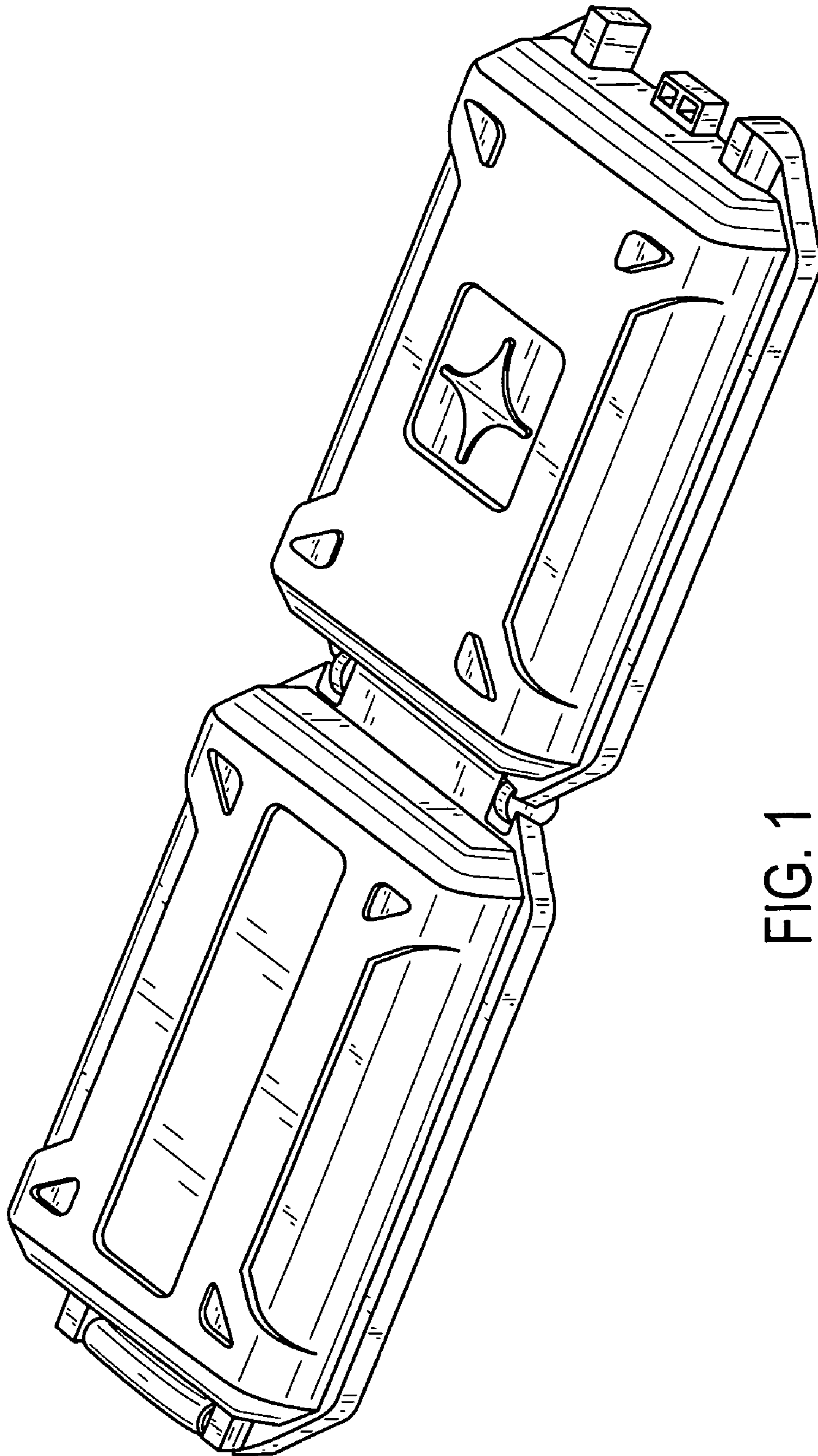


FIG. 1

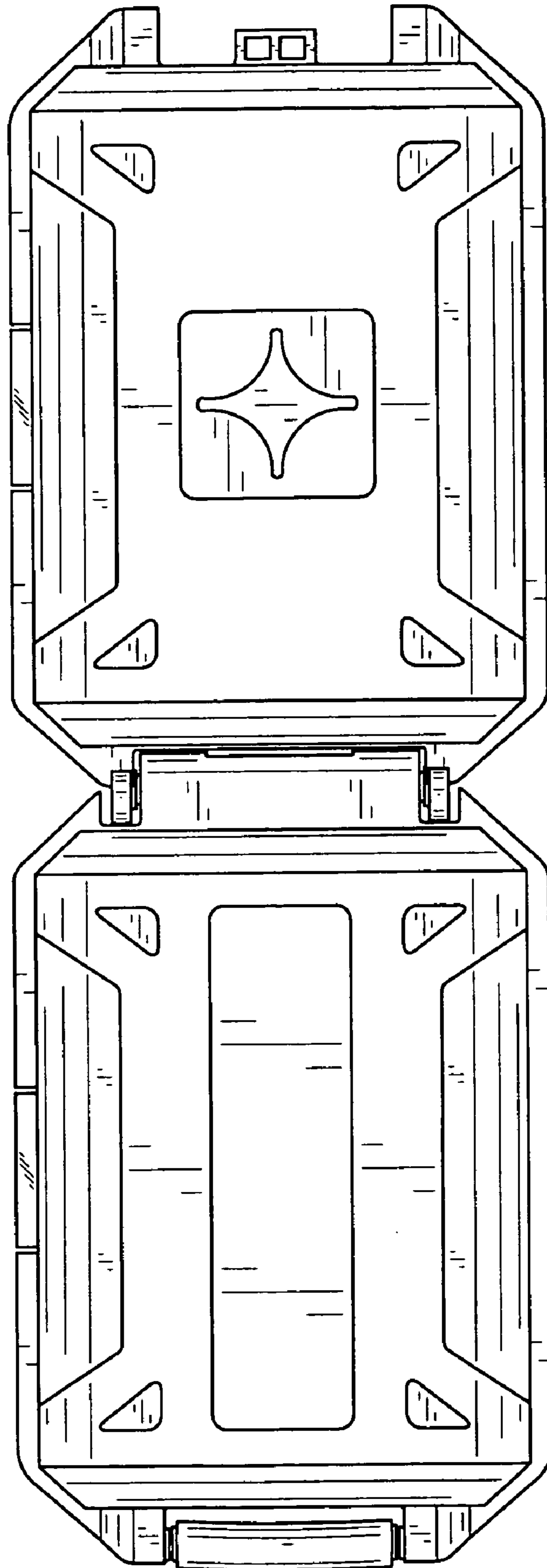


FIG. 2

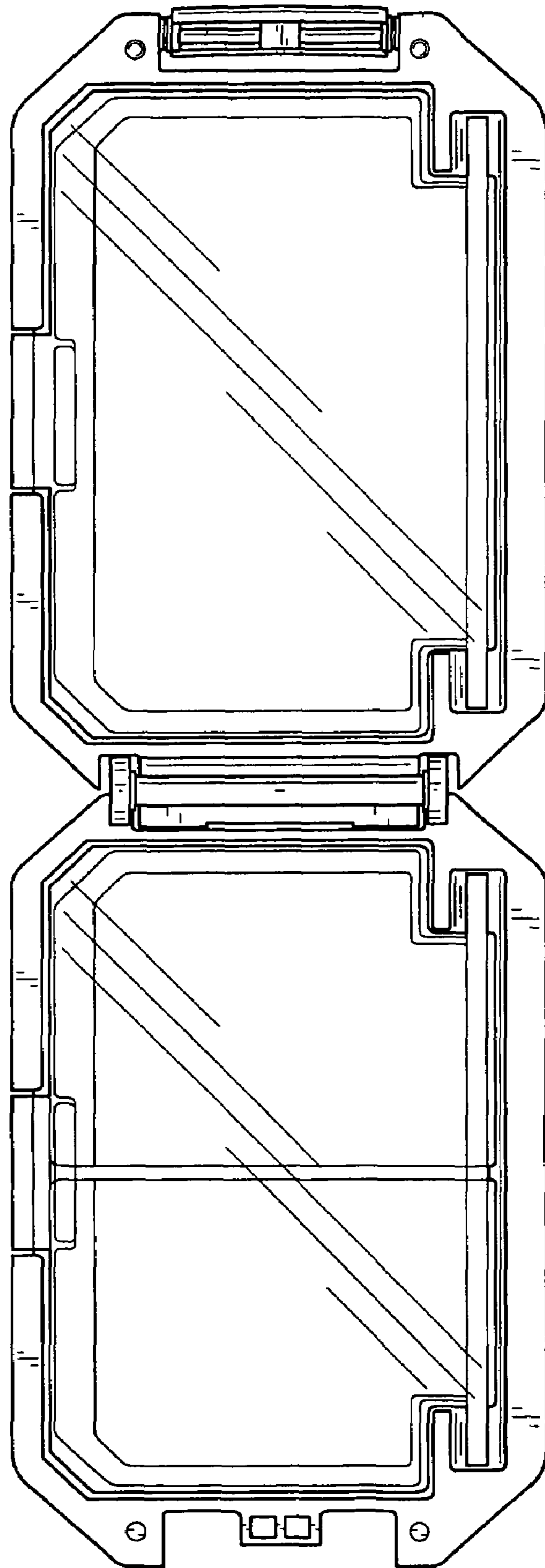


FIG. 3

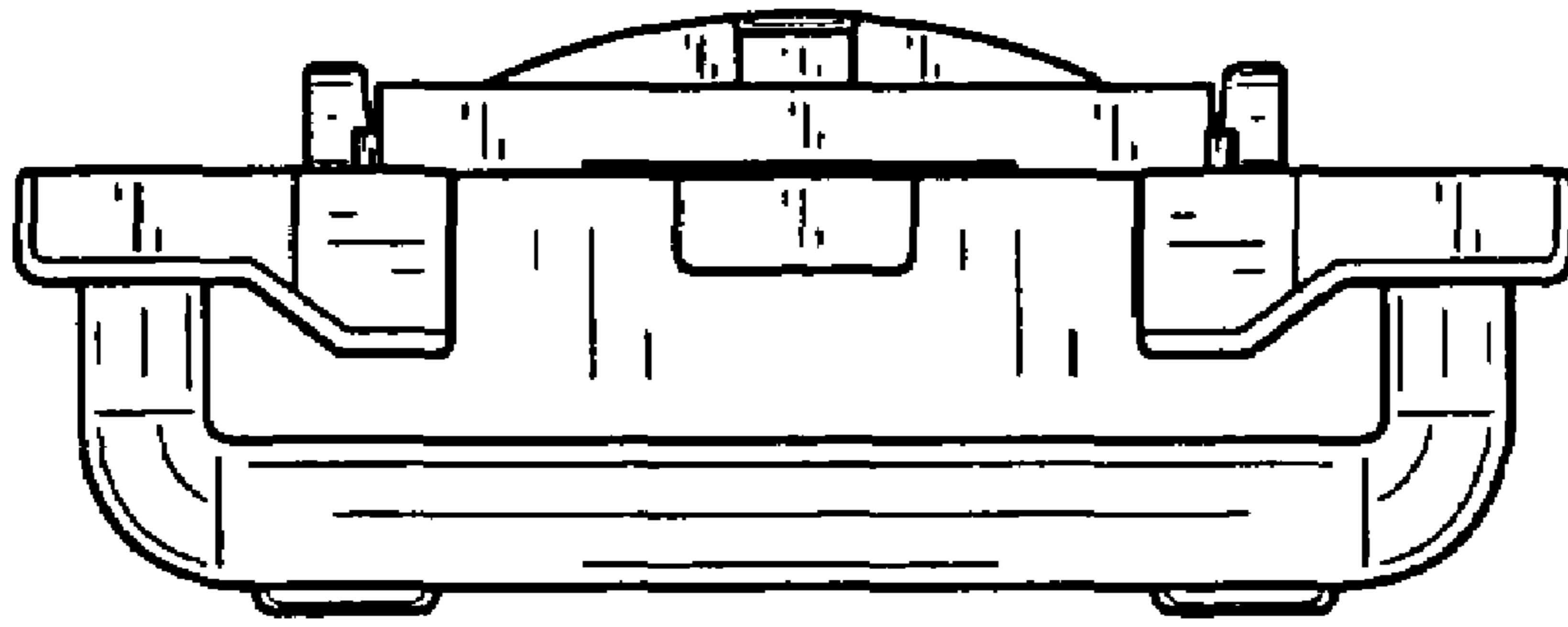


FIG. 5

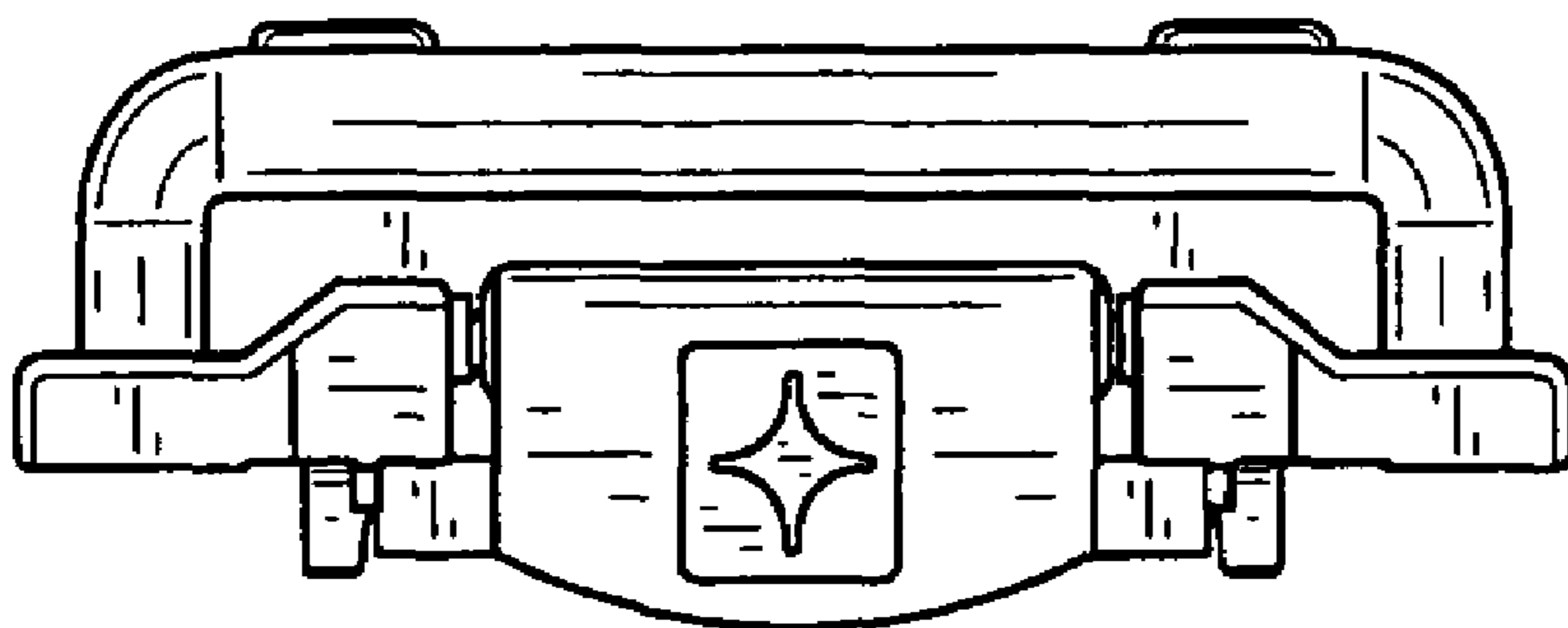


FIG. 4

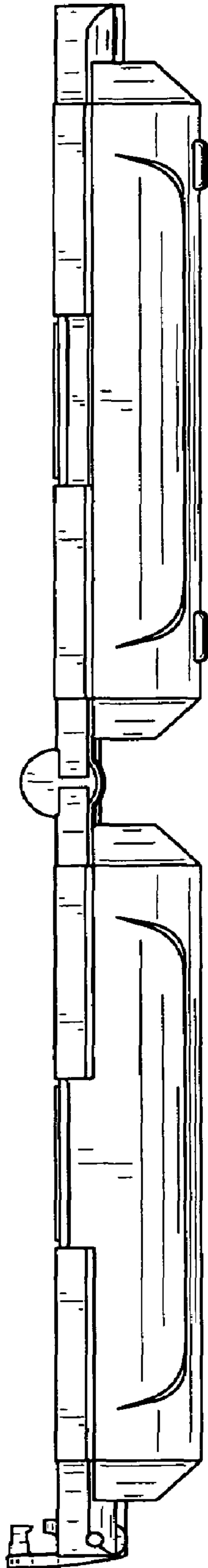


FIG. 6

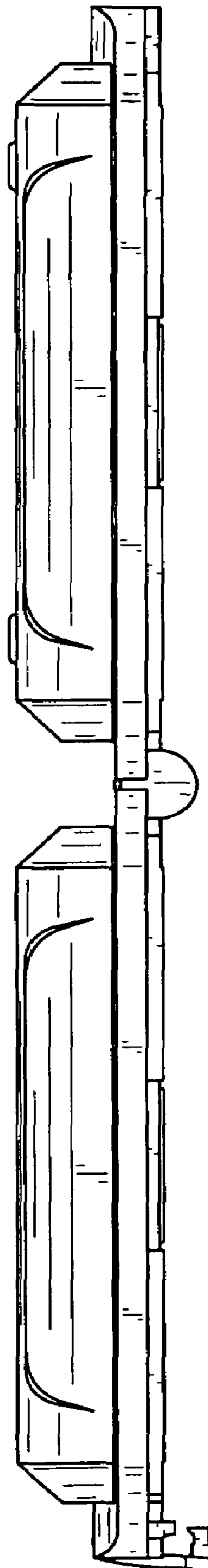


FIG. 7

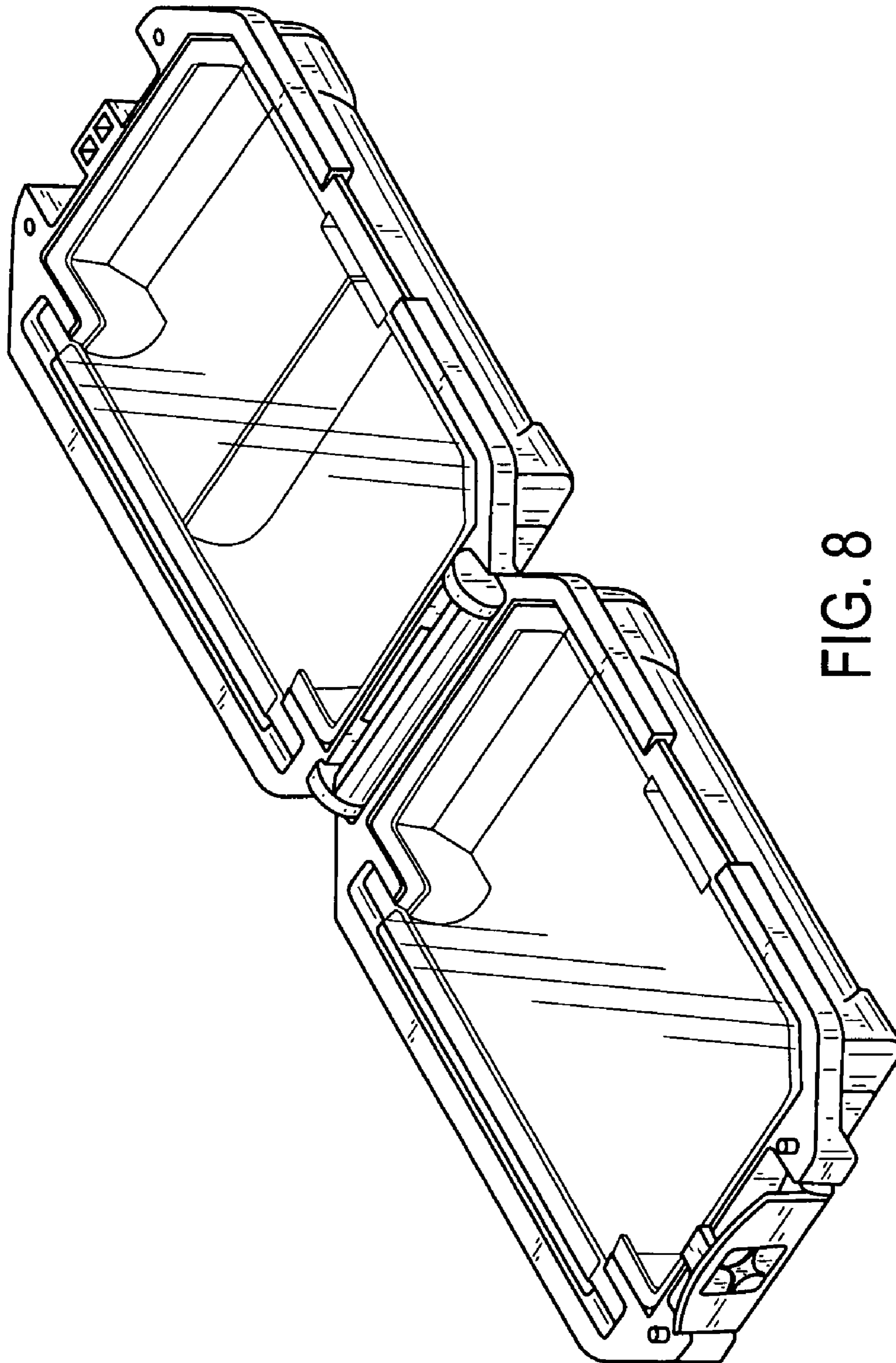


FIG. 8