



US00D588810S

(12) **United States Design Patent**
Rowlett et al.

(10) **Patent No.:** **US D588,810 S**

(45) **Date of Patent:** **** Mar. 24, 2009**

(54) **TOOLBOX**

(75) Inventors: **Don C. Rowlett**, Bedford, PA (US);
Cary D. Ritchey, Roaring Springs, PA
(US)

(73) Assignee: **Kennametal Inc.**, Latrobe, PA (US)

(**) Term: **14 Years**

(21) Appl. No.: **29/288,884**

(22) Filed: **Jun. 26, 2007**

(51) **LOC (9) Cl.** **03-01**

(52) **U.S. Cl.** **D3/291; D3/905**

(58) **Field of Classification Search** D3/273-274,
D3/276, 282, 291, 294, 295, 905; D9/432;
206/372, 373, 377-379; 220/4.21-4.24
See application file for complete search history.

(56) **References Cited**

U.S. PATENT DOCUMENTS

D326,815 S *	6/1992	Meisner et al.	D9/424
D329,747 S *	9/1992	Embree	D3/294
D378,874 S *	4/1997	Dickinson et al.	D3/281
D381,512 S *	7/1997	Green	D3/294
D389,309 S *	1/1998	Shaw	D3/294
D462,168 S *	9/2002	Klemmensen et al.	D3/276
D527,522 S *	9/2006	Kammerer	D3/291

* cited by examiner

Primary Examiner—Raphael Barkai

Assistant Examiner—Randall H Gholson

(74) *Attorney, Agent, or Firm*—Matthew W. Smith

(57) **CLAIM**

The ornamental design for a toolbox, as shown and described.

DESCRIPTION

FIG. 1 is a front perspective view of a toolbox showing our design.

FIG. 2 is a back perspective view of the toolbox of FIG. 1;

FIG. 3 is a front view of the toolbox of FIG. 1;

FIG. 4 is a back view of the toolbox of FIG. 1;

FIG. 5 is a side view of the toolbox of FIG. 1;

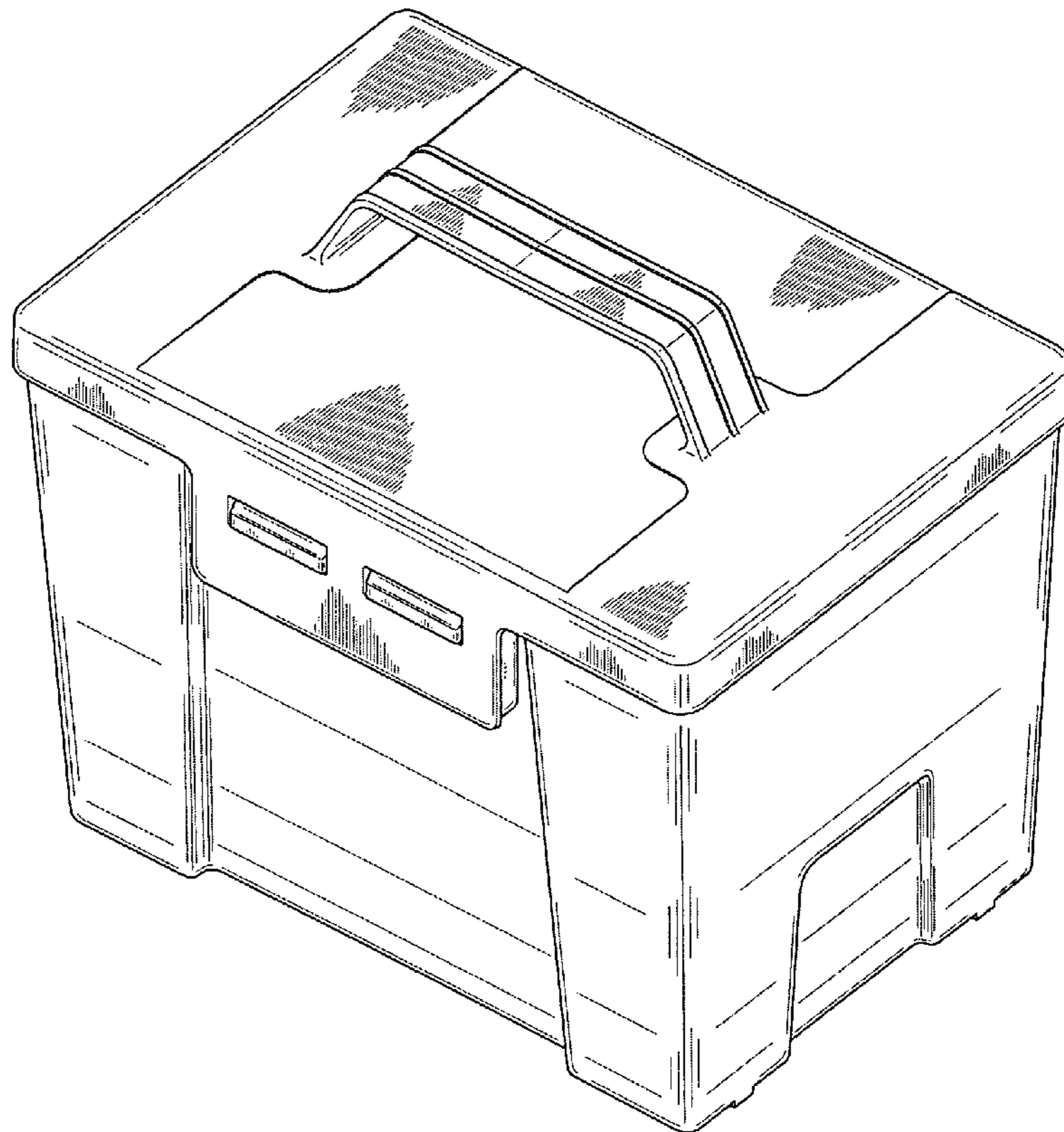
FIG. 6 is a side view, opposite the side view shown in FIG. 5, of the toolbox, as shown in FIG. 1;

FIG. 7 is a bottom view of the toolbox of FIG. 1; and,

FIG. 8 is a top view of the toolbox of FIG. 1.

The broken line showing of a feature on the bottom of the toolbox is included for the purpose of illustration and forms no part of the claimed design.

1 Claim, 8 Drawing Sheets



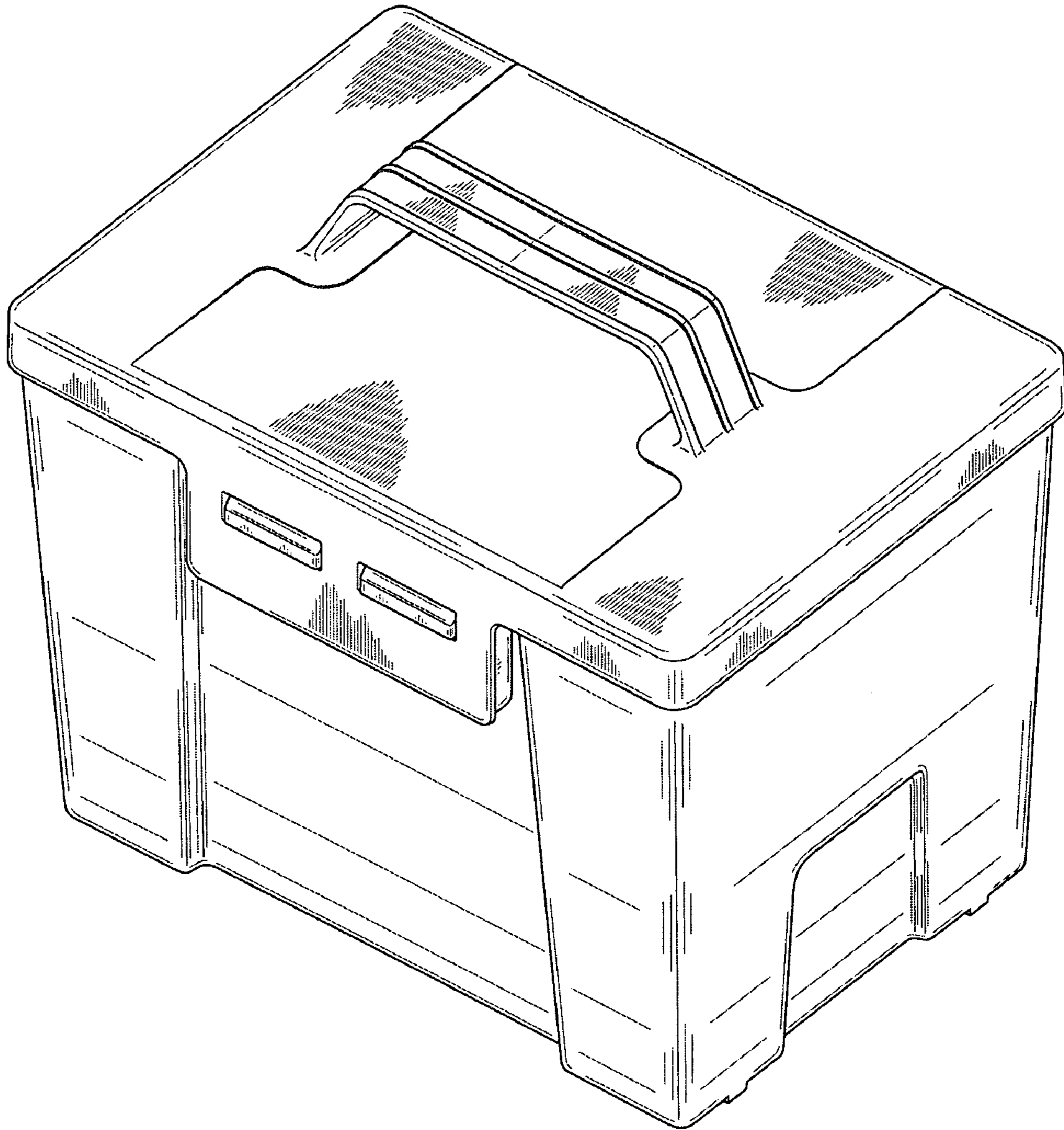


FIG. 1

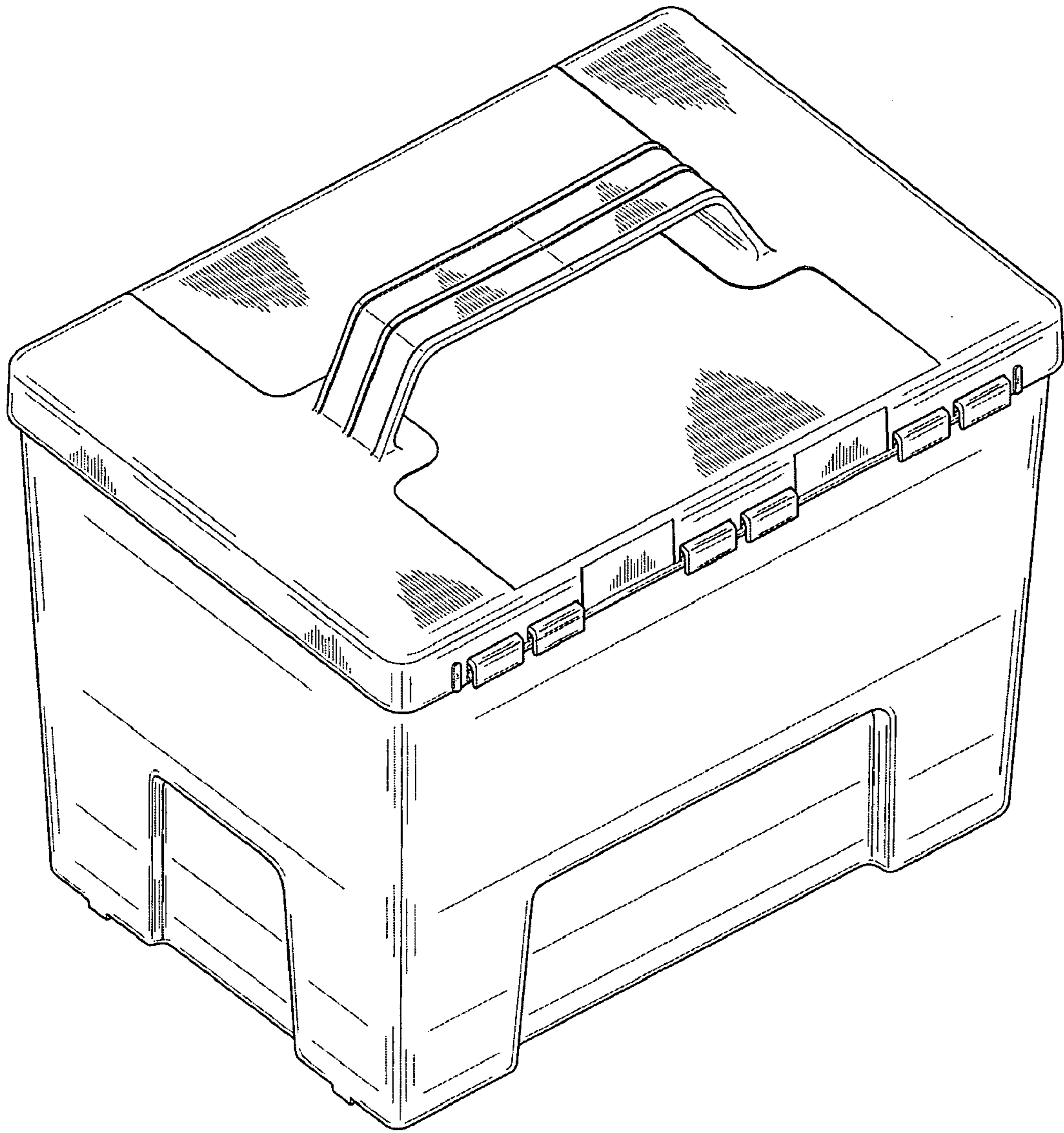


FIG. 2

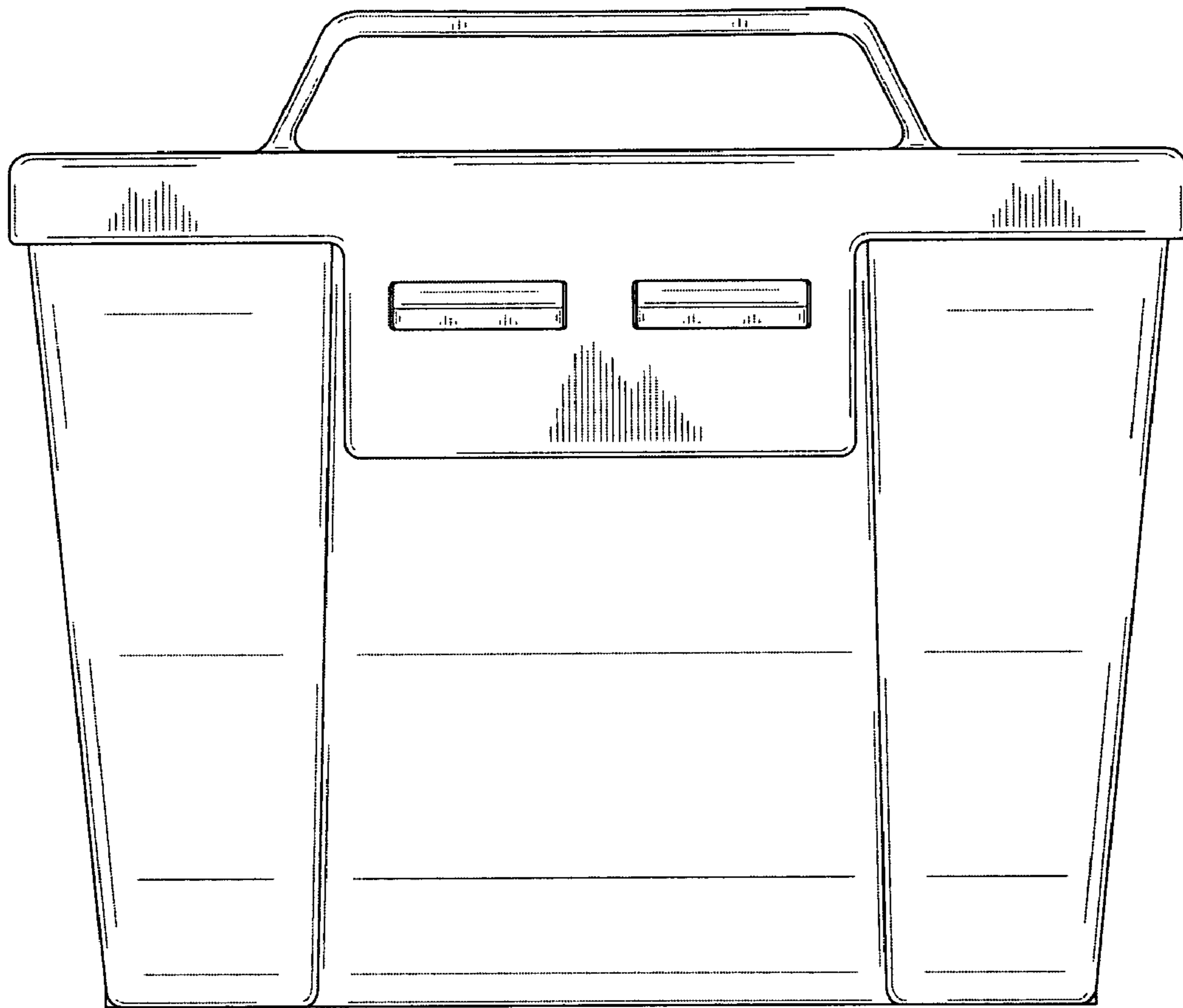


FIG. 3

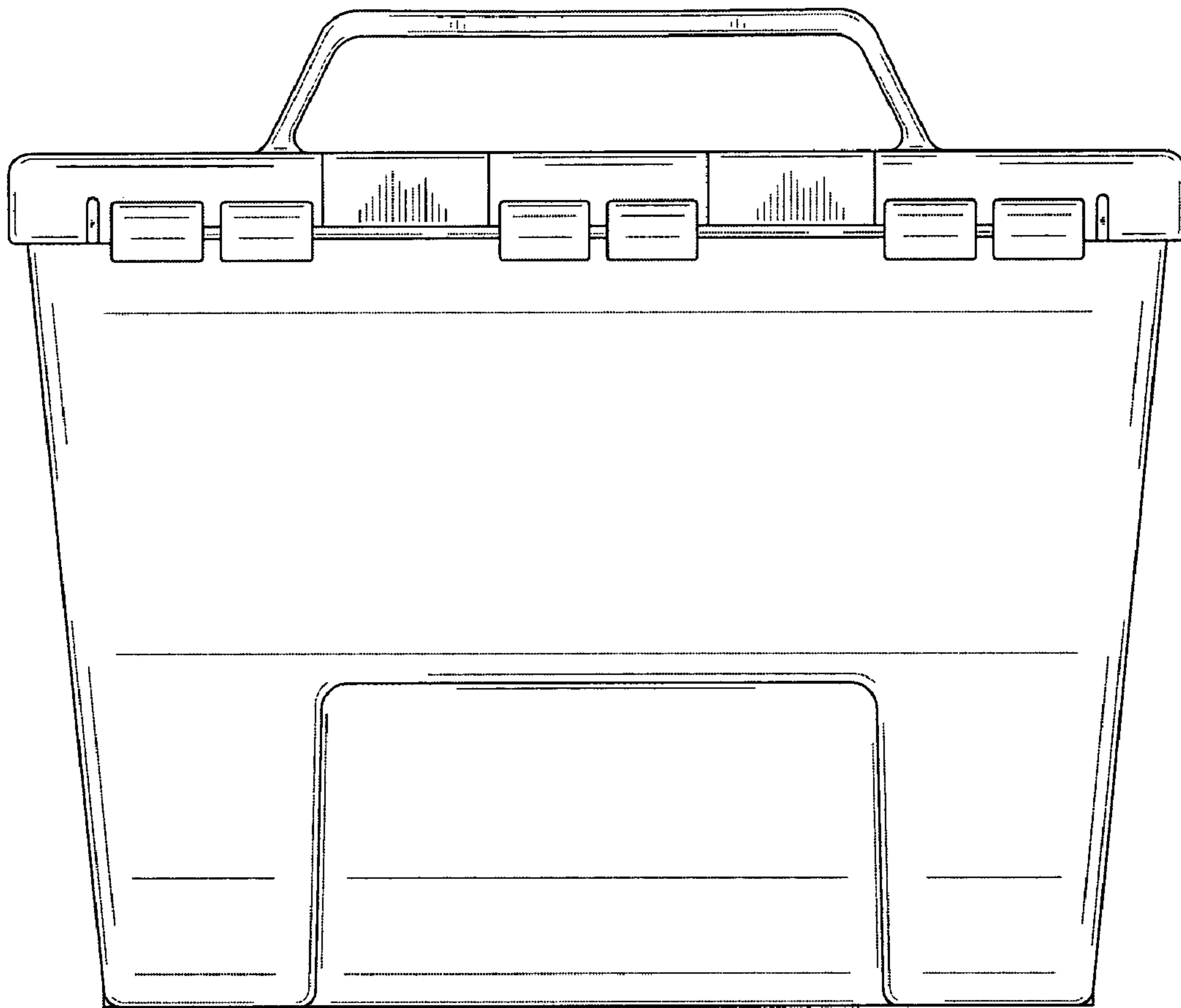


FIG. 4

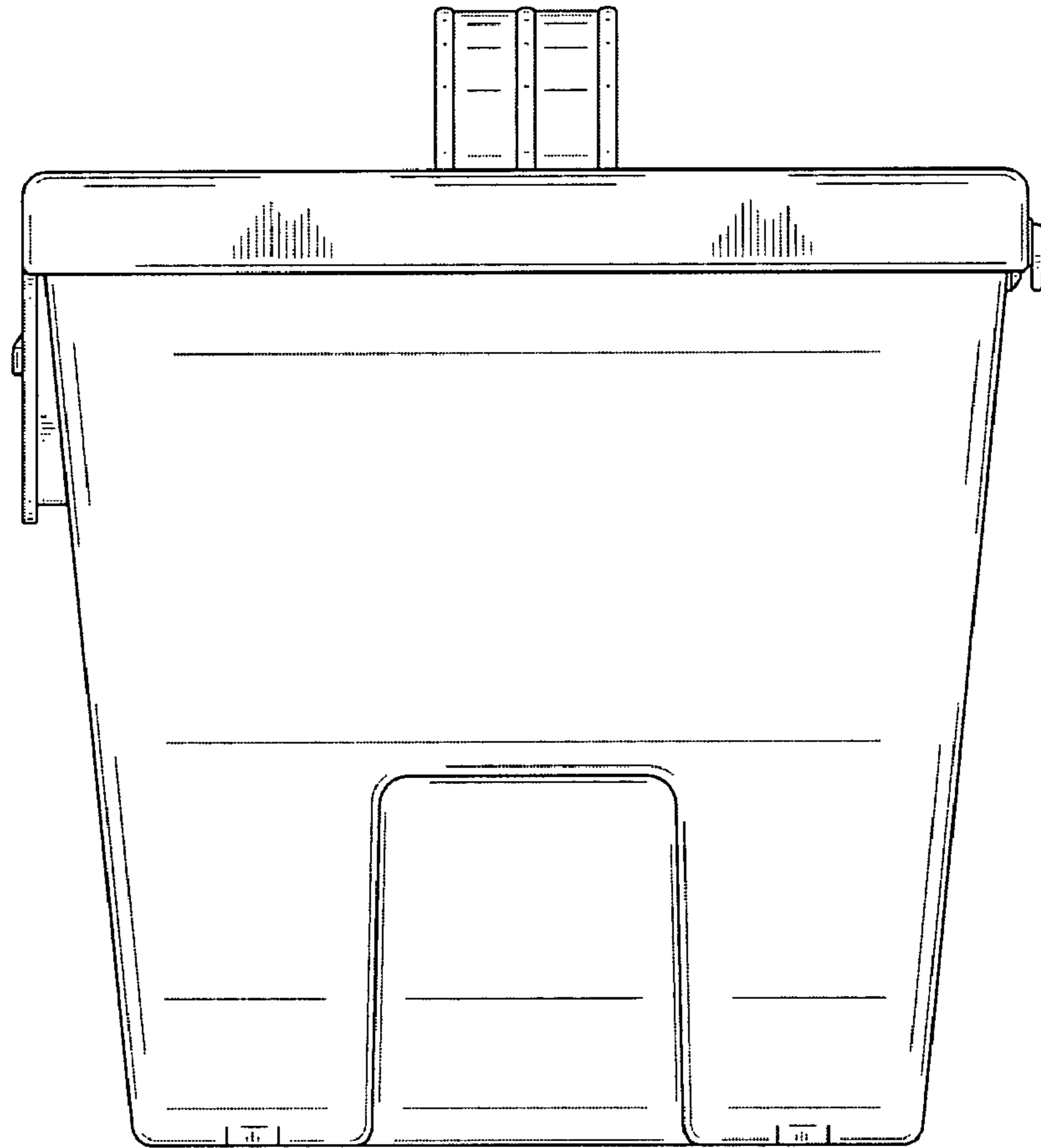


FIG. 5

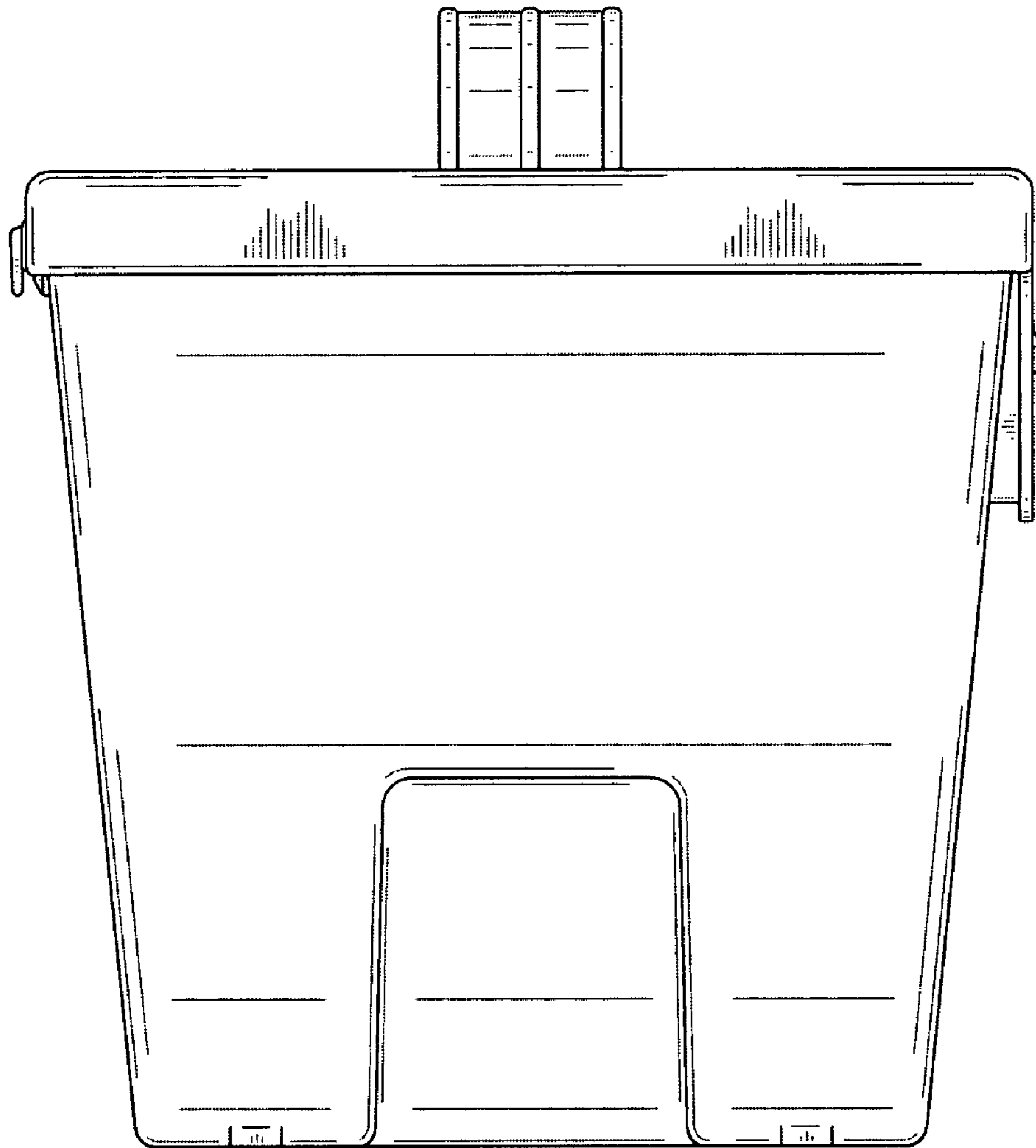


FIG. 6

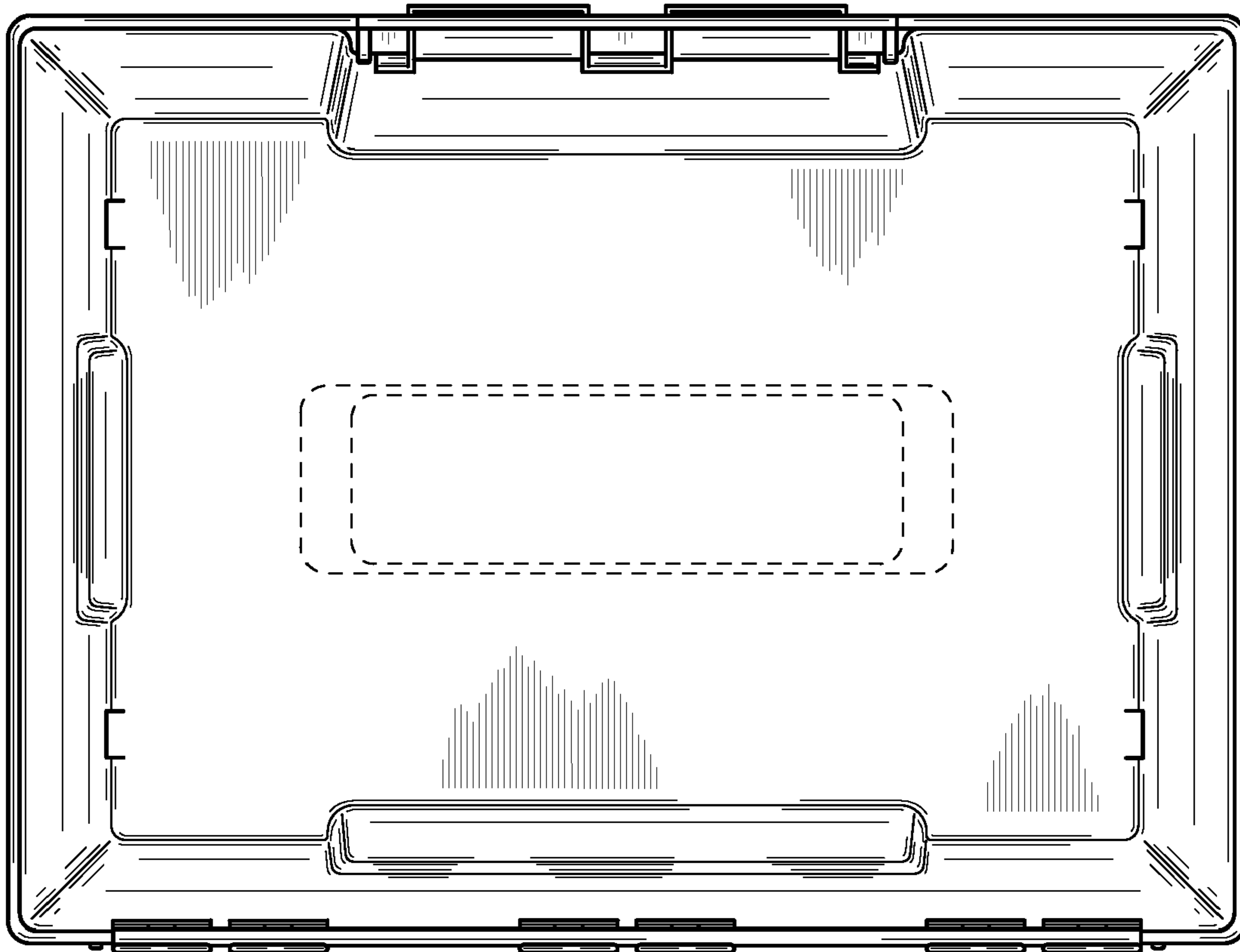


FIG. 7

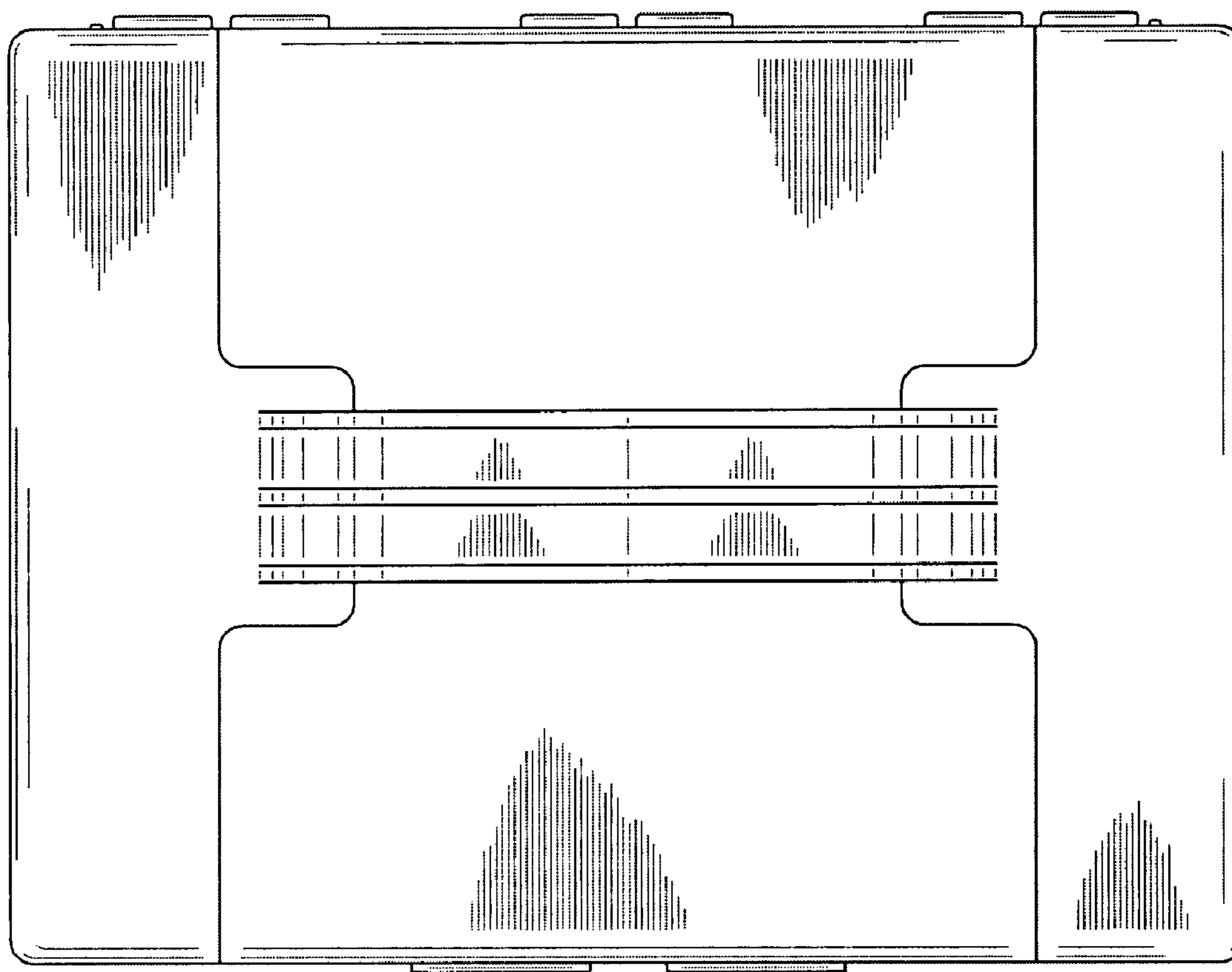


FIG. 8