



US00D588809S

(12) **United States Design Patent**  
**Shor et al.**

(10) **Patent No.:** **US D588,809 S**  
(45) **Date of Patent:** **\*\* Mar. 24, 2009**

(54) **COMPUTER CARRYING CASE**

(57) **CLAIM**

(76) Inventors: **Otniel Shor**, 7 Bluebell Rd., Colts Neck, NJ (US) 07722; **Elaine M. Shor**, 7 Bluebell Rd., Colts Neck, NJ (US) 07722

The ornamental design for a computer carrying case, as shown and described.

(\*\*) Term: **14 Years**

**DESCRIPTION**

(21) Appl. No.: **29/301,171**

FIG. 1 is a front elevational view of a computer carrying case showing our new design;

(22) Filed: **Feb. 12, 2008**

FIG. 2 is a rear elevational view thereof;

(51) **LOC (9) Cl.** ..... **03-01**

FIG. 3 is one side elevational view thereof;

(52) **U.S. Cl.** ..... **D3/287; D3/289; D3/900**

FIG. 4 is another side elevational view, thereof

(58) **Field of Classification Search** ..... **D3/273, D3/276, 283, 287, 289-290, 900; 190/100, 190/111, 115-116, 119, 900, 901; 206/320**  
See application file for complete search history.

FIG. 5 is a top plan view thereof;

FIG. 6 is a bottom plan view thereof;

(56) **References Cited**

**U.S. PATENT DOCUMENTS**

FIG. 7 is a front elevational view of the computer carrying case without a strap;

FIG. 8 is a rear elevational view of the computer carrying case of FIG. 7;

|           |     |         |                 |       |         |
|-----------|-----|---------|-----------------|-------|---------|
| 4,825,985 | A * | 5/1989  | Kim             | ..... | 190/111 |
| D399,056  | S * | 10/1998 | Tawil           | ..... | D3/283  |
| D445,252  | S * | 7/2001  | Klamm           | ..... | D3/289  |
| D472,386  | S * | 4/2003  | Bauer           | ..... | D3/290  |
| D548,462  | S * | 8/2007  | Aliberti et al. | ..... | D3/283  |
| D548,965  | S * | 8/2007  | Aliberti et al. | ..... | D3/283  |

FIG. 9 is a side elevational view thereof;

FIG. 10 is another side elevational thereof;

FIG. 11 is a top plan view thereof;

FIG. 12 is a bottom plan view;

FIG. 13 is a detailed view of a part of the computer carrying case showing where two front sections, trimmed with bead, come together; and,

FIG. 14 is a section view according to section line 14—14 of FIG. 13.

\* cited by examiner

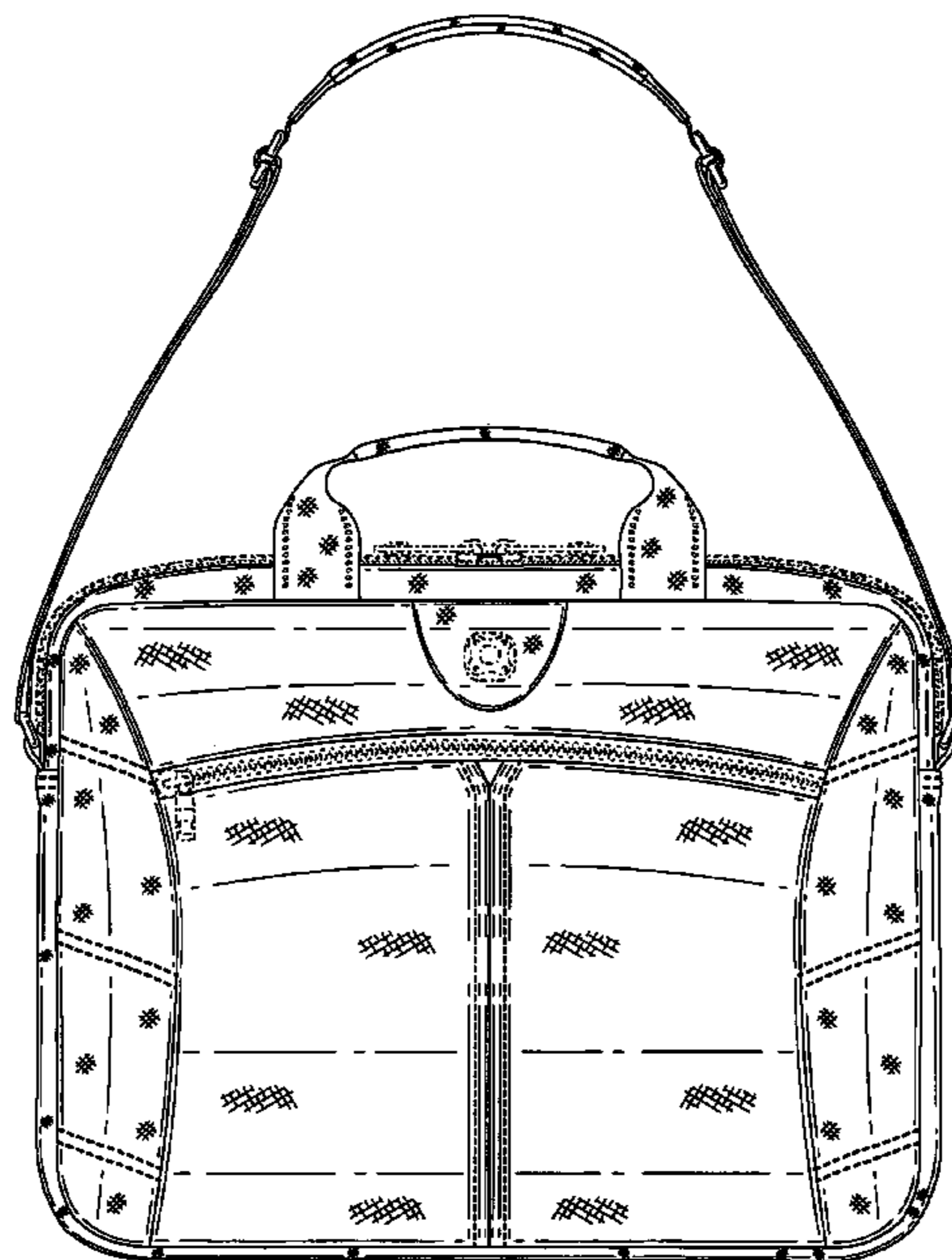
The broken lines running vertically at the center front of the claimed design (see FIGS. 1, 5-7, and 11-14) depict stitching and are part of the claimed design. All other broken lines in the figures are directed to environment and form no part of the claimed design.

*Primary Examiner*—Philip S Hyder

*Assistant Examiner*—Roselynn Cody

(74) *Attorney, Agent, or Firm*—Lawrence G. Fridman

**1 Claim, 8 Drawing Sheets**



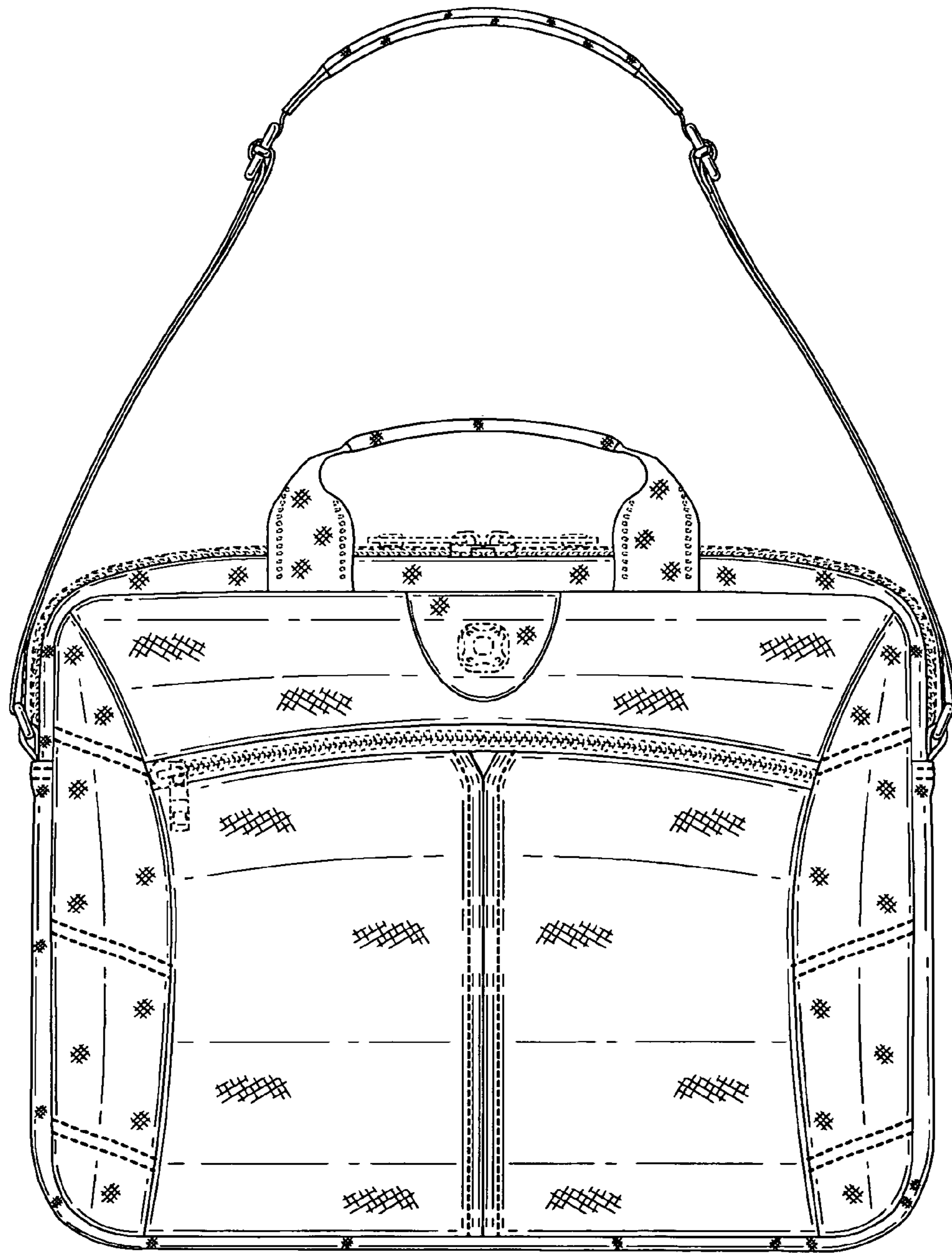


FIG. 1

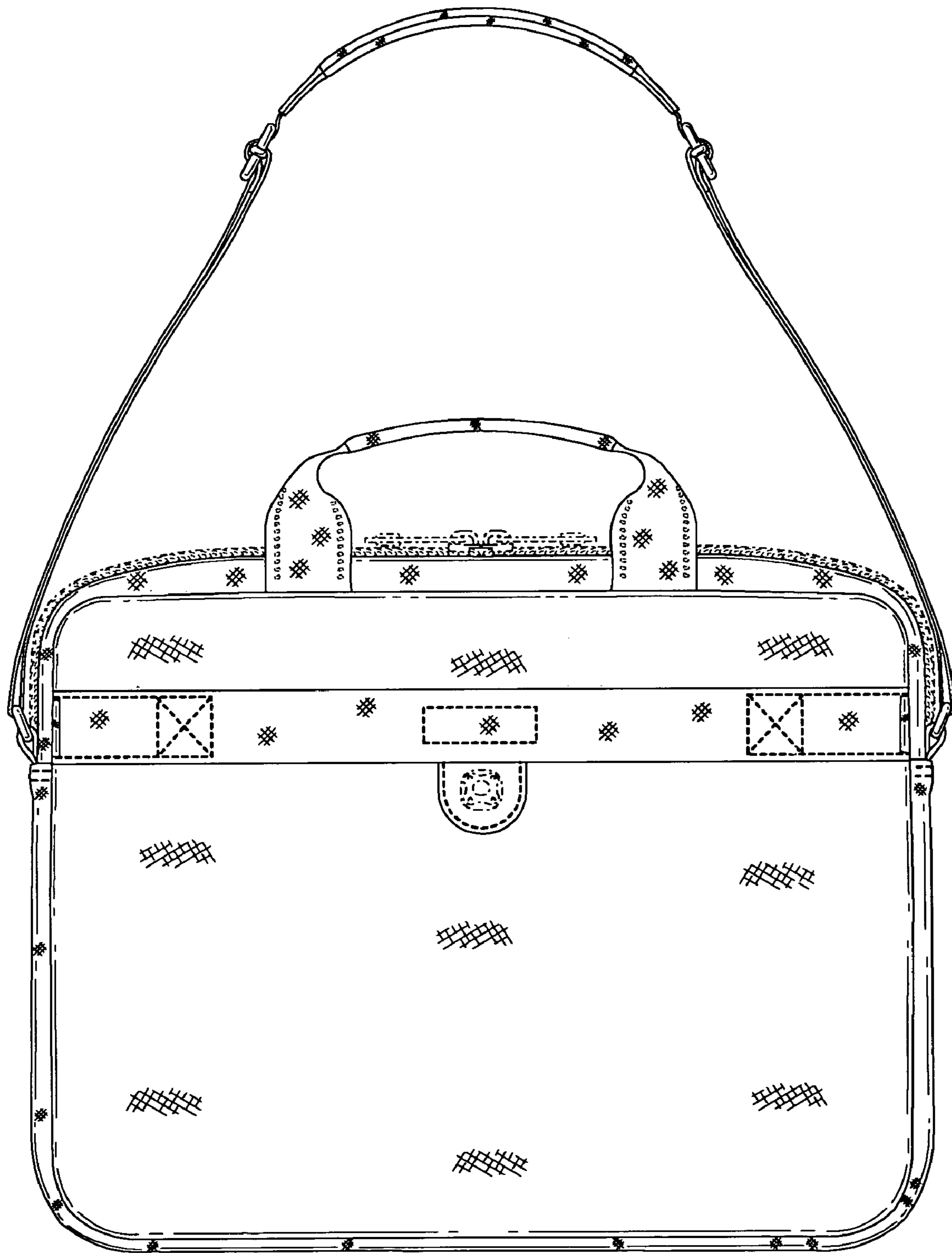


FIG. 2

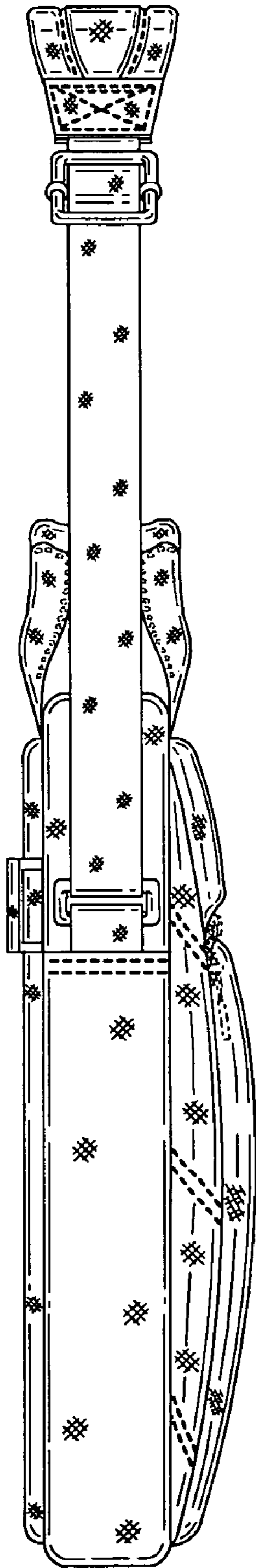


FIG. 3

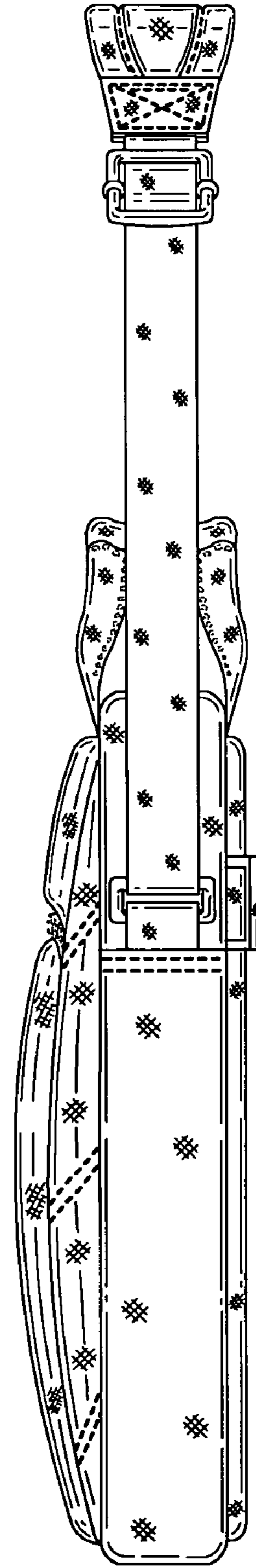


FIG. 4

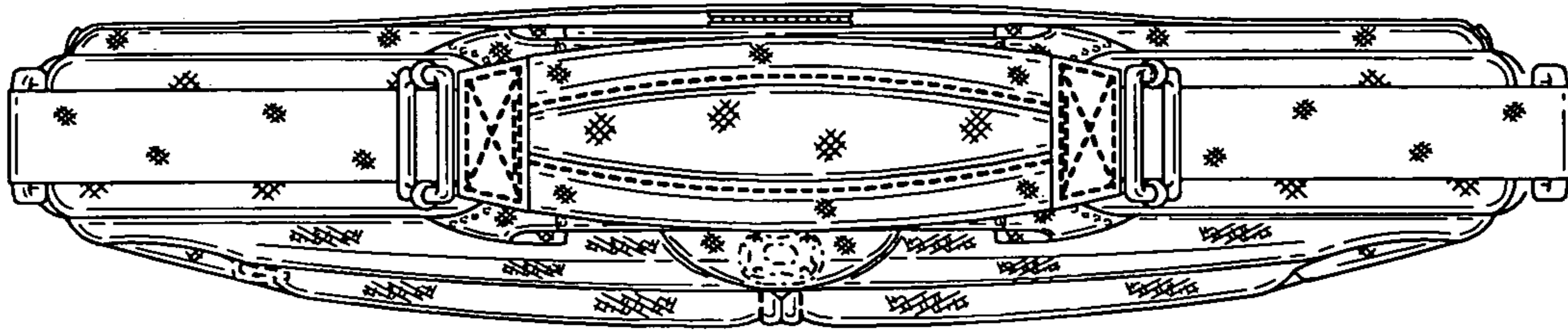


FIG. 5

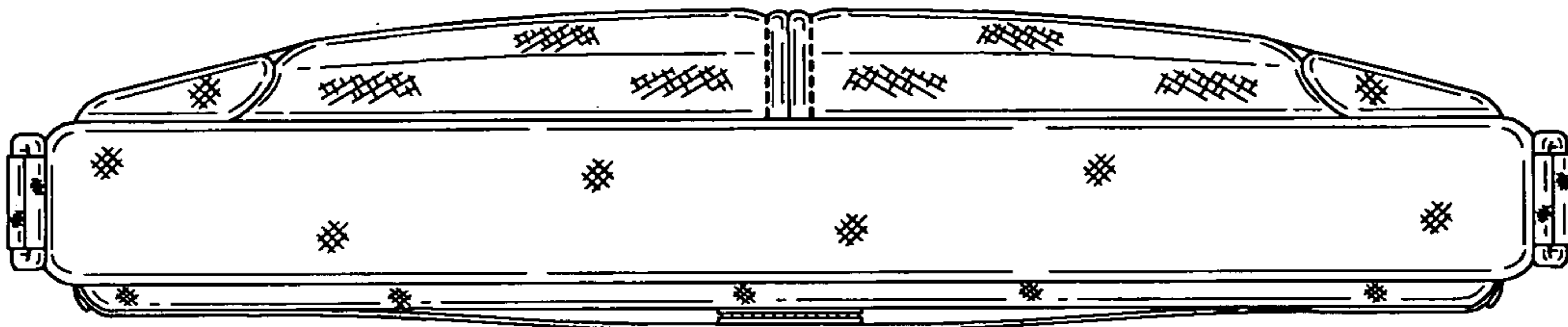


FIG. 6

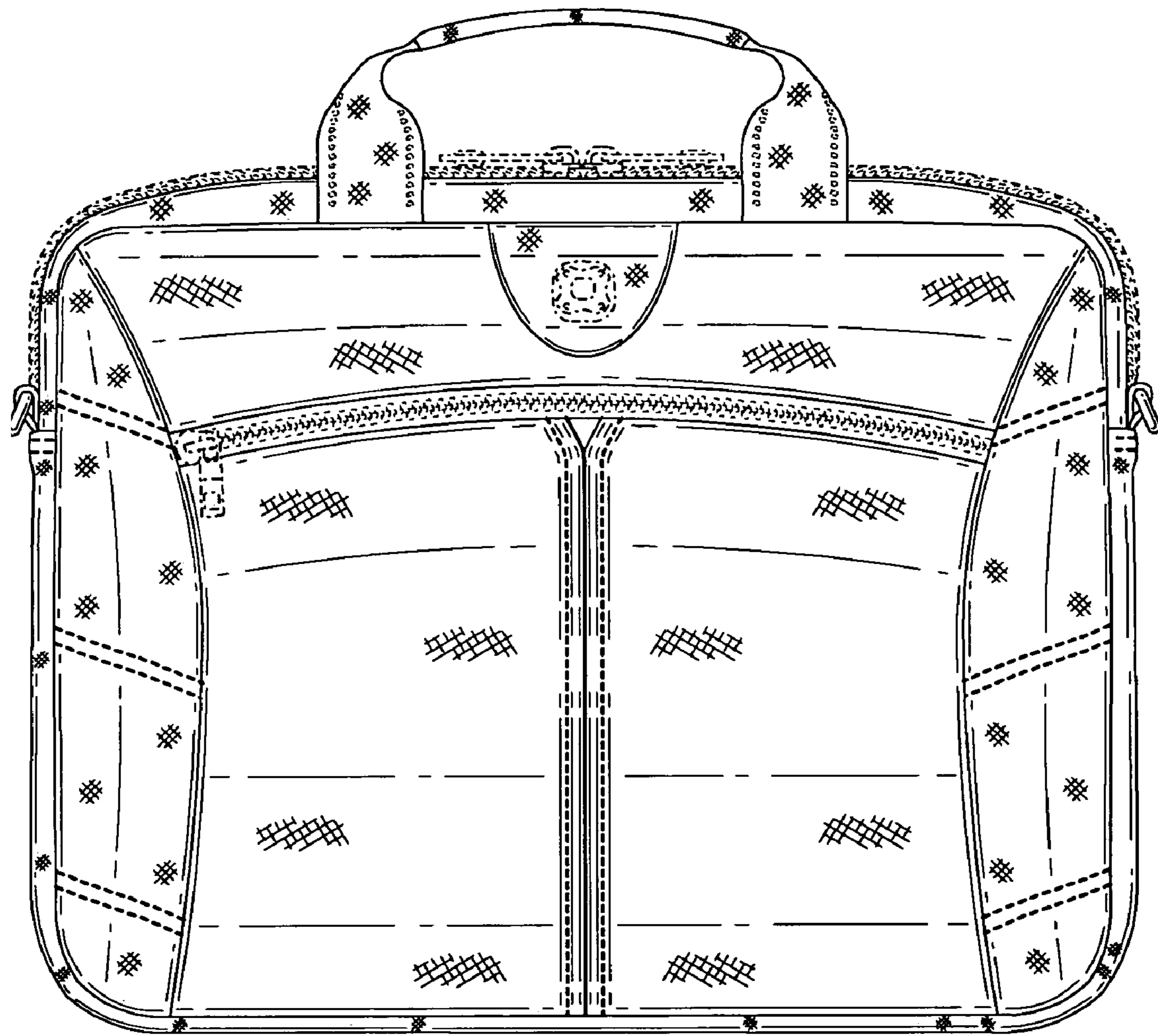


FIG. 7

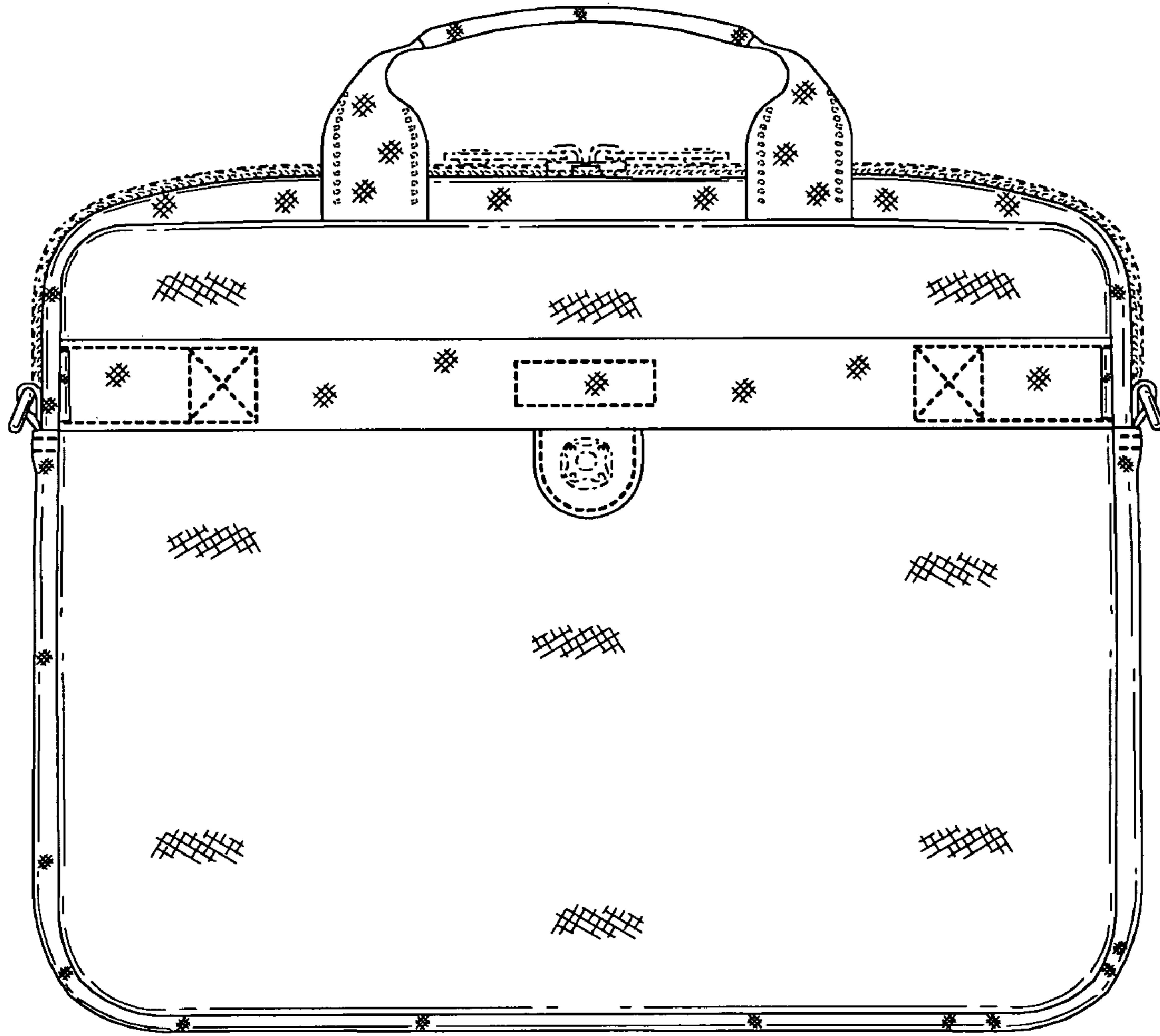


FIG. 8

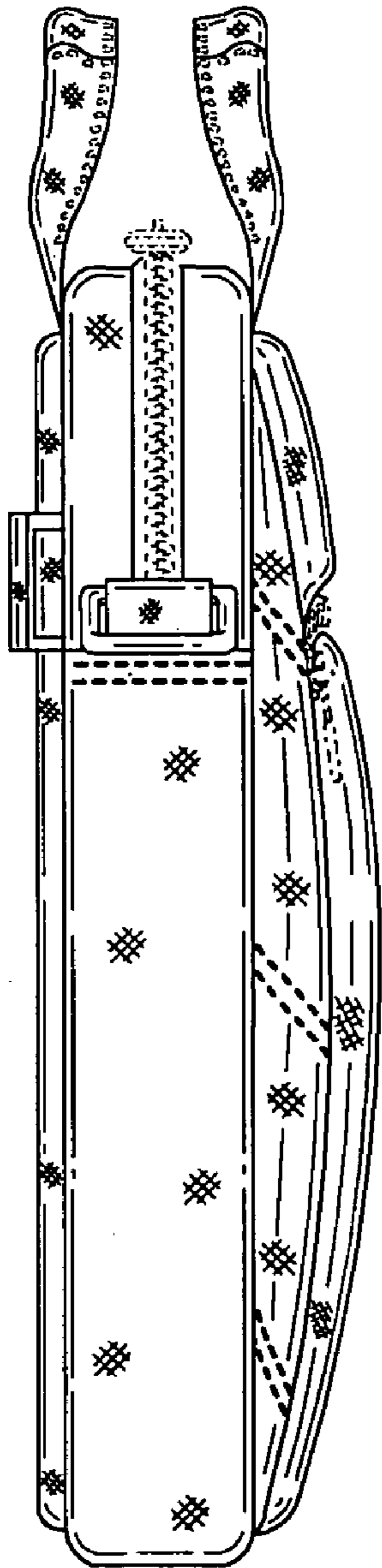


FIG. 9

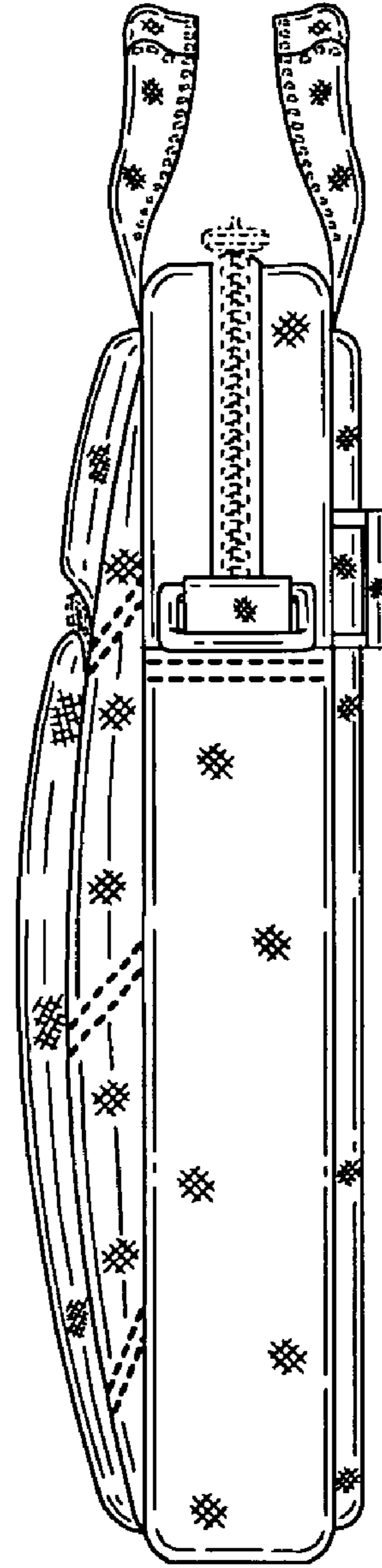


FIG. 10



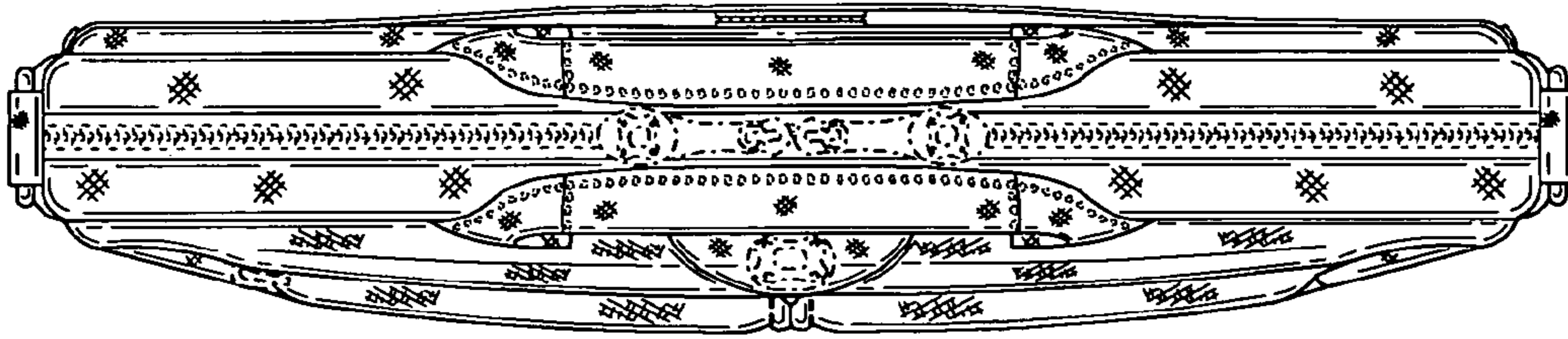


FIG. 11

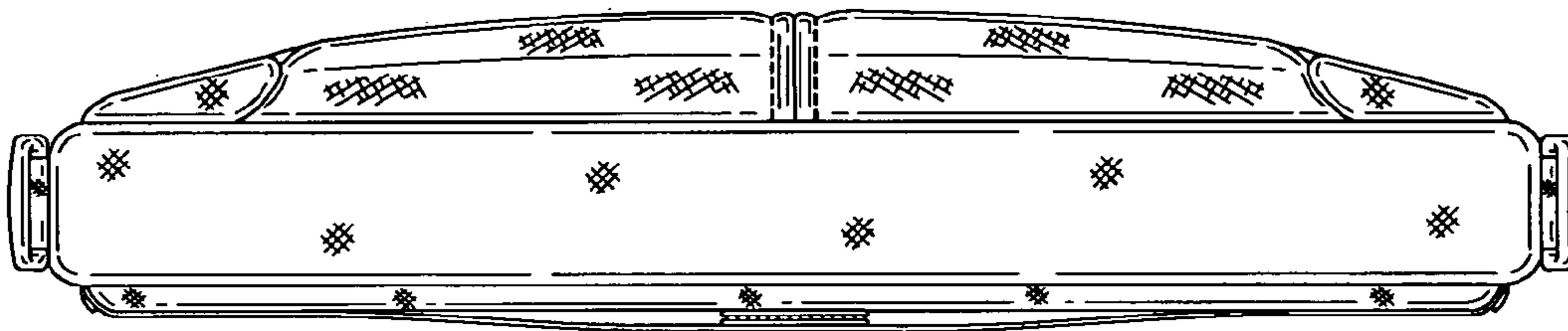


FIG. 12

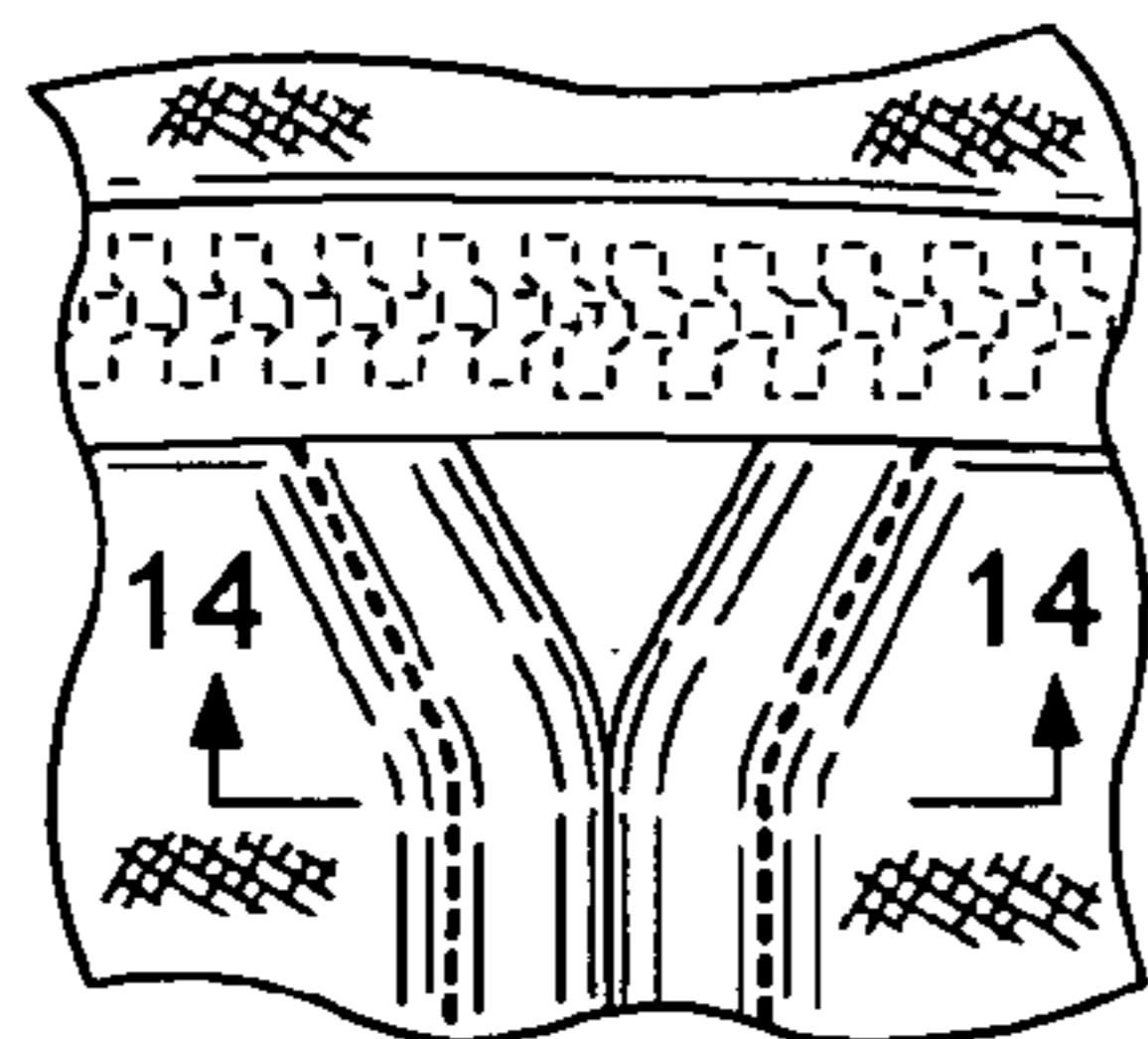


FIG. 13



FIG. 14