



US00D588808S

(12) **United States Design Patent**
DeVito-Ramsay

(10) **Patent No.:** **US D588,808 S**
(45) **Date of Patent:** **** Mar. 24, 2009**

(54) **PURSE WITH BEVERAGE CONTAINER**

6,505,479 B2 * 1/2003 Defelice et al. 62/457.2

(76) Inventor: **Theresa DeVito-Ramsay**, 136 Ocean Ridge Dr., Fernandina Beach, FL (US) 32034

* cited by examiner

Primary Examiner—T. Chase Nelson
Assistant Examiner—Kathleen M Sims

(**) Term: **14 Years**

(57) **CLAIM**

(21) Appl. No.: **29/270,537**

The ornamental design for a purse with beverage container, as shown and described.

(22) Filed: **Dec. 27, 2006**

(51) **LOC (9) Cl.** **03-01**

DESCRIPTION

(52) **U.S. Cl.** **D3/274**

(58) **Field of Classification Search** D3/254,
D3/273, 276, 283–287, 904, 202, 226, 233,
D3/245, 274; D7/605–608; 190/100, 112,
190/115; 62/457.2, 457.3, 457.5, 457.7
See application file for complete search history.

FIG. 1 is a perspective view of the purse of the purse with beverage container showing my new design;

FIG. 2 is a perspective view of the beverage container of the purse with beverage container;

FIG. 3 is a side elevational view of the purse of FIG. 1 with the straps shown in an alternate position;

FIG. 4 is a front elevational view thereof;

FIG. 5 is a top plan view thereof;

FIG. 6 is a top view of the beverage container;

FIG. 7 is a front elevational view thereof; and,

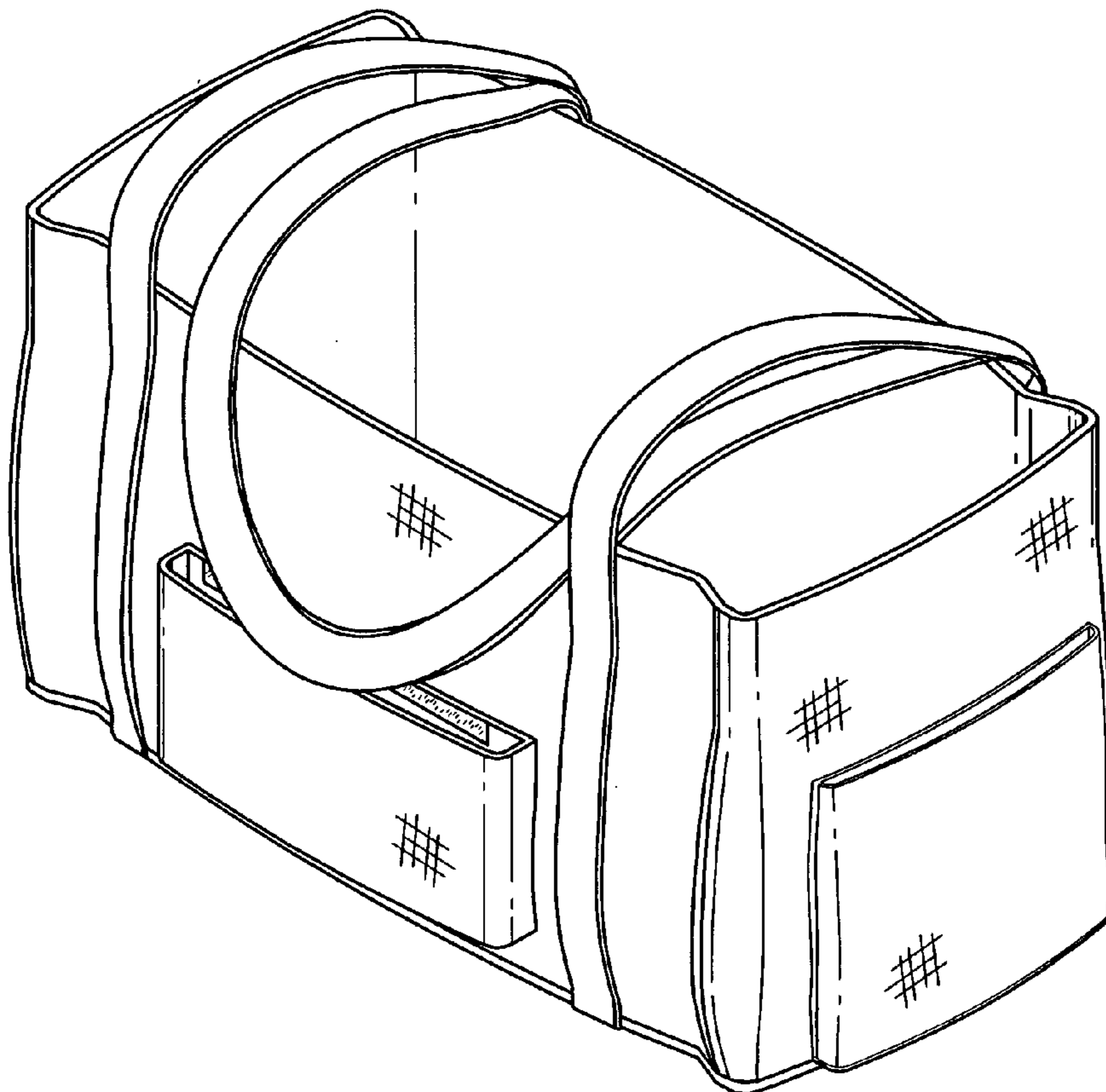
FIG. 8 is a side elevational view thereof.

(56) **References Cited**

U.S. PATENT DOCUMENTS

D254,894 S *	5/1980	Zoland	D7/607
D266,034 S *	9/1982	Zoland	D3/274
4,463,789 A *	8/1984	Leiserson	383/97
D336,218 S *	6/1993	Hague	D7/701
5,749,447 A	5/1998	Hersh et al.		
6,183,133 B1	2/2001	Roegner		

1 Claim, 5 Drawing Sheets



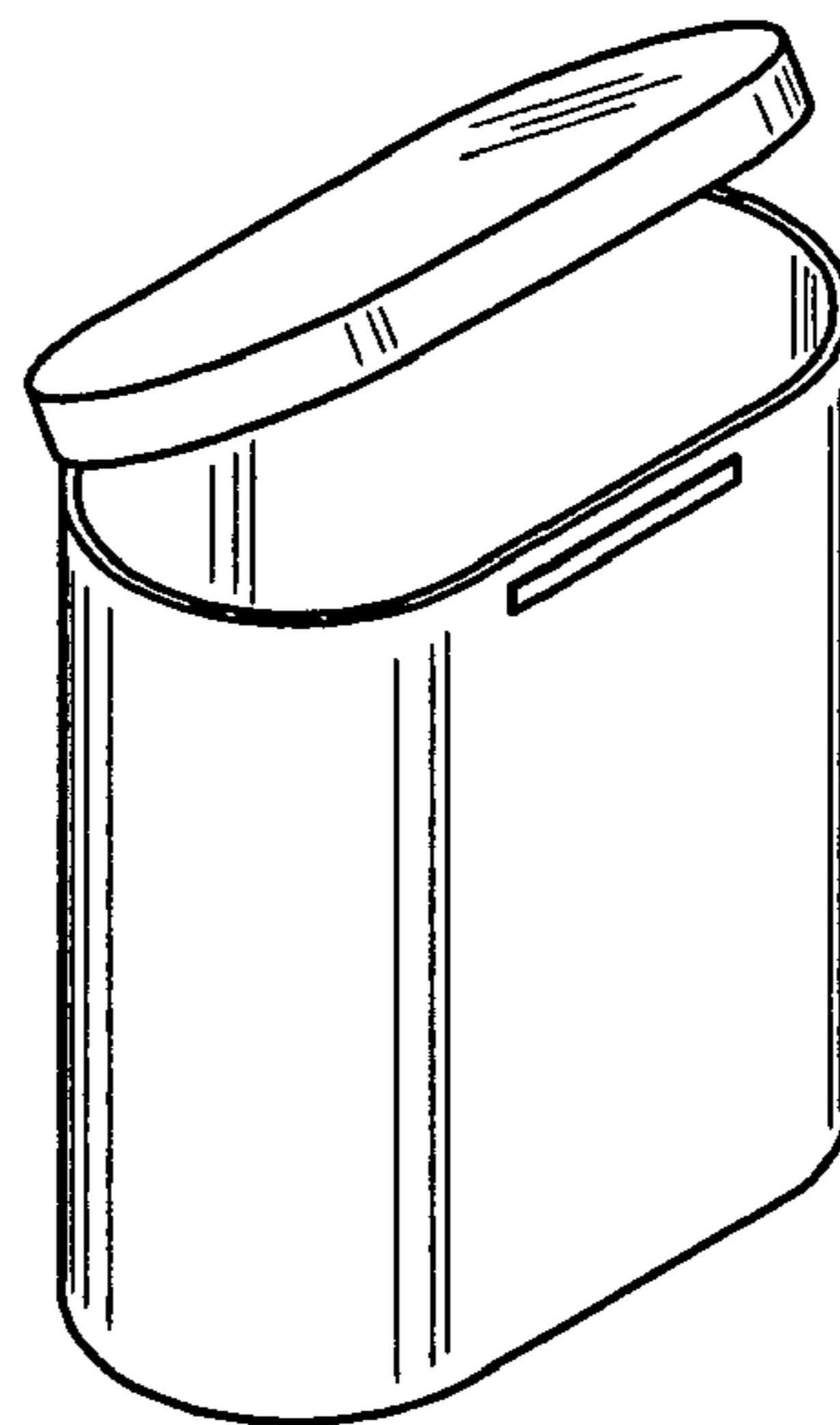


FIG. 2

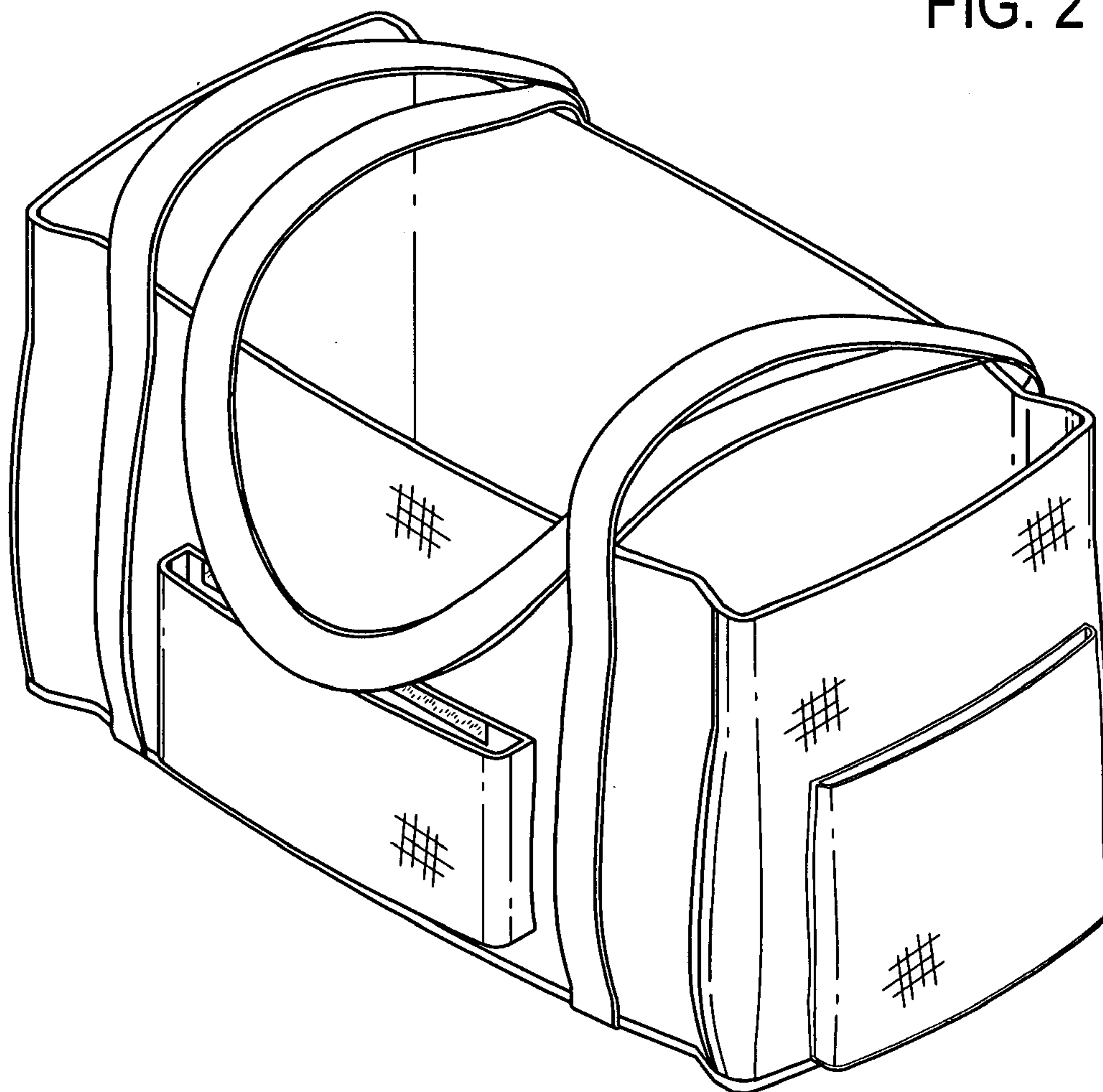


FIG. 1

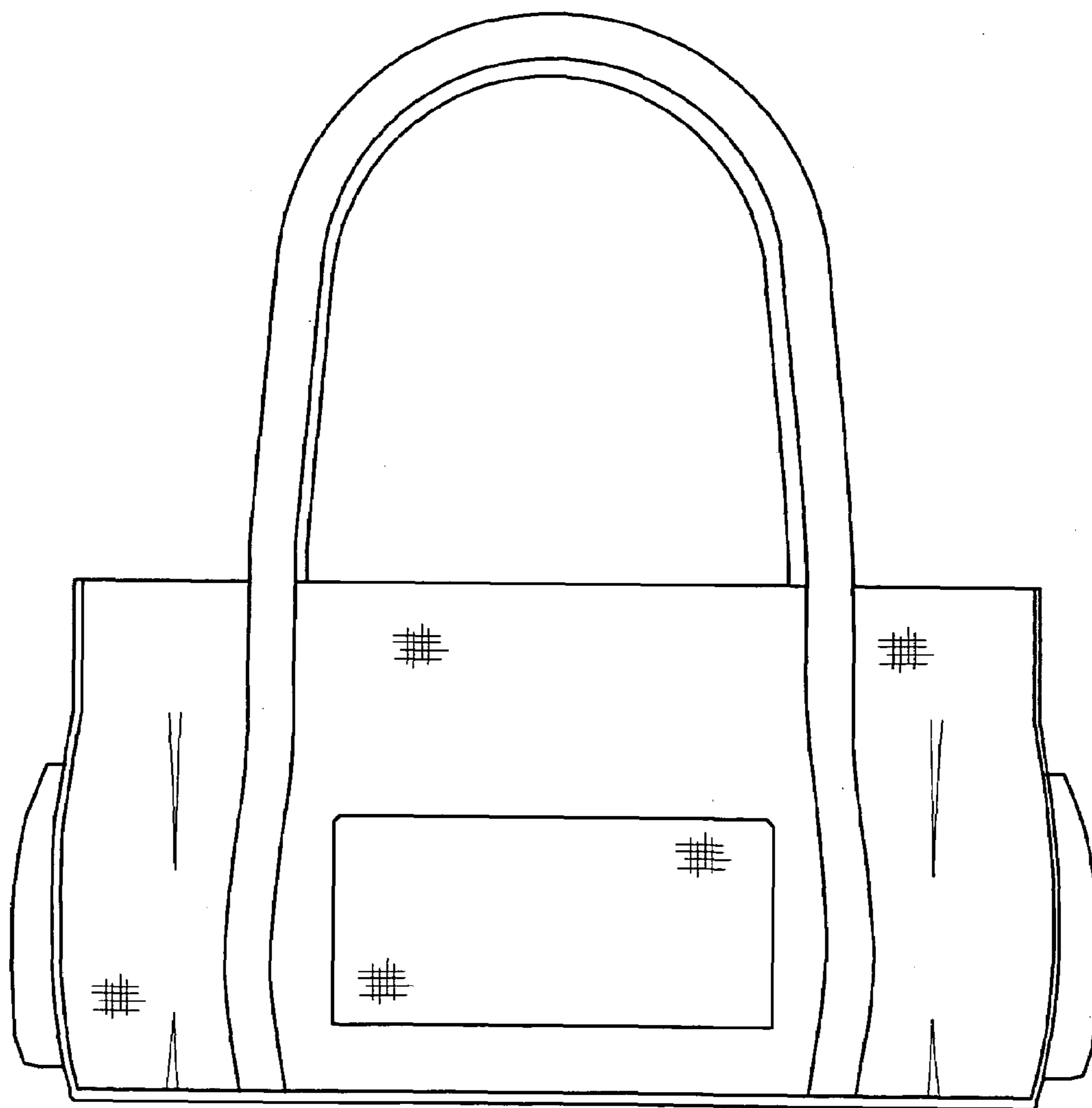


FIG. 3

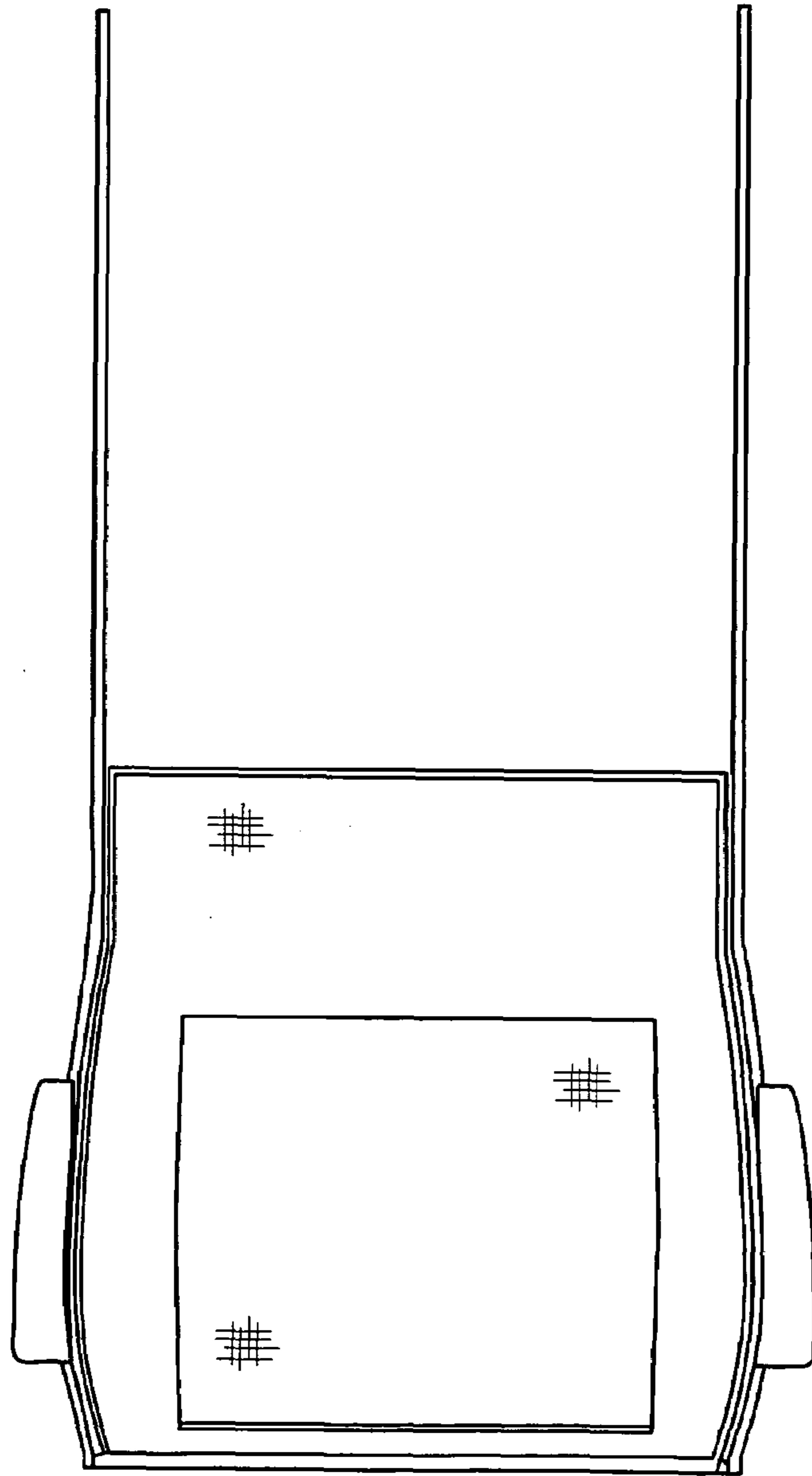


FIG. 4

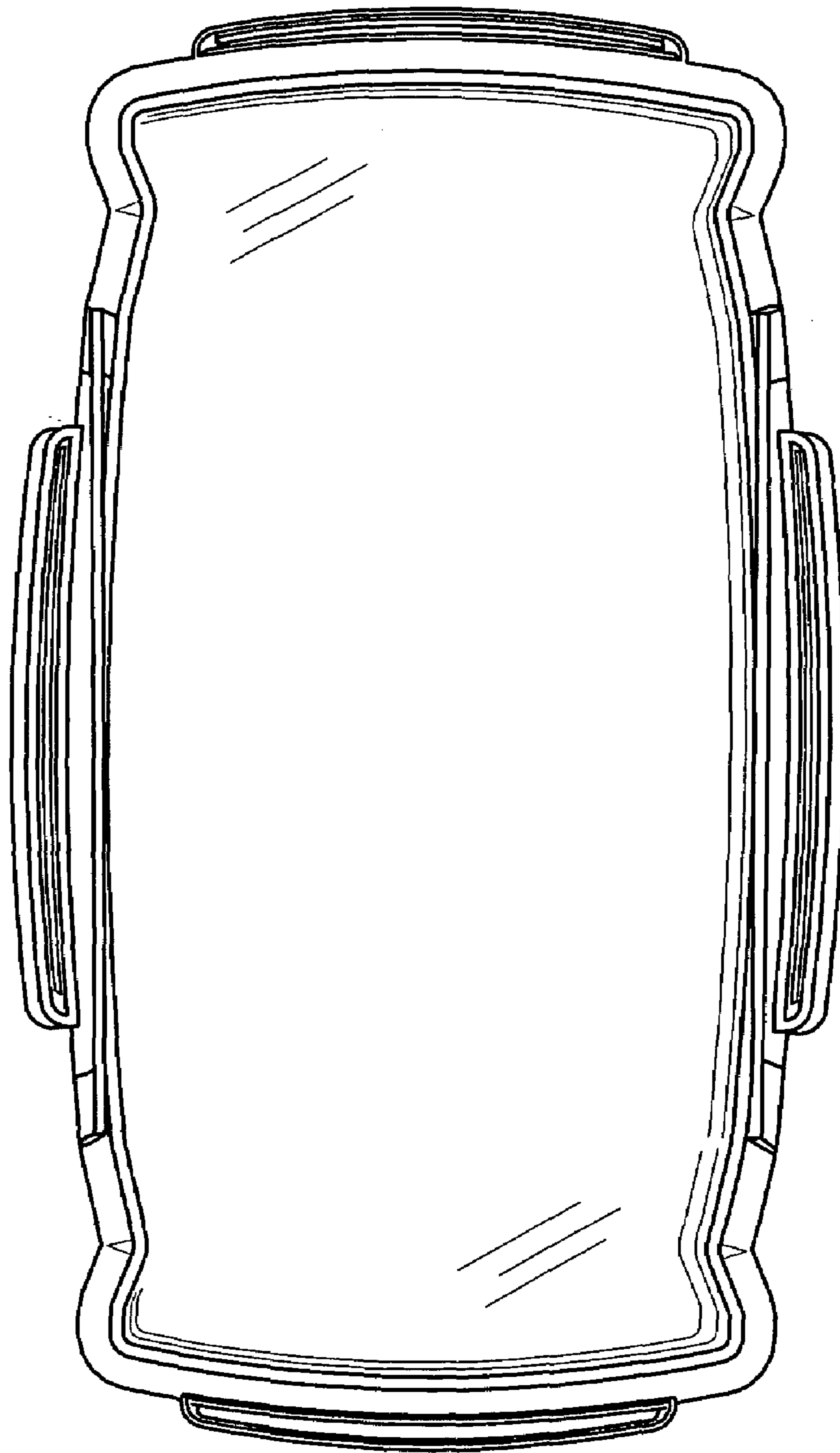


FIG. 5

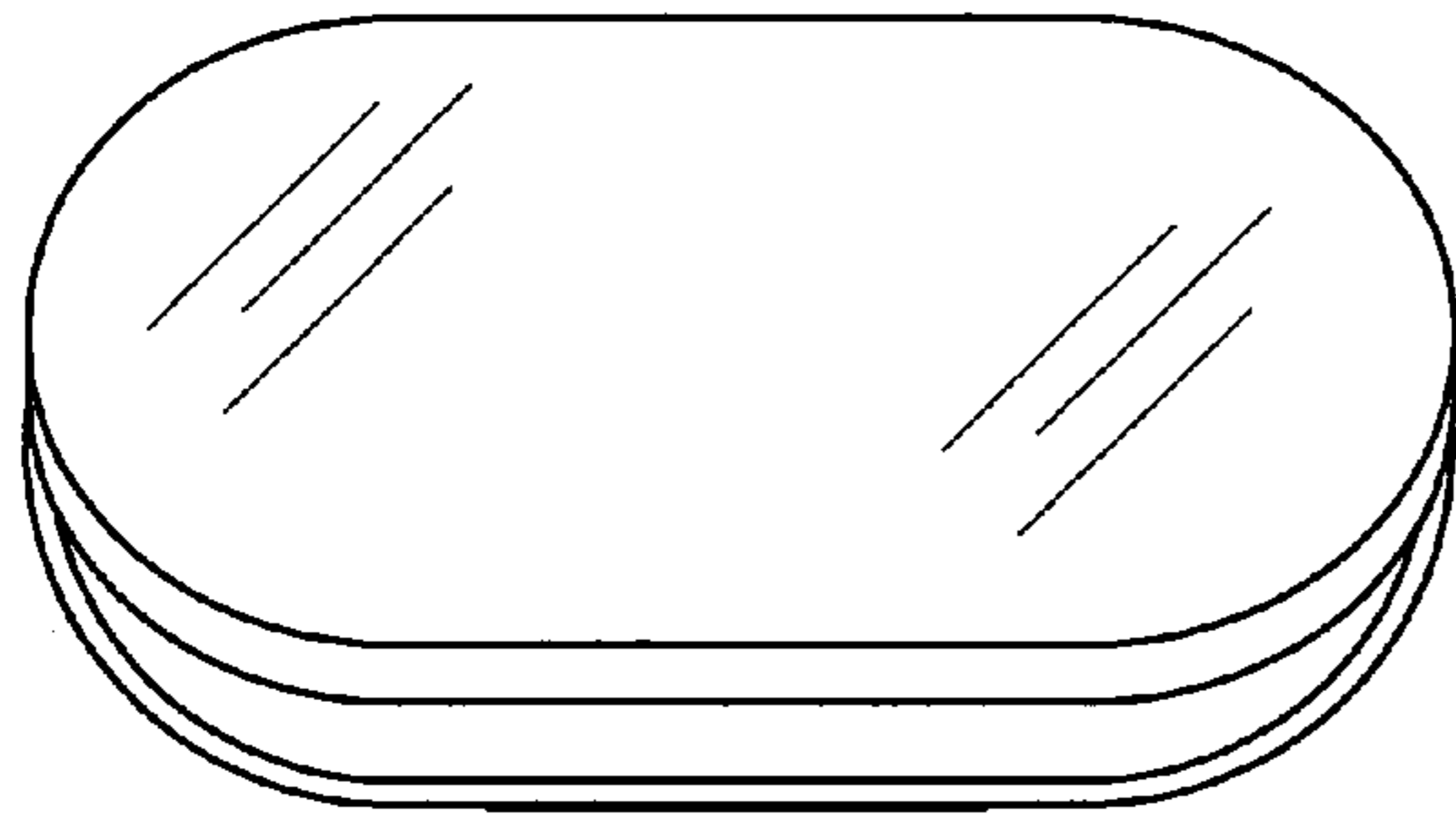


FIG. 6

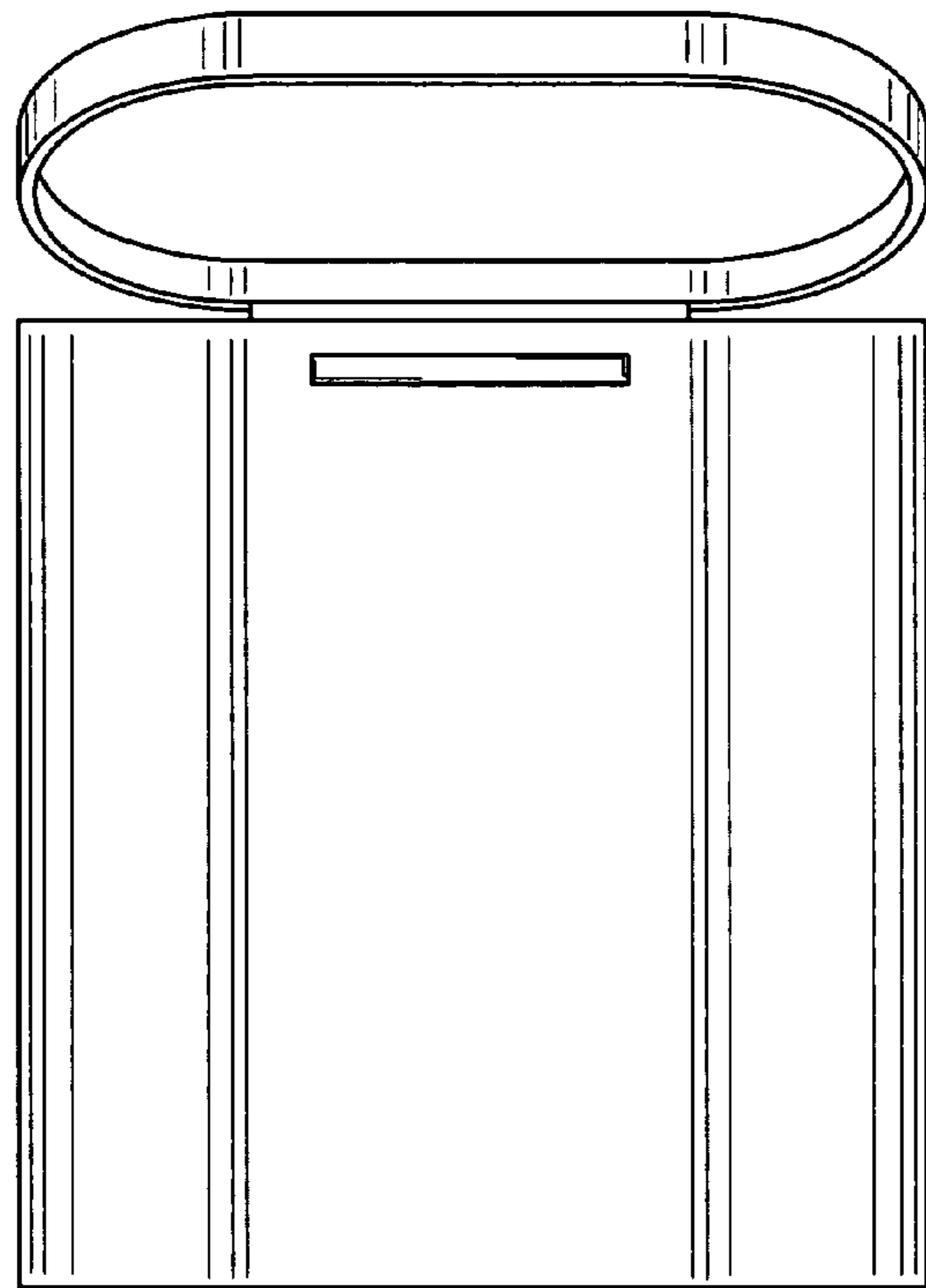


FIG. 7

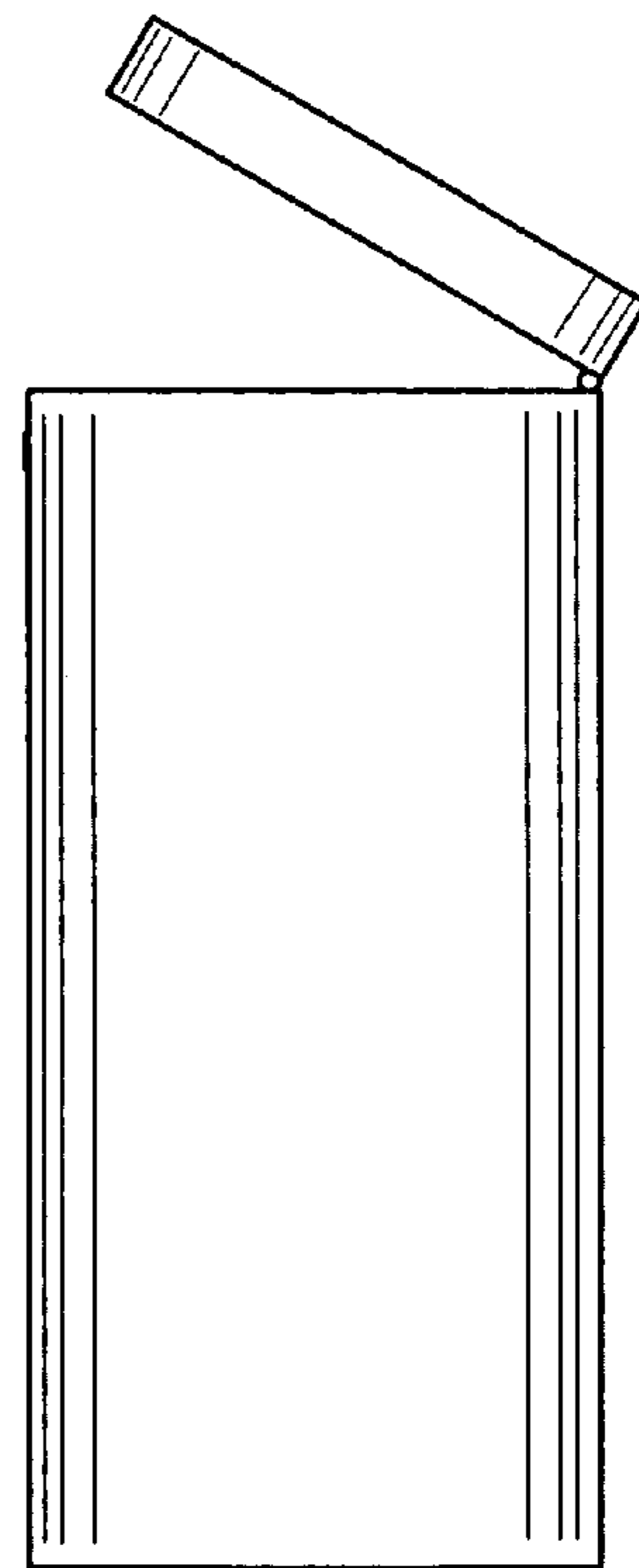


FIG. 8