

US00D588794S

(12) **United States Design Patent**
Koshiishi

(10) **Patent No.:** **US D588,794 S**
(45) **Date of Patent:** **** Mar. 24, 2009**

(54) **WALKING SUPPORT SYSTEM**

(75) Inventor: **Takeshi Koshiishi**, Saitama (JP)

(73) Assignee: **Honda Motor Co., Ltd.**, Tokyo (JP)

(**) Term: **14 Years**

(21) Appl. No.: **29/296,600**

(22) Filed: **Oct. 24, 2007**

(30) **Foreign Application Priority Data**

Apr. 27, 2007 (JP) 2007-011543

(51) **LOC (9) Cl.** **03-03**

(52) **U.S. Cl.** **D3/7; D12/130**

(58) **Field of Classification Search** D12/128-133;
280/62, 647-650, 29, 200, 47.38, 35, 250.1,
280/259, 642, 658; 296/65.03, 65.04; 135/65-67,
135/74; D3/5, 7, 10, 17; D24/188
See application file for complete search history.

(56) **References Cited**

U.S. PATENT DOCUMENTS

420,179	A *	1/1890	Yagn	482/51
438,830	A *	10/1890	Yagn	482/77
440,684	A *	11/1890	Yagn	482/51
2,010,482	A *	8/1935	Cobb	623/31
D261,022	S *	9/1981	Hoskins	D21/771
4,872,665	A *	10/1989	Chaireire	482/51

5,020,790	A *	6/1991	Beard et al.	482/4
6,666,796	B1 *	12/2003	MacCready, Jr.	482/51
D572,464	S *	7/2008	Koshiishi	D3/7
D577,188	S *	9/2008	Koshiishi	D3/7
D577,903	S *	10/2008	Koshiishi	D3/10
D577,919	S *	10/2008	Koshiishi	D6/354
2006/0276728	A1 *	12/2006	Ashihara et al.	601/5

* cited by examiner

Primary Examiner—Ian Simmons

Assistant Examiner—Charles D Hanson

(74) *Attorney, Agent, or Firm*—Westerman, Hattori, Daniels & Adrian, LLP.

(57) **CLAIM**

The ornamental design for, a walking support system, as shown and described.

DESCRIPTION

FIG. 1 is a first perspective view of a walking support system, showing our new design;

FIG. 2 is a second perspective view thereof;

FIG. 3 is a front elevation view thereof;

FIG. 4 is a rear elevation view thereof;

FIG. 5 is a top plan view thereof;

FIG. 6 is a right side elevation view thereof; and,

FIG. 7 is a left side elevation view thereof.

1 Claim, 7 Drawing Sheets

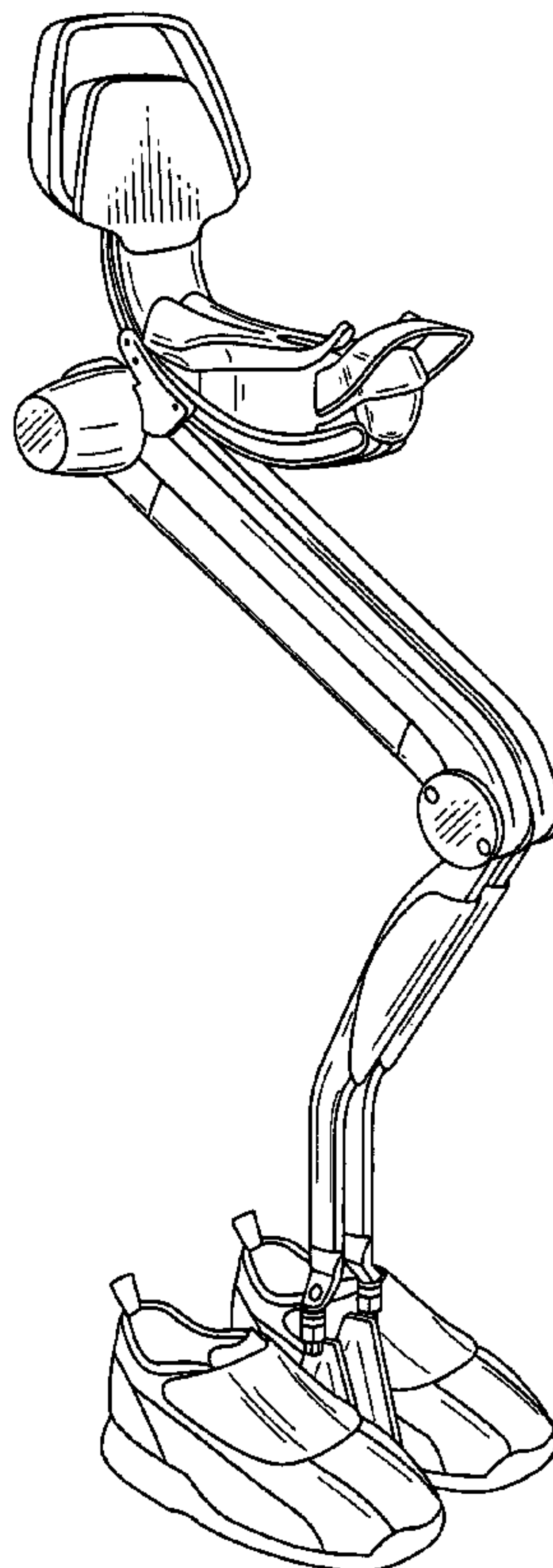


FIG. 1

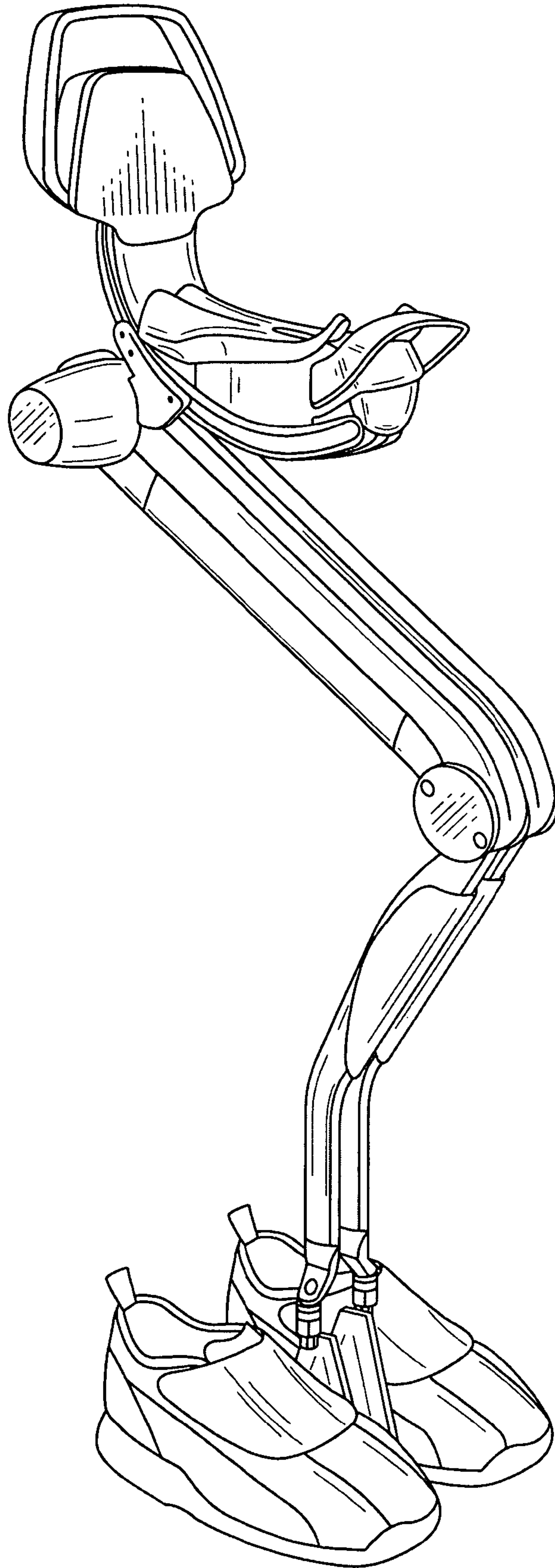


FIG. 2

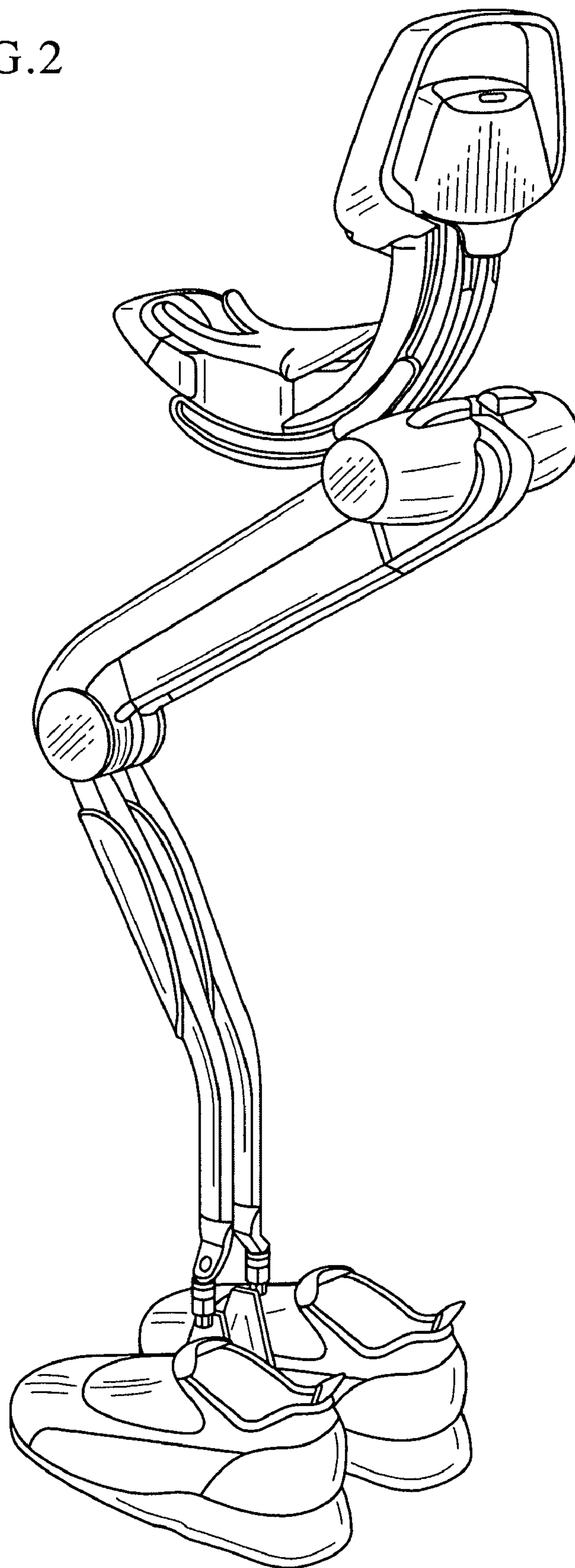


FIG. 3

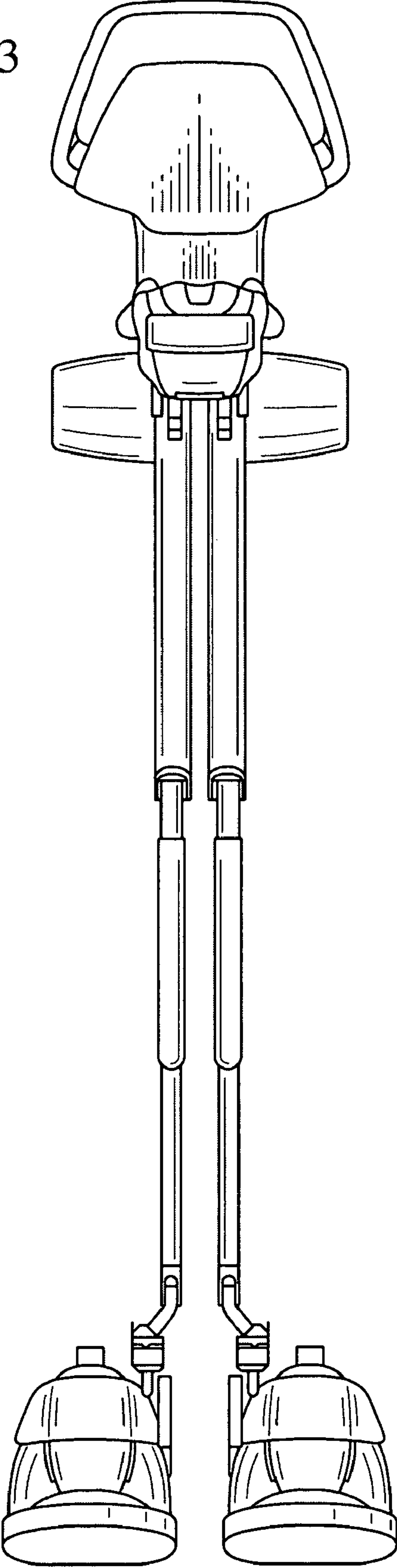


FIG.4

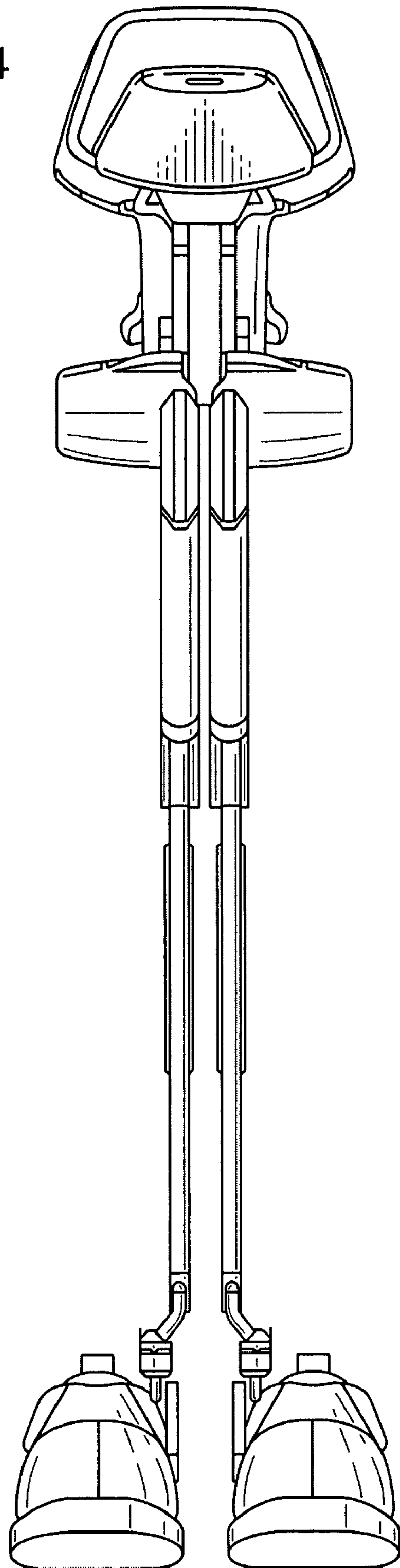


FIG.5

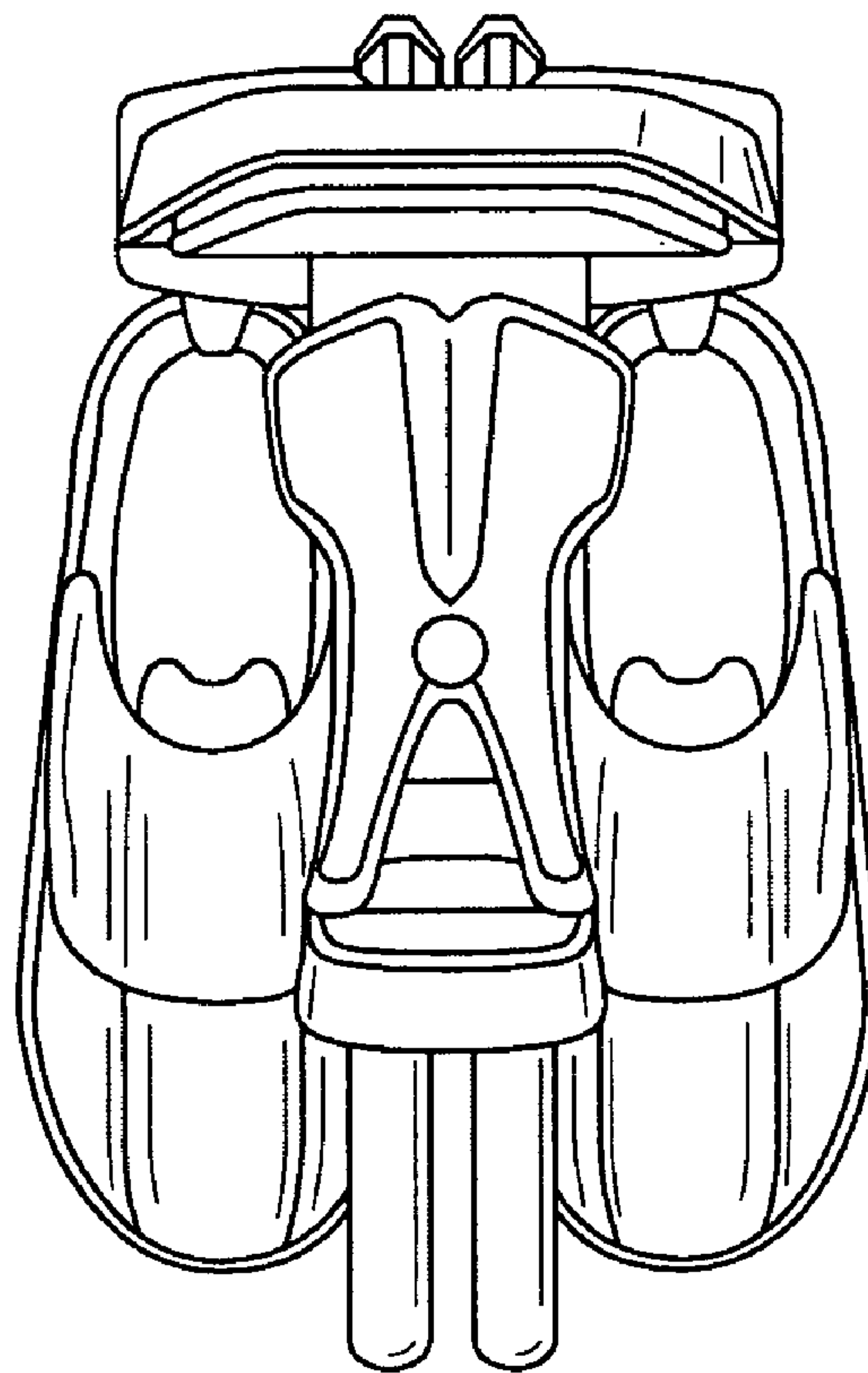


FIG. 6

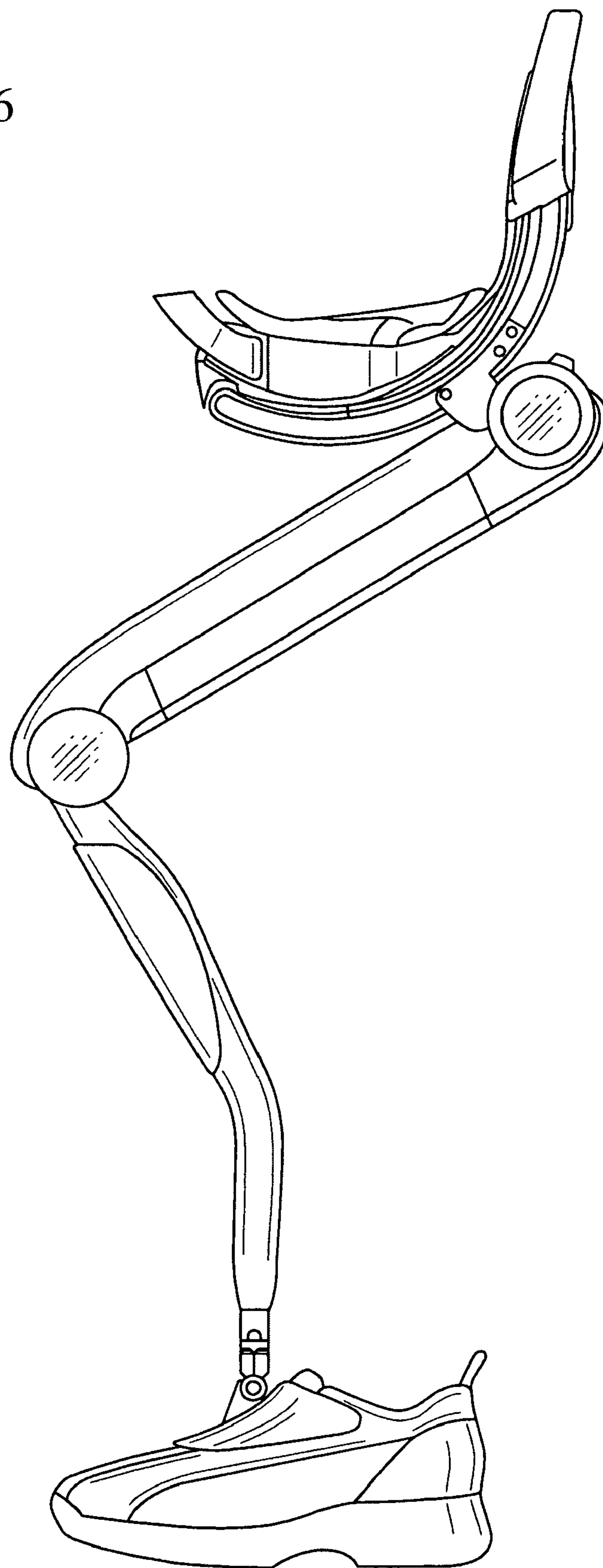


FIG. 7

